

AP-TSS10, AP-LT10

高強度電流(32A)、高溫(125°C) 墊片/電源端子、PCB SMT端子，
使用SMT和M3(8.00毫米)螺絲即可輕鬆操作

Product Specifications:

Product name	AP-TSS10 / AP-LT10	
Parts number and name	3782-0002 (AP-TSS10)	
	3571-0081-04T (AP-LT10)	
Size (mm)	Height (mm)	8.00 mm (AP-TSS10) 1.00 mm (AP-LT10)
	Width (mm)	Ø7.00 ± 0.10 mm (AP-TSS10) Ø8.20 ± 0.10 mm (AP-LT10)
Mating Type	Vertical (M3 thread screw)	
Plating Type	Sn / Ni plating	
Packing standard	EMBOSS	

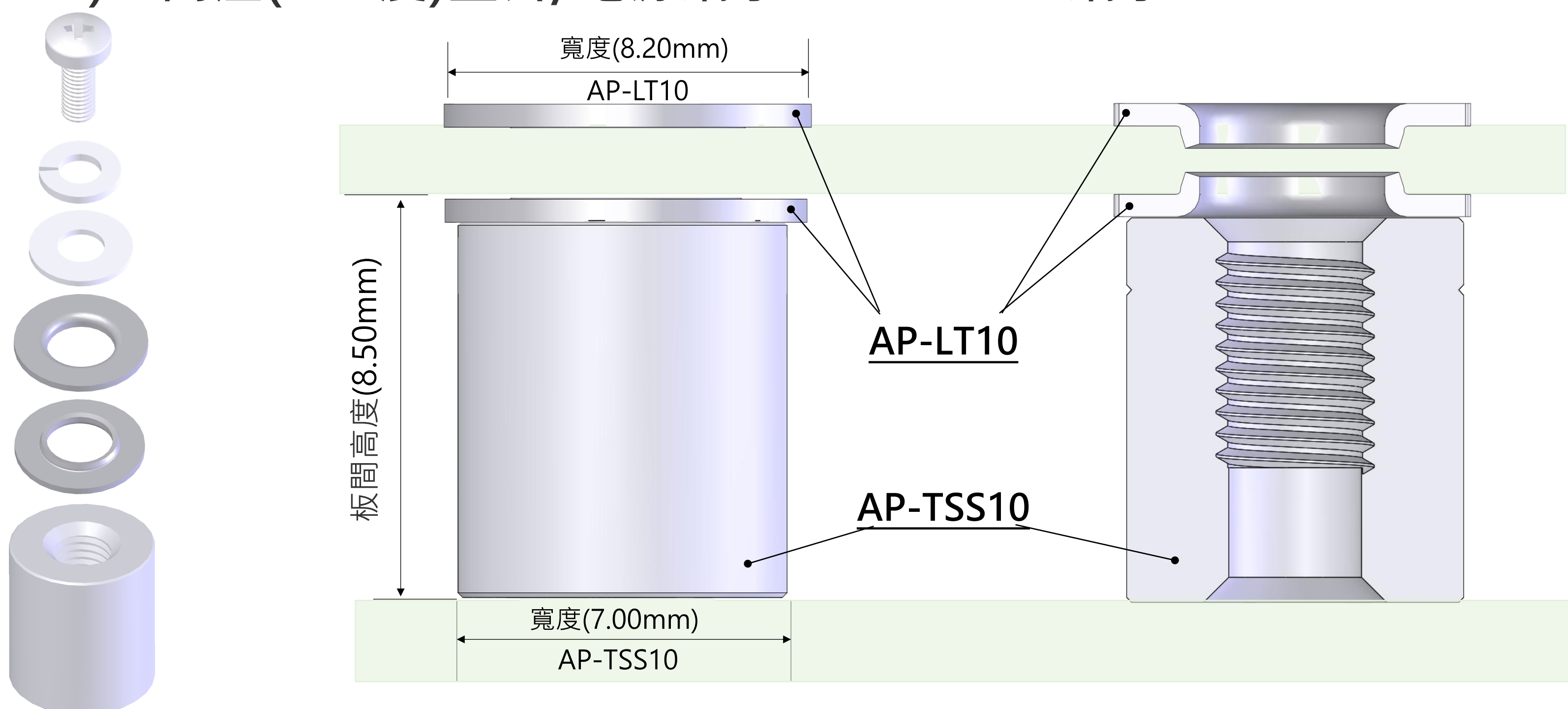
*關於高度範圍、尺寸和電流強度，請您諮詢我們

Product Specifications:

Amperage	32A DC
Operating Temperature	-40 - 125°C
Contact resistance	1.0 mΩ Max.



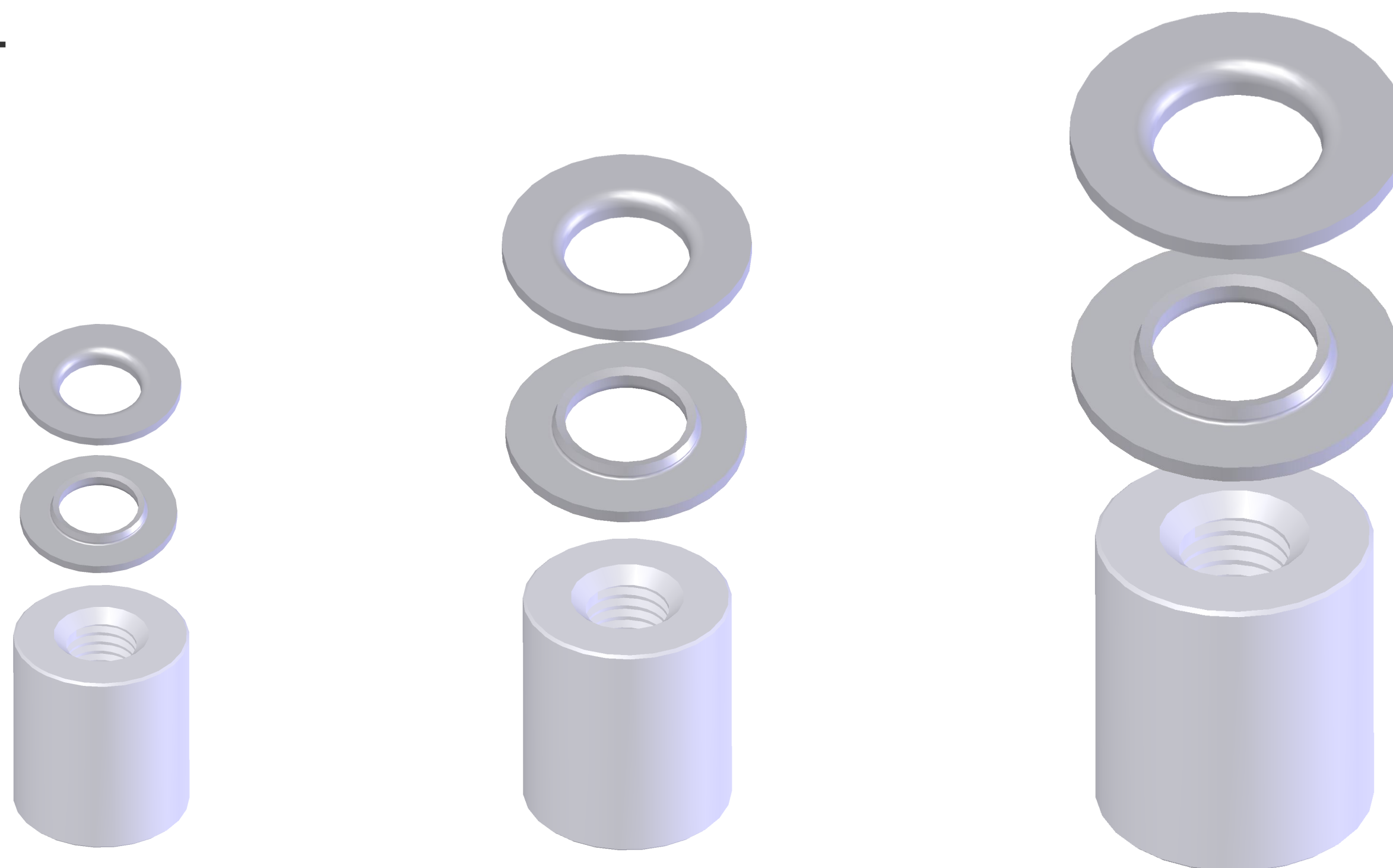
▶ 高強度電流(32A)、高溫(125度)墊片/電源端子、PCB SMT端子



▶ 減輕連接器重量，更利於反向180度的情況下進行第二次打件，有助於更靈活的SMT設計

	連接器結構	第一次回熔焊接	第二次反向回熔焊接
黃銅	<p>材質 黃銅：重量 8.5</p> <p>鍍層 鍍 跨鍍 鍍錫</p>		
鋁	<p>材質 鋁：重量 2.8</p> <p>鍍層 鍍 跨鍍 鍍錫</p> <p>重量比： 下降了67%</p>		

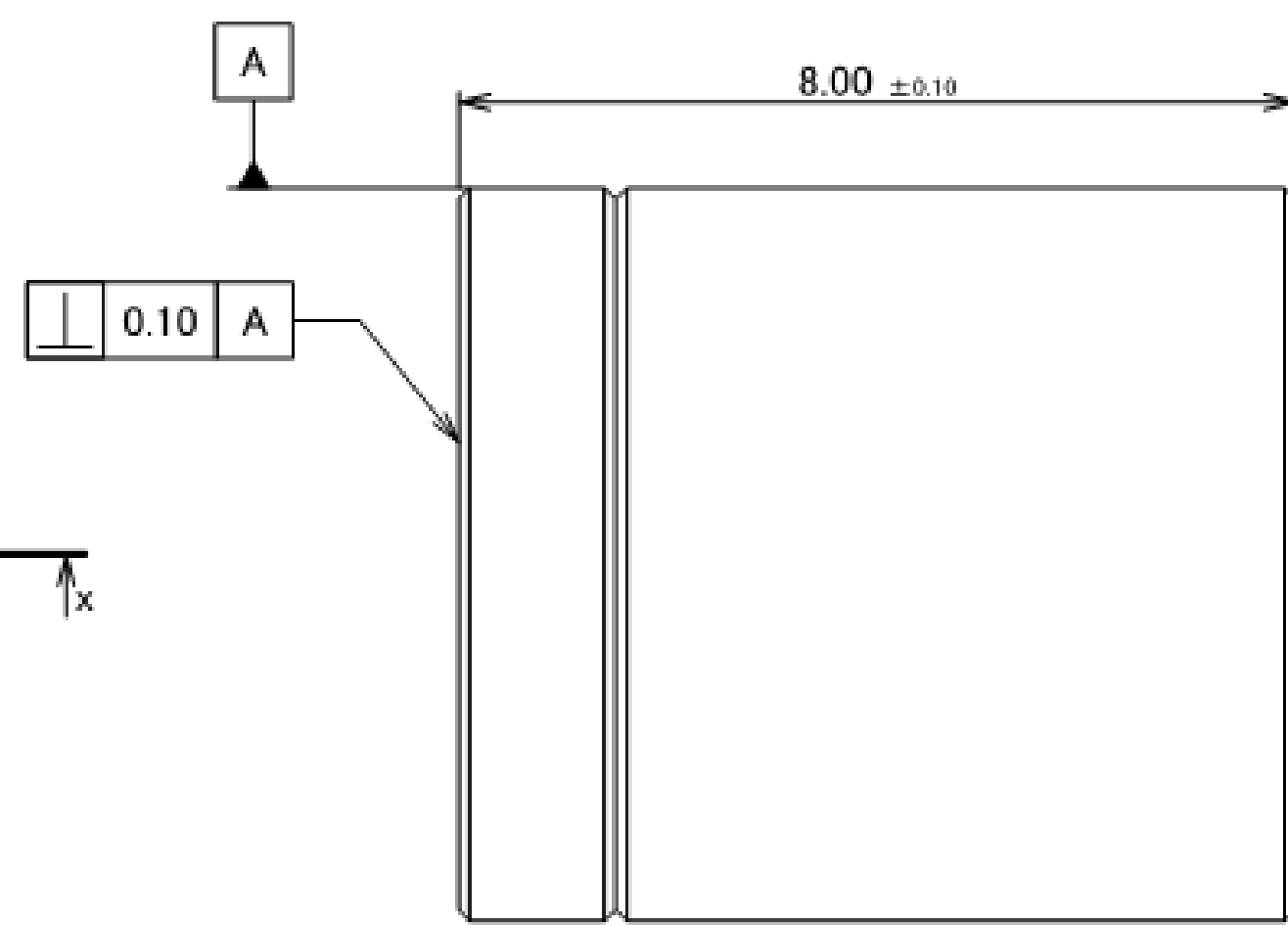
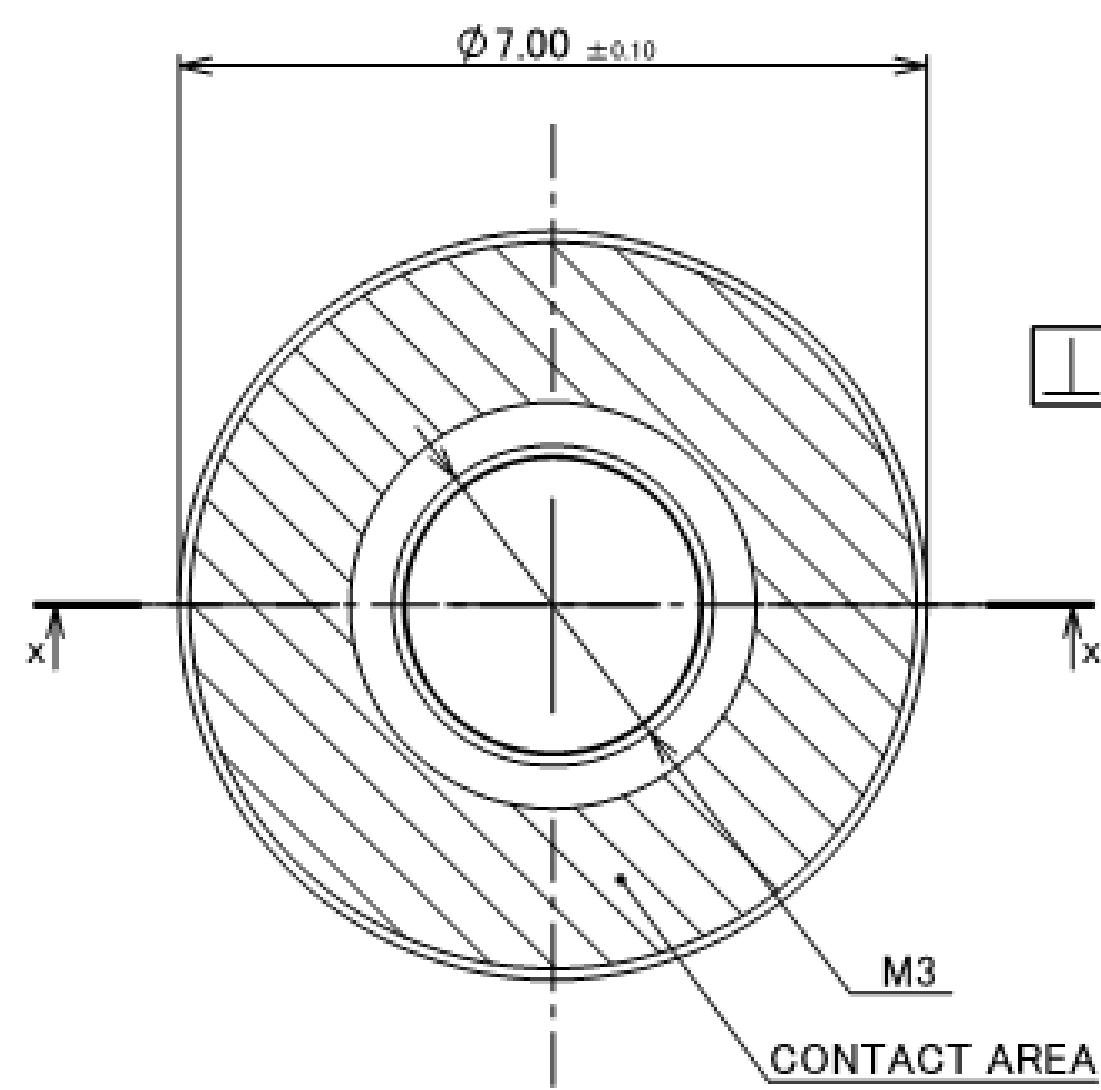
▶ 可依要求提供特殊尺寸



Component Parts Details

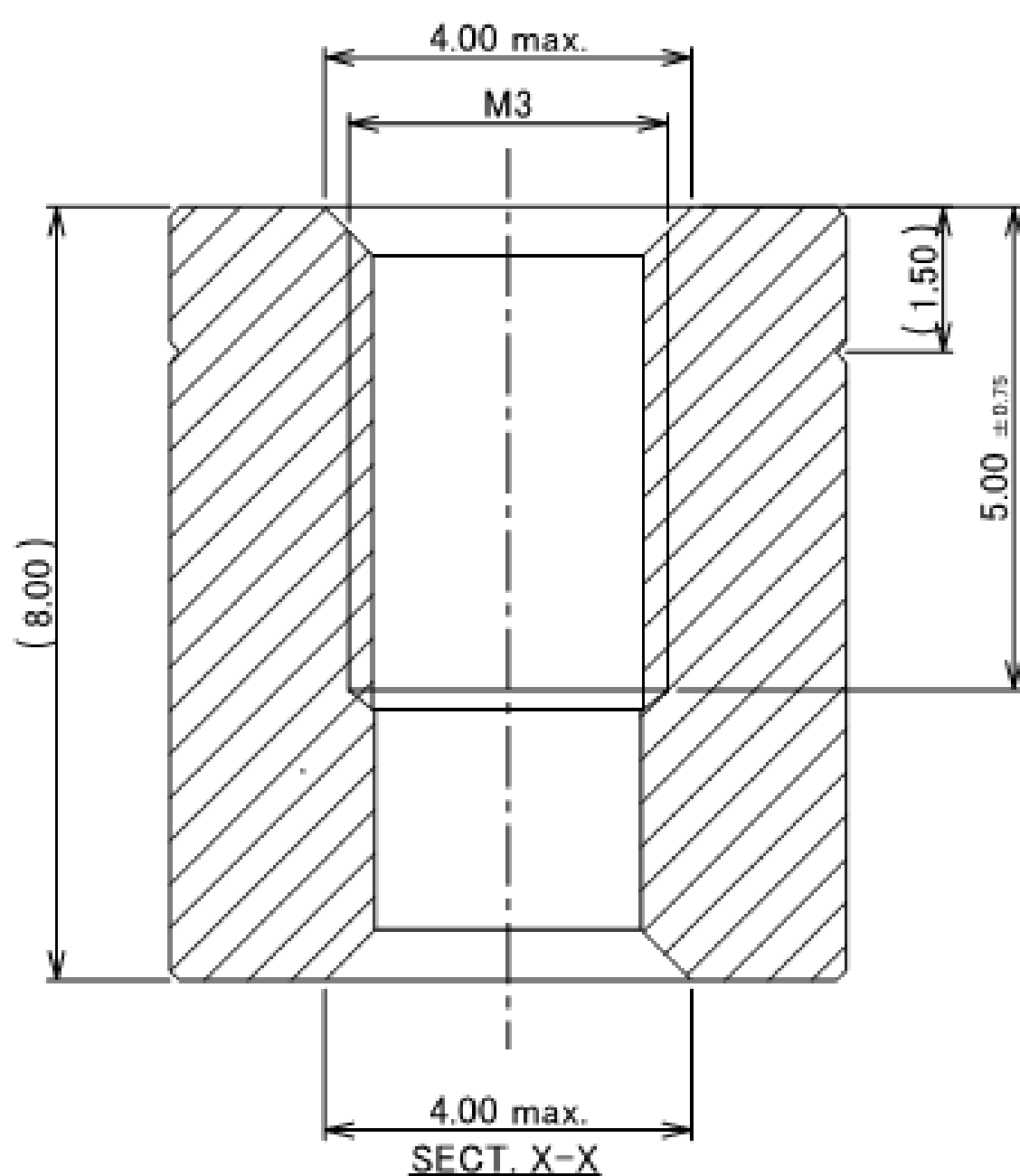
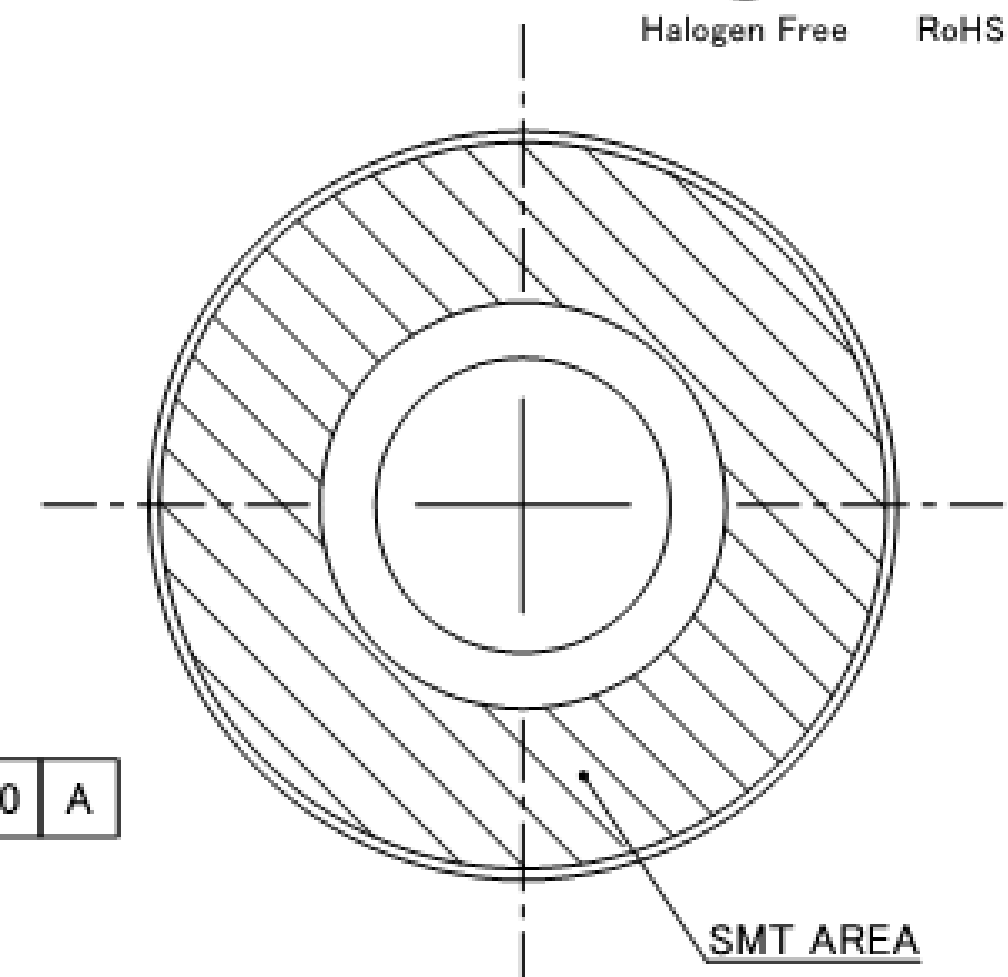
AP-TSS10

Recommended P/N	3782-0002
PART No.	3782-0002



IATF 16949 Certified

HF Halogen Free
RoHS Compliant

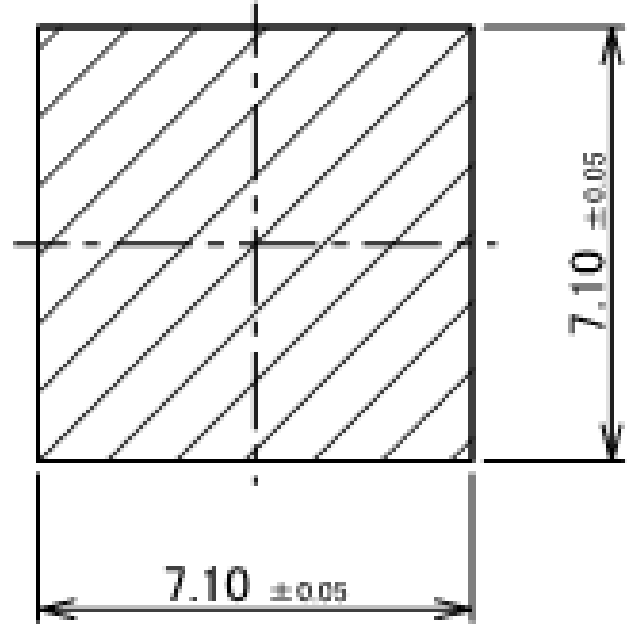


NOTES.
1. APPLICABLE CONNECTOR
AP-LT10 (P/N: 3571-0081-04T)

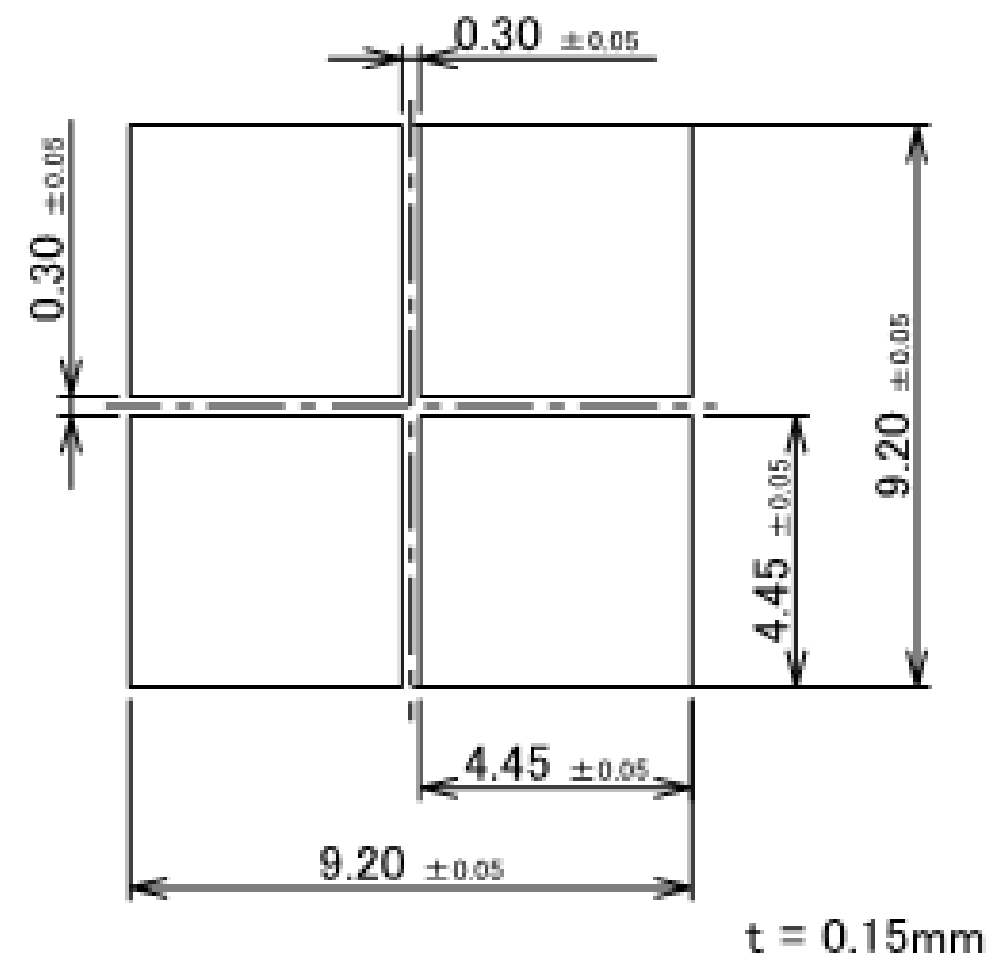
NO.	DESCRIPTION	MATERIAL	FINISH , REMARKS
1	TERMINAL	ALUMINUM	[CONTACT AREA, SMT AREA] PLATING: Sn 1.0~5.5 μ m OVER Ni 1.0~5.5 μ m.

Rev.2

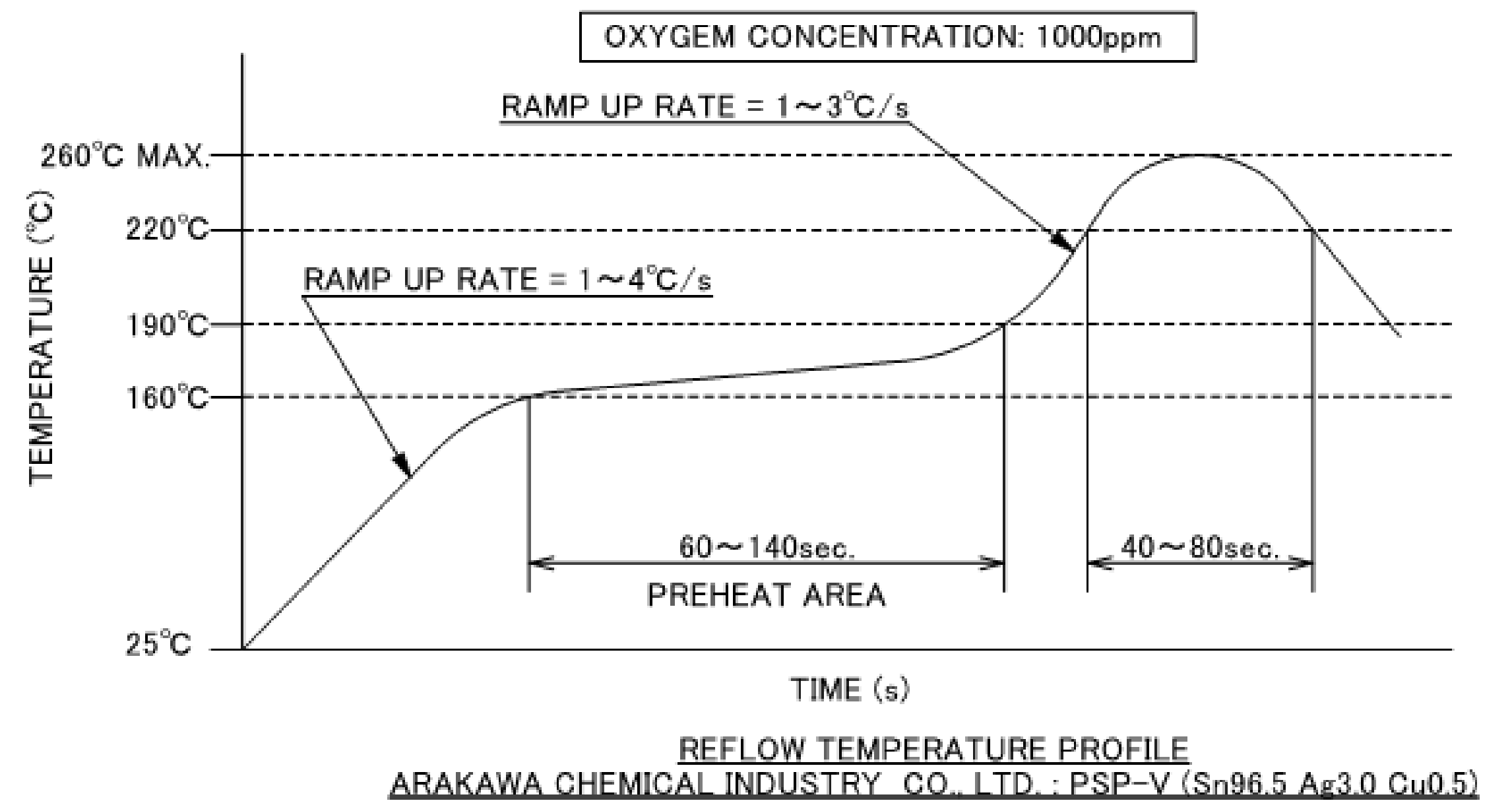
AP-TSS10



RECOMMENDED PCB LAYOUT



RECOMMENDED METAL MASK LAYOUT



Rev.2

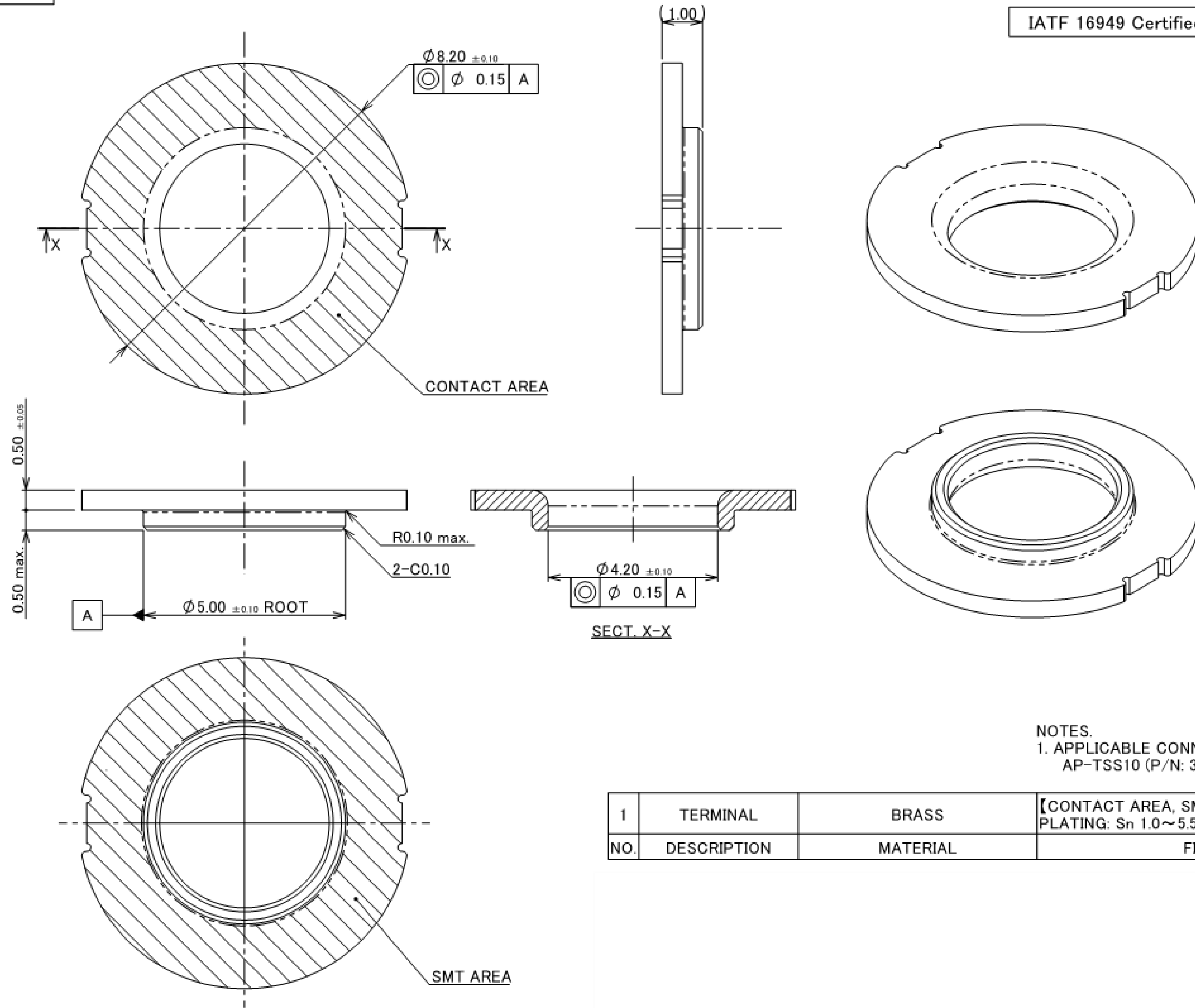
ITEMS	SPECIFICATION
RATING VOLTAGE	32A DC
OPERATING TEMPERATURE	233~398K(-40°C~+125°C)
OPERATING HUMIDITY	85% MAX.(NON-CONDENSING)
CONTACT RESISTANCE	INITIAL : 1.0mohm MAX. / AFTER TEST : 1.0mohm MAX.
SCREW TIGHTENING TORQUE	0.75~0.93 Nm(REFERENCE)
PRODUCT SPECIFICATION	PRS-2845
TEST REPORT	TR-23036
PACKING STANDARD	PST-23063
APPEARANCE CRITERIA No.	QLS-A***

Rev.2

AP-LT10

Recommended P/N	3571-0081-04T
PART No.	3571-0081-04T

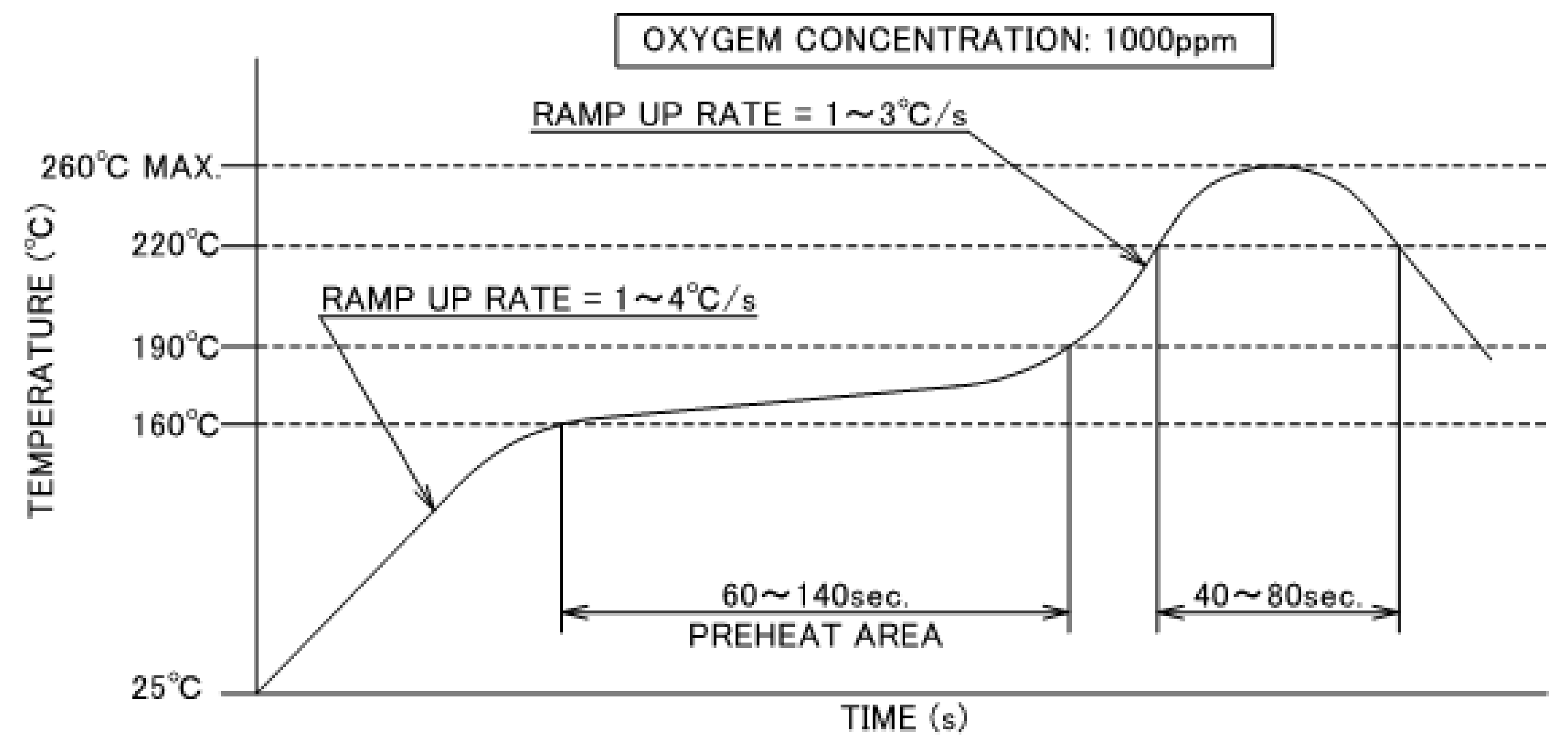
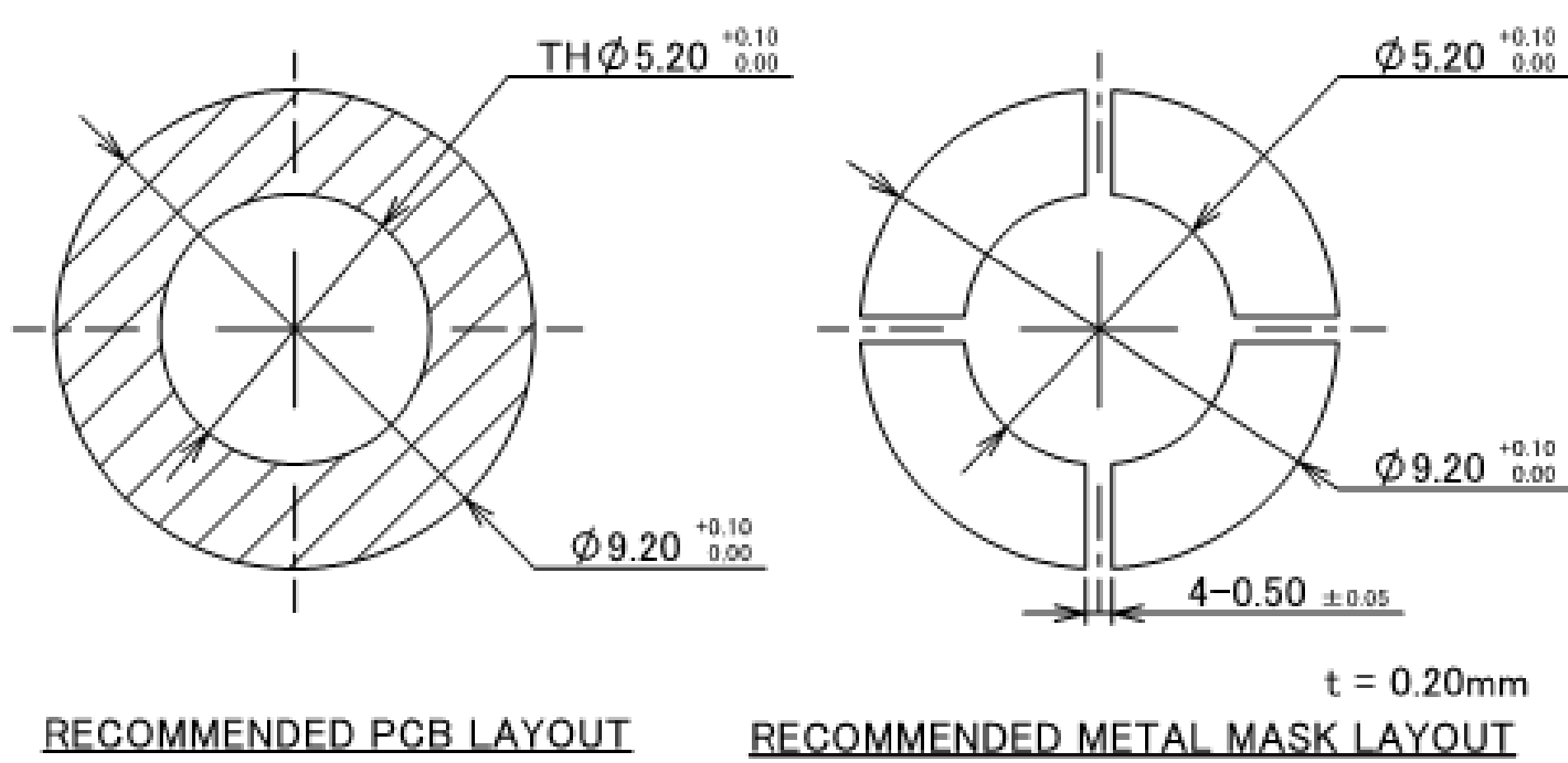
IATF 16949 Certified



NOTES.
1. APPLICABLE CONNECTOR
AP-TSS10 (P/N: 3782-0002)

NO.	DESCRIPTION	MATERIAL	FINISH, REMARKS
1	TERMINAL	BRASS	【CONTACT AREA, SMT AREA】 PLATING: Sn 1.0~5.5 μ m OVER Ni 1.0~5.5 μ m

Rev.1



REFLOW TEMPERATURE PROFILE
ARAKAWA CHEMICAL INDUSTRY CO., LTD. : PSP-V (Sn96.5 Ag3.0 Cu0.5)

Rev.1

AP-LT10

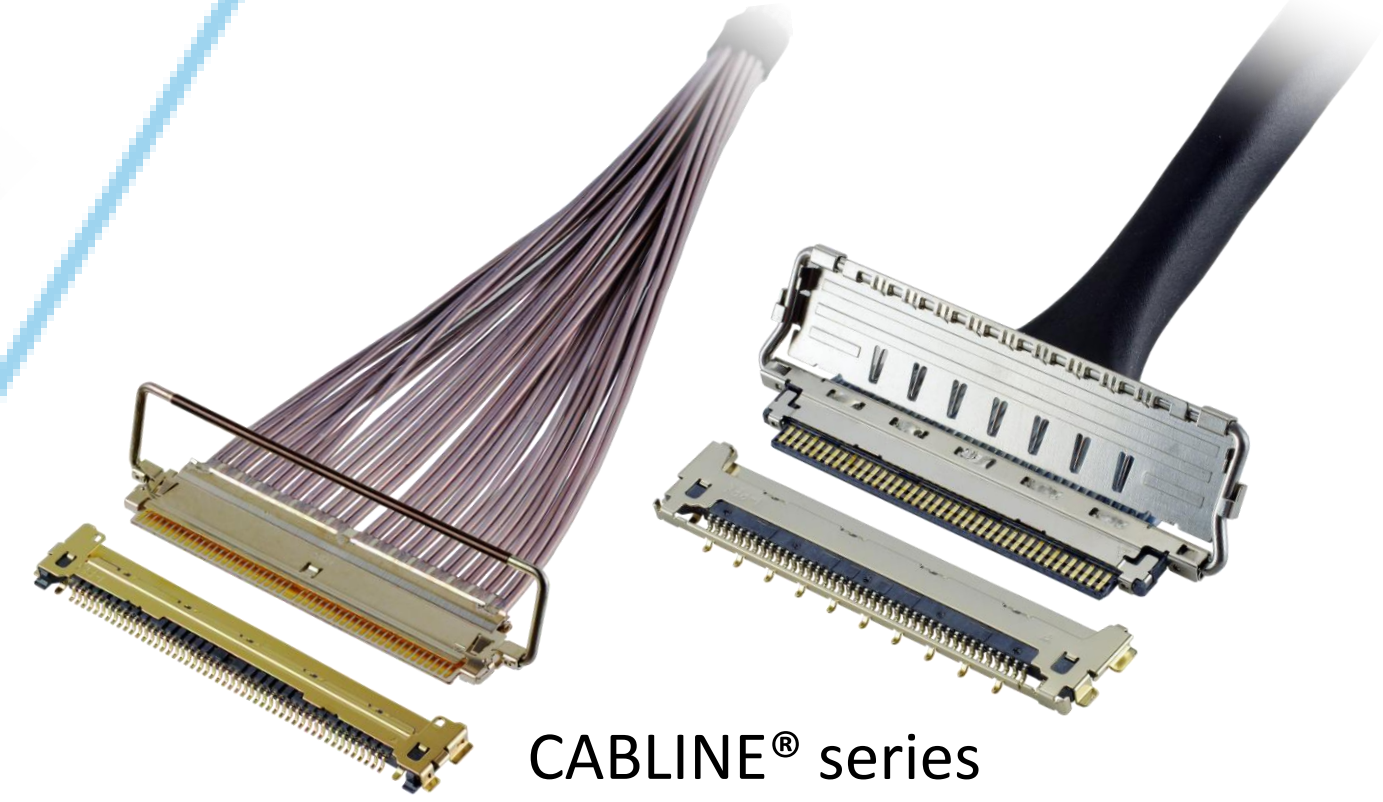
ITEMS	SPECIFICATION
RATING VOLTAGE	32A DC
OPERATING TEMPERATURE	233~398K(-40°C~+125°C)
OPERATING HUMIDITY	85% MAX.(NON-CONDENSING)
CONTACT RESISTANCE	INITIAL : 1.0mohm MAX. / AFTER TEST : 1.0mohm MAX.
SCREW TIGHTENING TORQUE	0.75~0.93 Nm(REFERENCE)
PRODUCT SPECIFICATION	PRS-2845
TEST REPORT	TR-23036
PACKING STANDARD	PST-23064
APPEARANCE CRITERIA No.	QLS-A***

Rev.1

Custom Connectors Available

 RF Connectors

MHF® series



CABLIN® series



Micro-Coaxial/Twinaxial Connectors

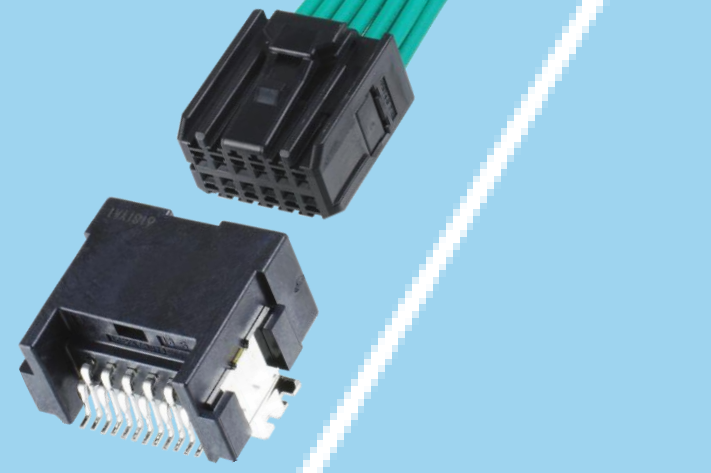


Wire-to-Board Connectors/Terminals

AP series



ISH® series



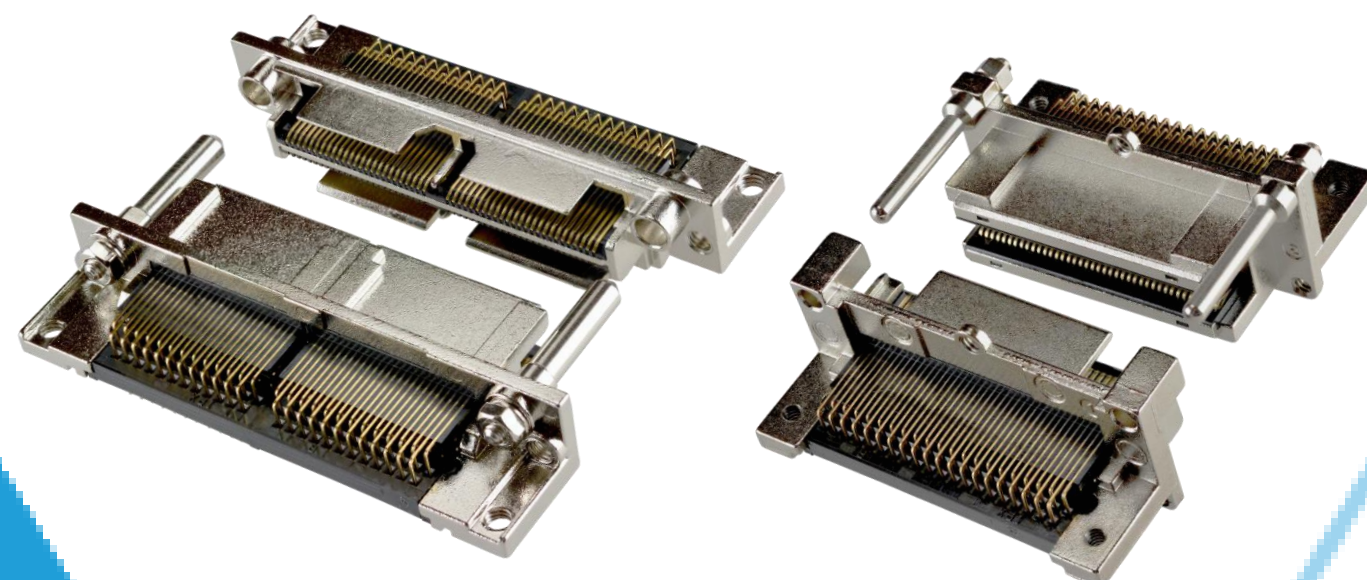
NOVASTACK® series



Board-to-Board Connectors



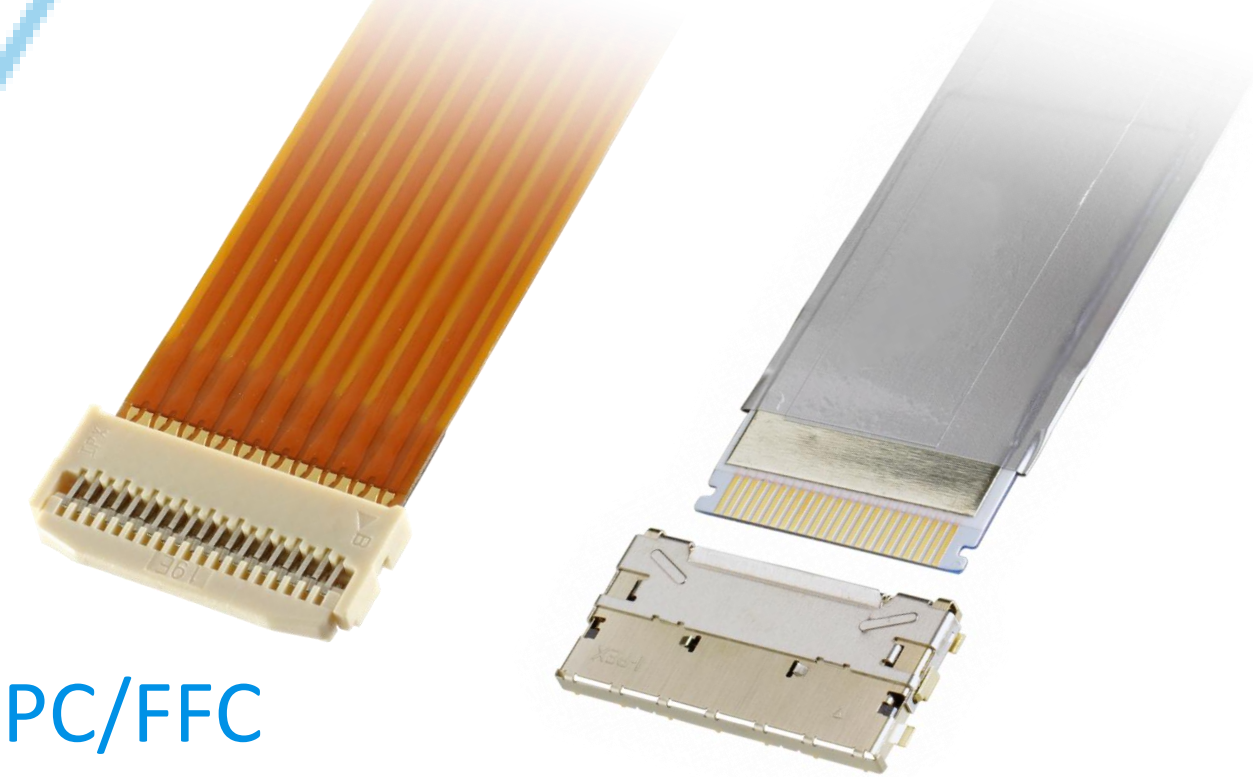
I/O Connectors



MINIDOCK™ series

MINIFLEX® series

EVAFLEX® series



FPC/FFC Connectors



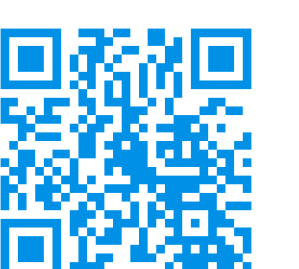
Inquiry



I-PEX, MHF, CABLINE, NOVASTACK, ISH, IARPB, MINIFLEX, EVAFLEX, MINIDOCK and ZenShield are registered trademarks of I-PEX Inc. Please note that the contents in the catalog might be changed without prior notification. I-PEX Inc. assumes no responsibility for any inaccuracies or obligation to update information on these documents. Please be sure to read and understand the latest "Precautions for Use" and "Instruction Manual" before you use our products. We shall not be responsible for any defects, damages or troubles in case you use our products without following the precautions for use. Please feel free to contact our sales representatives when you use our products for any applications that require very high reliability and safety, or that relate to human life (ex. nuclear power control, aerospace, transportation, medical equipment, safety equipment etc.).

Contact your sales representative or more detailed information.

www.i-pex.com



I-PEX

© I-PEX Inc. 2025
All rights reserved