

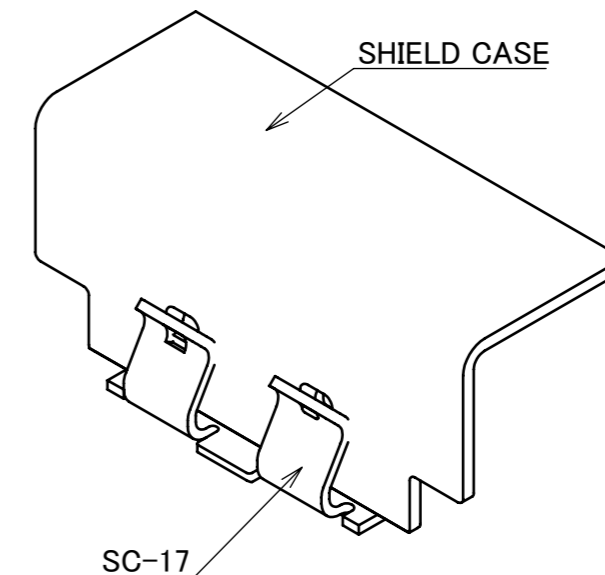
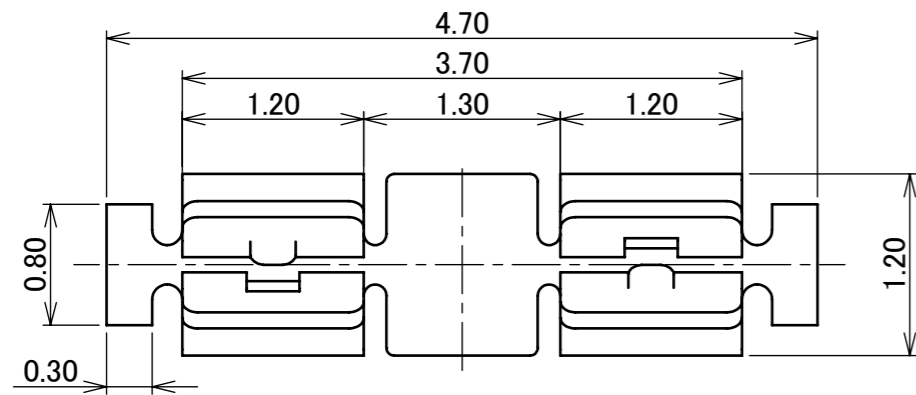
PART NO.
3394-0001



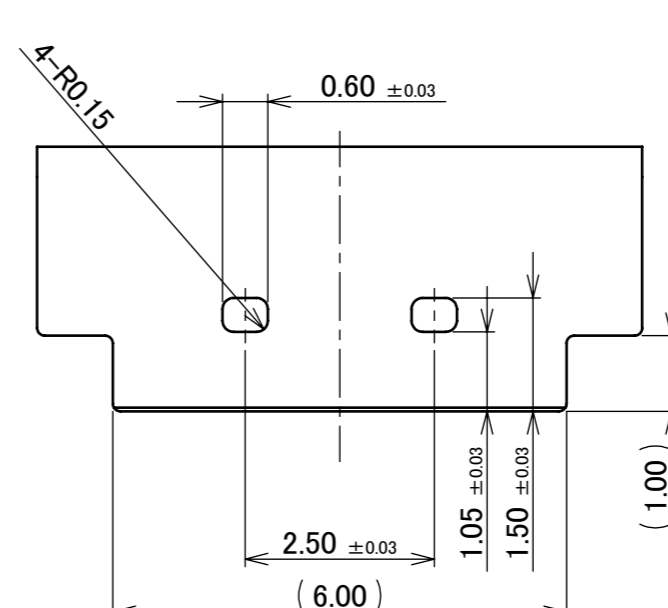
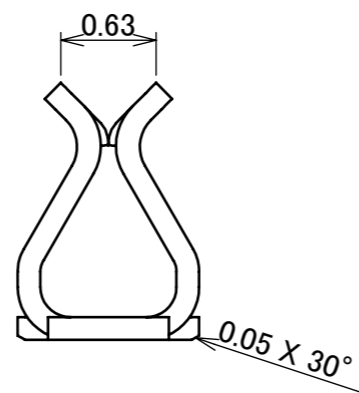
Halogen Free



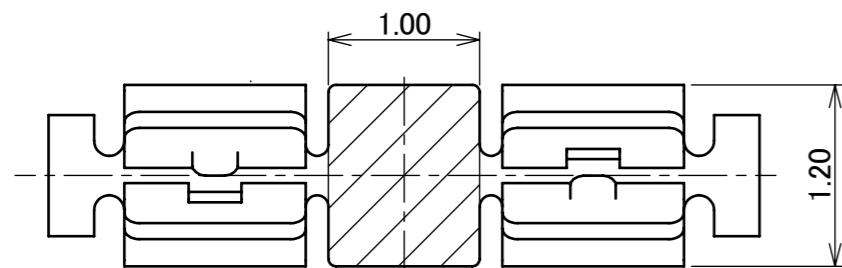
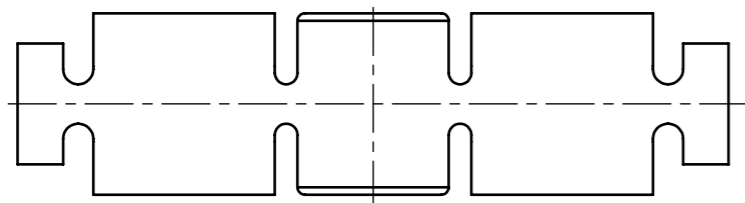
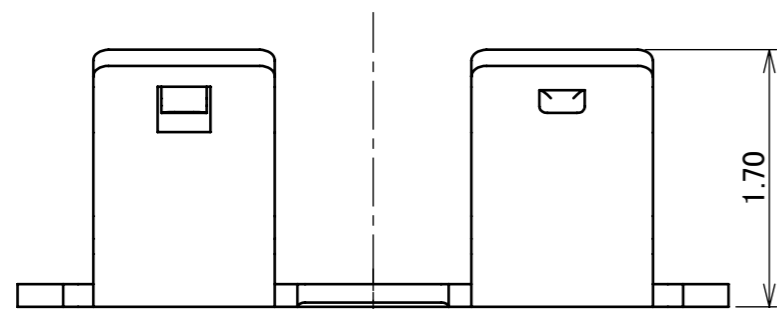
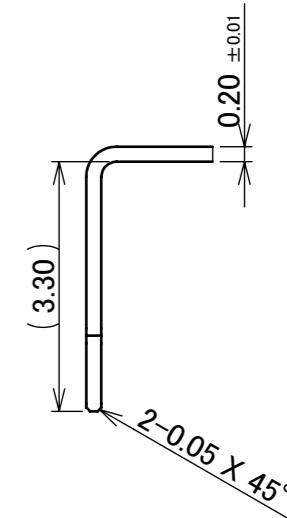
RoHS Compliant



SHIELD CASE MATING STATE(SCALE 10 : 1)



SHIELD CASE SHAPE (SCALE 10 : 1)



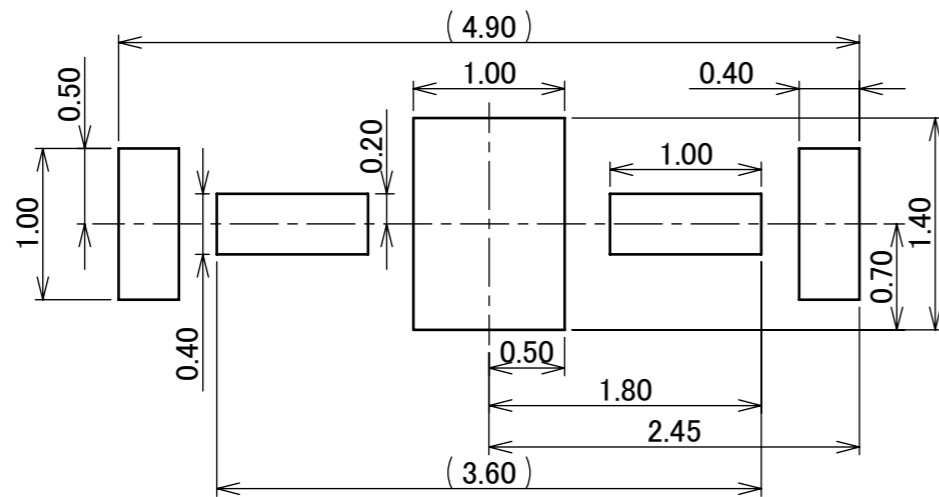
PICK UP AREA

1	CONNECTOR	SUS301-EH	UNDER PLATE : Ni 0.6 μm~1.2 μm. ALL OVER : Sn-Ag-Cu 0.8~1.6 μm.
NO.	DESCRIPTION	MATERIAL	FINISH , REMARKS

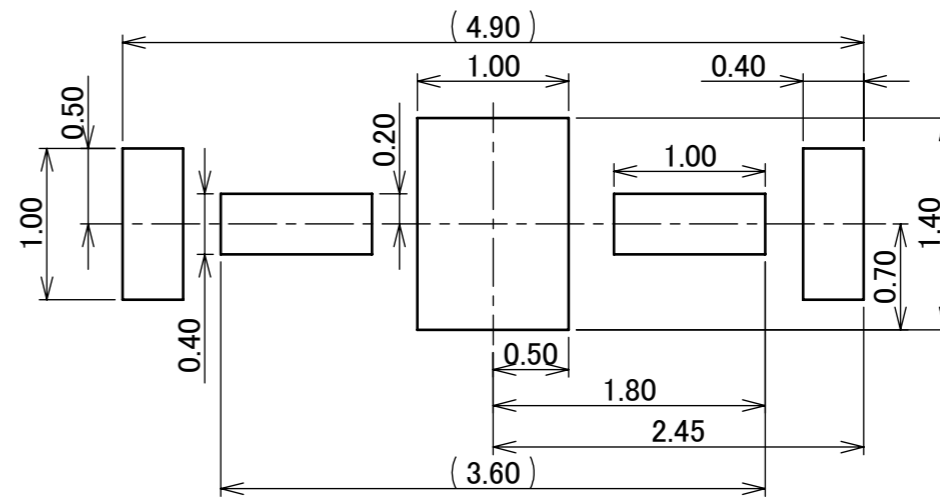
					ANGLE	±2°	6 OVER 30 MAX.	±0.3	PROJECTION	SERIES No.	CUSTOMER COPY	
4	Z221376	M.H	Dec./07/'22	Y.H	6 MAX.	±0.2	30 OVER 120 MAX.	±0.5	⊕	R3		
3	Z181717	SEI	Dec./26/'18	TAK	GENERAL TOLERANCE.				TITLE SC-17	SCALE 5:1	UNIT I-PEX	
2	Z171199	R.H	Oct./18/'17	M.T	DWG.	DATE		mm				
1	Z170901	R.H	Aug./08/'17	M.T	S.Kawamura 2017/07/10							
0	Z170785	S.K	July/10/'17		CHK.							
REV.	ECN	BY	DATE	APP.	APP.	REVISION RECORD			DWG. No.	SIZE	SHEET	REV.
					M.Takemoto				3394	A3	1/5	4

ITEMS	SPECIFICATION
OPERATING TEMPERATURE	233~358K(-40°C~+85°C)
OPERATING HUMIDITY	85% MAX.(NON-CONDENSING)
CONTACT RESISTANCE (FOR GROUND CONTACT)	INITIAL : 120 mohm MAX. / AFTER TEST : \triangleleft 40 mohm MAX.
DURABILITY	3 CYCLES
MATING FORCE (INITIAL / AFTER TEST)	29.5 N MAX.
UNMATING FORCE (INITIAL / AFTER TEST)	8.0 N MIN.
COPLANARITY	0.08 MAX.
PRODUCT SPECIFICATION	PRS-2438
TEST REPORT	TR-17096
PACKING STANDARD	PST-17094
INSTRUCTION MANUAL	HIM-17028
APPEARANCE CRITERIA No.	QLS-A***

ANGLE	$\pm 2^\circ$	6 OVER 30 MAX.	± 0.3	PROJECTION 	SERIES No. R3	CUSTOMER COPY		
6 MAX.	± 0.2	30 OVER 120 MAX.	± 0.5					
GENERAL TOLERANCE.				TITLE SC-17	SCALE 5:1	I-PEX		
DWG.	DATE							
CHK.								
APP.								
				DWG. No.	3394	SIZE A3	SHEET 2/5	REV. 4

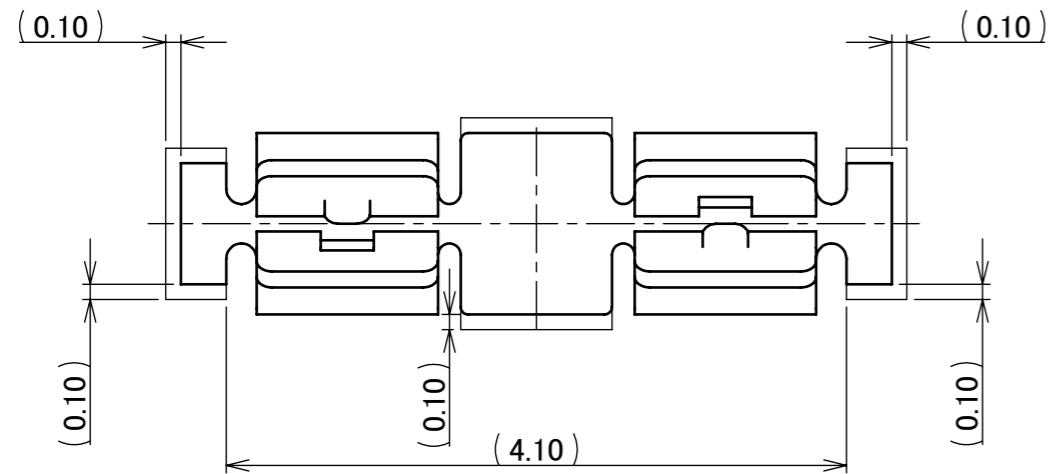


RECOMMENDED FOOTPRINT PATTERN LATOUT

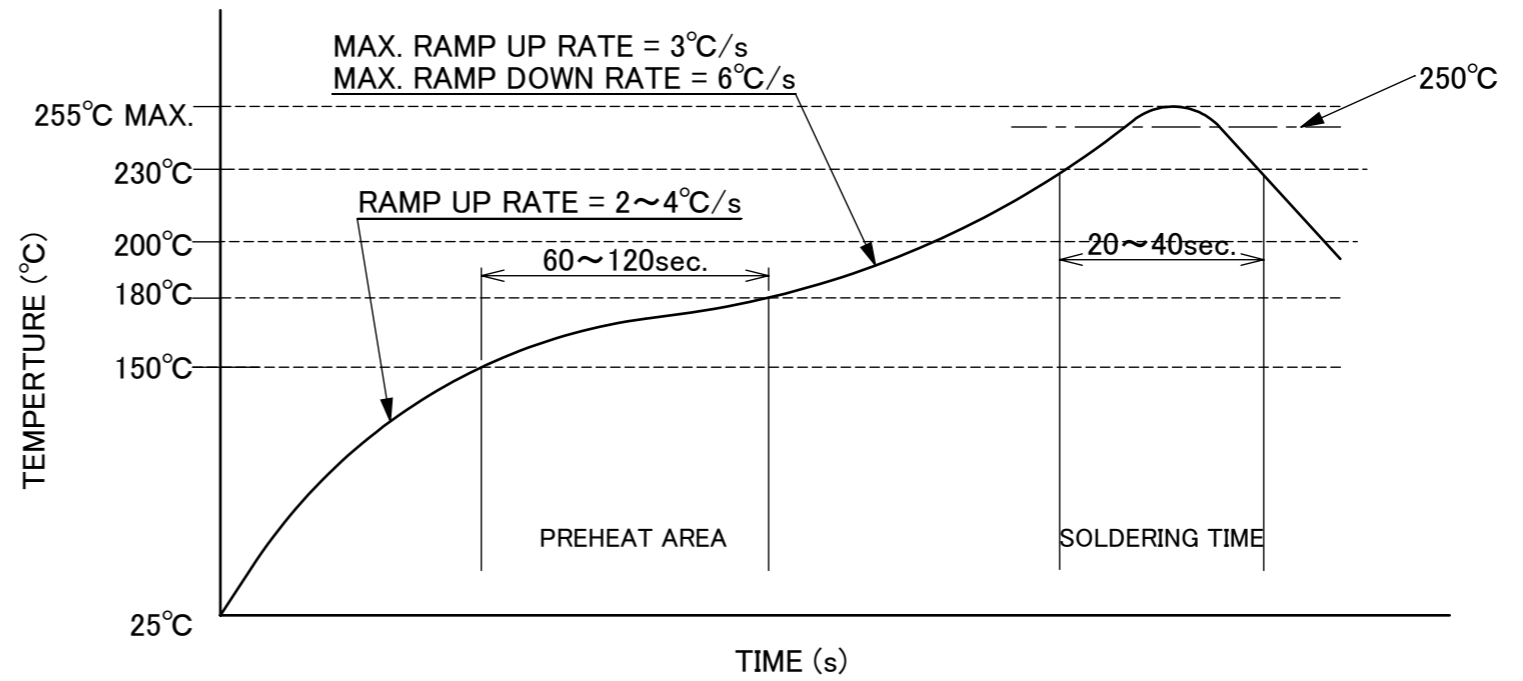


RECOMMENDED METAL MASK LATOUT
METAL MASK THICKNESS : T=0.12 mm)

ANGLE	$\pm 2^\circ$	6 OVER 30 MAX.	± 0.3	PROJECTION 	SERIES No. R3	CUSTOMER COPY		
6 MAX.	± 0.2	30 OVER 120 MAX.	± 0.5					
GENERAL TOLERANCE.				TITLE SC-17	SCALE 5:1	UNIT mm I-PEX		
DWG.	DATE							
CHK.								
APP.								
				DWG. No.	3394	SIZE A3	SHEET 3/5	REV. 4



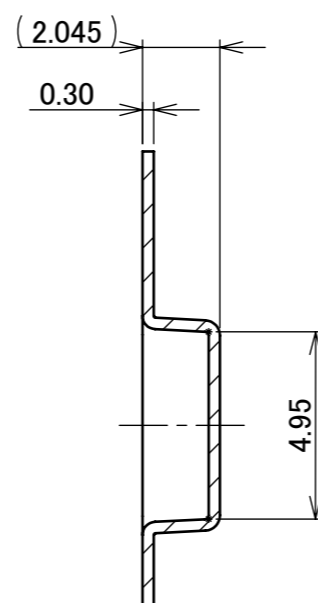
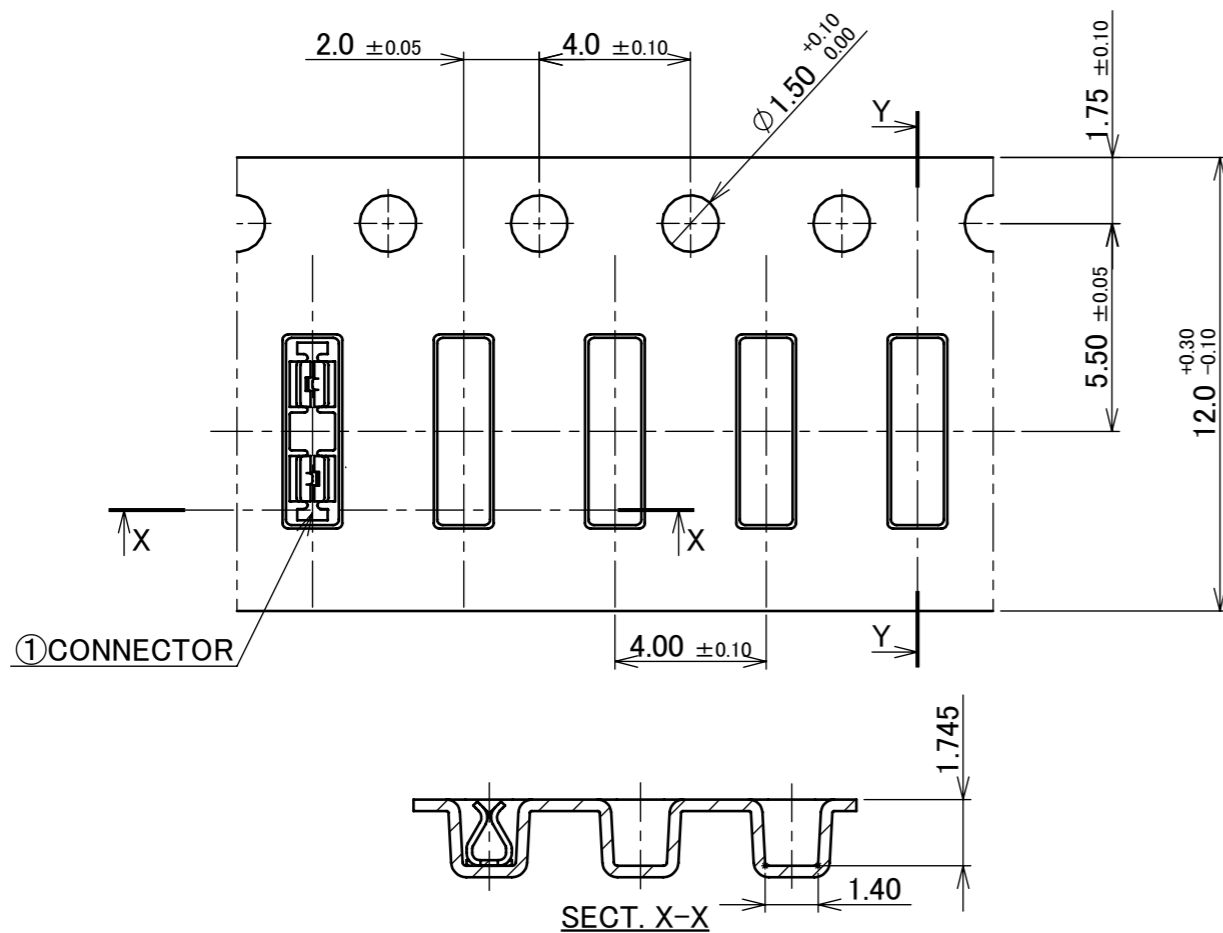
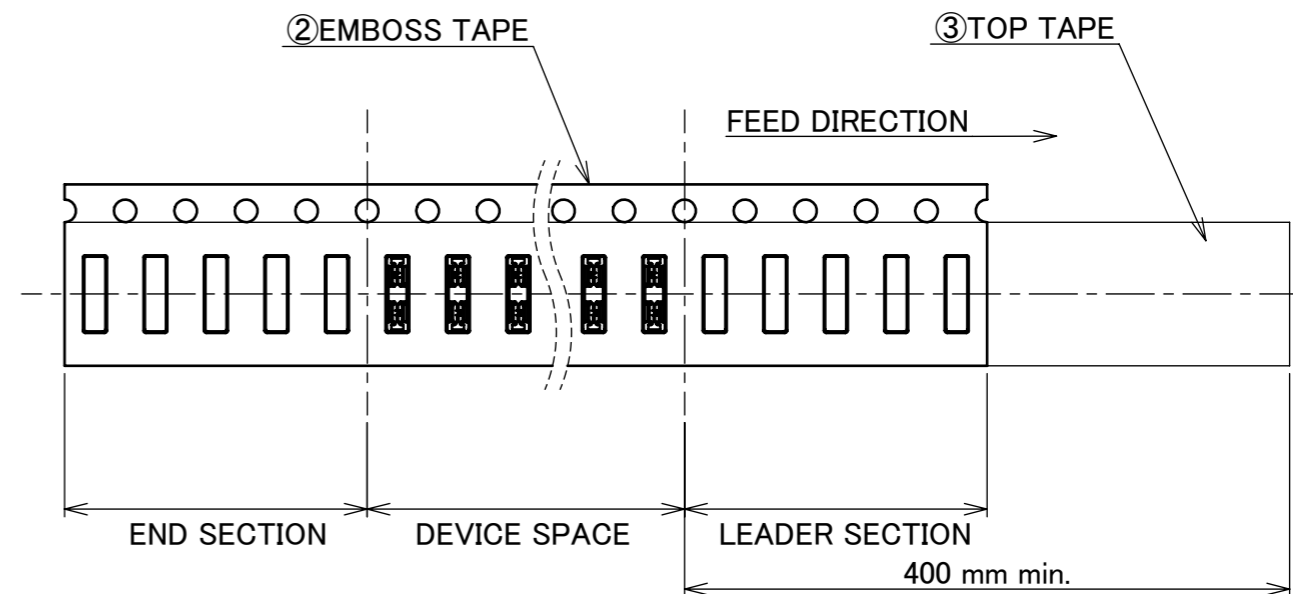
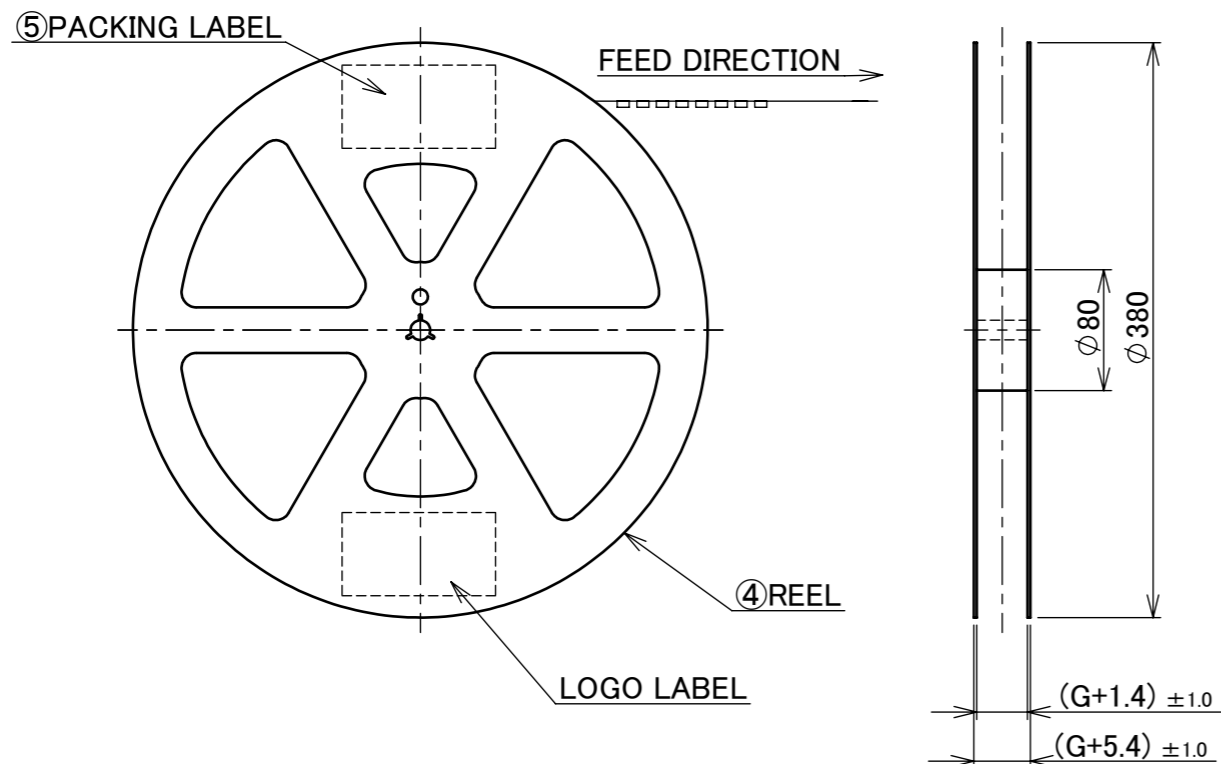
CONNECTOR ON RECOMMENDED FOOTPRINT PATTERN LATOUT



REFLOW TEMPERATURE PROFILE
 SENJU METAL INDUSTRY CO., LTD. : M705-SHF(Sn96.5 Ag3.0 Cu0.5)

ANGLE	±2°	6 OVER 30 MAX.	±0.3	PROJECTION 	SERIES No. R3	CUSTOMER COPY		
6 MAX.	±0.2	30 OVER 120 MAX.	±0.5					
GENERAL TOLERANCE.				TITLE SC-17	SCALE 5:1	I-PEX		
DWG.	DATE							
CHK.								
APP.								
				DWG. No.	3394	SIZE A3	SHEET 4/5	REV. 4

PART NO.	QTY. PER EMBOSS REEL (PIECES / REEL)	QTY. PER PACKING CARTON (REELS / CARTON)
3394-0001	5000 / REEL	5000 / REEL × 5 / CARTON = 25000



SECT. Y-Y

NOTES.

- TAPING SPECIFICATION FOLLOWS JIS C 0806 (IEC 60286-3).
- MAKE EMPTY SECTION OF LEADER AND END ON EACH END OF THE TAPE.
- TOP TAPE SHALL NOT STICK OUT FROM EMBOSS TAPE.
- TOP TAPE SHALL NOT COVER FEED HOLE.

NO.	DISCRIPTION	MATERIAL	FINISH , REMARKS
5	PACKING LABEL	-	-
4	REEL	PS	ANTI-STATIC TYPE BLACK
3	TOP TAPE	PET t=0.062 TRANSPARENCY	ANTI-STATIC TYPE
2	EMBOSS TAPE	PS t=0.3 TRANSPARENCY	ANTI-STATIC TYPE
1	CONNECTOR	-	-

ANGLE	±2°	6 OVER 30 MAX.	±0.3	PROJECTION ⊕	SERIES No. R3	CUSTOMER COPY		
6 MAX.	±0.2	30 OVER 120 MAX.	±0.5					
GENERAL TOLERANCE.				TITLE SC-17	SCALE 5:1	I-PEX		
DWG.	DATE							
CHK.								
APP.								
DWG. No.				3394	SIZE A3	SHEET 5/5	REV. 4	