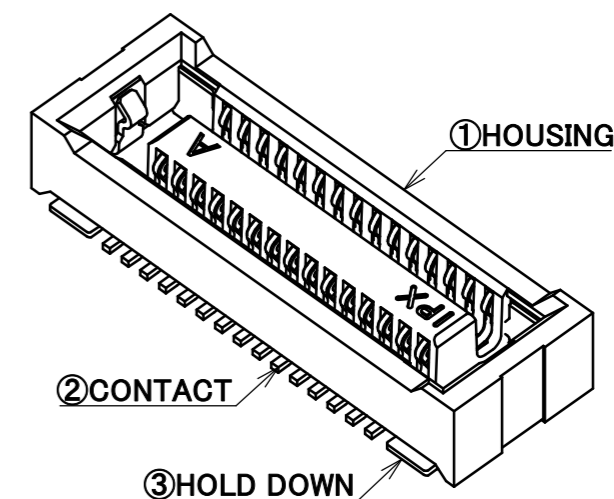
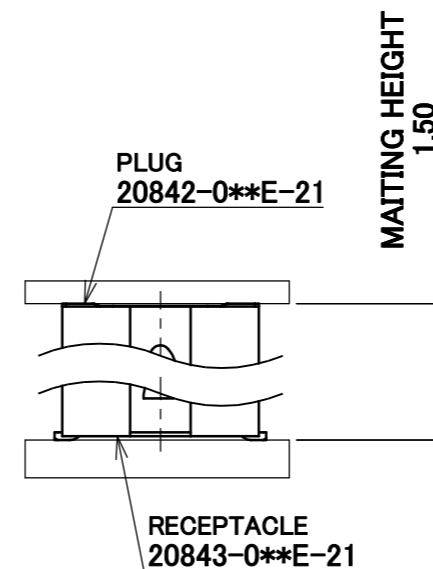
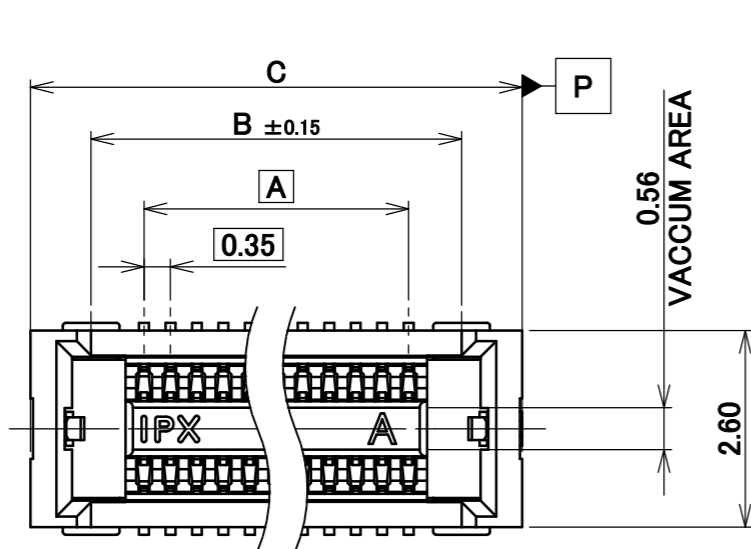
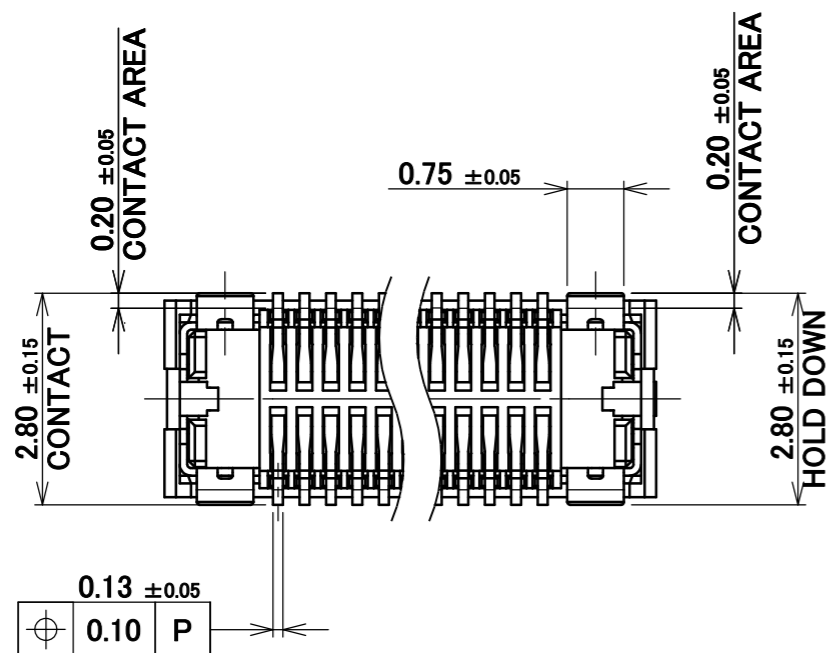
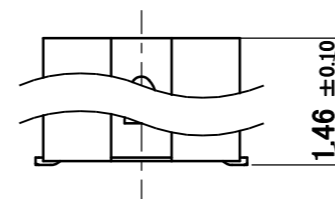
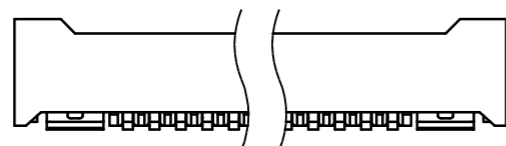


Recommended P/N 20843-0\*\*E-21

PART No.	Pos	A	B	C
20843-010E-21	10	1.40	2.80	4.40
20843-030E-21	30	4.90	6.30	7.90
20843-040E-21	40	6.65	8.05	9.65
20843-050E-21	50	8.40	9.80	11.40



MATING CONDITION



NO.	DESCRIPTION	MATERIAL	FINISH , REMARKS
3	HOLD DOWN	CORSON ALLOY	ALL OVER Ni 1.27 μm MIN. CONTACT PART Au 0.10 μm MIN. SOLDERING PART Au 0.01 μm MIN.
2	CONTACT	CORSON ALLOY	ALL OVER Ni 1.27 μm MIN. CONTACT PART Au 0.10 μm MIN. SOLDERING PART Au 0.01 μm MIN.
1	HOUSING	LCP	UL94V-0, BLACK

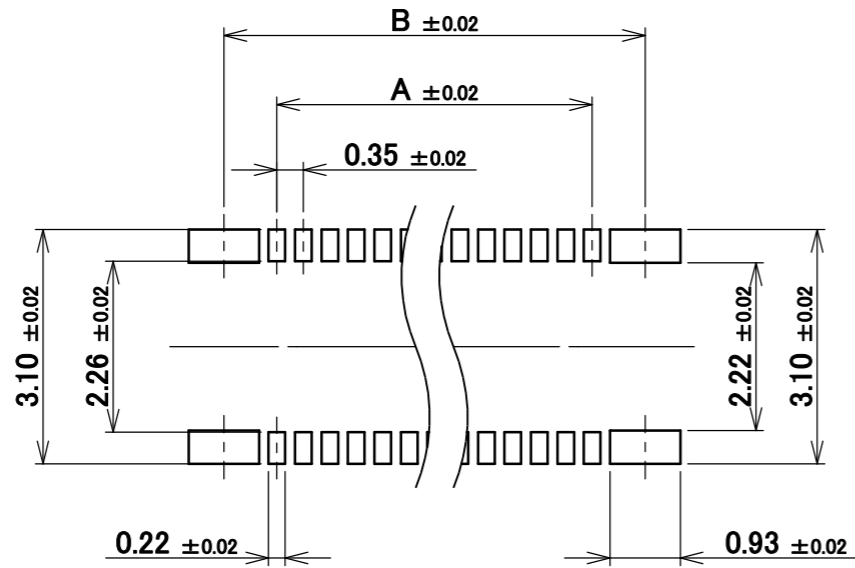
REV.	ECN	BY	DATE	APP.	DESCRIPTION	DATE	APP.	REVISION RECORD
3	Z190998	KAG	Jul./29/'19	Y.S	GENERAL TOLERANCE.			
2	Z190298	R.S	Mar./01/'19	TAK	DWG.	DATE		
1	Z181014	R.H	Aug./01/'18	TAK	T.Fukushima	2018/03/23		
0	Z180373	T.F	Mar./23/'18		CHK.	DATE		
					S.Hamada	2018/03/23		
					APP.	DATE		
					T.Hirakawa	2018/03/23		

ANGLE	±2°	6 OVER 30 MAX.	±0.3	PROJECTION	SERIES No.	CUSTOMER COPY
	6 MAX.	±0.2	30 OVER 120 MAX.	⊕	R1	
TITLE						SCALE
NOVASTACK® 35-PH RECEPTACLE ASS'Y						
DWG. No.						UNIT
20843						mm
SIZE						SHEET 1/5 REV. 3
A3						

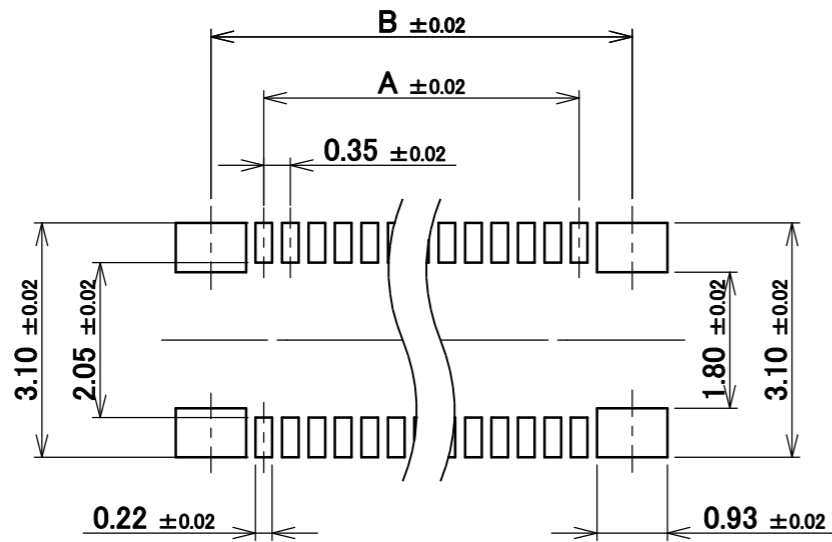
ITEMS	SPECIFICATION
RATING VOLTAGE	50V AC (r.m.s)/DC (PER A CONTACT)
RATING AMPERAGE (FOR SIGNAL CONTACT)	0.3A MAX. AC/DC (PER A CONTACT) 40P AND OVER : 12.0A MAX. AC/DC (TOTAL)
RATING AMPERAGE (FOR POWER CONTACT)	3.0A MAX. AC/DC (PER A CONTACT)/ 6.0A MAX. AC/DC (TOTAL)
OPERATING TEMPERATURE	233~358K(-40°C~+85°C)
OPERATING HUMIDITY	85% MAX.(NON-CONDENSING)
CONTACT RESISTANCE (FOR SIGNAL CONTACT)	INITIAL : 80mohm MAX. / AFTER TEST : $\Delta$ 20mohm MAX.
CONTACT RESISTANCE (FOR POWER CONTACT)	INITIAL : 80mohm MAX. / AFTER TEST : $\Delta$ 20mohm MAX.
INSULATION RESISTANCE	INITIAL : 1,000Mohm MIN. / AFTER TEST : 500Mohm MIN.
DIELECTRIC WITHSTANDING VOLTAGE	AC200V 1min
DURABILITY	30 CYCLES
MATING FORCE (INITIAL)	1.0N/PIN MAX.
UNMATING FORCE (AFTER TEST)	0.15N/PIN MIN.
COPLANARITY	0.10 MAX.
PRODUCT SPECIFICATION	PRS-2463
TEST REPORT	TR-18014
PACKING STANDARD	PST-17083
INSTRUCTION MANUAL	HIM-18017
APPEARANCE CRITERIA No.	QLS-A***

ANGLE	$\pm 2^\circ$	6 OVER 30 MAX.	$\pm 0.3$	PROJECTION 	SERIES No. <b>R1</b>	CUSTOMER COPY
6 MAX.	$\pm 0.2$	30 OVER 120 MAX.	$\pm 0.5$			
GENERAL TOLERANCE.				TITLE <b>NOVASTACK® 35-PH RECEPTACLE ASS'Y</b>	SCALE	<b>I-PEX</b>
DWG.	DATE					
CHK.	DATE					
APP.	DATE					
DWG. No.				<b>20843</b>	UNIT <b>mm</b>	SIZE <b>A3</b>
				SHEET <b>2/5</b>	REV. <b>3</b>	

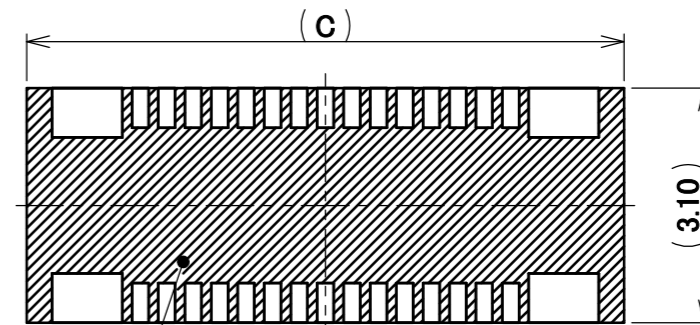
PART No.	Pos	A	B	C
20843-010E-21	10	1.40	2.80	4.40
20843-030E-21	30	4.90	6.30	7.90
20843-040E-21	40	6.65	8.05	9.65
20843-050E-21	50	8.40	9.80	11.40



RECOMMENDED METAL MASK LAYOUT (t=0.12)



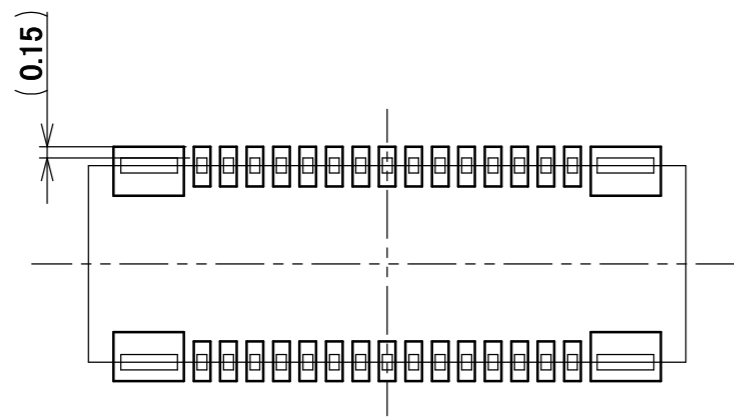
RECOMMENDED PAD LAYOUT



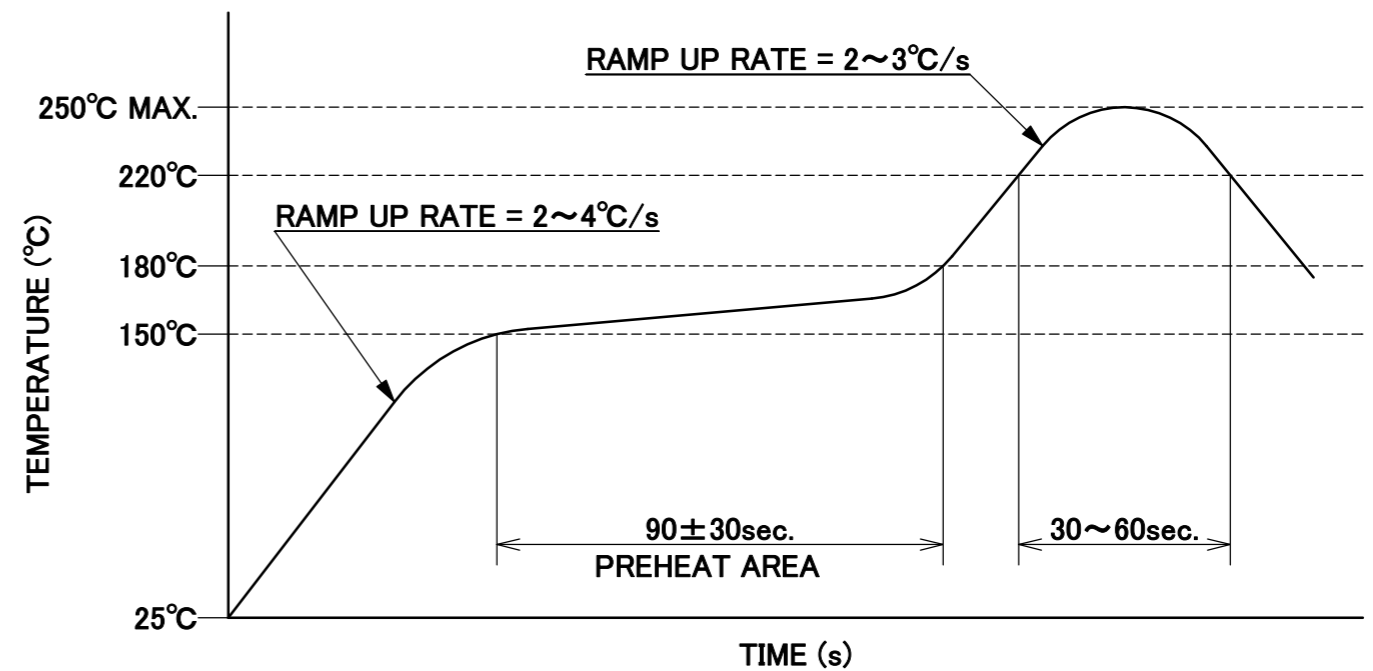
NOTE.1

NOTES.  
1. THIS AREA CANNOT MOUNT ANOTHER COMPONENTS.

ANGLE	±2°	6 OVER 30 MAX.	±0.3	PROJECTION	SERIES No.	CUSTOMER COPY
6 MAX.	±0.2	30 OVER 120 MAX.	±0.5		R1	
GENERAL TOLERANCE.				TITLE	SCALE	I-PEX
DWG.	DATE	NOVASTACK® 35-PH RECEPTACLE ASS'Y		10:1		
CHK.	DATE			UNIT		
APP.	DATE			mm		
DWG. No.				SIZE		
20843				A3	SHEET 3/5	REV. 3



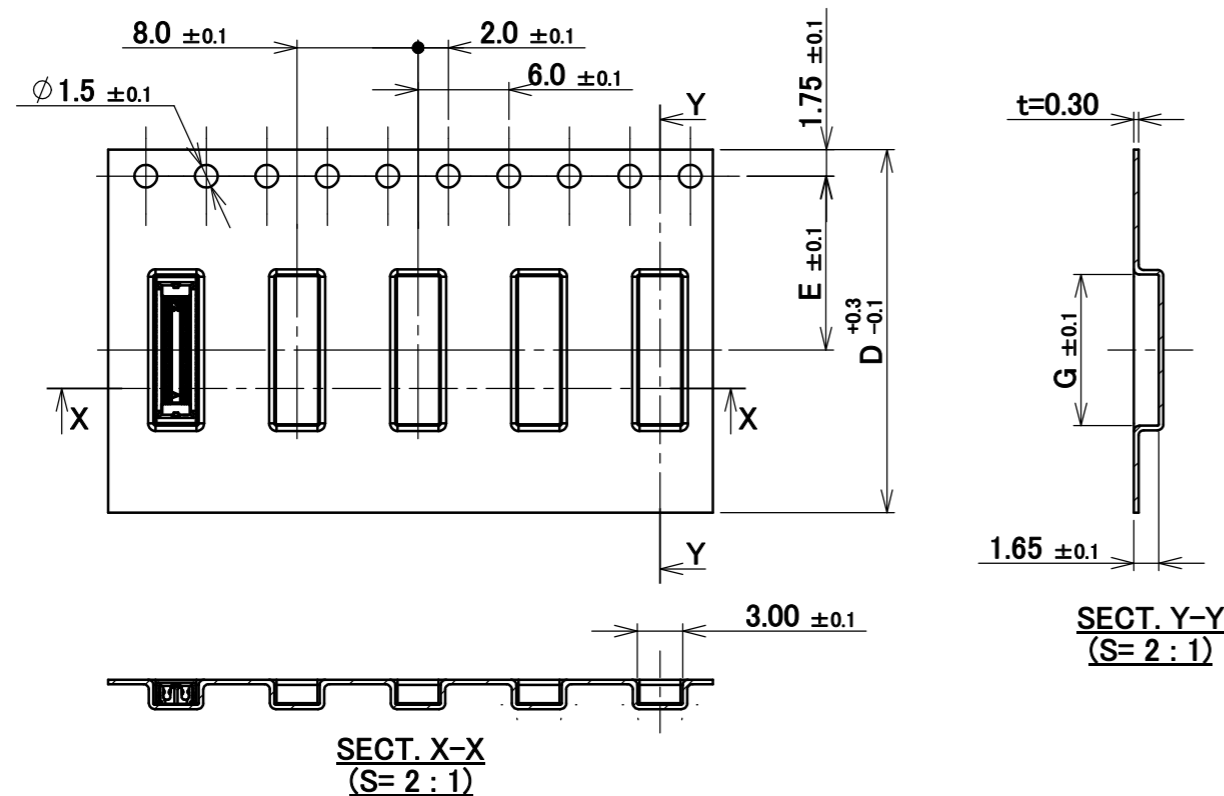
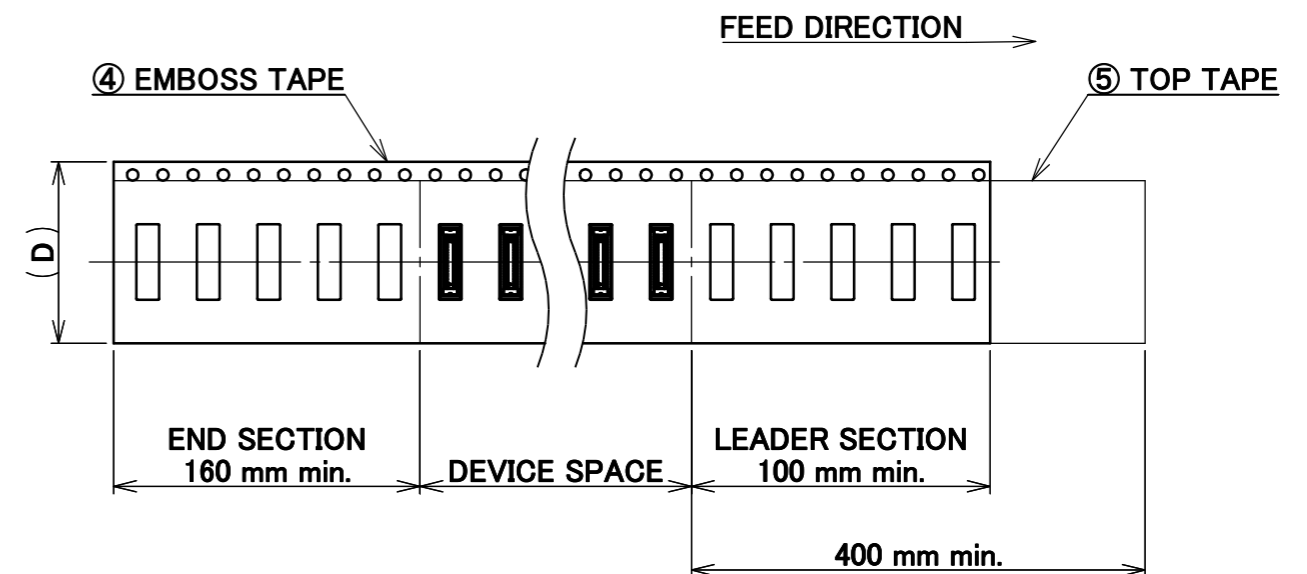
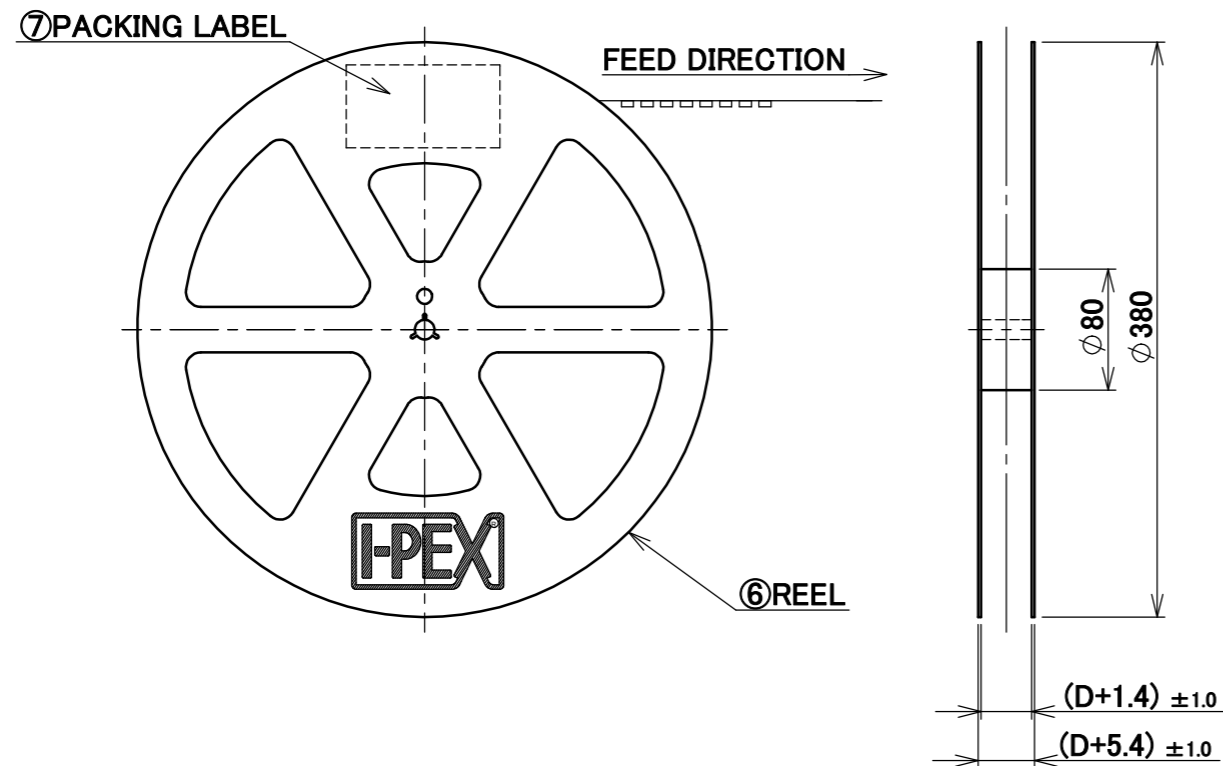
**CONNECTOR ON RECOMMENDED FOOTPRINT PATTERN**



**REFLOW TEMPERATURE PROFILE**  
**SENJU METAL INDUSTRY CO., LTD. : M705-SHF(Sn96.5 Ag3.0 Cu0.5)**

ANGLE	±2°	6 OVER 30 MAX.	±0.3	PROJECTION ⊕	SERIES No. R1	CUSTOMER COPY	
6 MAX.	±0.2	30 OVER 120 MAX.	±0.5				
GENERAL TOLERANCE.				TITLE		SCALE	I-PEX
DWG.	DATE			NOVASTACK® 35-PH RECEPTACLE ASS'Y		10:1	
CHK.	DATE					UNIT	
APP.	DATE			DWG. No. 20843		mm	
						SIZE	SHEET 4/5 REV. 3
						A3	

PART NO.	Pos.	D	E	G	QTY. PER EMBOSS REEL (PIECES / REEL)	QTY. PER PACKING CARTON
20843-0**E-21	10P	12.0	5.5	4.75	5,000 / REEL	5,000 × 9 = 45,000
	30P	16.0	7.5	8.25		5,000 × 7 = 35,000
	40P	24.0	11.5	10.00		5,000 × 5 = 25,000
	50P			11.75		



- NOTES.
- TAPING SPECIFICATION FOLLOWS JIS C 0806 (IEC 60286-3).
  - MAKE EMPTY SECTION OF LEADER AND END ON EACH END OF THE TAPE.
  - TOP TAPE SHALL NOT STICK OUT FROM EMBOSS TAPE.
  - TOP TAPE SHALL NOT COVER FEED HOLE.

NO.	DESCRIPTION	MATERIAL	FINISH , REMARKS
7	PACKING LABEL	-	-
6	REEL	PS	ANTI-STATIC TYPE BLACK
5	TOP TAPE	PET $t=0.062$ TRANSPARENCY	ANTI-STATIC TYPE
4	EMBOSS TAPE	PS TRANSPARENCY	ANTI-STATIC TYPE

ANGLE	±2°	6 OVER 30 MAX.	±0.3	PROJECTION	SERIES No.	CUSTOMER COPY	
6 MAX.	±0.2	30 OVER 120 MAX.	±0.5		R1		
GENERAL TOLERANCE.				TITLE	NOVASTACK® 35-PH RECEPTACLE ASS'Y	SCALE	
DWG.	DATE					1:X	
CHK.	DATE					UNIT	mm
APP.	DATE					DWG. No.	20843
					SIZE	A3	SHEET 5/5 REV. 3