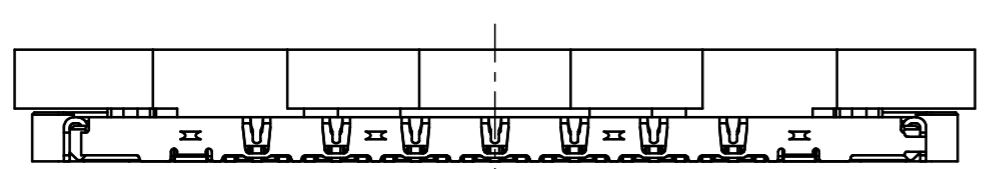
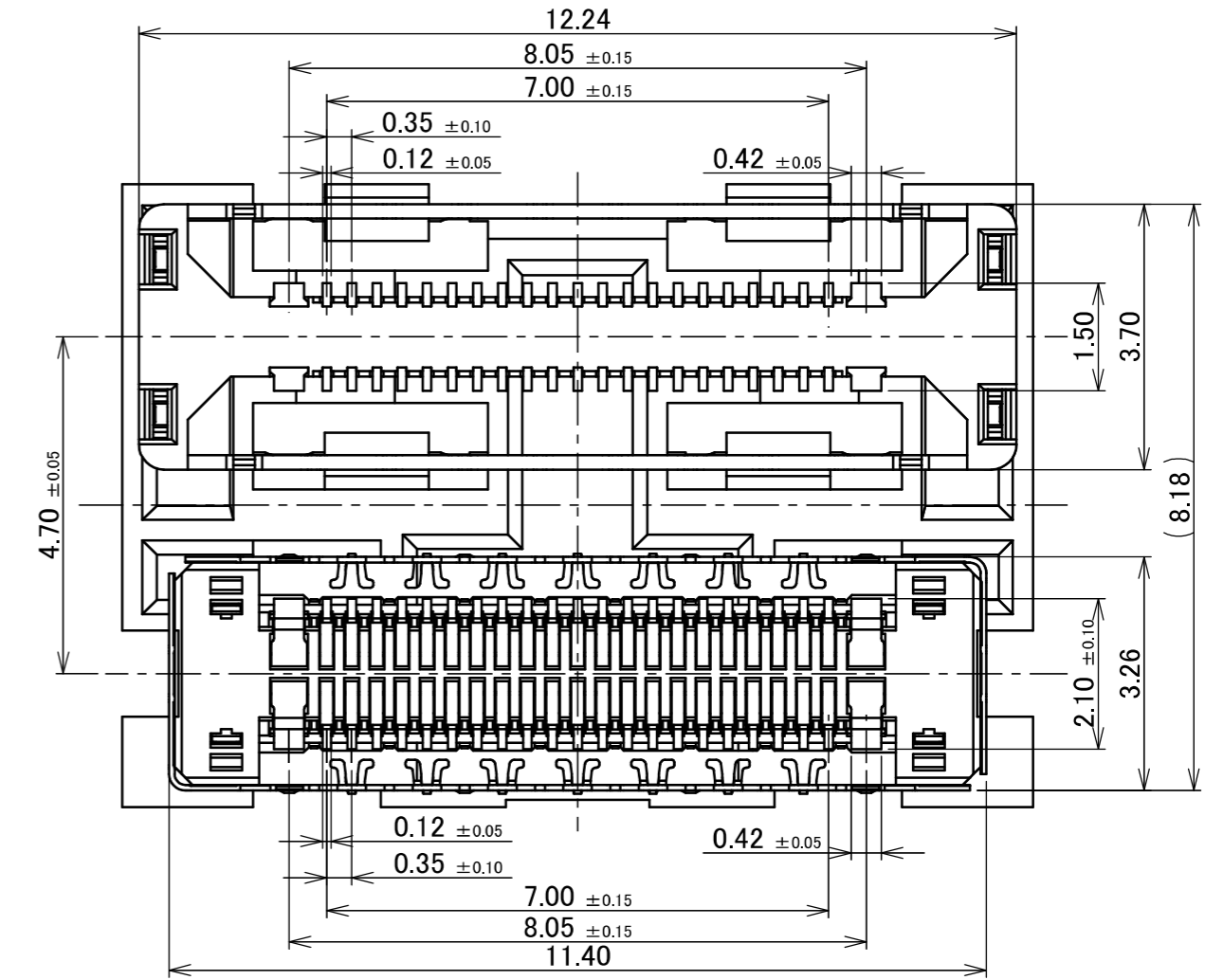
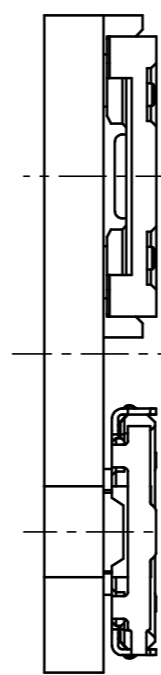
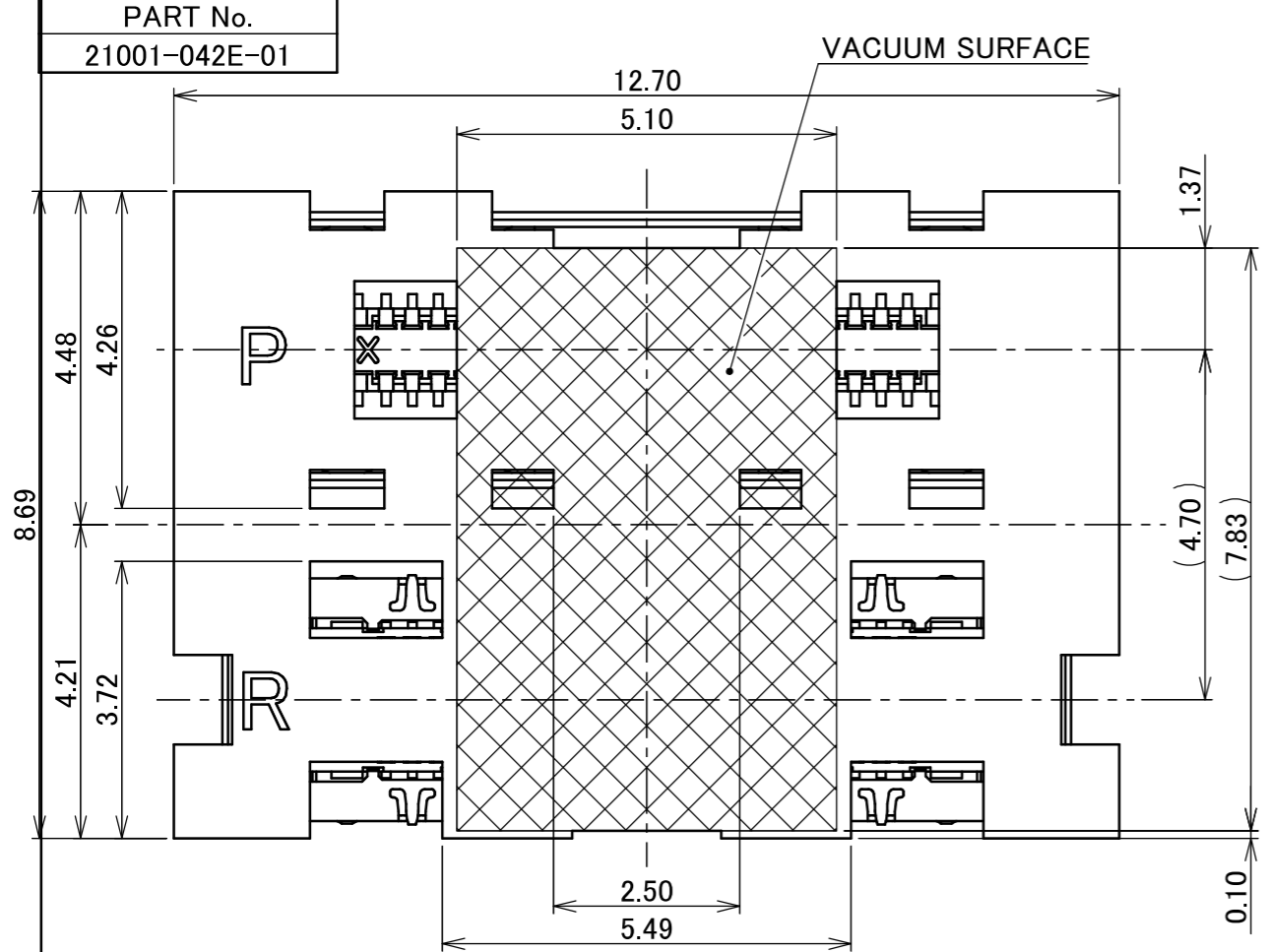
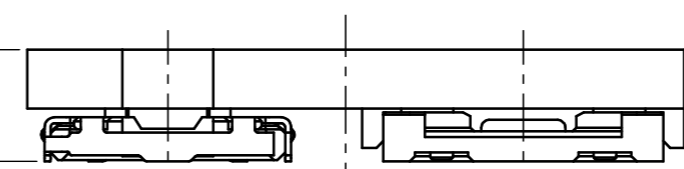


Recommended P/N 21001-042E-01

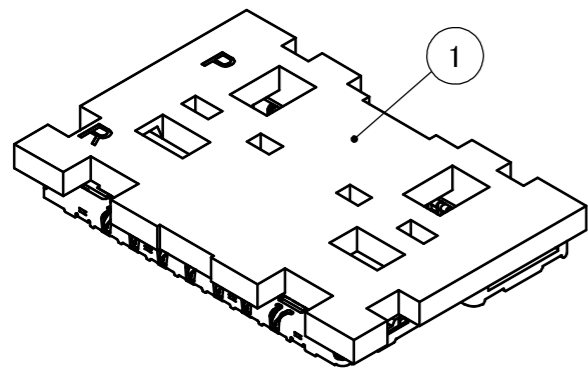
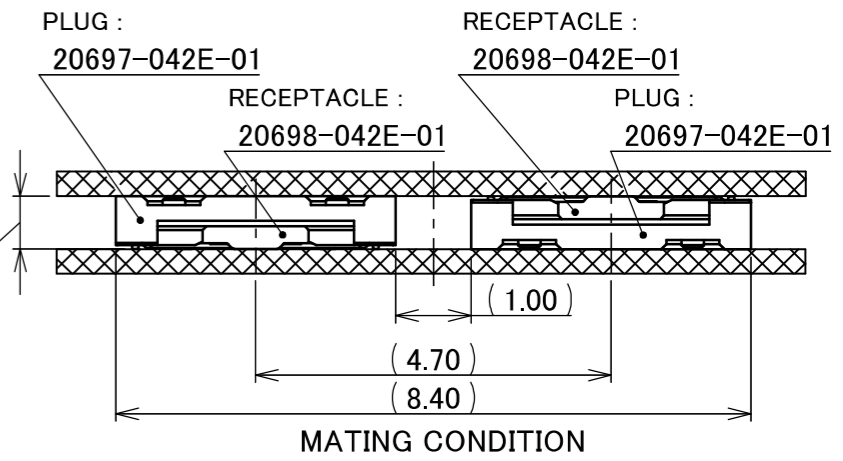
PART No.
21001-042E-01



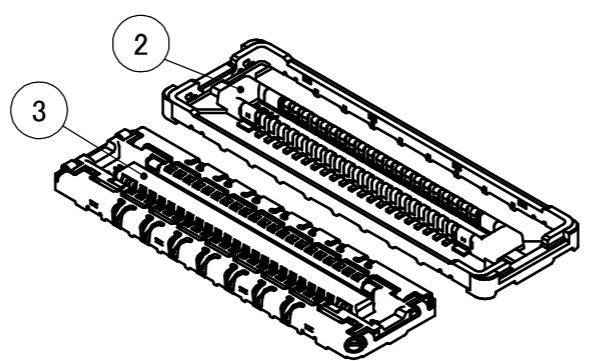
1.48 ±0.15
WITH VACUUM CAP



0.70 ±0.05
MATING HEIGHT



WITH VACUUM CAP



WITHOUT VACUUM CAP



Halogen Free



RoHS Compliant

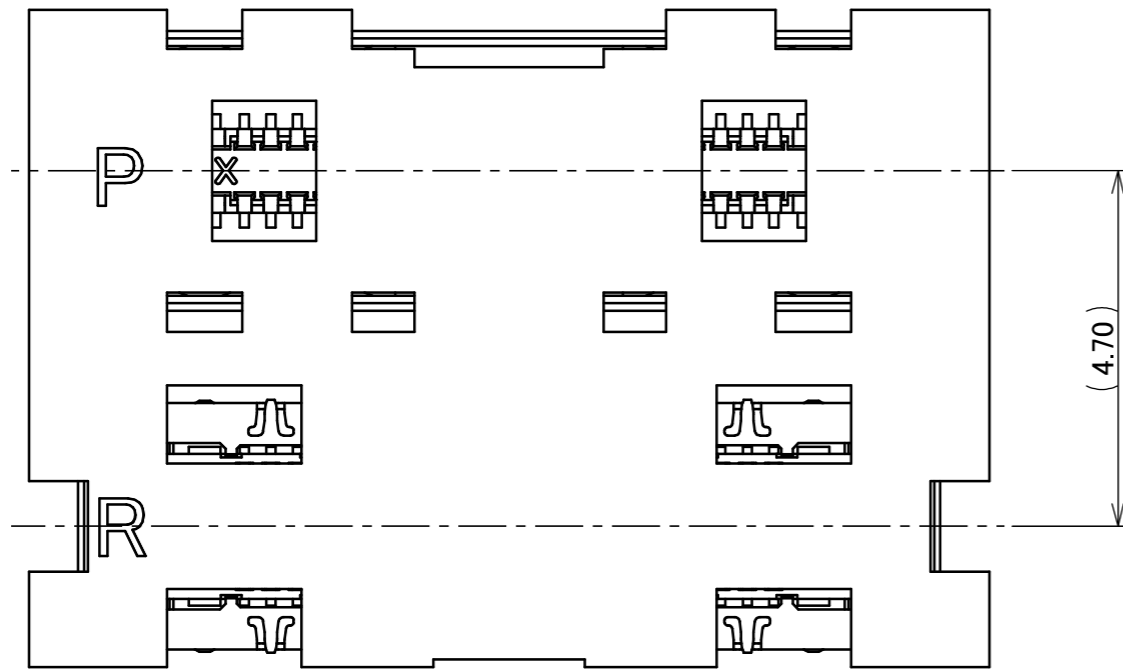
3	NOVASTACK 35-HDP RECEPTACLE ASSEMBLY	-	P/N : 20698-042E-01
2	NOVASTACK 35-HDP PLUG ASSEMBLY	-	P/N : 20697-042E-01
1	VACUUM CAP	LCP	UL94V-0, BLACK
NO.	DESCRIPTION	MATERIAL	FINISH , REMARKS

4	ZC00596	X.L	2026/04/09	S.S	ANGLE ±2° 6 OVER 30 MAX. ±0.3	PROJECTION 	SERIES No. R1	CUSTOMER COPY
3	Z241509	Y.B	2024/10/29	S.S	6 MAX. ±0.2 30 OVER 120 MAX. ±0.5			
REVISION RECORD					GENERAL TOLERANCE.	TITLE	SCALE	I-PEX
2	Z230901	Y.B	2023/07/31	Y.H	DWG. M.Hidaka	NOVASTACK® 35-HDP WITH CAP 2-IN-1	10:1	
1	Z230760	Y.B	2023/06/29	Y.H	DATE 2020/07/30	UNIT	mm	
0	Z210856	M.H	2021/07/30		CHK. S.Suzuki	DWG. No. 21001	SHEET 1/6	
REV.	ECN	BY	DATE	APP.	APP. Y.Hashimoto	SIZE A3	SHEET 1/6	REV. 4

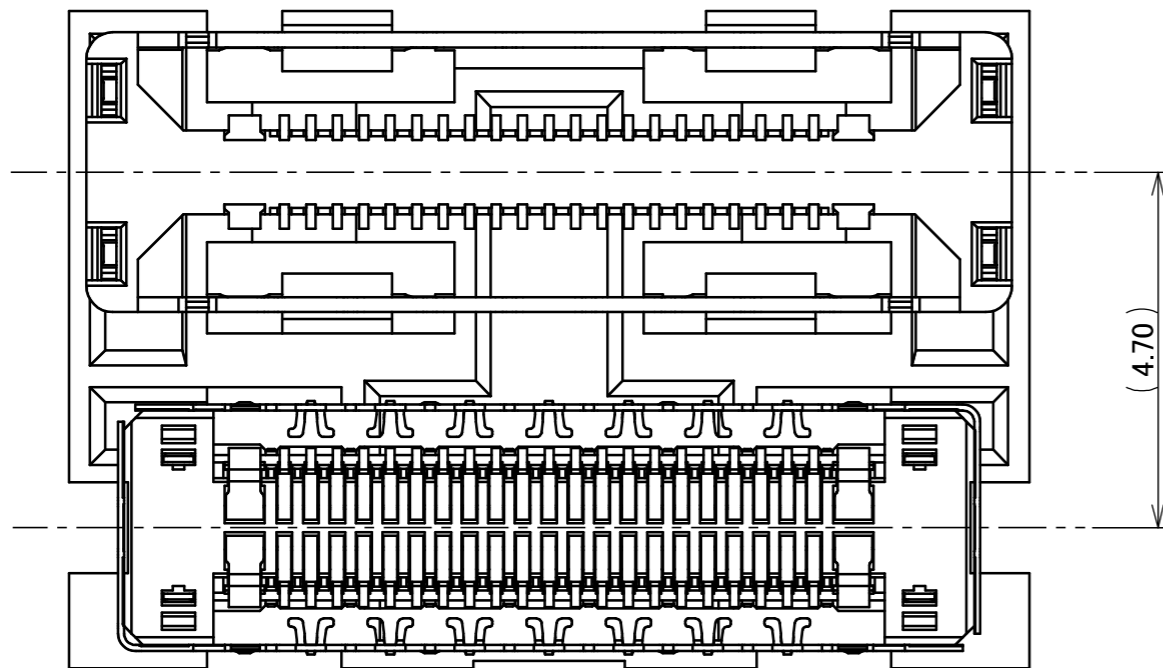
Confidential C

I-PEX Inc.

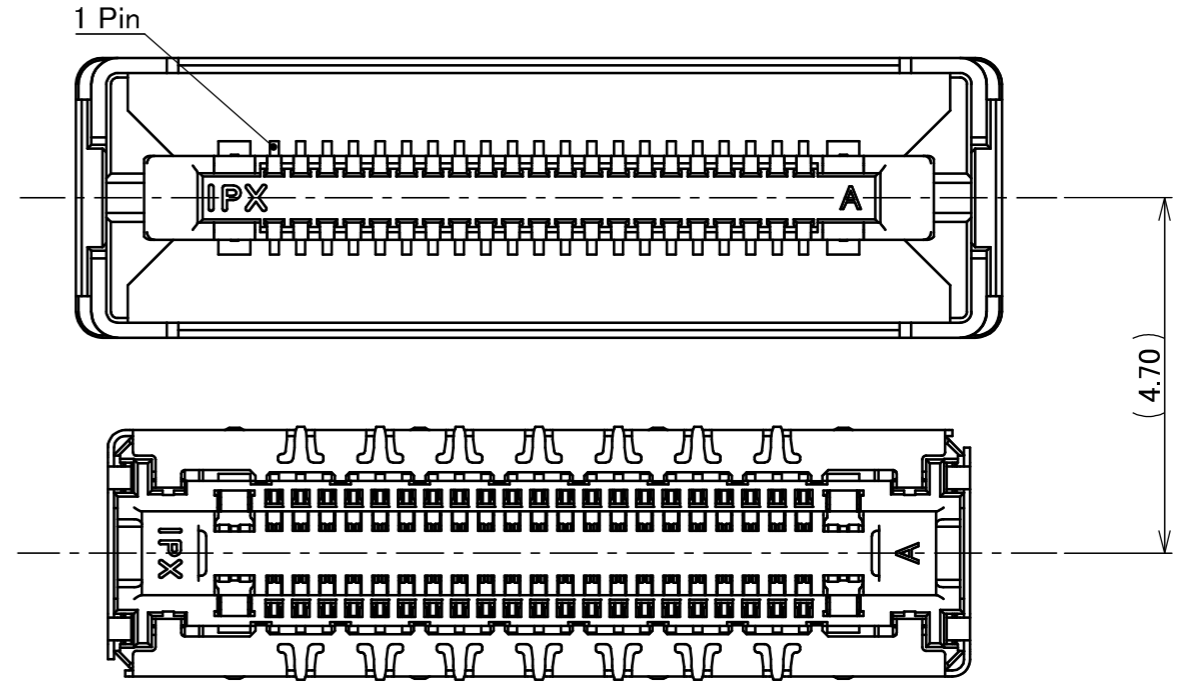
QKE-DFE06-02 REV.12



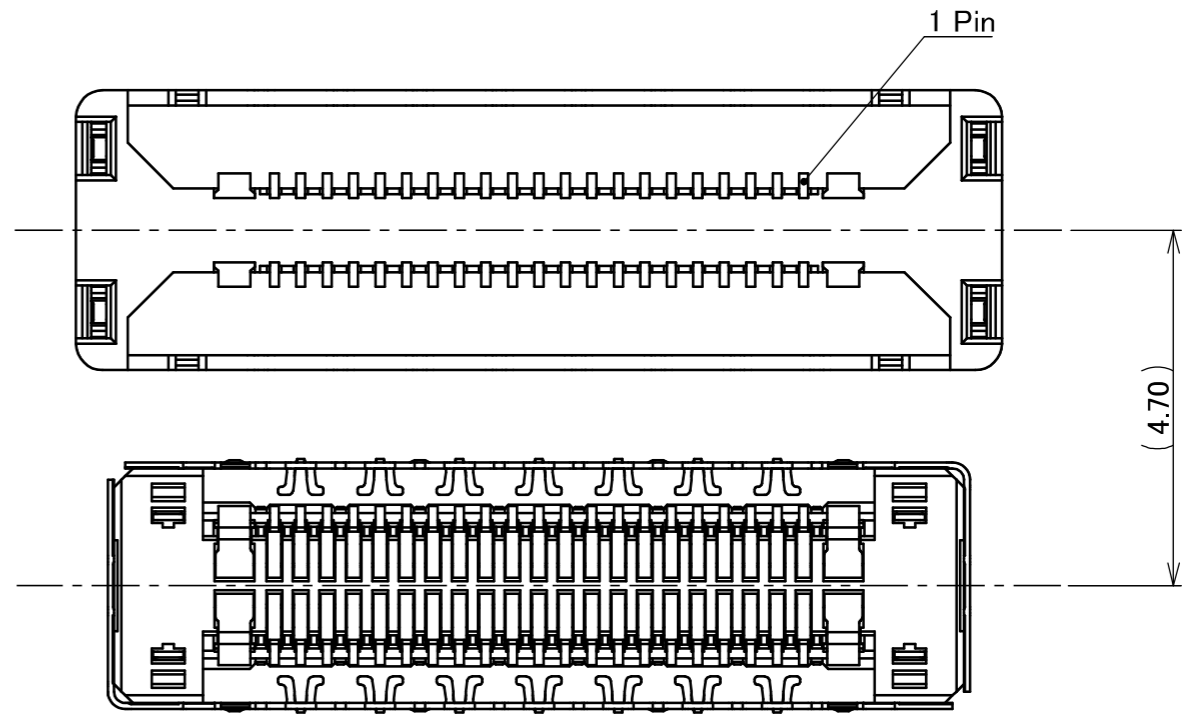
TOP VIEW (WITH VACUUM CAP)



BOTTOM VIEW (WITH VACUUM CAP)



TOP VIEW (WITHOUT VACUUM CAP)



BOTTOM VIEW (WITHOUT VACUUM CAP)



Halogen Free

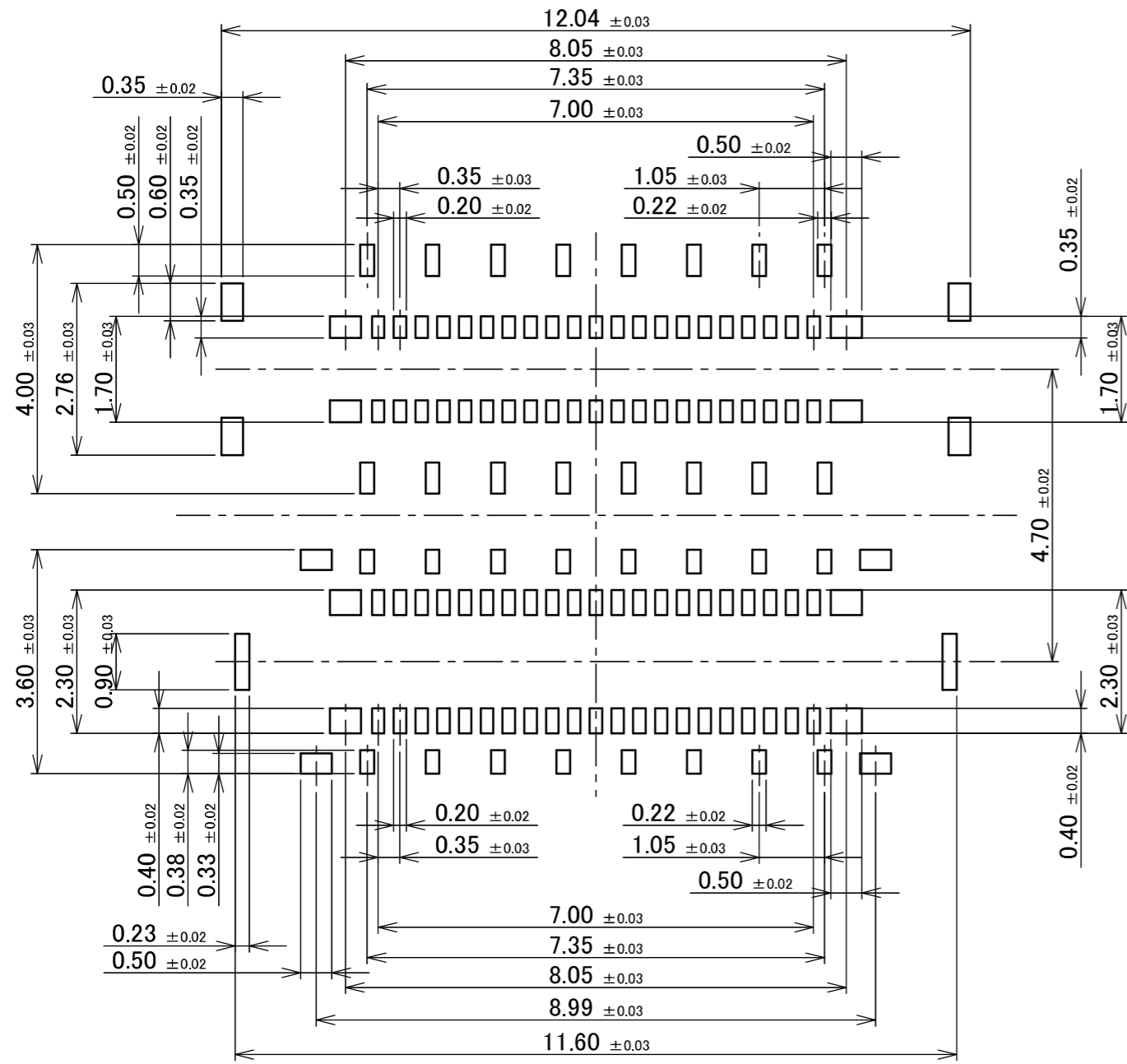


RoHS Compliant

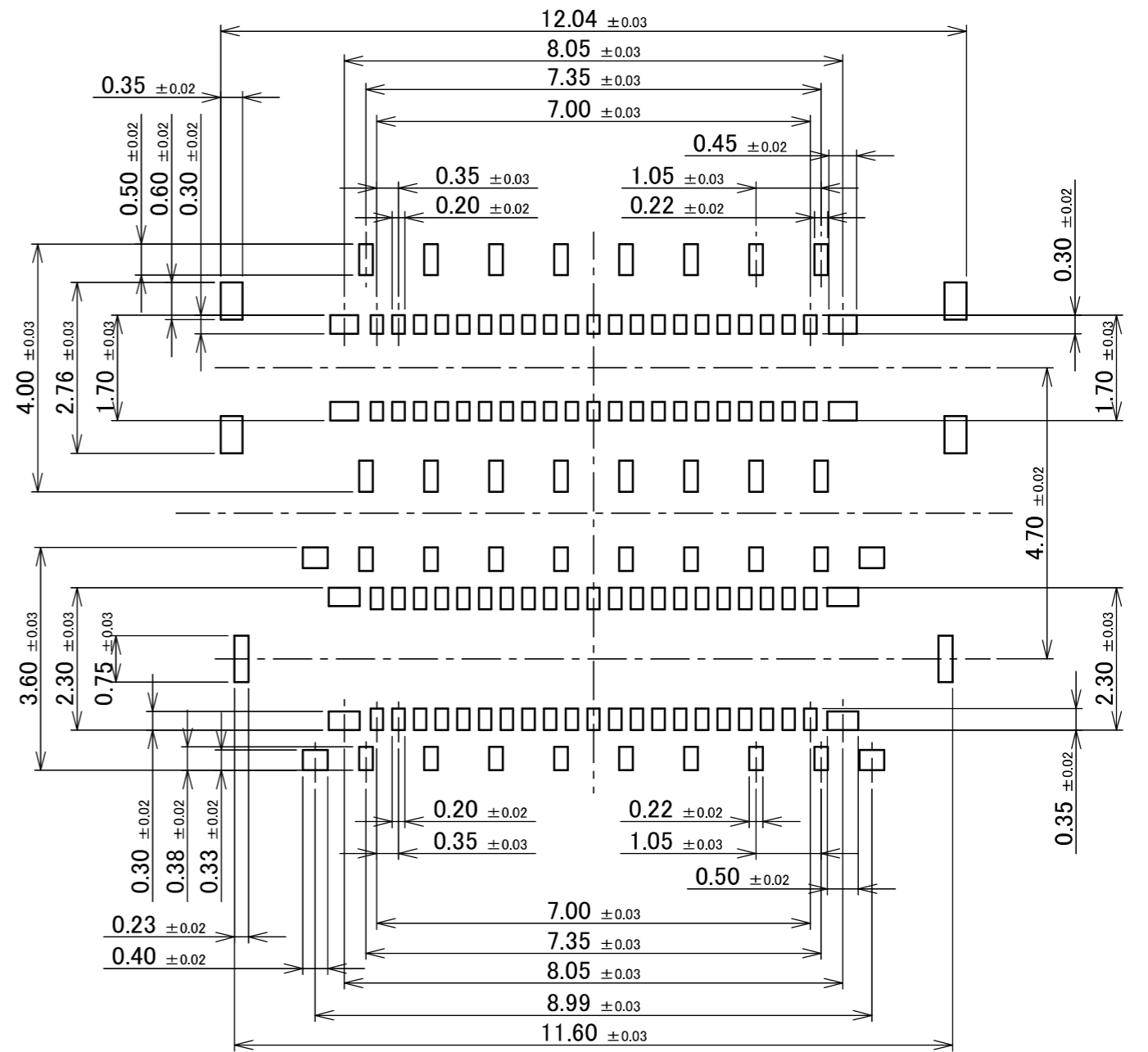
ANGLE	$\pm 2^\circ$	6 OVER 30 MAX.	± 0.3	PROJECTION 	SERIES No. R1	CUSTOMER COPY	
	6 MAX.	± 0.2	30 OVER 120 MAX.				
GENERAL TOLERANCE.				TITLE		SCALE	I-PEX
DWG.	DATE			NOVASTACK® 35-HDP WITH CAP 2-IN-1		10:1	
CHK.						UNIT	
APP.				DWG. No.		mm	SIZE
				21001		A3	SHEET
						2/6	REV.
						4	

ITEMS	SPECIFICATION
APPLICABLE CONNECTOR PART No.	21001-042E-01
RATING VOLTAGE	60V AC (PER CONTACT PIN)
RATING AMPERAGE (FOR SIGNAL CONTACT)	0.3A AC/DC (PER CONTACT PIN)/ 12.0A AC/DC (PER CONNECTOR)
RATING AMPERAGE (FOR POWER CONTACT)	2.2A AC/DC (PER CONTACT PIN)/ 8.8A AC/DC (PER CONNECTOR)
OPERATING TEMPERATURE	233~358K(-40°C~+85°C)
OPERATING HUMIDITY	85% MAX.
CONTACT RESISTANCE (FOR SIGNAL CONTACT)	INITIAL : 40mohm MAX. / AFTER TEST : Δ R 40mohm MAX.
CONTACT RESISTANCE (FOR POWER CONTACT)	INITIAL : 20mohm MAX. / AFTER TEST : Δ R 20mohm MAX.
CONTACT RESISTANCE (FOR GROUND)	INITIAL : 20mohm MAX. / AFTER TEST : Δ R 20mohm MAX.
INSULATION RESISTANCE	INITIAL : 1000Mohm MIN. / AFTER TEST : 500Mohm MIN.
DIELECTRIC WITHSTANDING VOLTAGE	AC250V (r.m.s.) 1min
DURABILITY	20 CYCLES
MATING FORCE (INITIAL / AFTER TEST)	150.0N MAX.
UNMATING FORCE (INITIAL / AFTER TEST)	9.2N MIN.
COPLANARITY	0.10 MAX.
PRODUCT SPECIFICATION	PRS-2726
TEST REPORT	TR-21035
PACKING STANDARD	PST-21062
INSTRUCTION MANUAL	HIM-21007
APPEARANCE CRITERIA No.	QLS-A***

ANGLE	$\pm 2^\circ$	6 OVER 30 MAX.	± 0.3	PROJECTION 	SERIES No. R1	CUSTOMER COPY		
6 MAX.	± 0.2	30 OVER 120 MAX.	± 0.5					
GENERAL TOLERANCE.				TITLE NOVASTACK® 35-HDP WITH CAP 2-IN-1	SCALE 10:1	I-PEX		
DWG.	DATE							
CHK.								
APP.								
				DWG. No.	21001	SIZE A3	SHEET 3/6	REV. 4

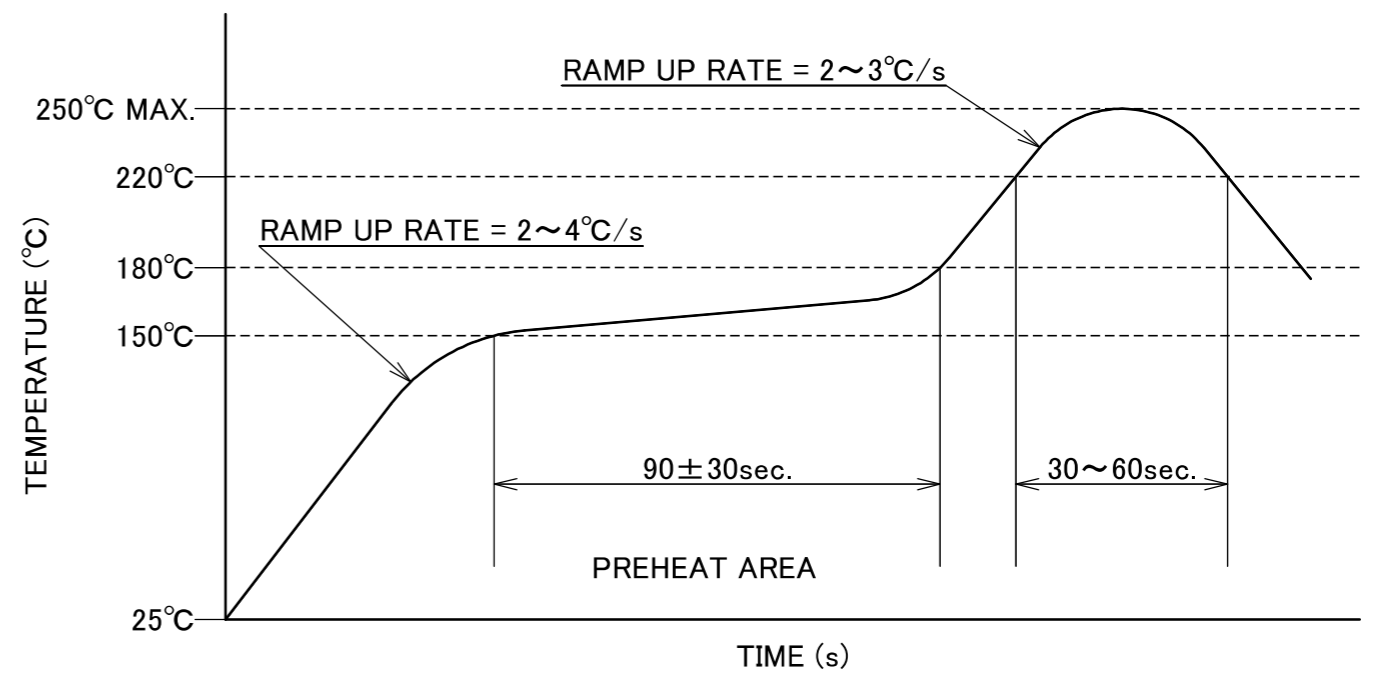
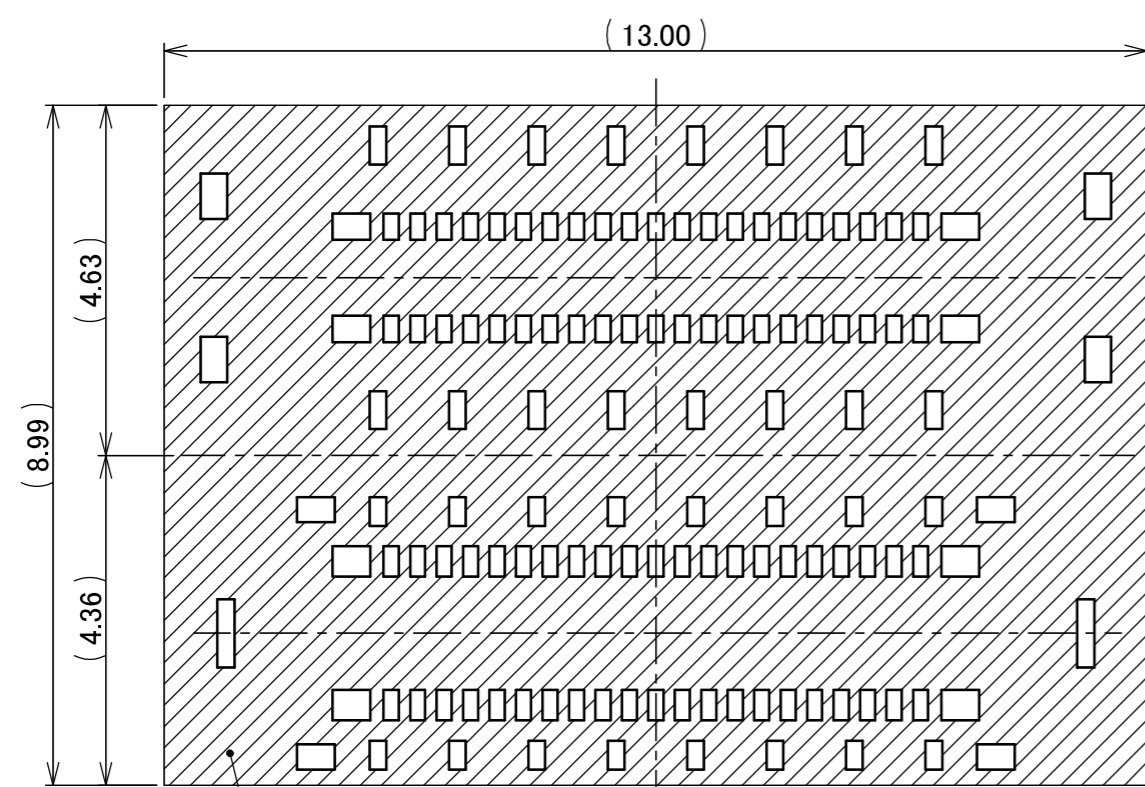
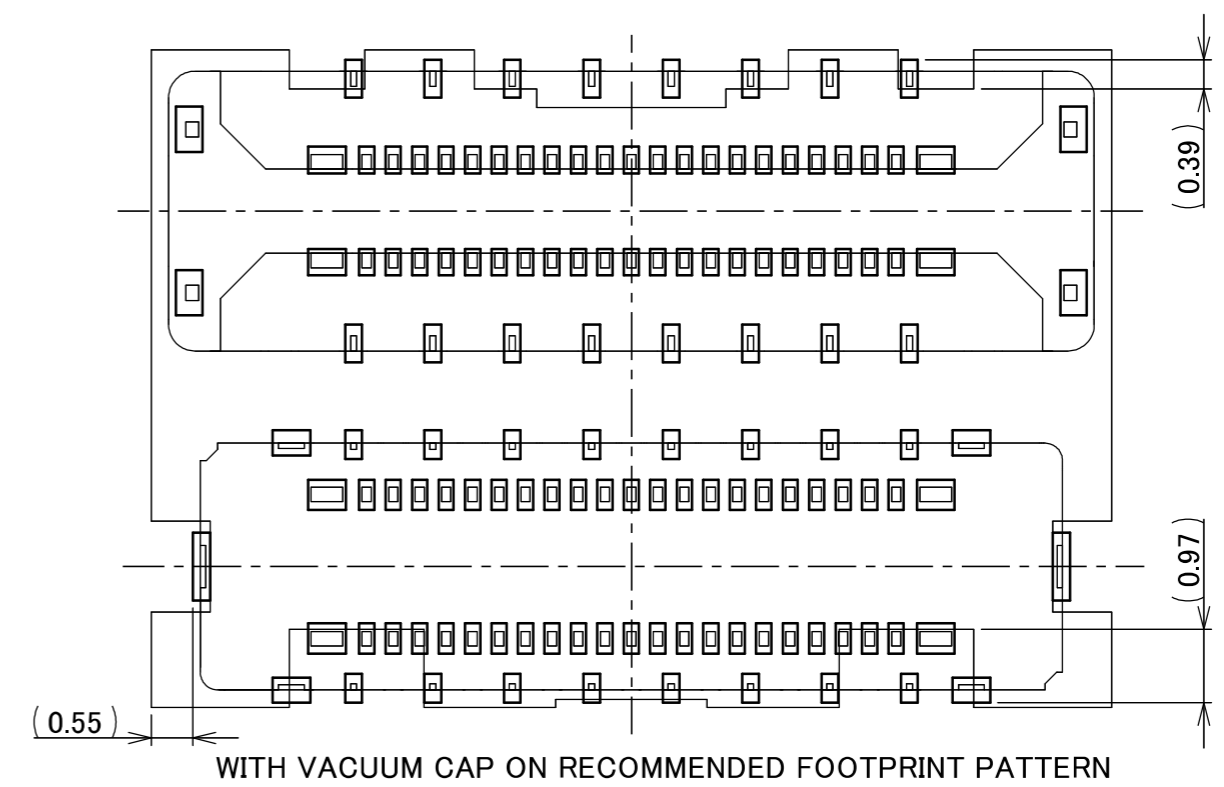
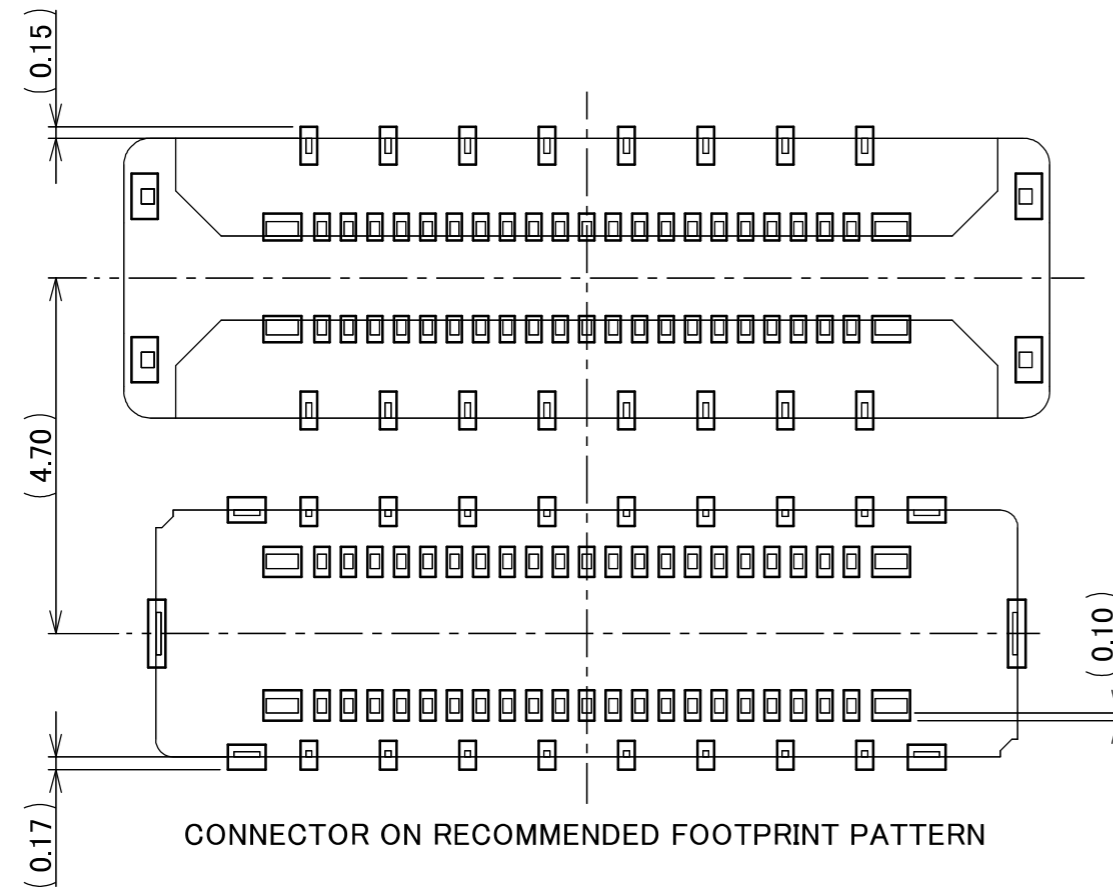


RECOMMENDED PATTERN LAYOUT



RECOMMENDED METAL MASK LAYOUT
THICKNESS : t=0.12

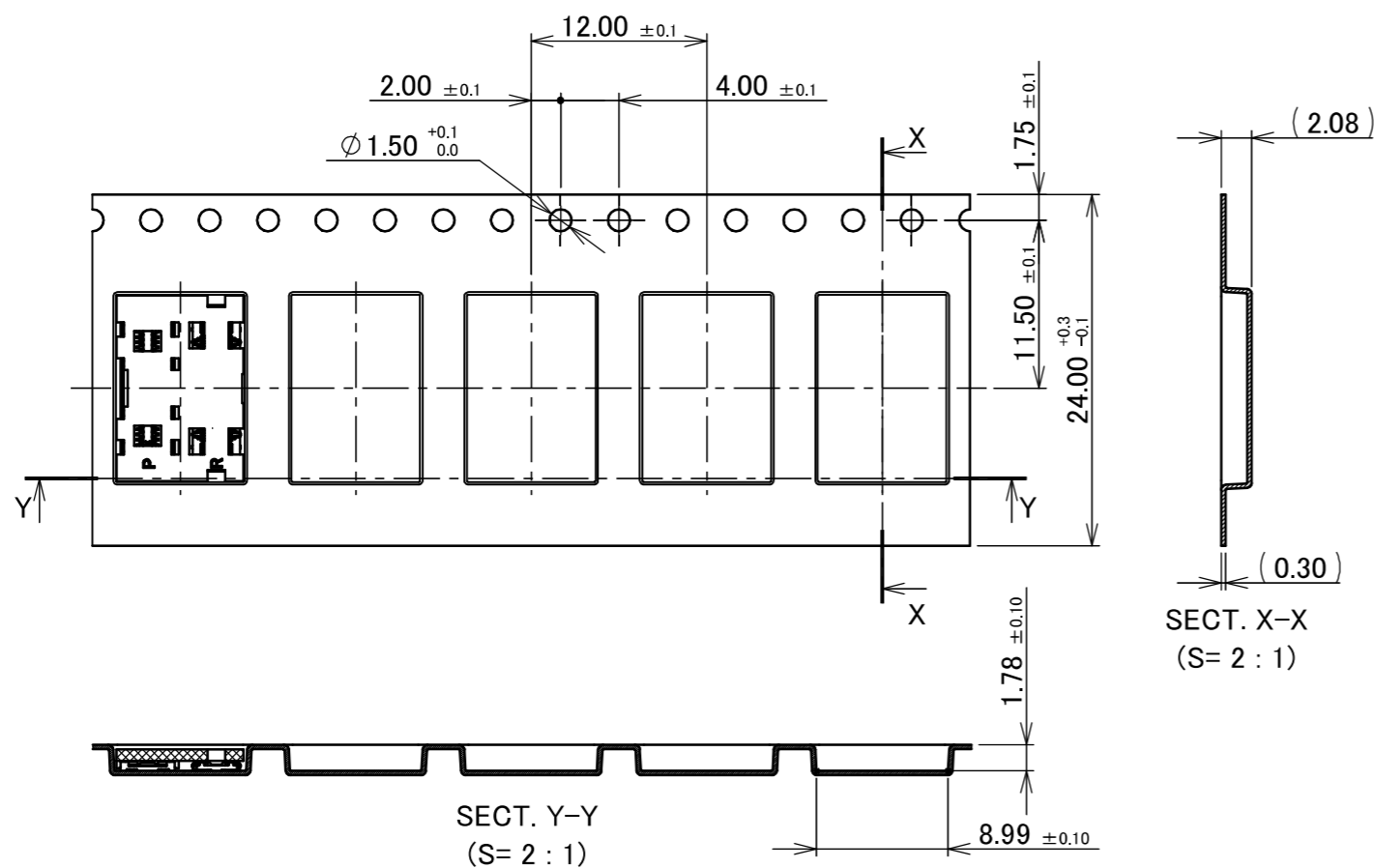
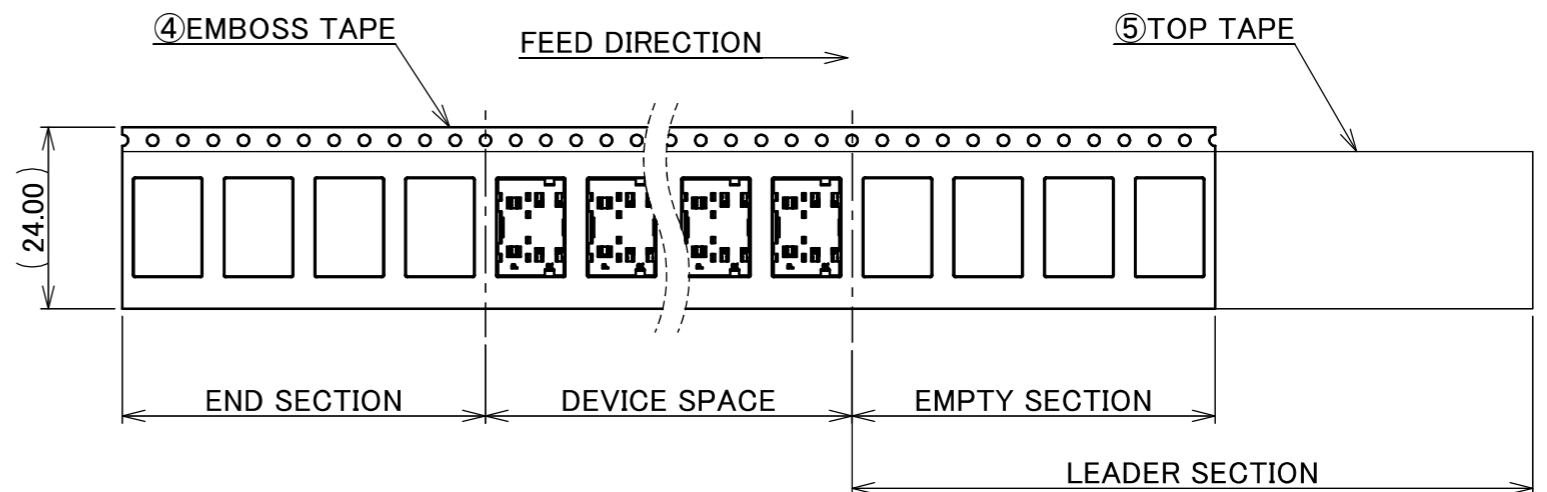
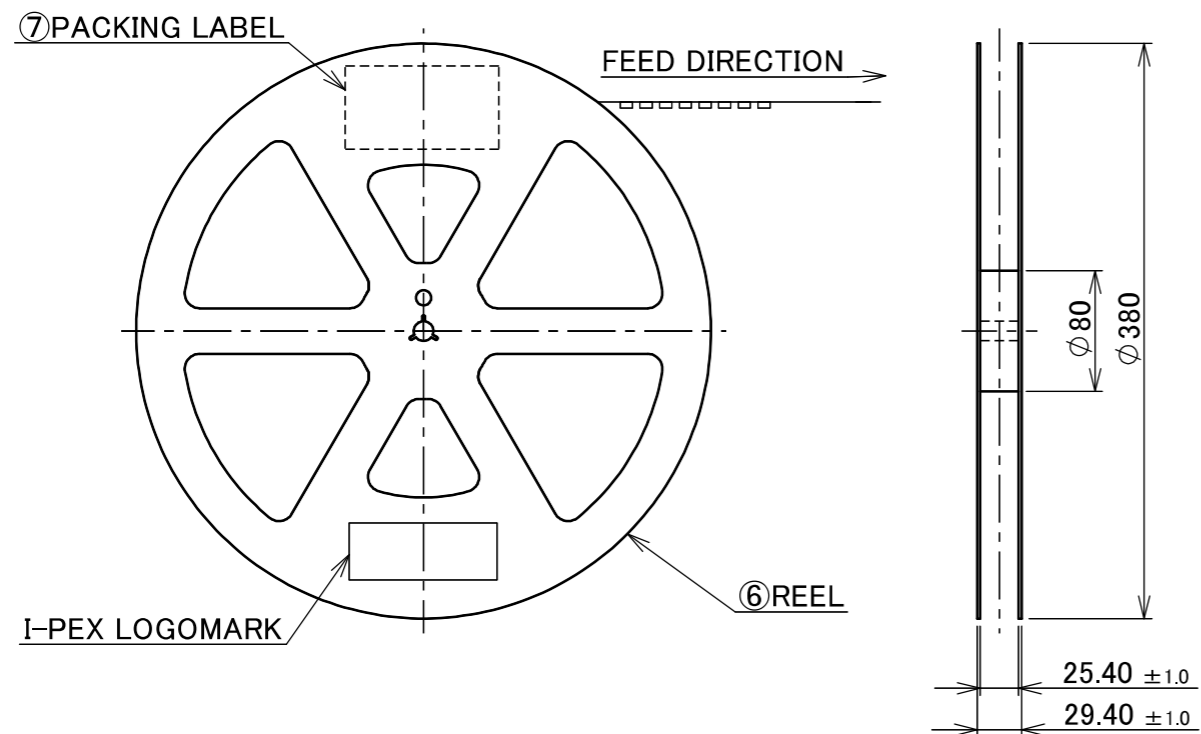
ANGLE	±2°	6 OVER 30 MAX.	±0.3	PROJECTION ⊕	SERIES No. R1	CUSTOMER COPY		
	6 MAX.	±0.2	30 OVER 120 MAX.					±0.5
GENERAL TOLERANCE.				TITLE		SCALE	I-PEX	
DWG.	DATE			NOVASTACK® 35-HDP WITH CAP 2-IN-1		10:1		
CHK.						UNIT mm		
APP.				DWG. No.	21001	SIZE A3	SHEET 4/6	REV. 4



REFLOW TEMPERATURE PROFILE
 SENJU METAL INDUSTRY CO., LTD. : M705-SHF(Sn96.5 Ag3.0 Cu0.5)

ANGLE	±2°	6 OVER 30 MAX.	±0.3	PROJECTION 	SERIES No. R1	CUSTOMER COPY			
	6 MAX.	±0.2	30 OVER 120 MAX.						±0.5
GENERAL TOLERANCE.				TITLE		SCALE			
DWG.	DATE			NOVASTACK® 35-HDP WITH CAP 2-IN-1		10:1			
CHK.						UNIT			
APP.						mm			
				DWG. No.	21001	SIZE	SHEET	REV.	
						A3	5/6	4	

PART NO.	QTY. PER EMBOSS REEL (PIECES / REEL)	QTY. PER PACKING CARTON
21001-042E-01	3,000 / REEL	3,000 × 5 REELS = 15,000



NOTES.

- TAPING SPECIFICATION FOLLOWS JIS C 0806 (IEC 60286-3)
- MAKE EMPTY SECTION OF LEADER AND END ON EACH END OF THE TAPE.
- TOP TAPE SHALL NOT STICK OUT FROM EMBOSS TAPE.
- TOP TAPE SHALL NOT COVER FEED HOLE.

NO.	DESCRIPTION	MATERIAL	FINISH, REMARKS
7	PACKING LABEL	-	-
6	REEL	PS	ANTI-STATIC TYPE BLACK
5	TOP TAPE	PET TRANSPARENCY	ANTI-STATIC TYPE
4	EMBOSS TAPE	PS TRANSPARENCY	ANTI-STATIC TYPE

ANGLE	± 2°	6 OVER 30 MAX.	± 0.3	PROJECTION R1	SERIES No. R1	CUSTOMER COPY
6 MAX.	± 0.2	30 OVER 120 MAX.	± 0.5			
GENERAL TOLERANCE.				TITLE NOVASTACK® 35-HDP WITH CAP 2-IN-1	SCALE 1:X	UNIT mm
DWG.	DATE					
CHK.						
APP.						
DWG. No. 21001				SIZE A3	SHEET 6/6	REV. 4