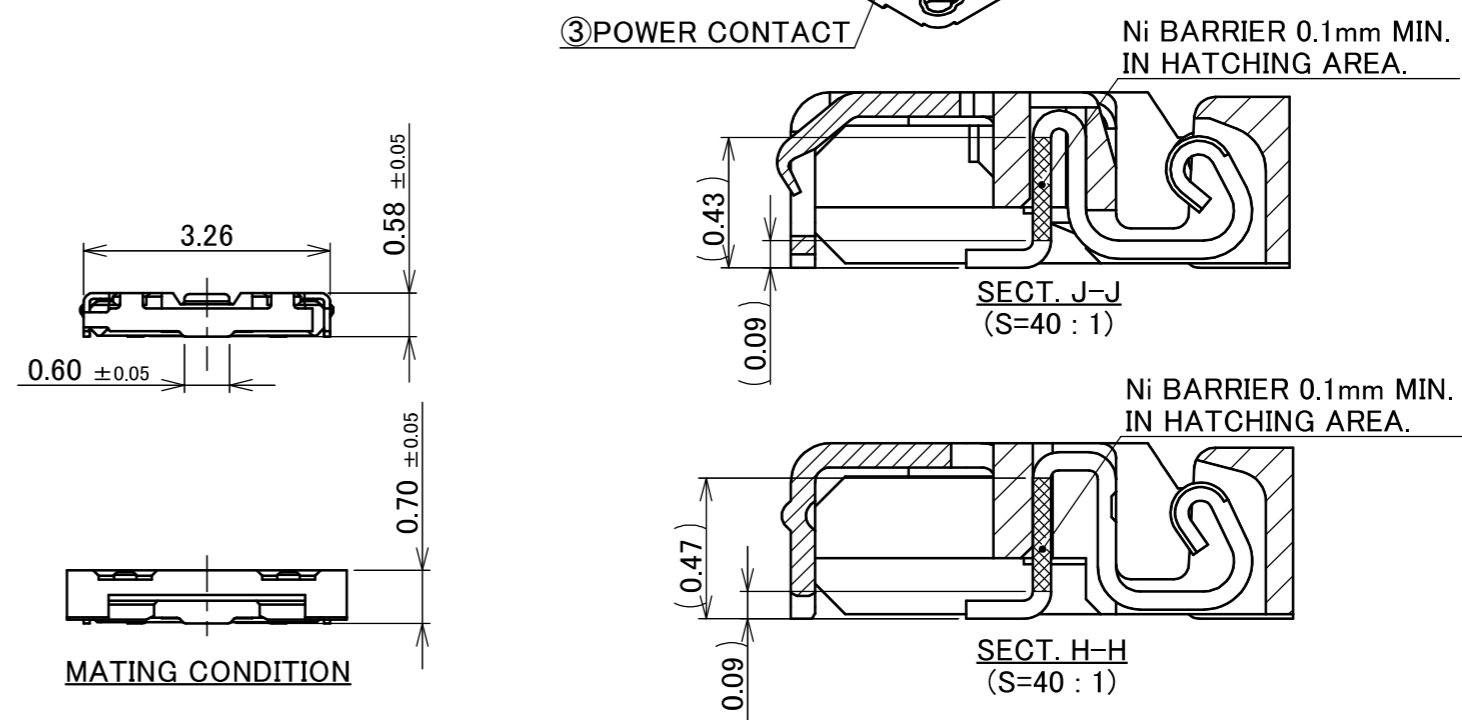
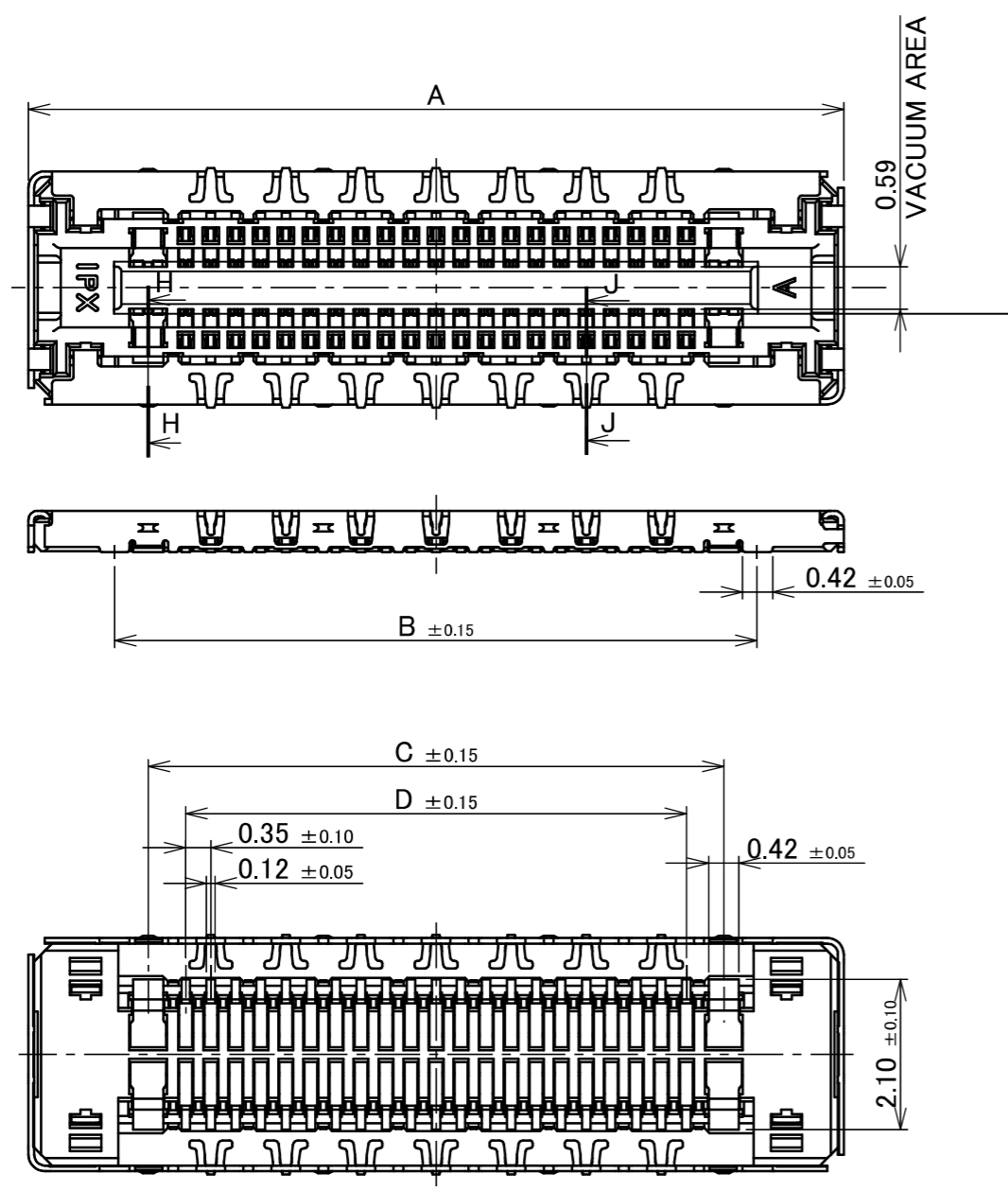
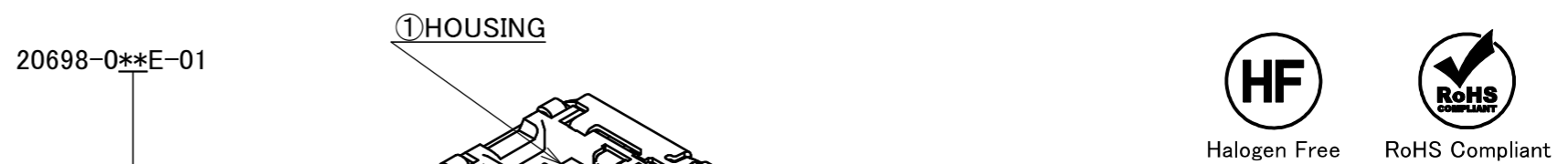


Recommended P/N 20698-0**E-01

PART No.	SIGNAL POS.	POWER POS.	A	B	C	D
20698-016E-01	16P	4P	6.85	4.44	3.50	2.45
20698-028E-01	28P	4P	8.95	6.54	5.60	4.55
20698-034E-01	34P	4P	10.00	7.59	6.65	5.60
20698-042E-01	42P	4P	11.40	8.99	8.05	7.00
20698-056E-01	56P	4P	13.85	11.44	10.50	9.45
20698-062E-01	62P	4P	14.90	12.49	11.55	10.50

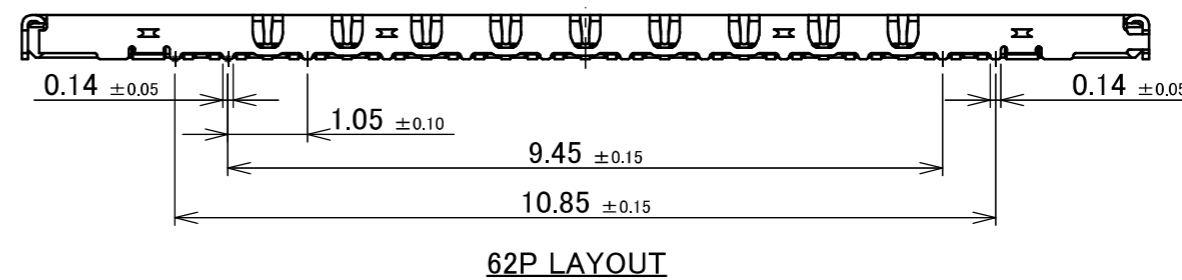
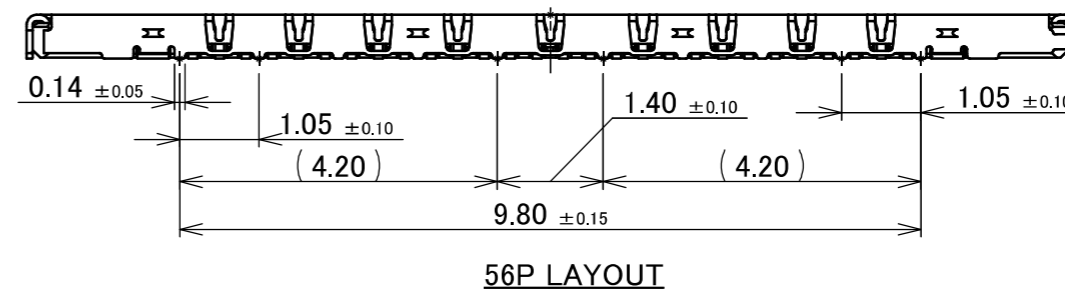
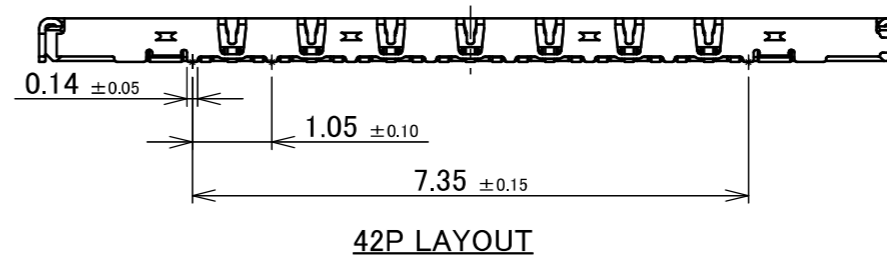
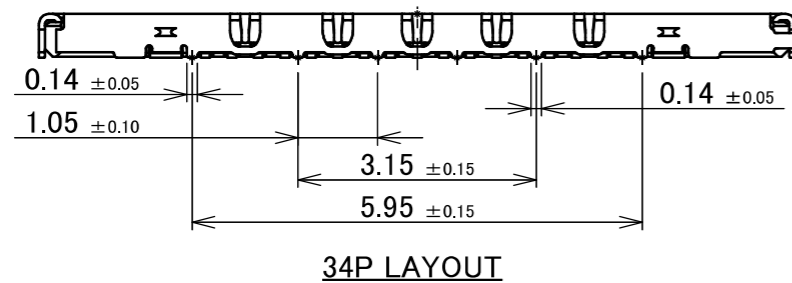
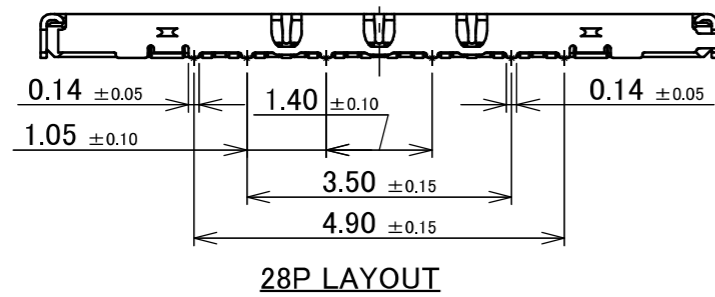
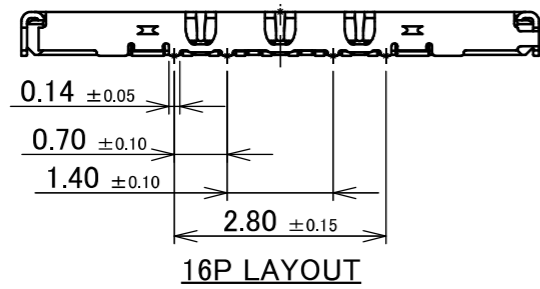


No.	DISCRIPTION	MATERIAL	FINISH , REMARKS
4	SHELL	PHOSPHOR BRONZE	ALL OVER Ni 1.27 μ m MIN. Au 0.01 μ m MIN.
3	POWER CONTACT	CORSON ALLOY	ALL OVER Ni 1.27 μ m MIN. CONTACT PART Au 0.05 μ m MIN. SOLDERING PART Au 0.02 μ m MIN.
2	CONTACT	CORSON ALLOY	ALL OVER Ni 1.27 μ m MIN. CONTACT PART Au 0.10 μ m MIN. SOLDERING PART Au 0.02 μ m MIN.
1	HOUSING	LCP	UL94V-0, BLACK

REV.	ECN	BY	DATE	APP.	APP.	CHK.	DATE	ANGLE	±2°	6 OVER 30 MAX.	±0.3	PROJECTION	SERIES No.	TITLE	SCALE	UNIT	SHEET	REV.
17	ZC00803	X.Z	2026/07/06	S.S				ANGLE	±2°	6 OVER 30 MAX.	±0.3	PROJECTION	R2	CUSTOMER COPY	10:1	mm	1/9	17
16	ZC00774	X.Z	2026/06/23	S.S				6 MAX.	±0.2	30 OVER 120 MAX.	±0.5							
15	ZC00256	C.K	2025/11/12	S.S	GENERAL TOLERANCE.													
14	ZC00085	C.K	2025/09/09	S.S	DWG.	T.Kurachi	2016/01/13							NOVASTACK® 35-HDP RECEPTACLE ASSEMBLY				
13	Z250489	TMT	2025/03/26	S.S														
12	Z241223	Y.F	2024/09/09	S.S														
REV.	ECN	BY	DATE	APP.	J.Tateishi													

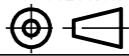

PART No.	SIGNAL POS.	POWER POS.
20698-016E-01	16P	4P
20698-028E-01	28P	4P
20698-034E-01	34P	4P
20698-042E-01	42P	4P
20698-056E-01	56P	4P
20698-062E-01	62P	4P

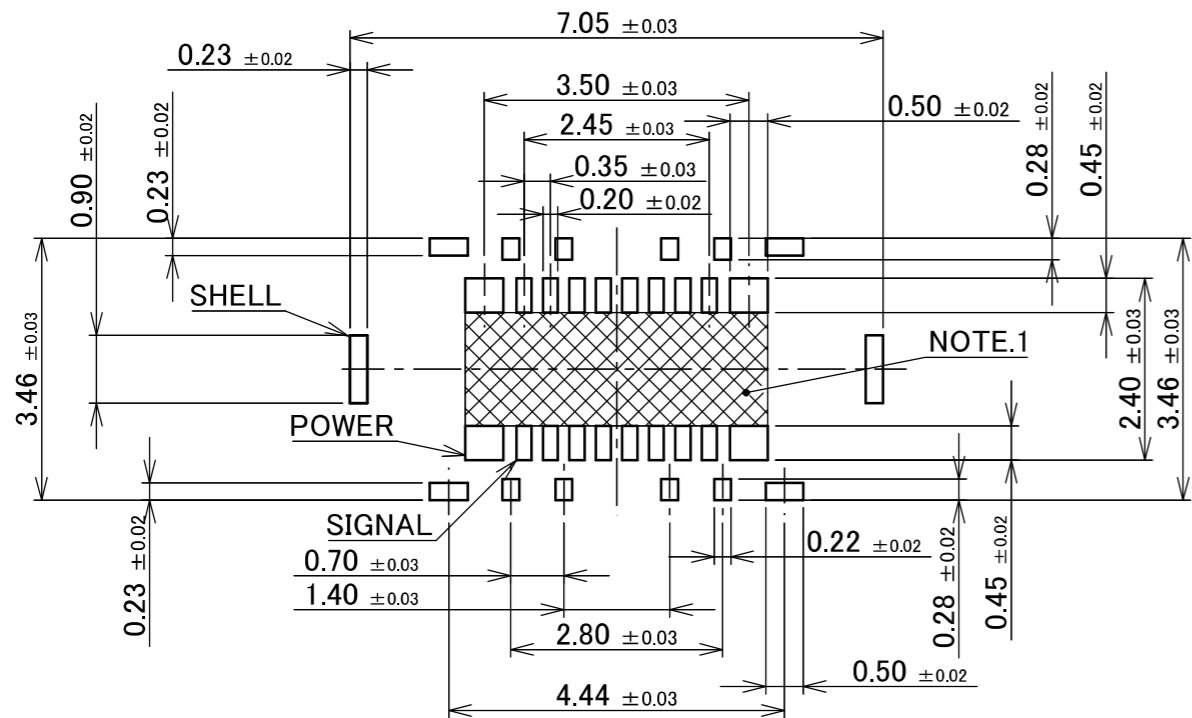
20698-0**E-01
Pos.



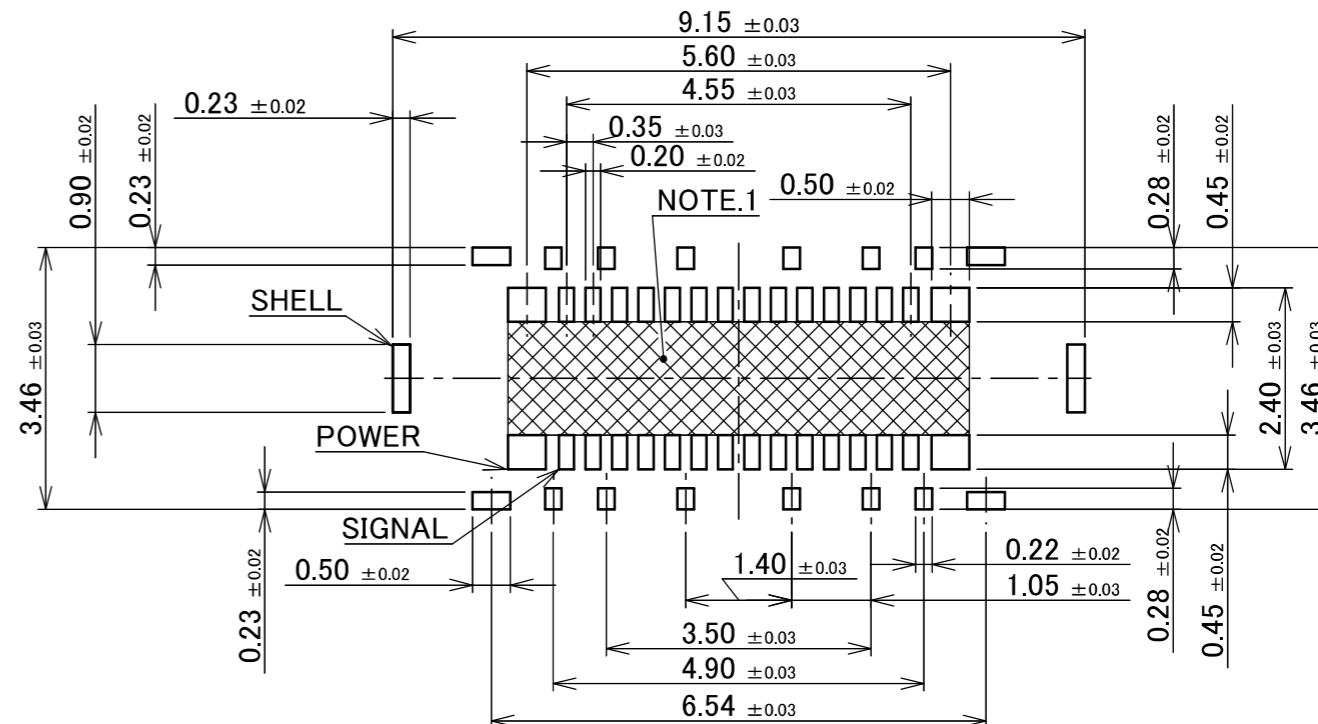
ANGLE	±2°	6 OVER 30 MAX.	±0.3	PROJECTION ⊕	SERIES No. R2	CUSTOMER COPY			
6 MAX.	±0.2	30 OVER 120 MAX.	±0.5						
GENERAL TOLERANCE.				TITLE		SCALE	I-PEX		
DWG.	DATE			NOVASTACK® 35-HDP RECEPTACLE ASSEMBLY		10:1			
CHK.						UNIT			
APP.				DWG. No. 20698		mm			
						SIZE	SHEET	REV.	
						A3	2/9	17	

ITEMS	SPECIFICATION
APPLICABLE CONNECTOR PART No.	20697-0**E-01
RATED VOLTAGE	60V AC (PER CONTACT PIN)
RATED AMPERAGE (FOR SIGNAL CONTACT)	0.3A AC/DC (PER CONTACT PIN)/ 12.0A AC/DC(TOTAL)
RATED AMPERAGE (FOR POWER CONTACT)	4.5A AC/DC (PER CONTACT PIN)/ 18.0A AC/DC(TOTAL)
OPERATING TEMPERATURE	233~358K(-40°C~+85°C)
OPERATING HUMIDITY	85% MAX.
CONTACT RESISTANCE (FOR SIGNAL CONTACT)	INITIAL : 40mohm MAX. / AFTER TEST : \triangle 40mohm MAX.
CONTACT RESISTANCE (FOR POWER CONTACT)	INITIAL : 20mohm MAX. / AFTER TEST : \triangle 20mohm MAX.
CONTACT RESISTANCE (FOR GROUND)	INITIAL : 20mohm MAX. / AFTER TEST : \triangle 20mohm MAX.
INSULATION RESISTANCE	INITIAL : 1,000Mohm MIN. / AFTER TEST : 500Mohm MIN.
DIELECTRIC WITHSTANDING VOLTAGE	AC 250V 1 min
DURABILITY	30 CYCLES
MATING FORCE (INITIAL / AFTER TEST)	16P: 32.0 N MAX. 28P: 32.0 N MAX. 34P: 38.0 N MAX. 42P: 46.0 N MAX. 56P: 60.0 N MAX. 62P: 66.0 N MAX.
UNMATING FORCE (INITIAL / AFTER TEST)	16P: 3.2 N MIN. 28P: 3.2 N MIN. 34P: 3.8 N MIN. 42P: 4.6 N MIN. 56P: 6.0 N MIN. 62P: 6.6 N MIN.
COPLANARITY	0.08 MAX.
PRODUCT SPECIFICATION	PRS-2187
TEST REPORT	TR-16014
PACKING STANDARD	PST-15084
INSTRUCTION MANUAL	HIM-15020
APPEARANCE CRITERIA No.	QLS-A***

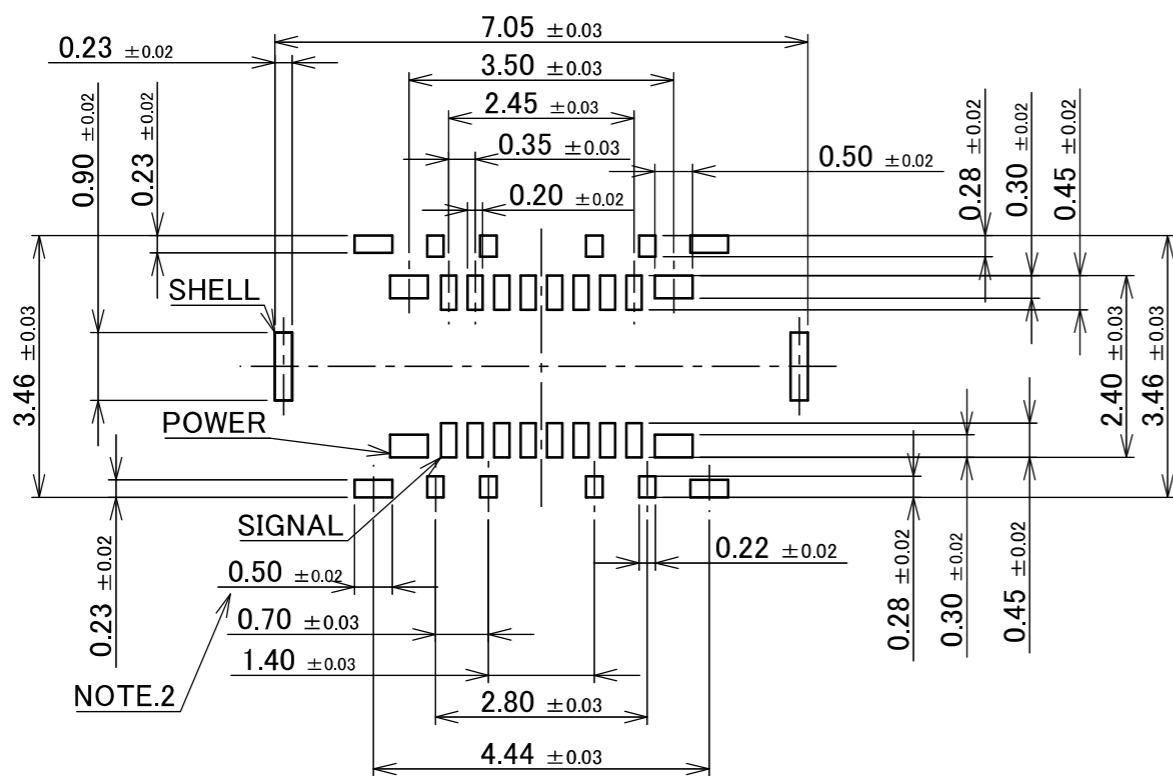
ANGLE	$\pm 2^\circ$	6 OVER 30 MAX.	± 0.3	PROJECTION 	SERIES No. R2	CUSTOMER COPY		
6 MAX.	± 0.2	30 OVER 120 MAX.	± 0.5					
GENERAL TOLERANCE.				TITLE NOVASTACK® 35-HDP RECEPTACLE ASSEMBLY	SCALE 10:1			
DWG.	DATE							
CHK.								
APP.								
				DWG. No.	20698	SIZE A3	SHEET 3/9	REV. 17



RECOMMENDED PATTREN LAYOUT (16P)

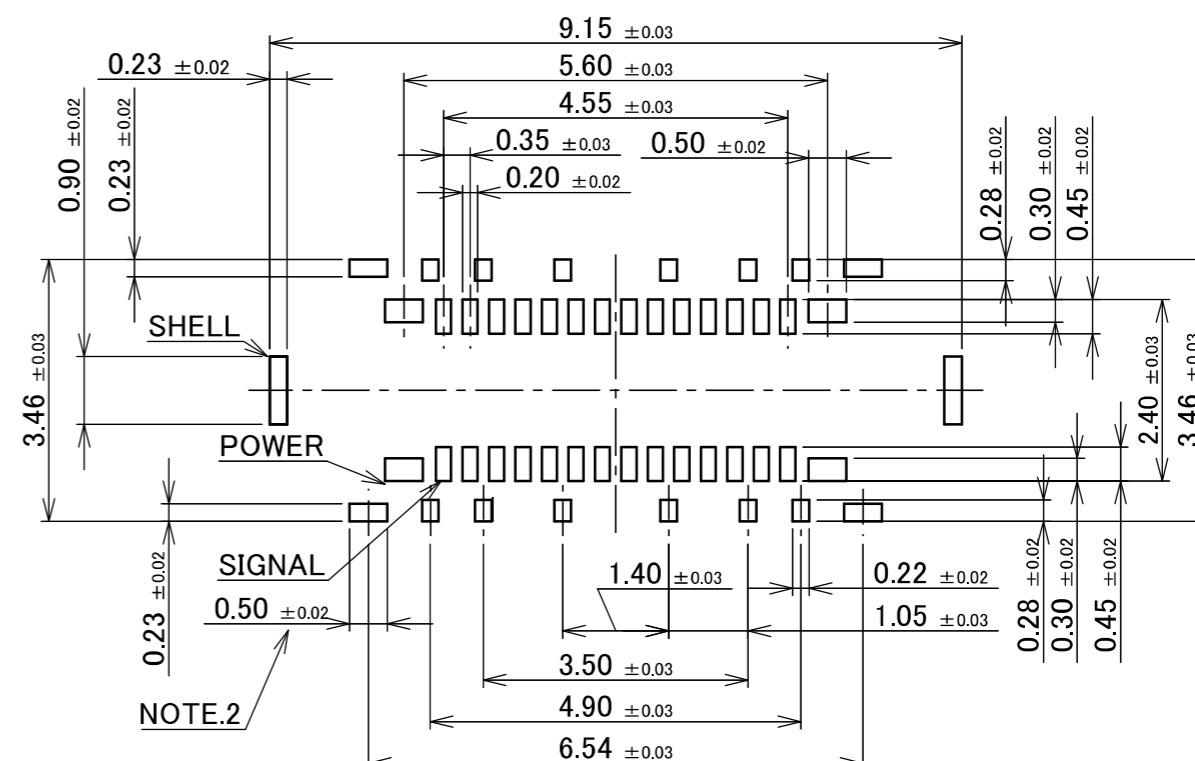


RECOMMENDED PATTERN LAYOUT (28P)



RECOMMENDED METAL MASK LAYOUT (16P)

THICKNESS : t=0.10mm



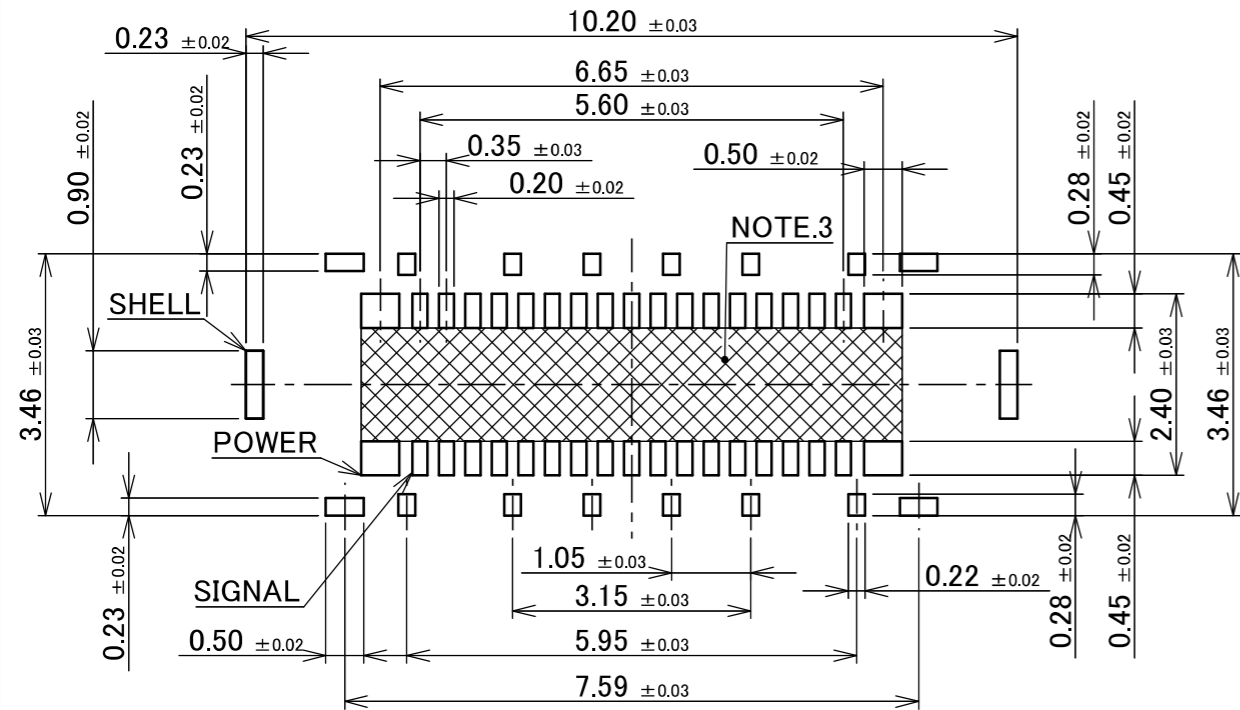
RECOMMENDED METAL MASK LAYOUT (28P)

THICKNESS : t=0.10mm

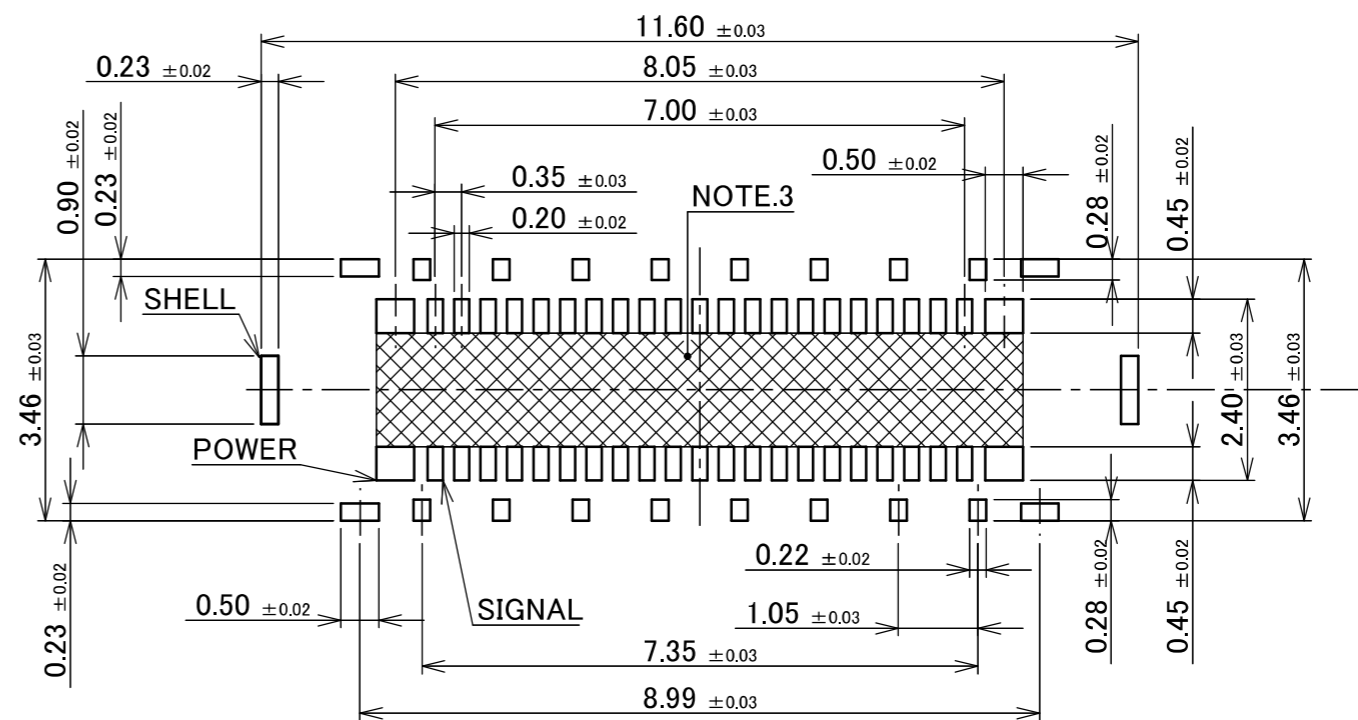
NOTES.

1. SOLDER RESIST MUST BE APPLIED TO THIS AREA.
2. WHEN THE THICKNESS OF THE METAL MASK IS 0.12 mm, PLEASE SET IT TO 0.41 mm.

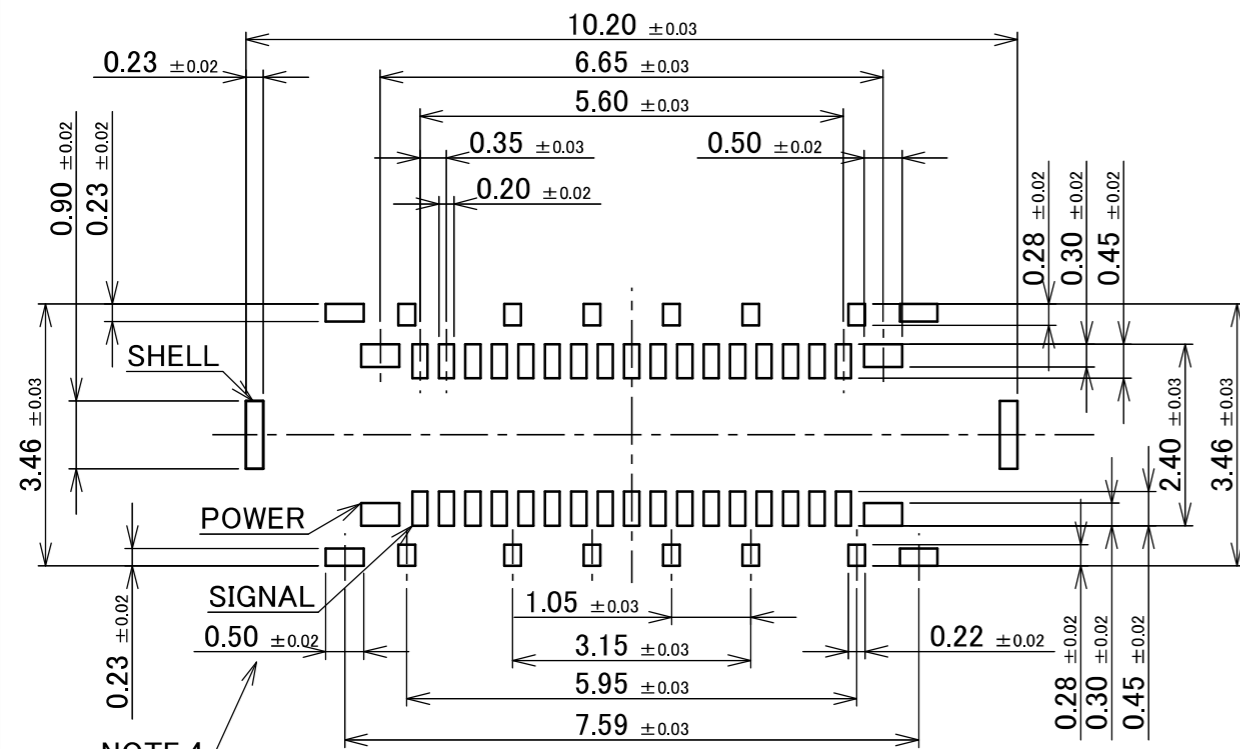
ANGLE	±2°	6 OVER 30 MAX.	±0.3	PROJECTION ⊕	SERIES No. R2	CUSTOMER COPY		
	6 MAX.	±0.2	30 OVER 120 MAX.					±0.5
GENERAL TOLERANCE.				TITLE NOVASTACK® 35-HDP RECEPTACLE ASSEMBLY	SCALE 10:1	UNIT mm		
DWG.	DATE							
CHK.								
APP.								
				DWG. No.	20698	SIZE A3	SHEET 4/9	REV. 17



RECOMMENDED PATTERN LAYOUT (34P)

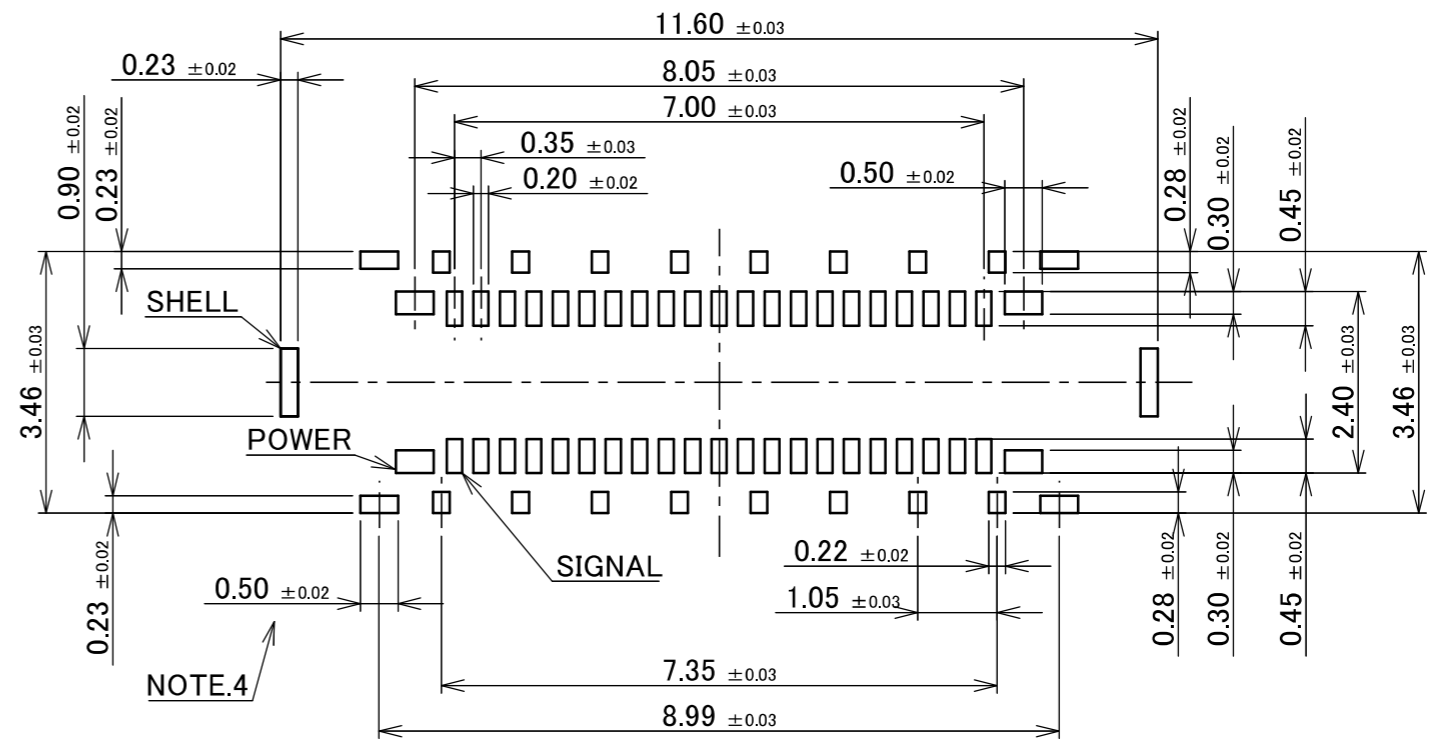


RECOMMENDED PATTERN LAYOUT (42P)



RECOMMENDED METAL MASK LAYOUT (34P)

THICKNESS : t=0.10mm

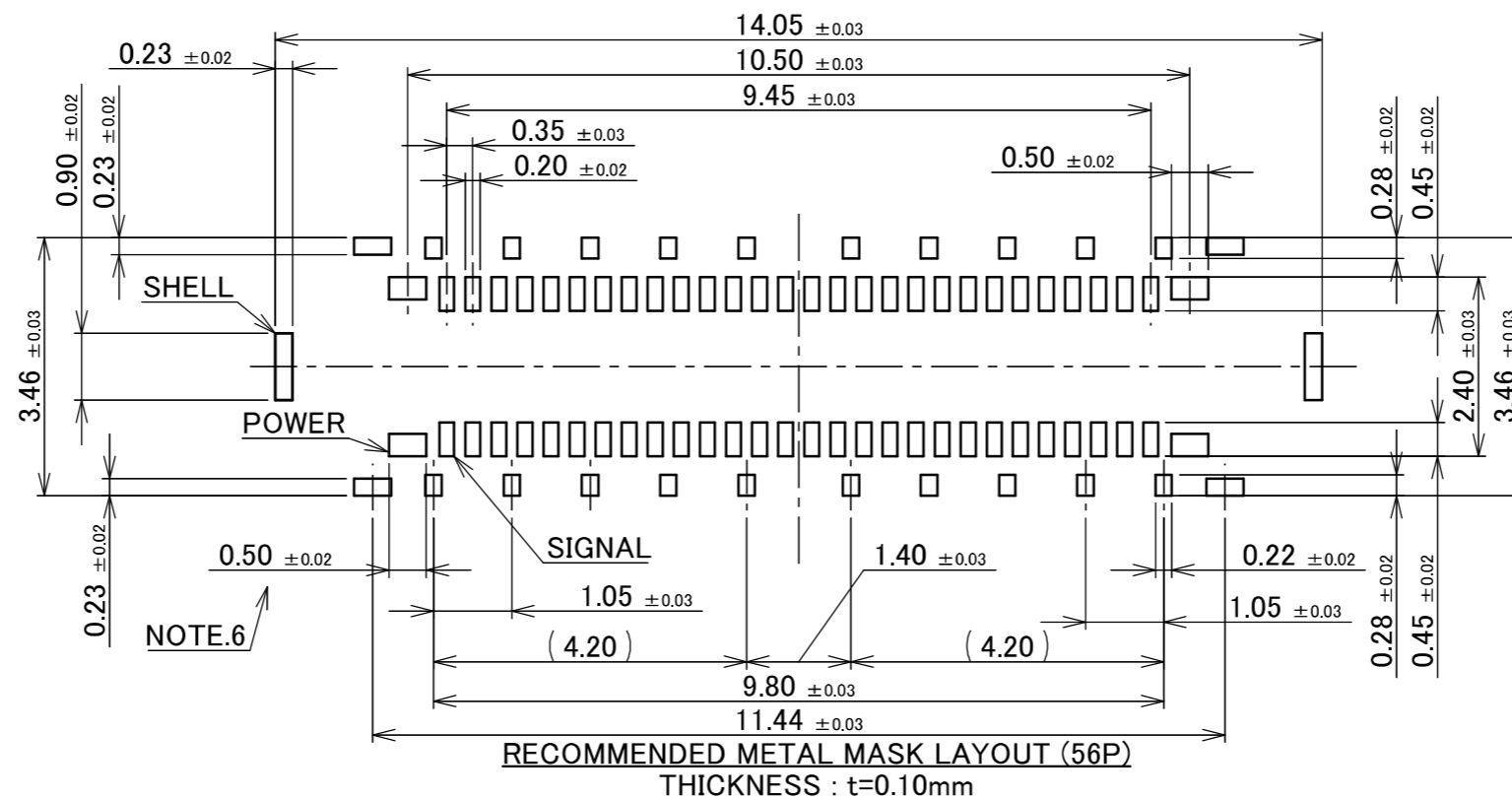
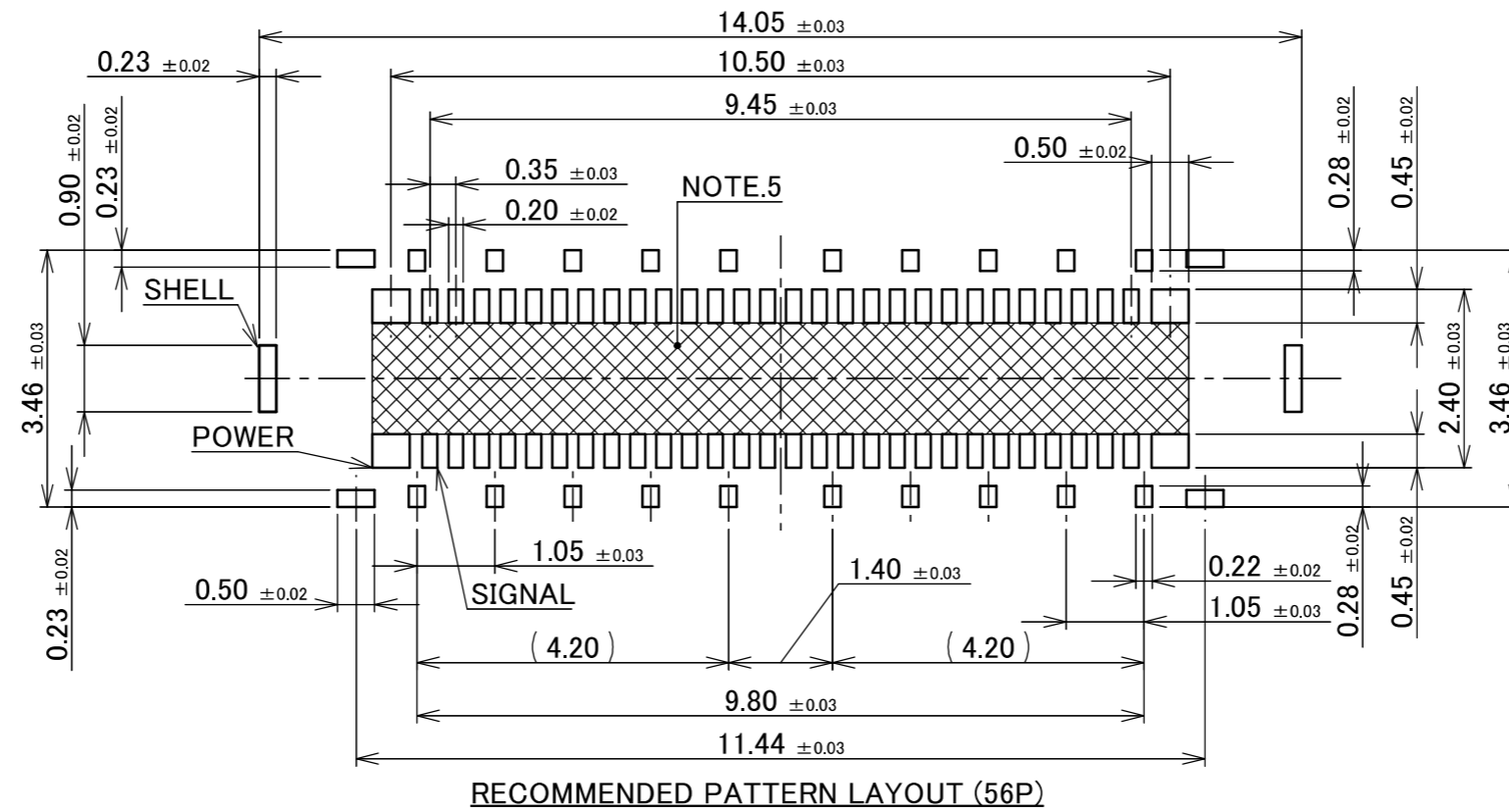


RECOMMENDED METAL MASK LAYOUT (42P)

THICKNESS : t=0.10mm

- NOTES.
 3. SOLDER RESIST MUST BE APPLIED TO THIS AREA.
 4. WHEN THE THICKNESS OF THE METAL MASK IS 0.12 mm, PLEASE SET IT TO 0.41 mm.

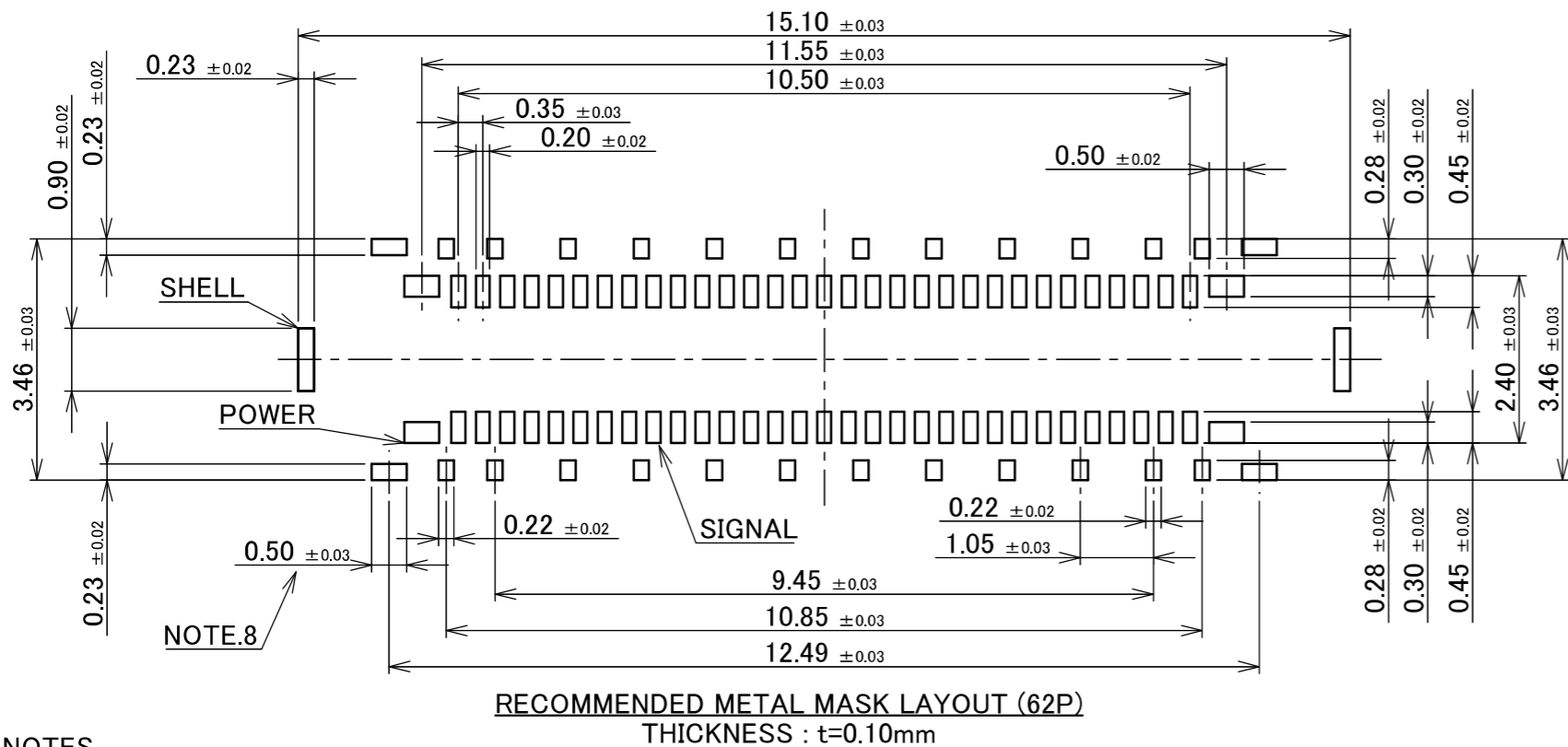
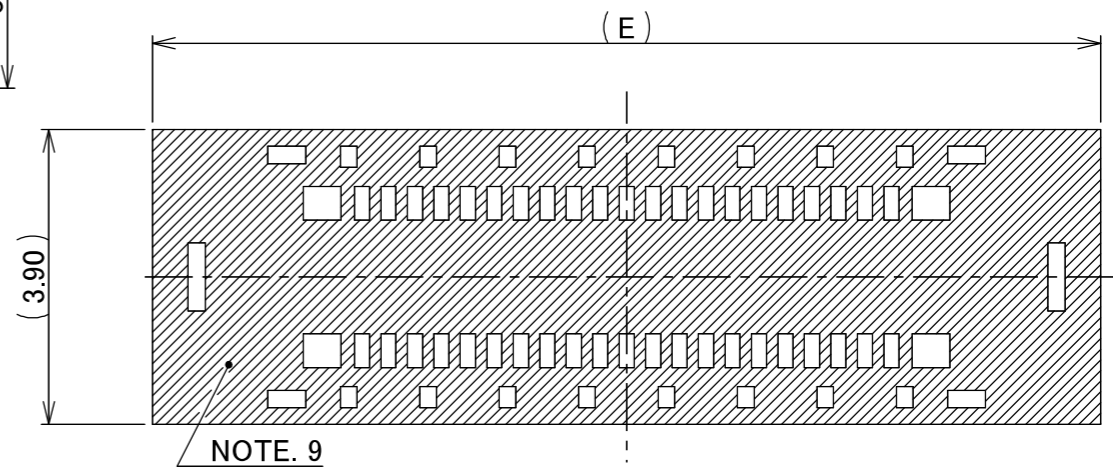
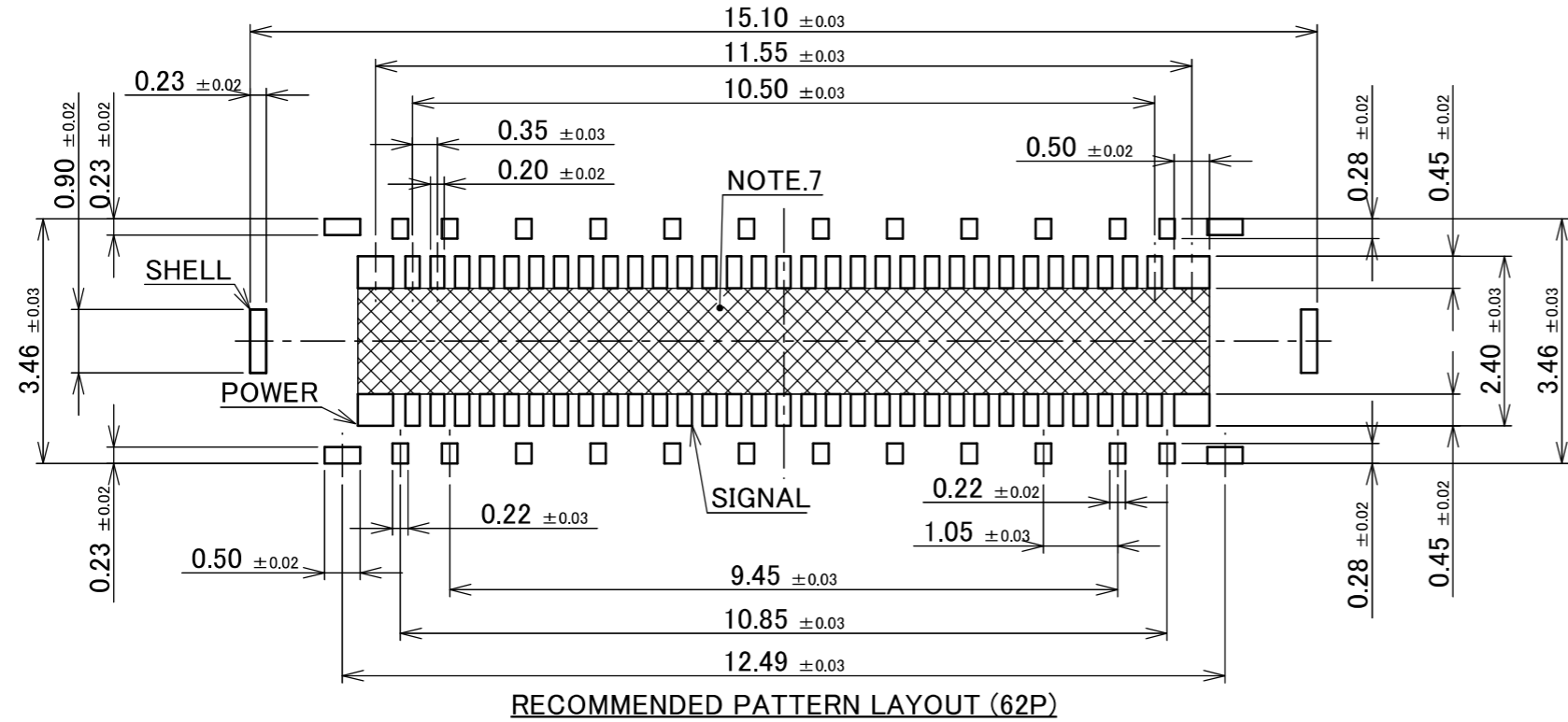
ANGLE	±2°	6 OVER 30 MAX.	±0.3	PROJECTION 	SERIES No. R2	CUSTOMER COPY	
	6 MAX.	±0.2	30 OVER 120 MAX.				
GENERAL TOLERANCE.				TITLE		SCALE	I-PEX
DWG.	DATE			NOVASTACK® 35-HDP RECEPTACLE ASSEMBLY		10:1	
CHK.						UNIT	
APP.				DWG. No. 20698		mm	
				SIZE		SHEET	REV.
				A3		5/9	17



- NOTES.
 5. SOLDER RESIST MUST BE APPLIED TO THIS AREA.
 6. WHEN THE THICKNESS OF THE METAL MASK IS 0.12 mm, PLEASE SET IT TO 0.41 mm.

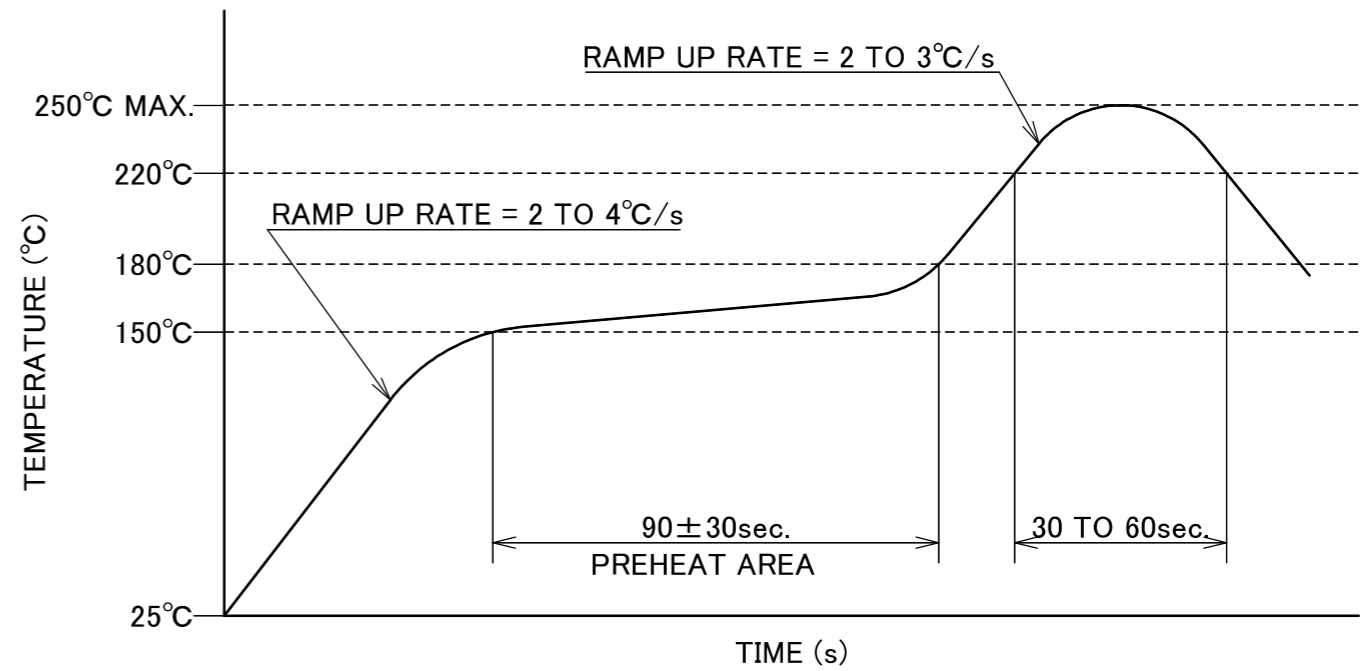
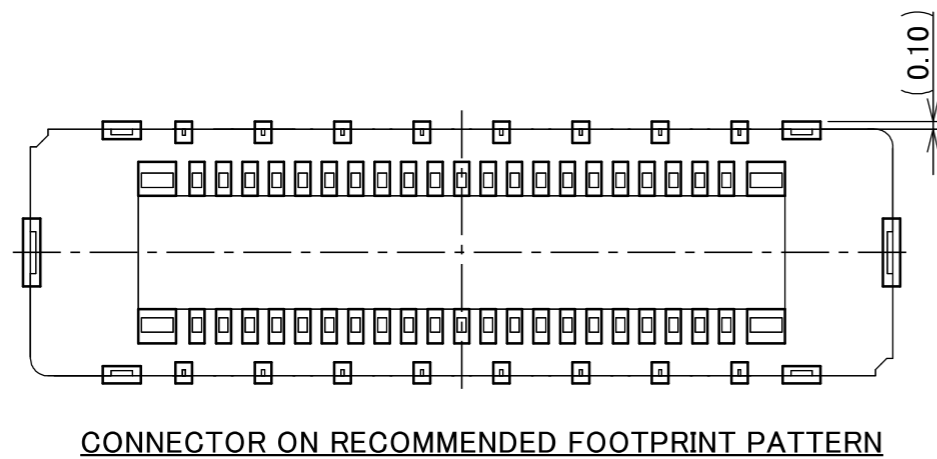
ANGLE	±2°	6 OVER 30 MAX.	±0.3	PROJECTION 	SERIES No. R2	CUSTOMER COPY			
	6 MAX.	±0.2	30 OVER 120 MAX.						±0.5
GENERAL TOLERANCE.				TITLE NOVASTACK® 35-HDP RECEPTACLE ASSEMBLY	SCALE 10:1	I-PEX			
DWG.	DATE								UNIT mm
CHK.									SIZE A3
APP.									SHEET 6/9
				DWG. No.	20698				

PART No.	SIGNAL POS.	POWER POS.	E
20698-016E-01	16P	4P	7.99
20698-028E-01	28P	4P	10.09
20698-034E-01	34P	4P	11.14
20698-042E-01	42P	4P	12.54
20698-056E-01	56P	4P	14.99
20698-062E-01	62P	4P	16.04



- NOTES.
7. SOLDER RESIST MUST BE APPLIED TO THIS AREA.
 8. WHEN THE THICKNESS OF THE METAL MASK IS 0.12 mm, PLEASE SET IT TO 0.41 mm.
 9. THIS AREA CANNOT MOUNT ANOTHER COMPONENTS.

ANGLE	±2°	6 OVER 30 MAX.	±0.3	PROJECTION ⊕	SERIES No. R2	CUSTOMER COPY		
	6 MAX.	±0.2	30 OVER 120 MAX.					±0.5
GENERAL TOLERANCE.				TITLE NOVASTACK® 35-HDP RECEPTACLE ASSEMBLY	SCALE 10:1	UNIT mm		I-PEX
DWG.	DATE							
CHK.								
APP.								
DWG. No.				20698	SIZE A3	SHEET 7/9	REV. 17	

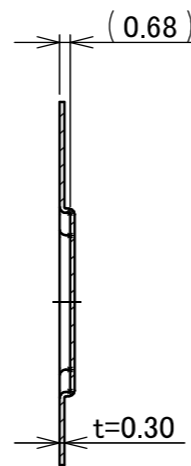
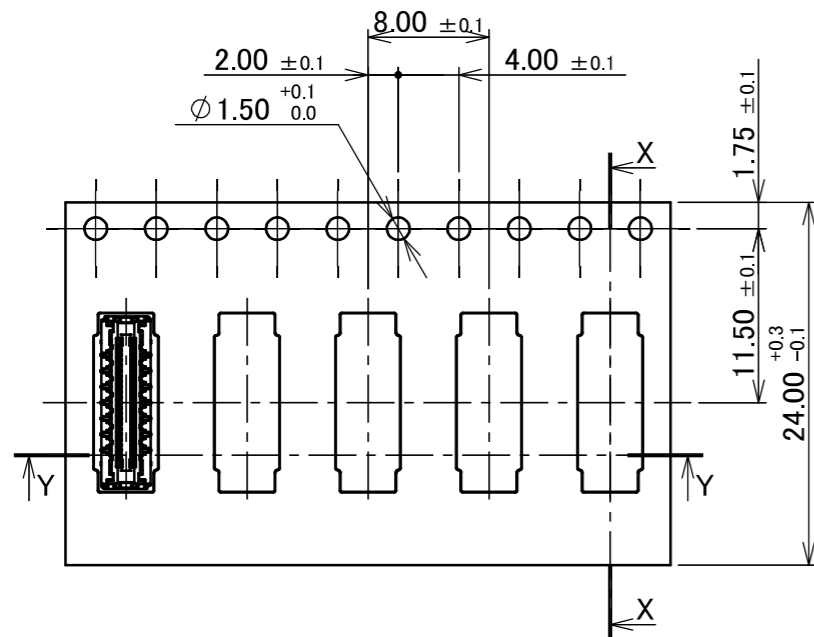
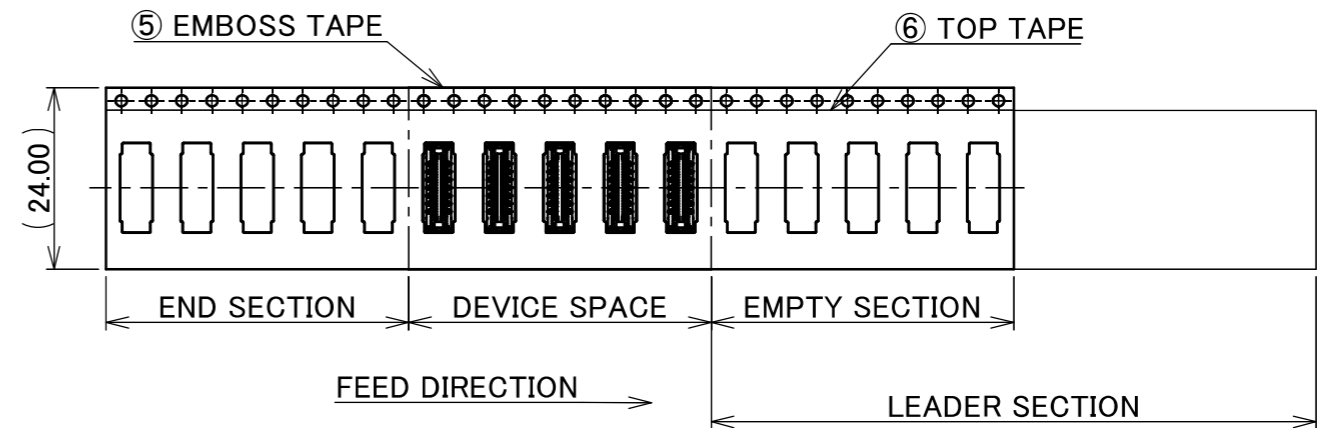
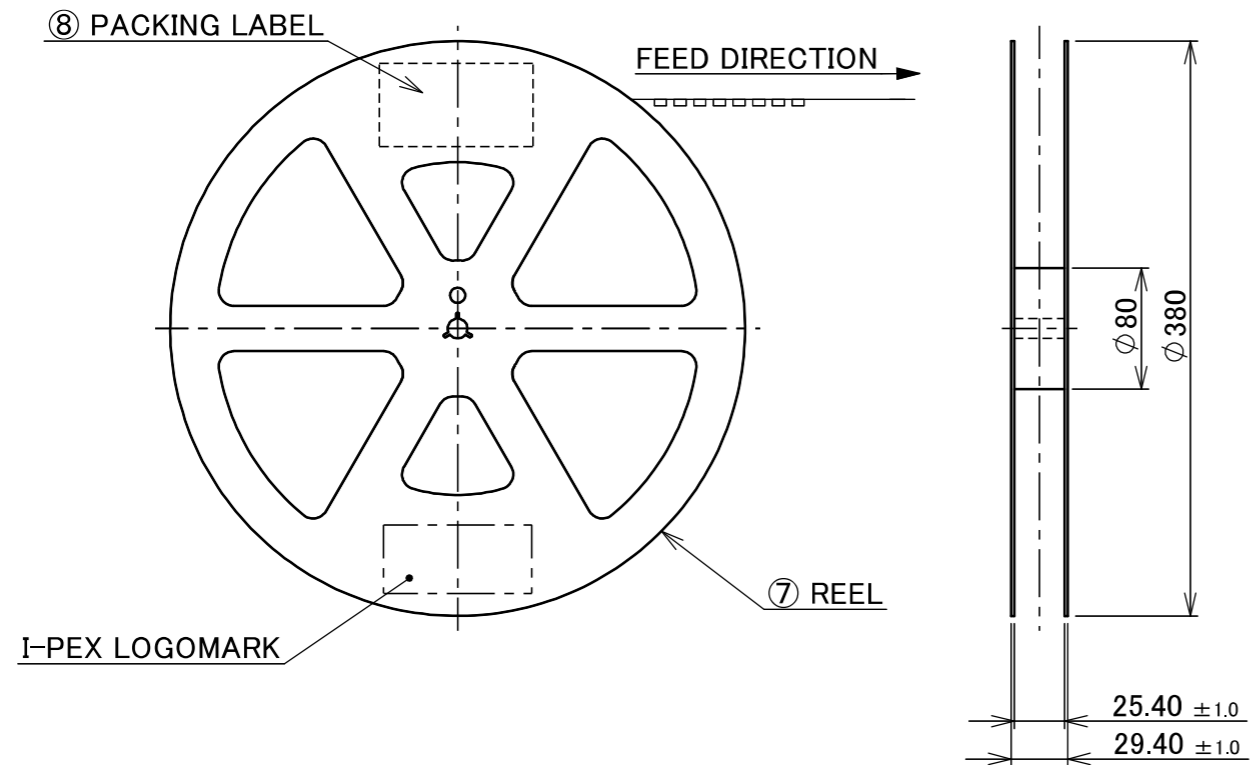


REFLOW TEMPERATURE PROFILE
 SENJU METAL INDUSTRY CO., LTD. : M705-SHF(Sn96.5 Ag3.0 Cu0.5)

ANGLE	±2°	6 OVER 30 MAX.	±0.3	PROJECTION 	SERIES No. R2	CUSTOMER COPY		
6 MAX.	±0.2	30 OVER 120 MAX.	±0.5					
GENERAL TOLERANCE.				TITLE NOVASTACK® 35-HDP RECEPTACLE ASSEMBLY	SCALE 10:1	UNIT I-PEX		
DWG.	DATE							
CHK.								
APP.								
				DWG. No.	20698	SIZE	SHEET	REV.
						A3	8/9	17

PART NO.	Pos.	QTY. PER EMBOSS REEL (PIECES / REEL)	QTY. PER PACKING CARTON
20698-0**E-01	16P	10,000 / REEL	10,000 × 5 REELS = 50,000
	28P		
	34P		
	42P		
	56P		
	62P		

20698-0**E-01
Pos.



SECT. X-X
(S = 2:1)

SECT. Y-Y
(S = 2/1)

NOTES.

- TAPING SPECIFICATION FOLLOWS JIS C 0806 (IEC 60286-3).
- EMPTY SECTION OF LEADER AND END ON EACH END OF THE TAPE FOLLOW JIS C 0806 (IEC 60286-3).
- TOP TAPE SHALL NOT STICK OUT FROM EMBOSS TAPE.
- TOP TAPE SHALL NOT COVER FEED HOLE.

No.	DESCRIPTION	MATERIAL	FINISH, REMARKS
8	PACKING LABEL	-	-
7	REEL	PS	ANTI-STATIC TYPE BLACK
6	TOP TAPE	PET TRANSPARENCY	ANTI-STATIC TYPE
5	EMBOSS TAPE	PS TRANSPARENCY	ANTI-STATIC TYPE

ANGLE	±2°	6 OVER 30 MAX.	±0.3	PROJECTION	SERIES No.	CUSTOMER COPY		
6 MAX.	±0.2	30 OVER 120 MAX.	±0.5		R2			
GENERAL TOLERANCE.				TITLE	SCALE	I-PEX		
DWG.	DATE		NOVASTACK® 35-HDP RECEPTACLE ASSEMBLY	5:1				
CHK.				UNIT				
APP.				mm				
				DWG. No.	20698	SIZE	SHEET	REV.
						A3	9/9	17