

Recommended P/N 20697-0\*\*E-01

PART No.	SIGNAL POS.	POWER POS.	A	B	C	D	E
20697-016E-01	16P	4P	7.69	5.89	3.50	2.45	7.09
20697-028E-01	28P	4P	9.79	7.99	5.60	4.55	9.19
20697-034E-01	34P	4P	10.84	9.04	6.65	5.60	10.24
20697-042E-01	42P	4P	12.24	10.44	8.05	7.00	11.64
20697-056E-01	56P	4P	14.69	12.89	10.50	9.45	14.09
20697-062E-01	62P	4P	15.74	13.94	11.55	10.50	15.14

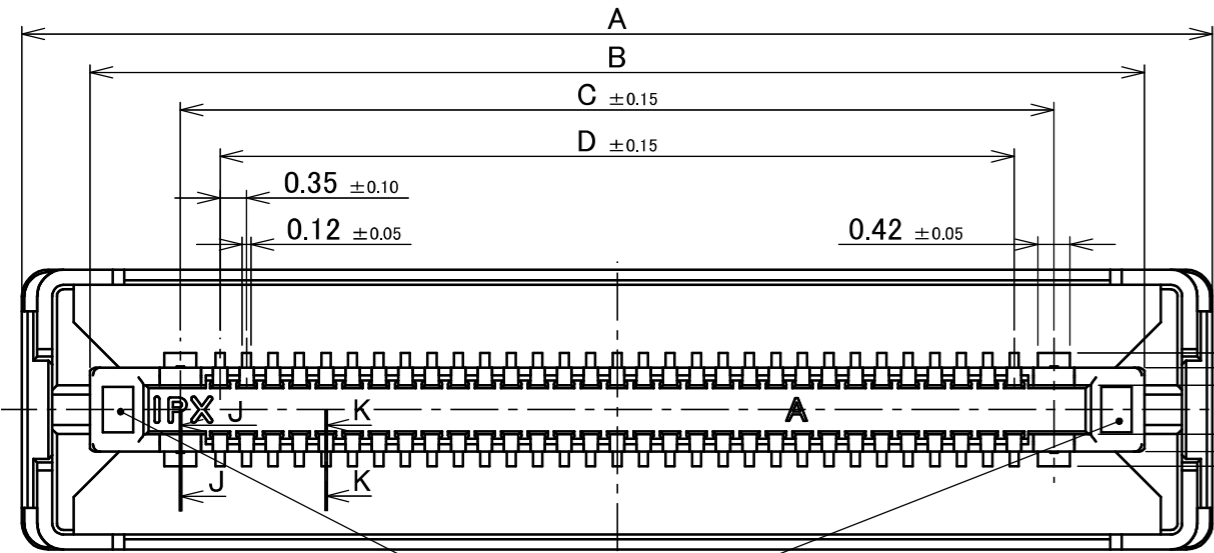
20697-0\*\*E-01



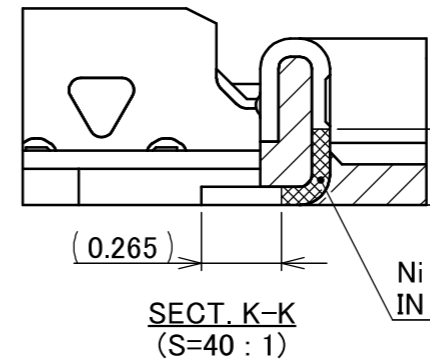
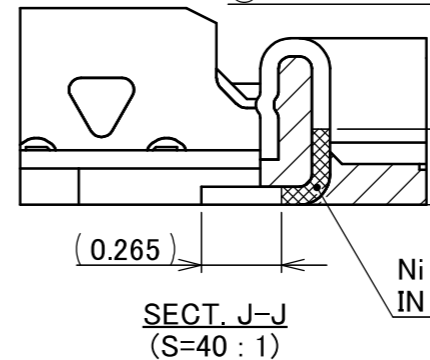
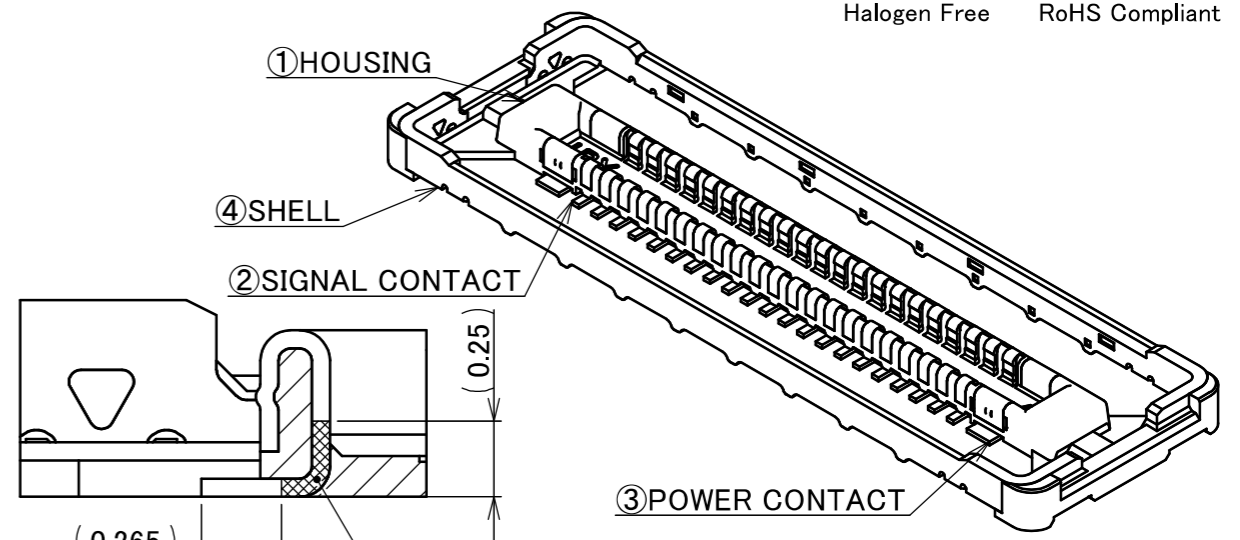
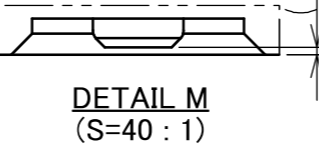
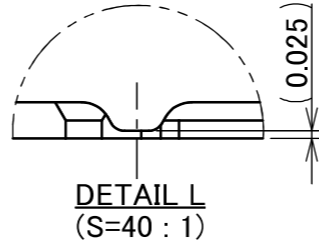
Halogen Free



RoHS Compliant

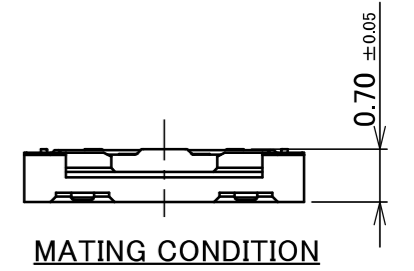


0.65 (VACUUM AREA)

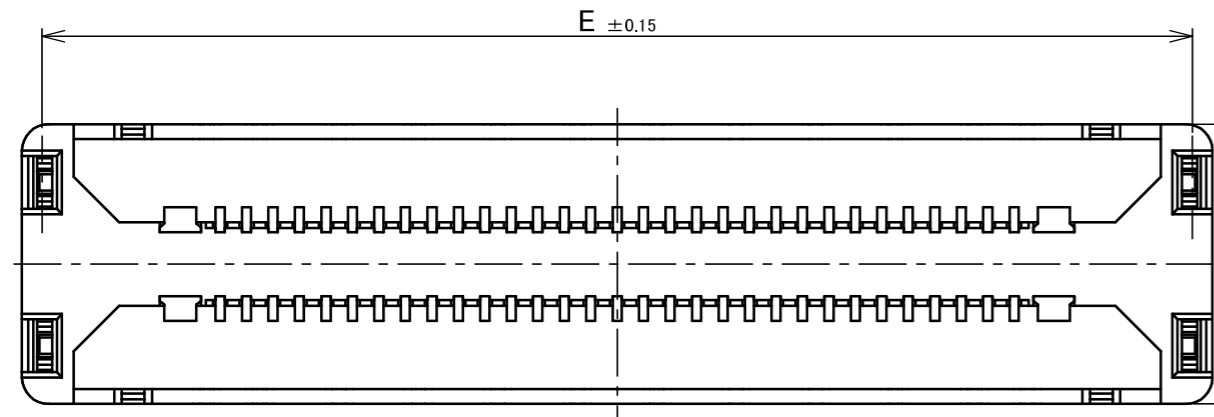
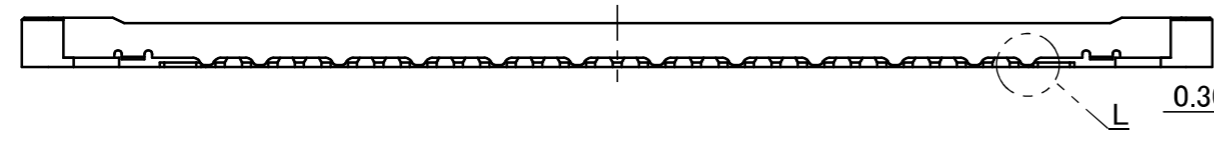


Ni BARRIER 0.1 mm MIN. IN HATCHING AREA.

Ni BARRIER 0.1 mm MIN. IN HATCHING AREA.



CONCAVE SHAPE (62P ONLY)

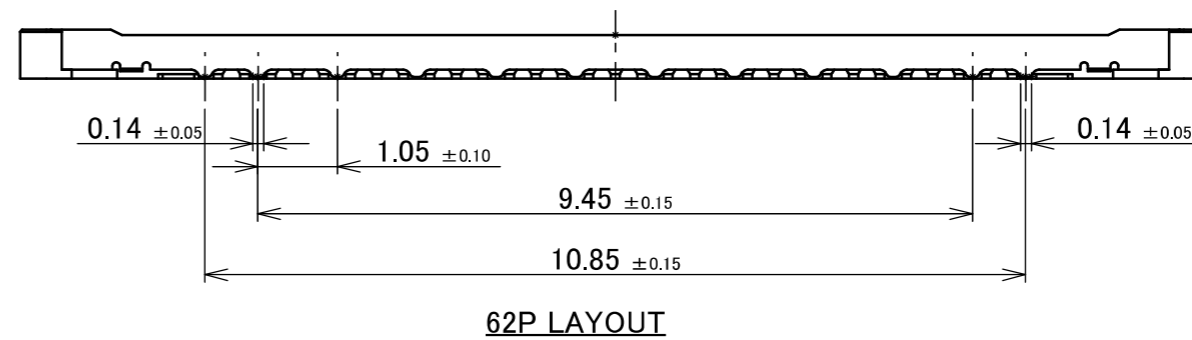
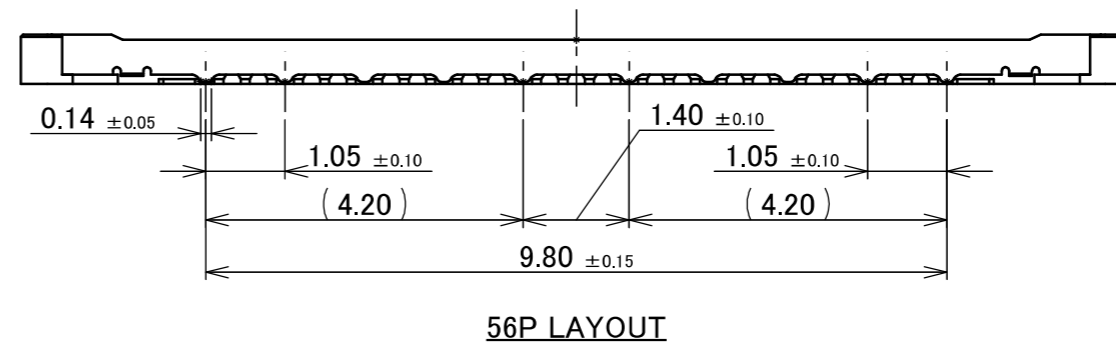
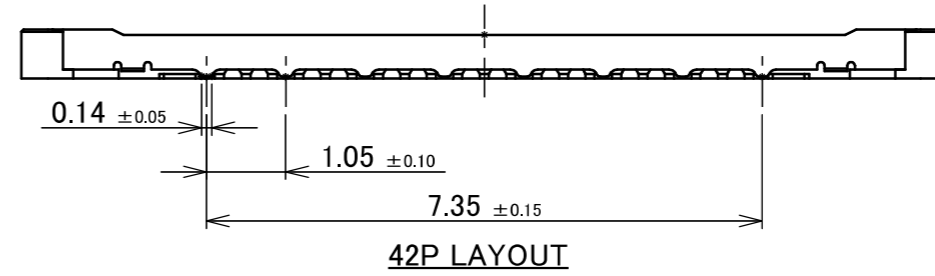
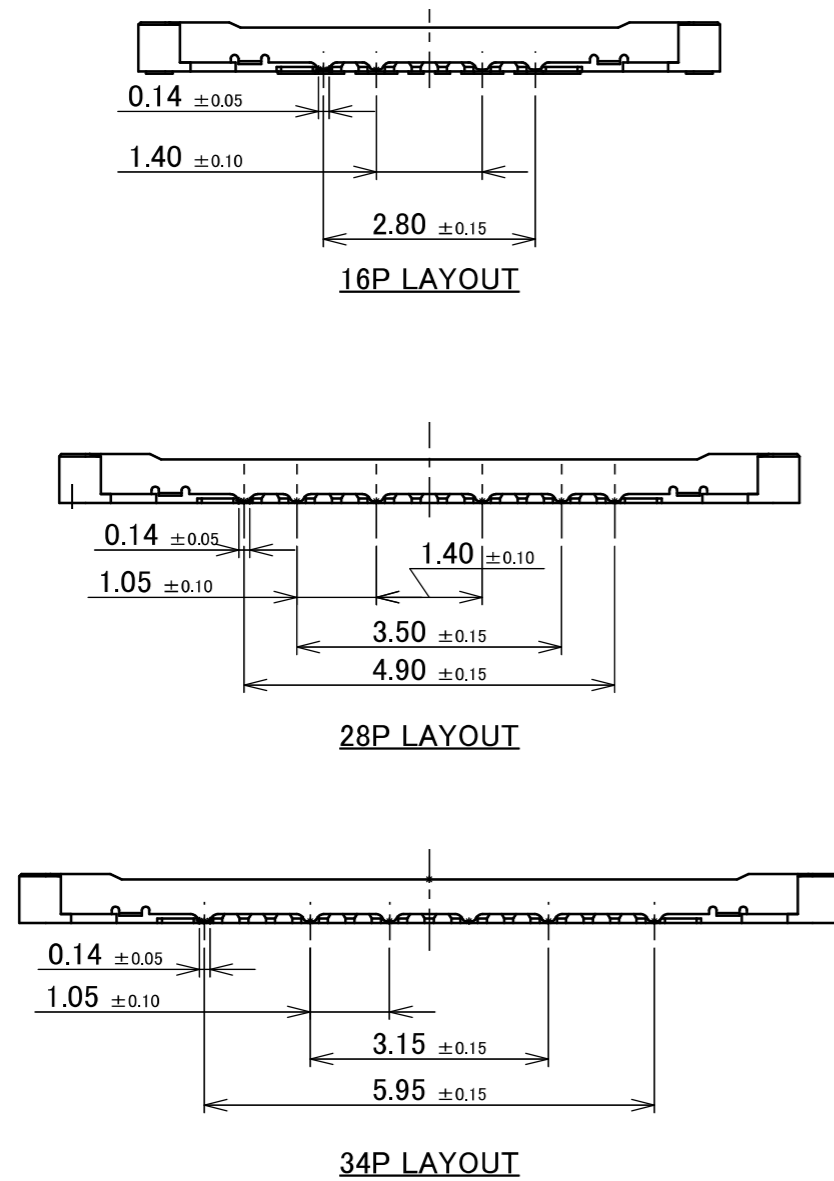


NO.	DISCRIPTION	MATERIAL	FINISH , REMARKS
4	SHELL	PHOSPHOR BRONZE	ALL OVER Ni 1.27 μ m MIN. Au 0.01 μ m MIN.
3	POWER CONTACT	CORSON ALLOY	ALL OVER Ni 1.27 μ m MIN. CONTACT PART Au 0.05 μ m MIN. SOLDERING PART Au 0.02 μ m MIN.
2	SIGNAL CONTACT	CORSON ALLOY	ALL OVER Ni 1.27 μ m MIN. CONTACT PART Au 0.05 μ m MIN. SOLDERING PART Au 0.02 μ m MIN.
1	HOUSING	LCP	UL94V-0, BLACK

REV.	ECN	BY	DATE	APP.	APP.	CHK.	DATE	ANGLE	±2°	6 OVER 30 MAX.	±0.3	PROJECTION	SERIES No.	TITLE	SCALE	UNIT	SIZE	SHEET	REV.						
15	ZC00803	X.Z	2026/07/06	S.S	ANGLE	±2°	6 OVER 30 MAX.	±0.3				PROJECTION	R1	CUSTOMER COPY	10:1		A3	1/9	15						
14	ZC00774	X.Z	2026/06/23	S.S	6 MAX.	±0.2	30 OVER 120 MAX.	±0.5																	
13	ZC00256	C.K	2025/11/12	S.S	GENERAL TOLERANCE.																				
12	ZC00197	C.K	2025/10/24	S.S	DWG.	T.Kurachi	DATE	2016/01/13						NOVASTACK® 35-HDP PLUG ASSEMBLY											
11	ZC00085	C.K	2025/09/09	S.S	CHK.	-																			
10	Z250489	TMT	2025/03/26	S.S	APP.	J.Tateishi																			
REVISION RECORD										DWG. No.		20697		SIZE		A3		SHEET		1/9		REV.		15	

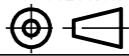
PART No.	SIGNAL POS.	POWER POS.
20697-016E-01	16P	4P
20697-028E-01	28P	4P
20697-034E-01	34P	4P
20697-042E-01	42P	4P
20697-056E-01	56P	4P
20697-062E-01	62P	4P

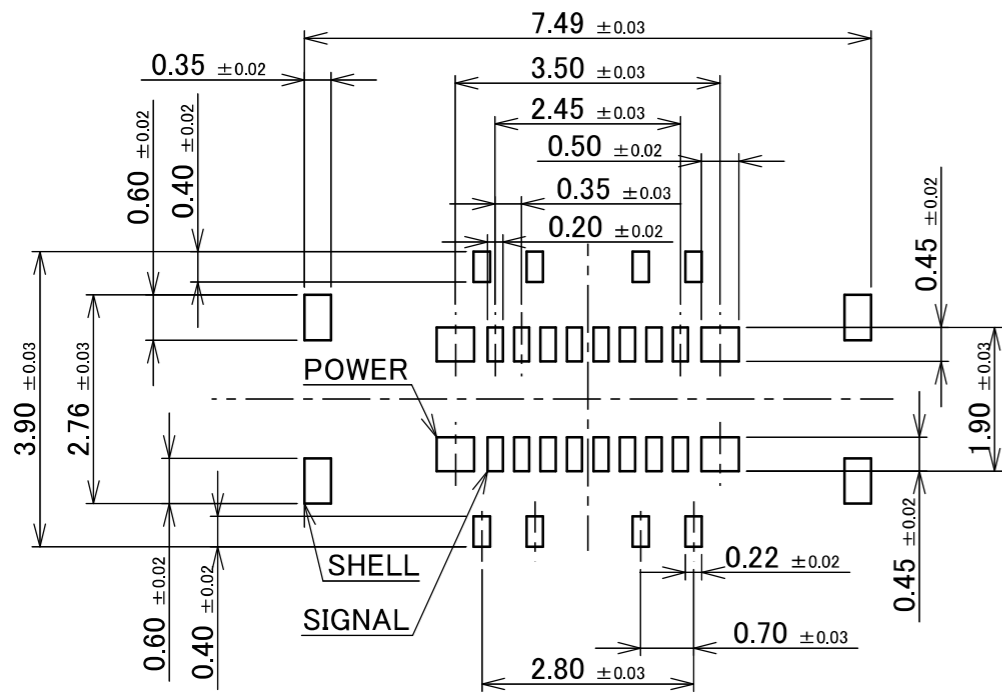
20697-0\*\*E-01  
Pos.



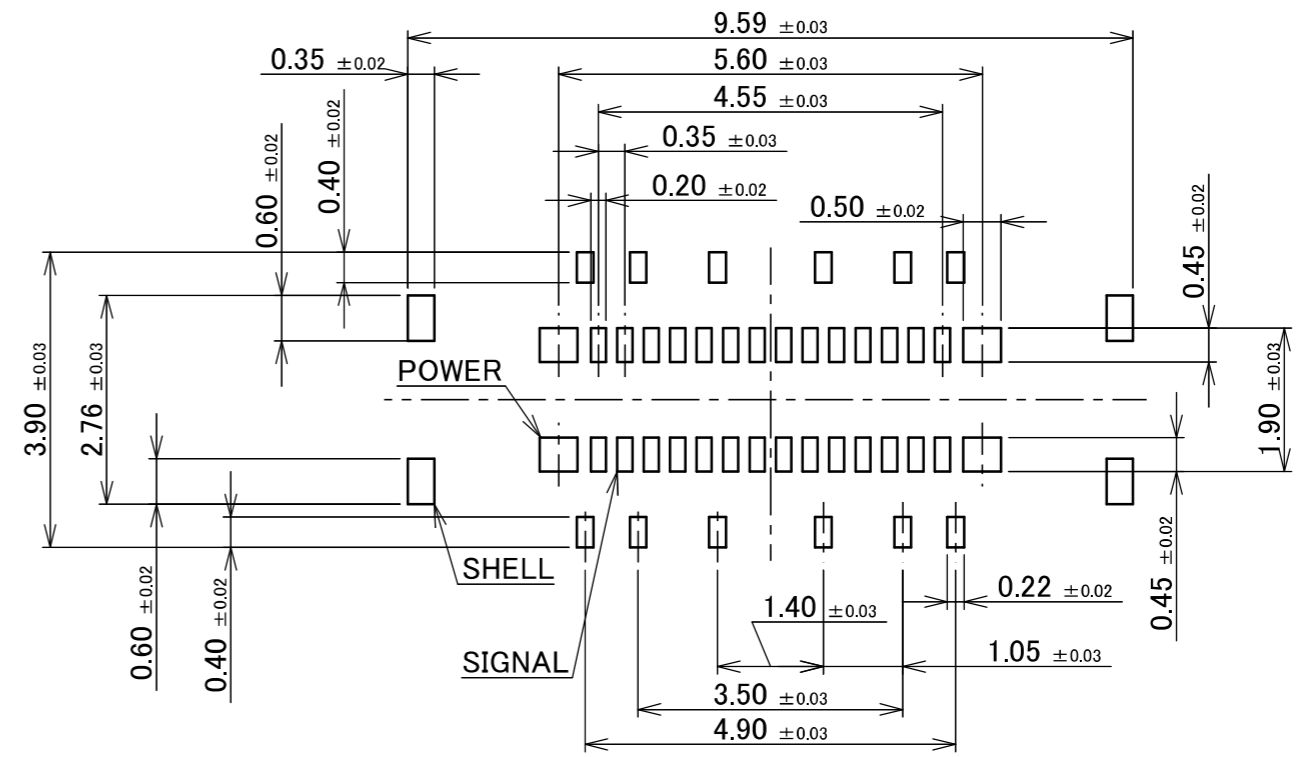
ANGLE	±2°	6 OVER 30 MAX.	±0.3	PROJECTION ⊕	SERIES No. R1	CUSTOMER COPY			
	6 MAX.	±0.2	30 OVER 120 MAX.						±0.5
GENERAL TOLERANCE.				TITLE		SCALE	<b>I-PEX</b>		
DWG.	DATE			NOVASTACK® 35-HDP PLUG ASSEMBLY		10:1			
CHK.						UNIT			
APP.						mm			
				DWG. No.	20697	SIZE	SHEET	REV.	
						A3	2/9	15	

ITEMS	SPECIFICATION
APPLICABLE CONNECTOR PART No.	20698-0**E-01
RATED VOLTAGE	60V AC (PER CONTACT PIN)
RATED AMPERAGE (FOR SIGNAL CONTACT)	0.3A AC/DC (PER CONTACT PIN)/ 12.0A AC/DC(TOTAL)
RATED AMPERAGE (FOR POWER CONTACT)	4.5A AC/DC (PER CONTACT PIN)/ 18.0A AC/DC(TOTAL)
OPERATING TEMPERATURE	233~358K(-40°C~+85°C)
OPERATING HUMIDITY	85% MAX.
CONTACT RESISTANCE (FOR SIGNAL CONTACT)	INITIAL : 40mohm MAX. / AFTER TEST : $\Delta$ 40mohm MAX.
CONTACT RESISTANCE (FOR POWER CONTACT)	INITIAL : 20mohm MAX. / AFTER TEST : $\Delta$ 20mohm MAX.
CONTACT RESISTANCE (FOR GROUND)	INITIAL : 20mohm MAX. / AFTER TEST : $\Delta$ 20mohm MAX.
INSULATION RESISTANCE	INITIAL : 1,000Mohm MIN. / AFTER TEST : 500Mohm MIN.
DIELECTRIC WITHSTANDING VOLTAGE	AC 250V 1 min
DURABILITY	30 CYCLES
MATING FORCE (INITIAL)	16P: 32.0 N MAX. 28P: 32.0 N MAX. 34P: 38.0 N MAX. 42P: 46.0 N MAX. 56P: 60.0 N MAX. 62P: 66.0 N MAX.
UNMATING FORCE (AFTER TEST)	16P: 3.2 N MIN. 28P: 3.2 N MIN. 34P: 3.8 N MIN. 42P: 4.6 N MIN. 56P: 6.0 N MIN. 62P: 6.6 N MIN.
COPLANARITY	CONTACT AND POWER CONTACT : 0.08 MAX. SHELL : 0.105 MAX.
PRODUCT SPECIFICATION	PRS-2187
TEST REPORT	TR-16014
PACKING STANDARD	PST-15083
INSTRUCTION MANUAL	HIM-15020
APPEARANCE CRITERIA No.	QLS-A***

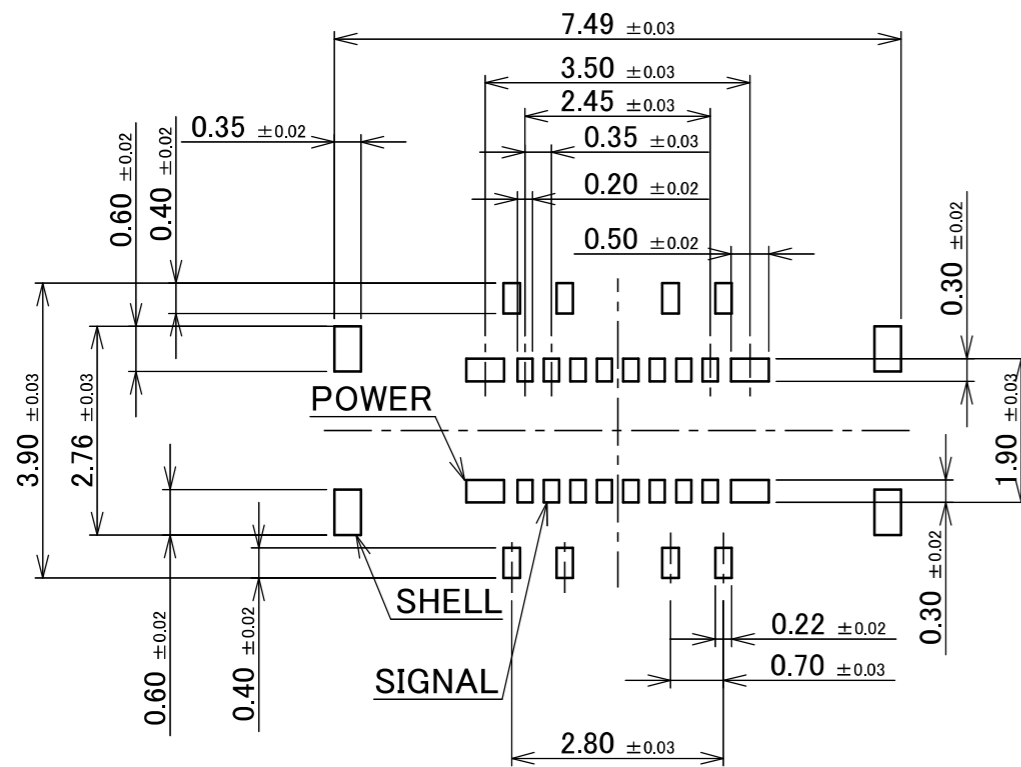
ANGLE	$\pm 2^\circ$	6 OVER 30 MAX.	$\pm 0.3$	PROJECTION 	SERIES No. R1	CUSTOMER COPY		
6 MAX.	$\pm 0.2$	30 OVER 120 MAX.	$\pm 0.5$					
GENERAL TOLERANCE.				TITLE NOVASTACK® 35-HDP PLUG ASSEMBLY	SCALE 10:1	<b>I-PEX</b>		
DWG.	DATE							
CHK.								
APP.								
				DWG. No.	20697	SIZE A3	SHEET 3/9	REV. 15



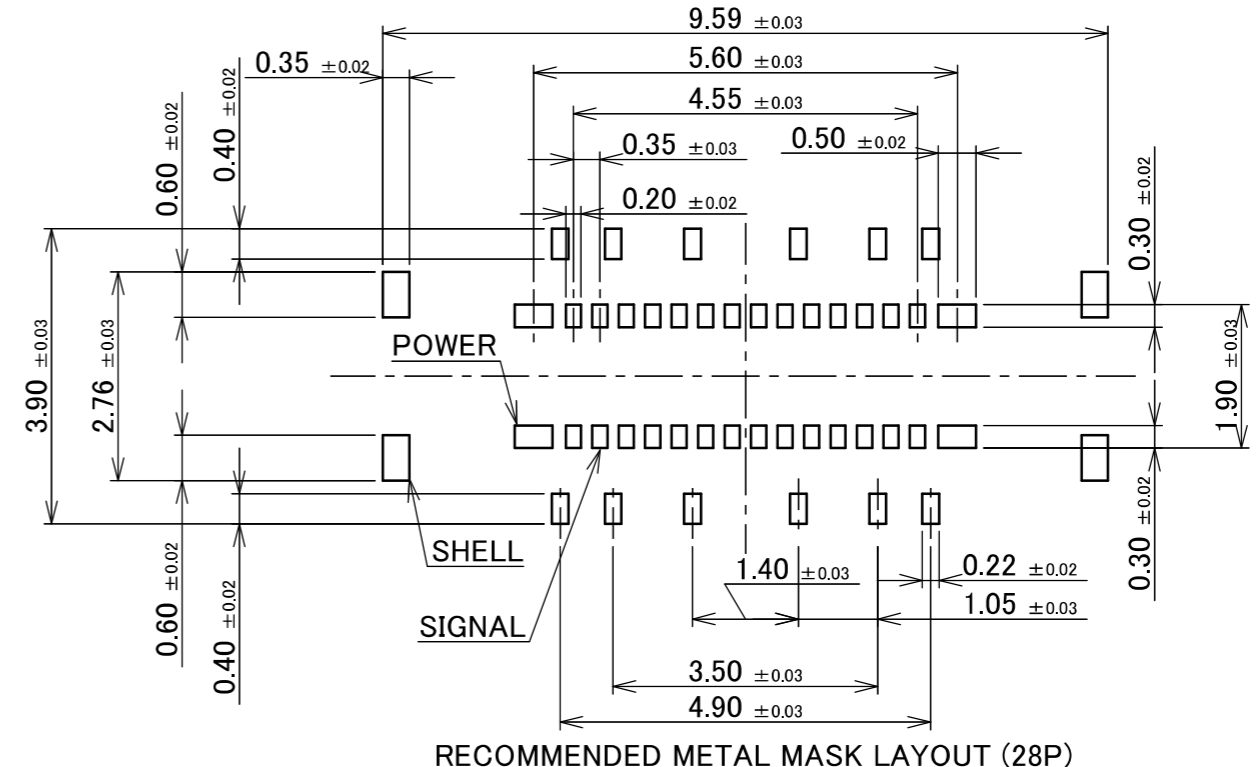
RECOMMENDED PATTERN LAYOUT (16P)



RECOMMENDED PATTERN LAYOUT (28P)

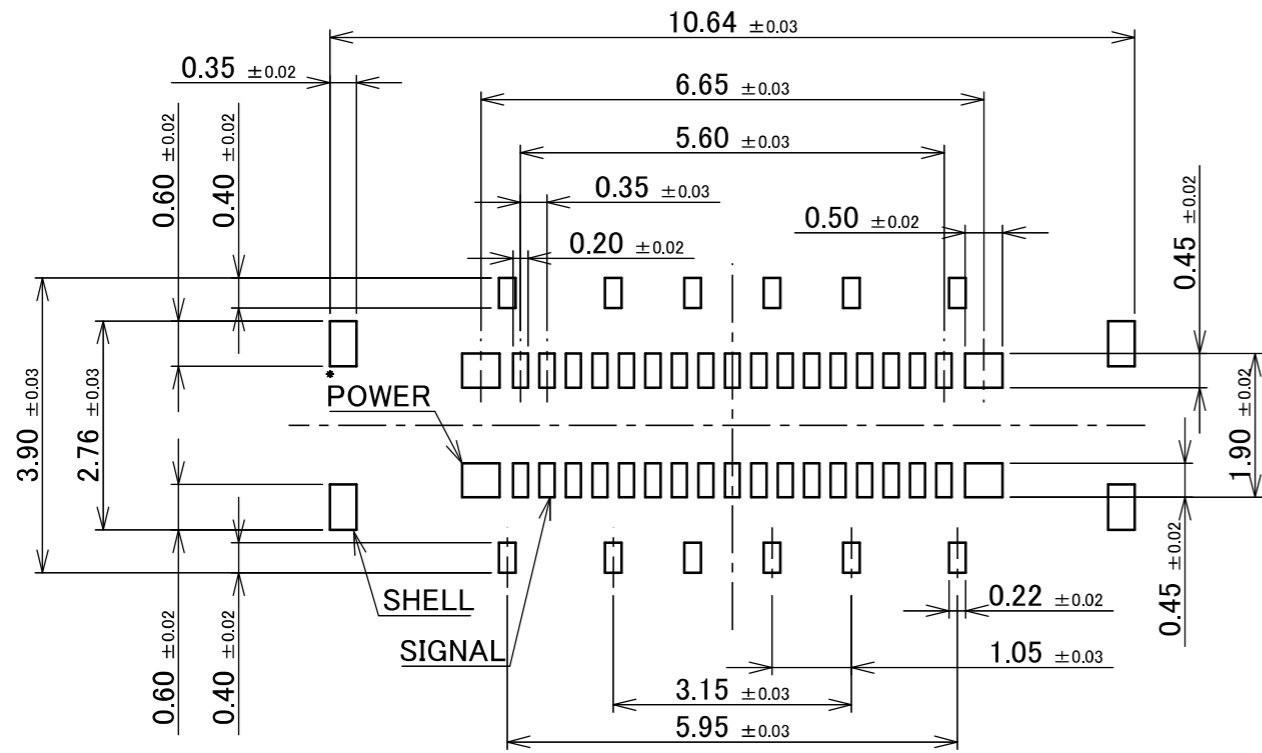


RECOMMENDED METAL MASK LAYOUT (16P)  
THICKNESS : t=0.10 mm

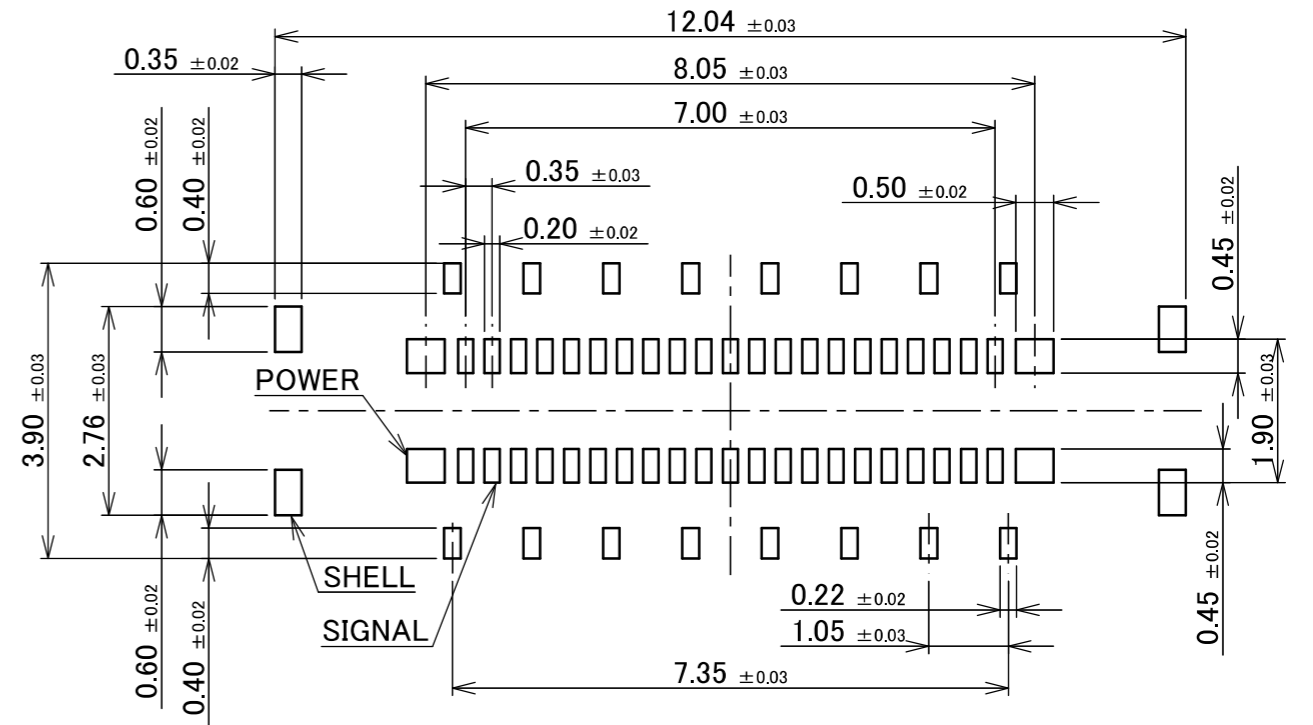


RECOMMENDED METAL MASK LAYOUT (28P)  
THICKNESS : t=0.10 mm

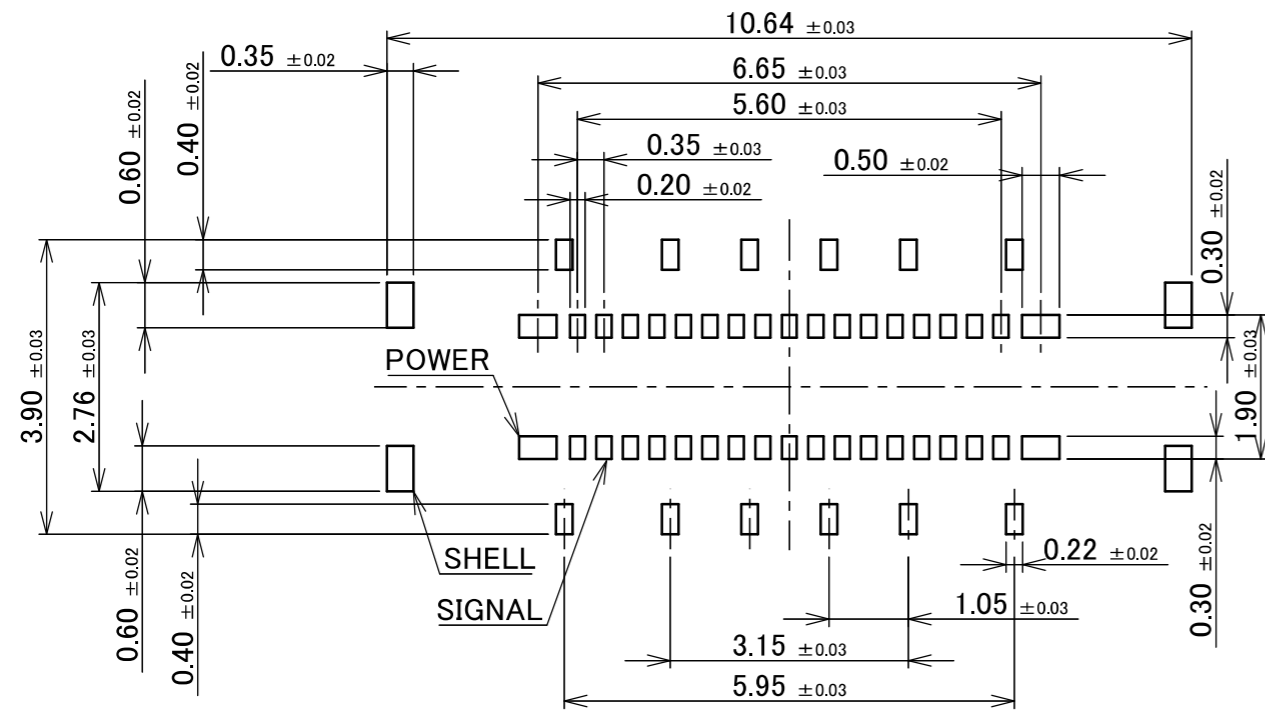
ANGLE	±2°	6 OVER 30 MAX.	±0.3	PROJECTION ⊕	SERIES No. R1	CUSTOMER COPY			
	6 MAX.	±0.2	30 OVER 120 MAX.						±0.5
GENERAL TOLERANCE.				TITLE		SCALE	I-PEX		
DWG.	DATE			NOVASTACK® 35-HDP PLUG ASSEMBLY		10:1			
CHK.						UNIT			
APP.						mm			
				DWG. No.	20697	SIZE	SHEET	REV.	
						A3	4/9	15	



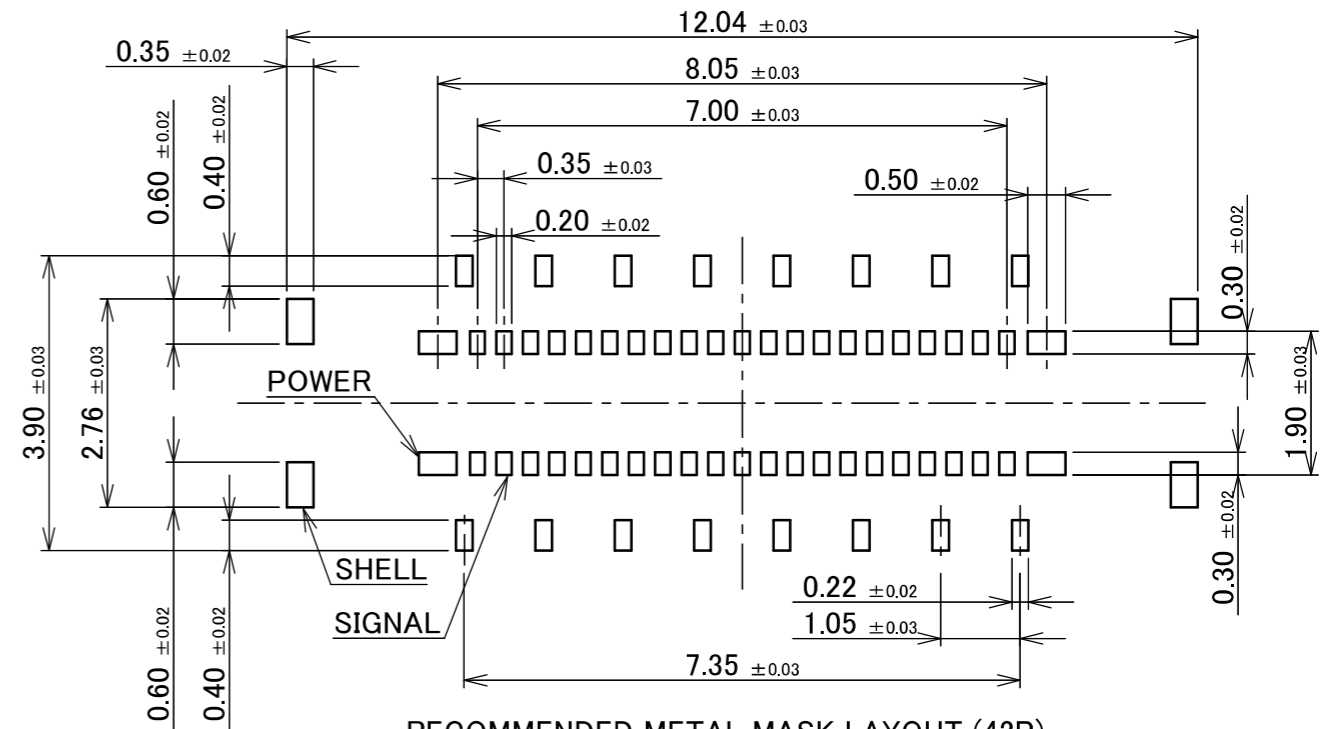
RECOMMENDED PATTERN LAYOUT (34P)



RECOMMENDED PATTERN LAYOUT (42P)



RECOMMENDED METAL MASK LAYOUT (34P)  
THICKNESS : t=0.10 mm



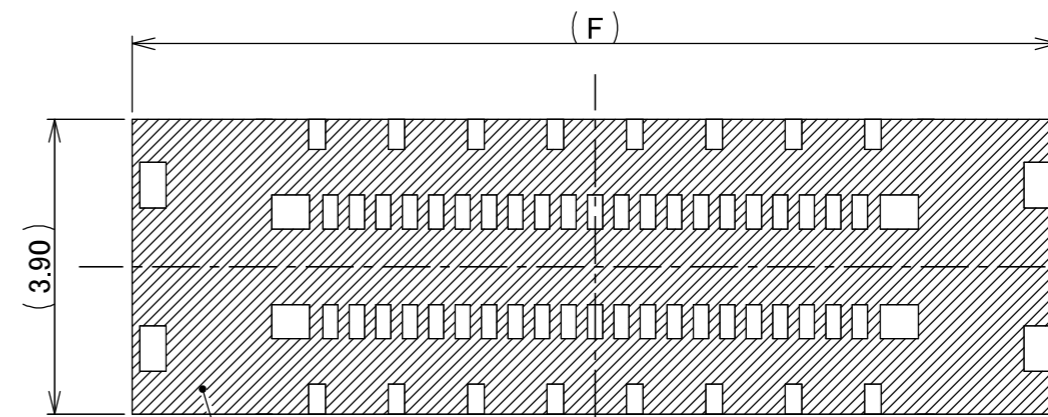
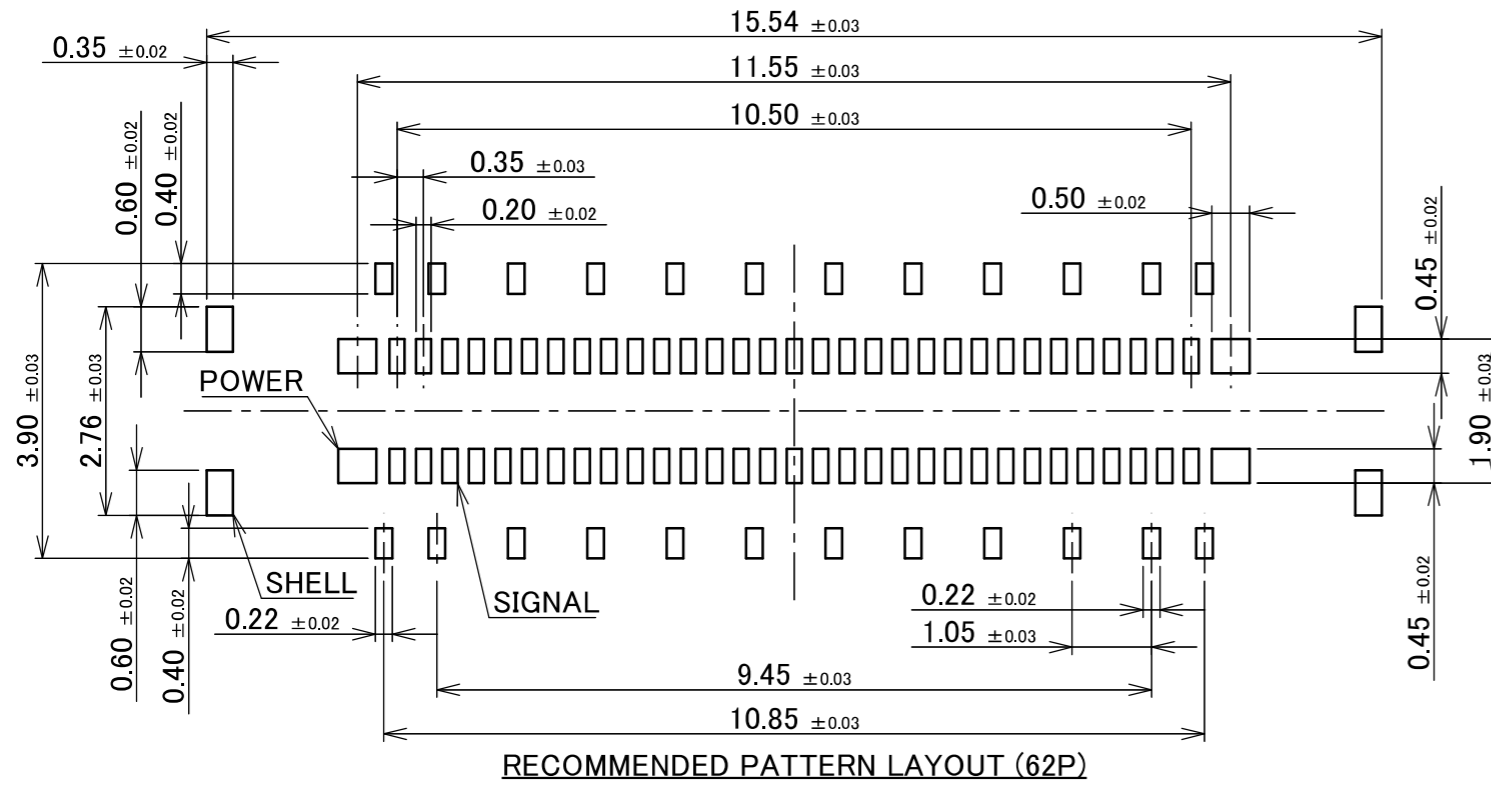
RECOMMENDED METAL MASK LAYOUT (42P)  
THICKNESS : t=0.10 mm

ANGLE	±2°	6 OVER 30 MAX.	±0.3	PROJECTION ⊕	SERIES No. R1	CUSTOMER COPY			
	6 MAX.	±0.2	30 OVER 120 MAX.						±0.5
GENERAL TOLERANCE.				TITLE		SCALE	I-PEX		
DWG.	DATE			NOVASTACK® 35-HDP PLUG ASSEMBLY		10:1			
CHK.						UNIT			
APP.						mm			
				DWG. No.	20697	SIZE	SHEET	REV.	
						A3	5/9	15	



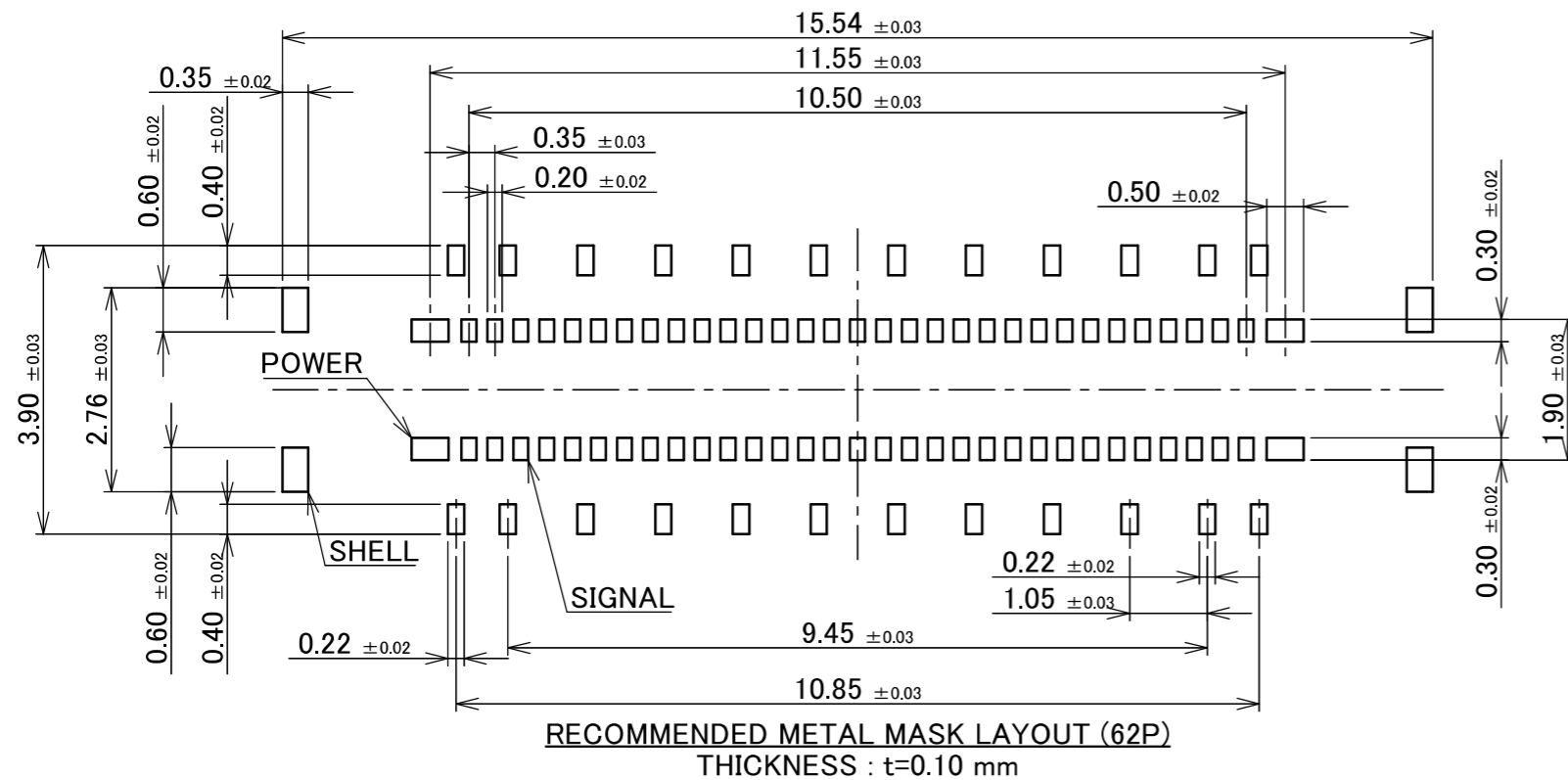
PART No.	SIGNAL POS.	POWER POS.	F
20697-016E-01	16P	4P	7.99
20697-028E-01	28P	4P	10.09
20697-034E-01	34P	4P	11.14
20697-042E-01	42P	4P	12.54
20697-056E-01	56P	4P	14.99
20697-062E-01	62P	4P	16.04

20697-0\*\*E-01  
Pos.

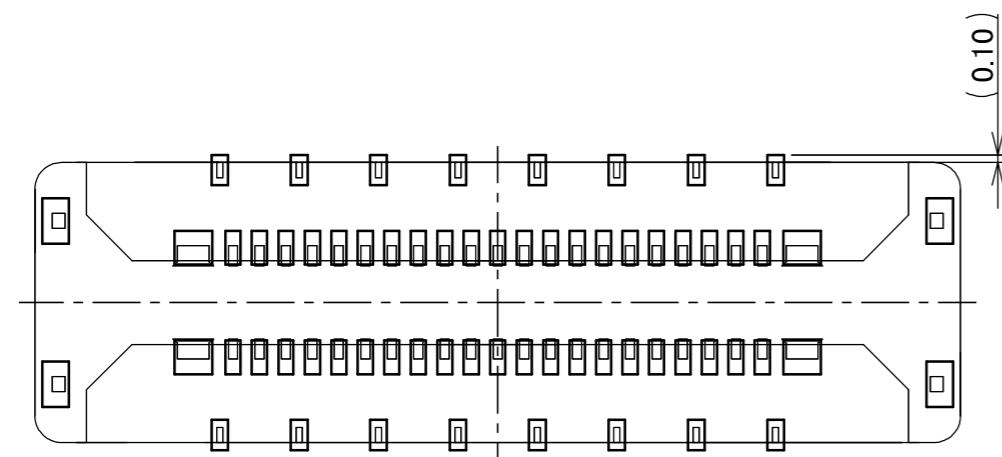


NOTE. 1

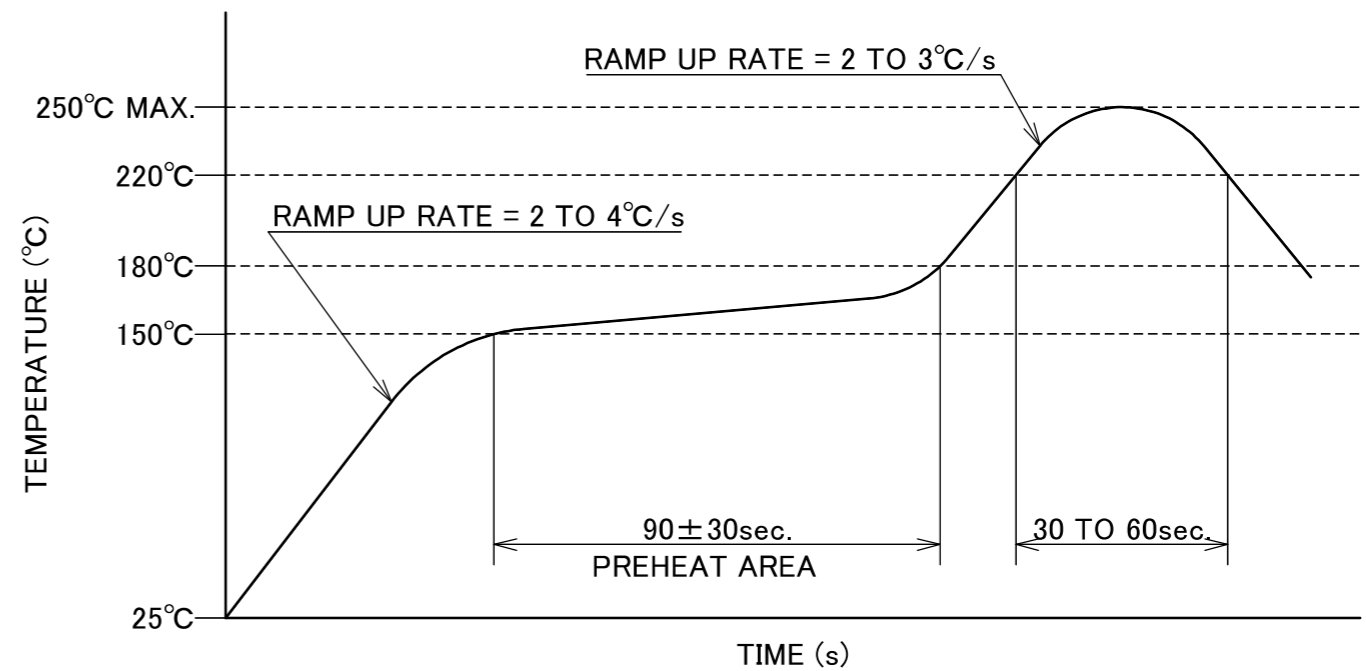
NOTES.  
1. THIS AREA CANNOT MOUNT ANOTHER COMPONENTS.



ANGLE	±2°	6 OVER 30 MAX.	±0.3	PROJECTION ⊕	SERIES No. R1	CUSTOMER COPY			
6 MAX.	±0.2	30 OVER 120 MAX.	±0.5						
GENERAL TOLERANCE.				TITLE		SCALE	I-PEX		
DWG.	DATE			NOVASTACK® 35-HDP PLUG ASSEMBLY		10:1			
CHK.						UNIT mm			
APP.				DWG. No.	20697	SIZE A3	SHEET 7/9	REV. 15	



CONNECTOR ON RECOMMENDED FOOTPRINT PATTERN

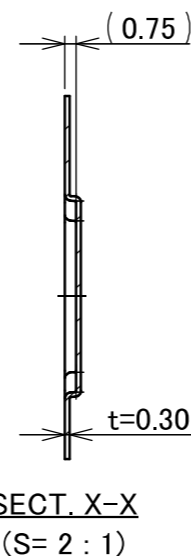
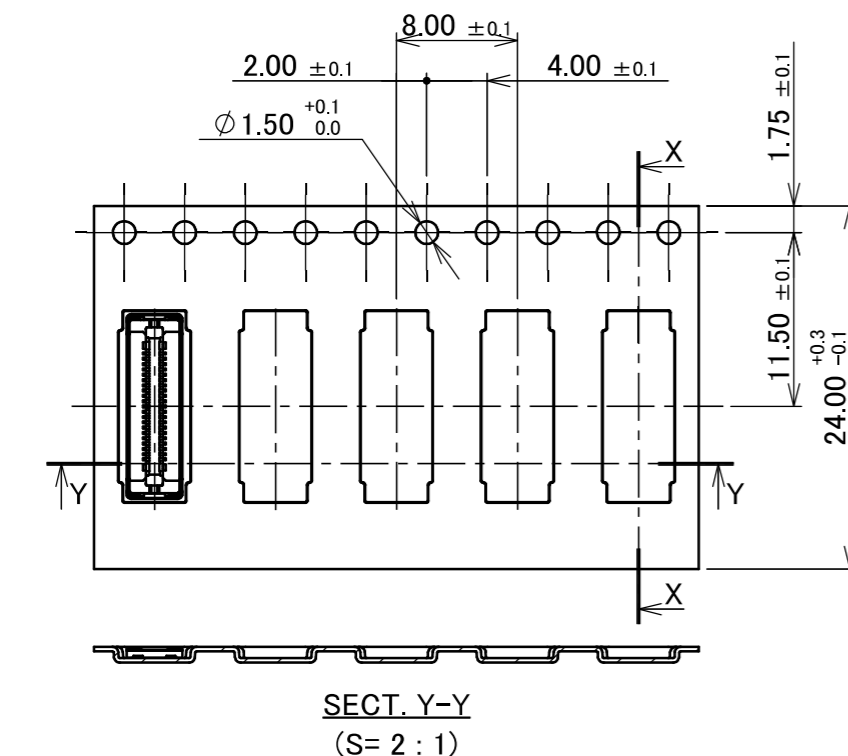
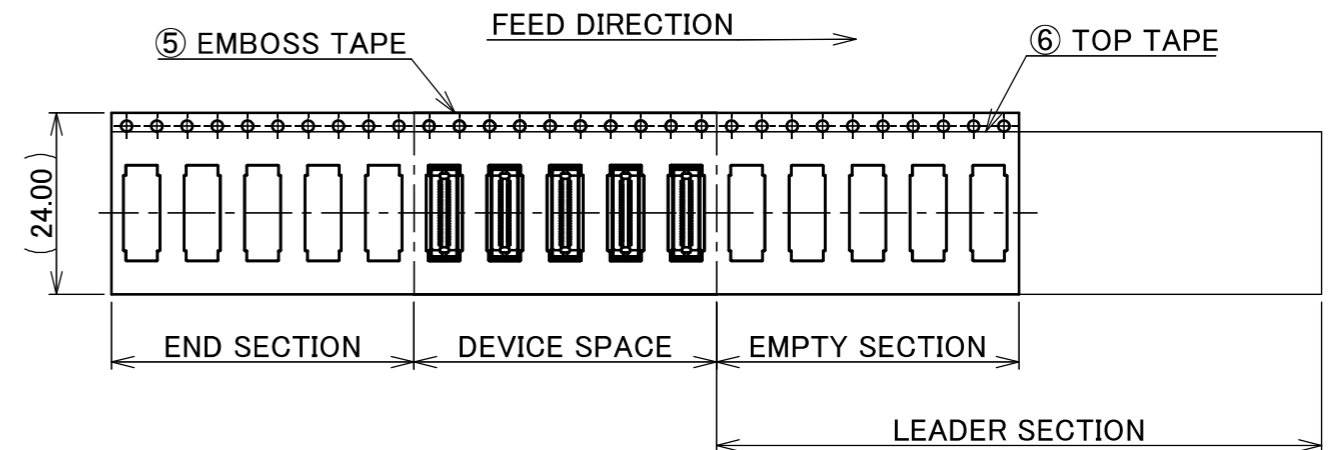
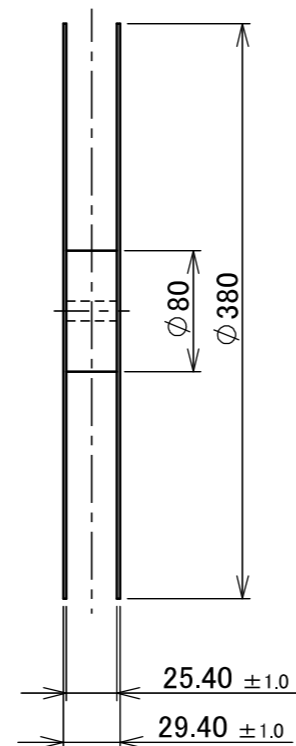
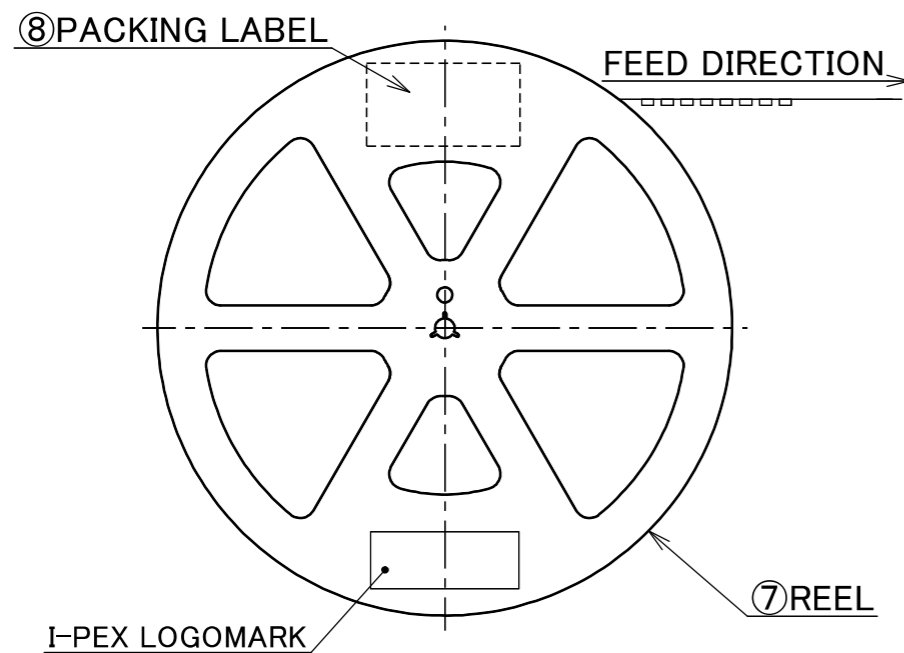


REFLOW TEMPERATURE PROFILE  
 SENJU METAL INDUSTRY CO., LTD. : M705-SHF(Sn96.5 Ag3.0 Cu0.5)

ANGLE	±2°	6 OVER 30 MAX.	±0.3	PROJECTION 	SERIES No. R1	CUSTOMER COPY		
6 MAX.	±0.2	30 OVER 120 MAX.	±0.5					
GENERAL TOLERANCE.				TITLE NOVASTACK® 35-HDP PLUG ASSEMBLY	SCALE 10:1	UNIT <b>I-PEX</b>		
DWG.	DATE							
CHK.								
APP.								
				DWG. No.	20697	SIZE A3	SHEET 8/9	REV. 15

PART NO.	Pos.	QTY. PER EMBOSS REEL (PIECES / REEL)	QTY. PER PACKING CARTON
20697-0**E-01	16P	10,000 / REEL	10,000 × 5 REELS = 50,000
	28P		
	34P		
	42P		
	56P		
	62P		

20697-0\*\*E-01  
Pos.



NOTES.

- TAPING SPECIFICATION FOLLOWS JIS C 0806 (IEC 60286-3).
- EMPTY SECTION OF LEADER AND END ON EACH END OF THE TAPE FOLLOW JIS C 0806 (IEC 60286-3).
- TOP TAPE SHALL NOT STICK OUT FROM EMBOSS TAPE.
- TOP TAPE SHALL NOT COVER FEED HOLE.

NO.	DESCRIPTION	MATERIAL	FINISH, REMARKS
8	PACKING LABEL	-	-
7	REEL	PS	ANTI-STATIC TYPE BLACK
6	TOP TAPE	PET TRANSPARENCY	ANTI-STATIC TYPE
5	EMBOSS TAPE	PS TRANSPARENCY	ANTI-STATIC TYPE

ANGLE	±2°	6 OVER 30 MAX.	±0.3	PROJECTION	SERIES No.	CUSTOMER COPY			
6 MAX.	±0.2	30 OVER 120 MAX.	±0.5		R1				
GENERAL TOLERANCE.				TITLE	NOVASTACK® 35-HDP PLUG ASSEMBLY		SCALE	5:1	
DWG.	DATE					UNIT	I-PEX		
CHK.						mm			
APP.				DWG. No.	20697	SIZE	SHEET	REV.	
						A3	9/9	15	