

Recommended P/N 20697-0\*\*E-01

PART No.	SIGNAL POS.	POWER POS.	A	B	C	D	E
20697-016E-01	16P	4P	7.69	5.89	3.50	2.45	7.09
20697-028E-01	28P	4P	9.79	7.99	5.60	4.55	9.19
20697-034E-01	34P	4P	10.84	9.04	6.65	5.60	10.24
20697-042E-01	42P	4P	12.24	10.44	8.05	7.00	11.64
20697-056E-01	56P	4P	14.69	12.89	10.50	9.45	14.09
20697-062E-01	62P	4P	15.74	13.94	11.55	10.50	15.14

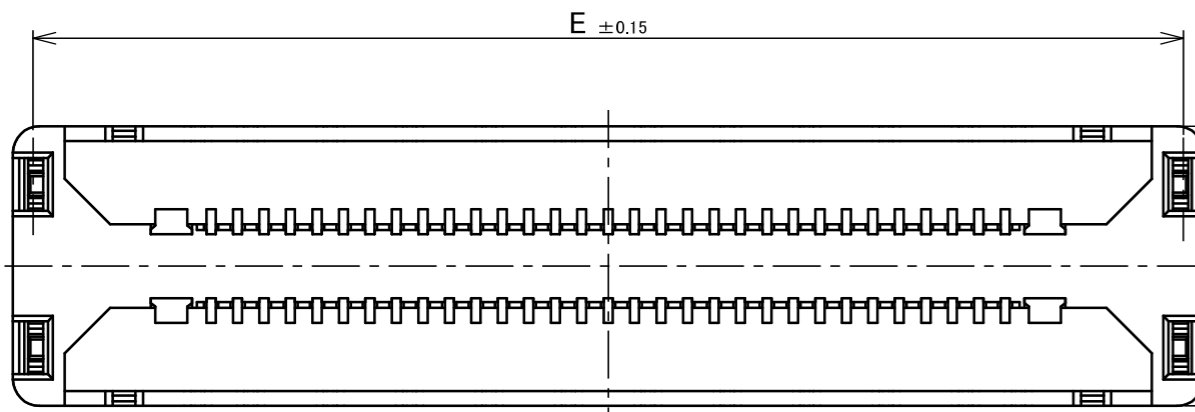
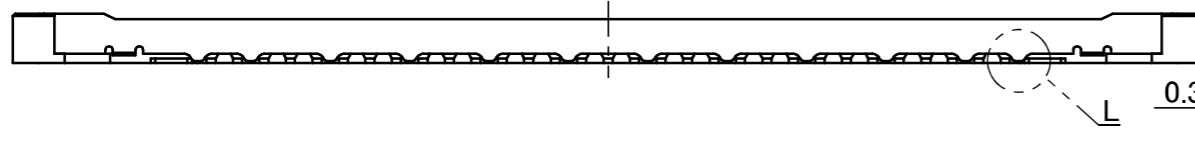
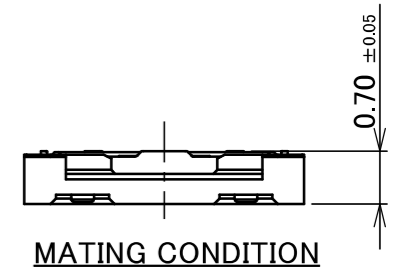
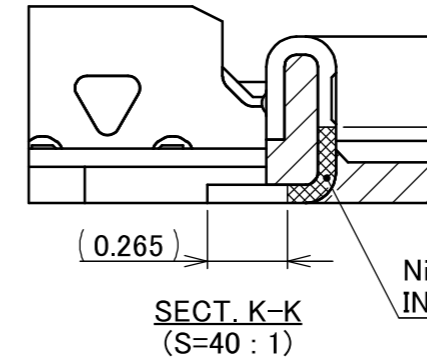
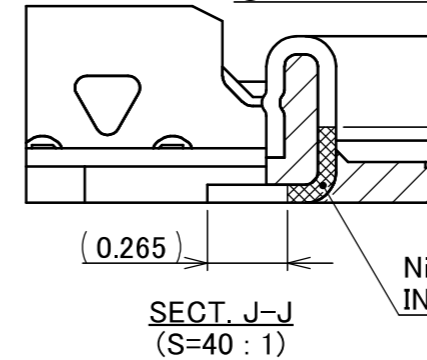
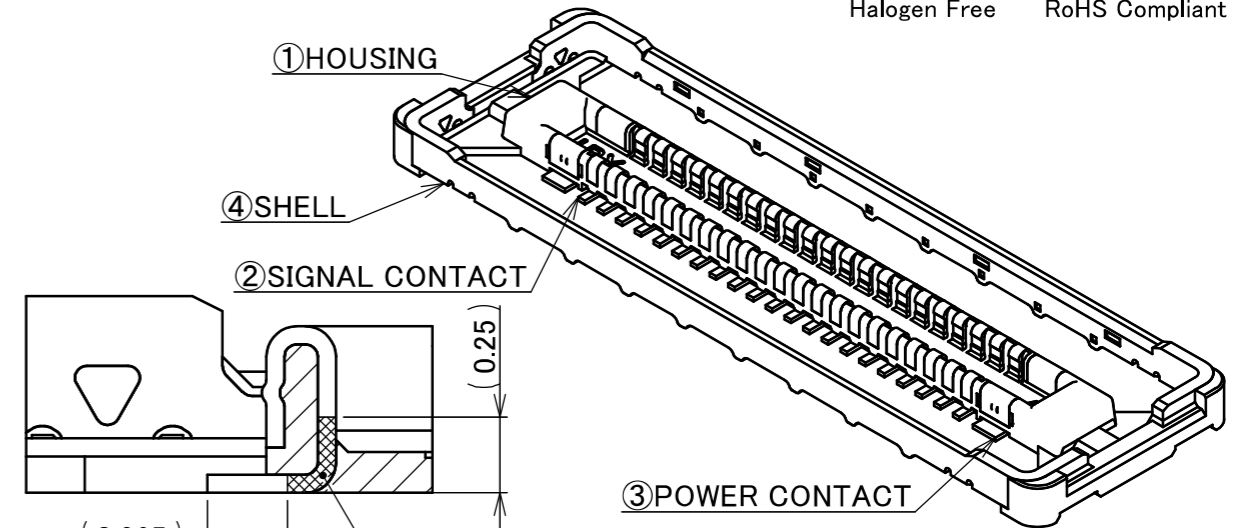
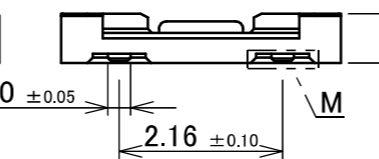
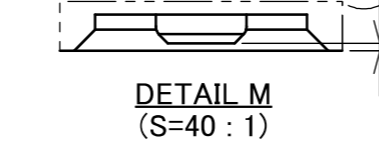
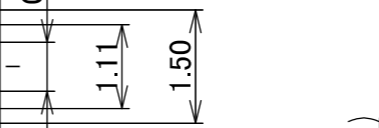
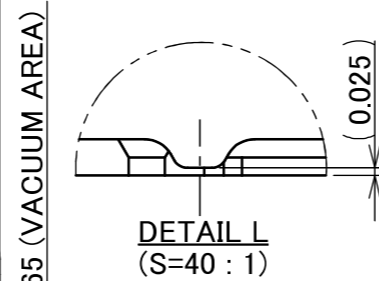
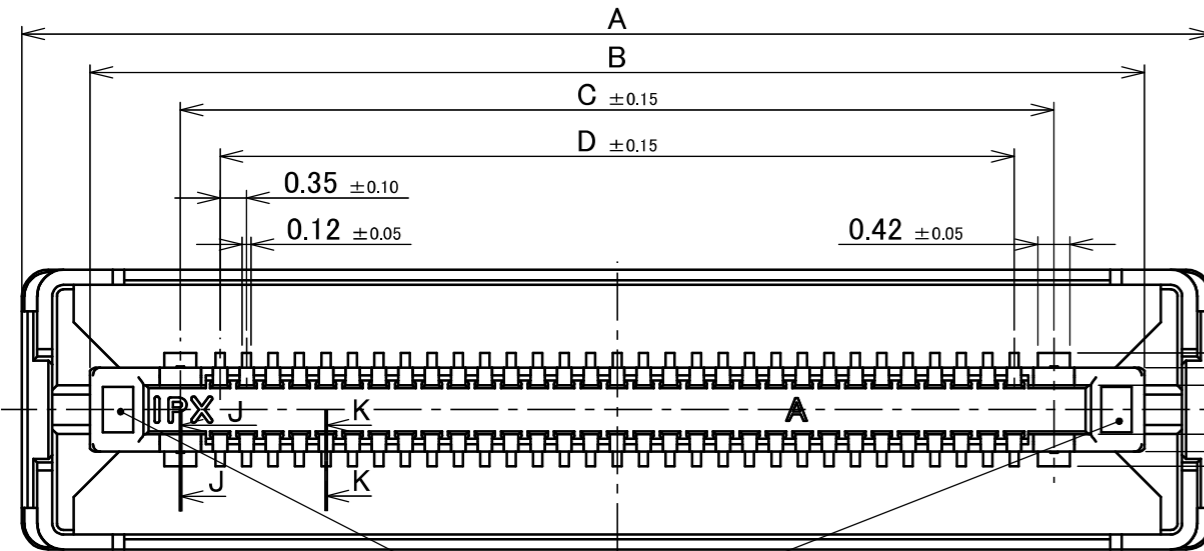
20697-0\*\*E-01



Halogen Free



RoHS Compliant

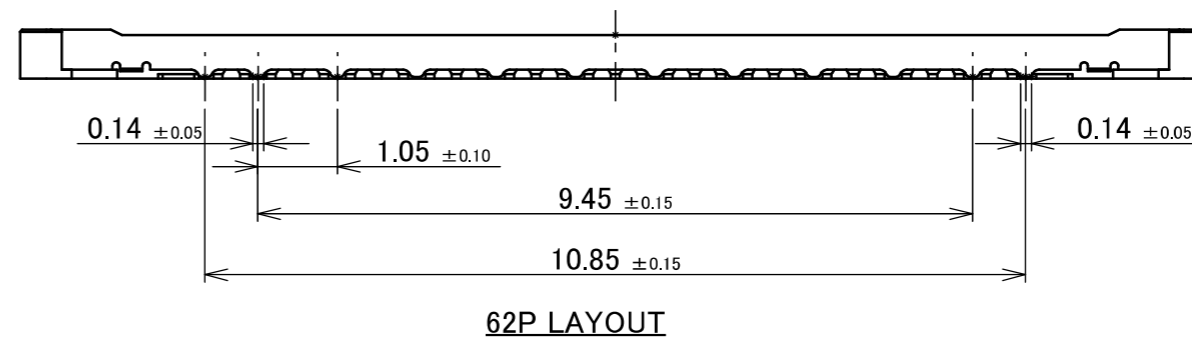
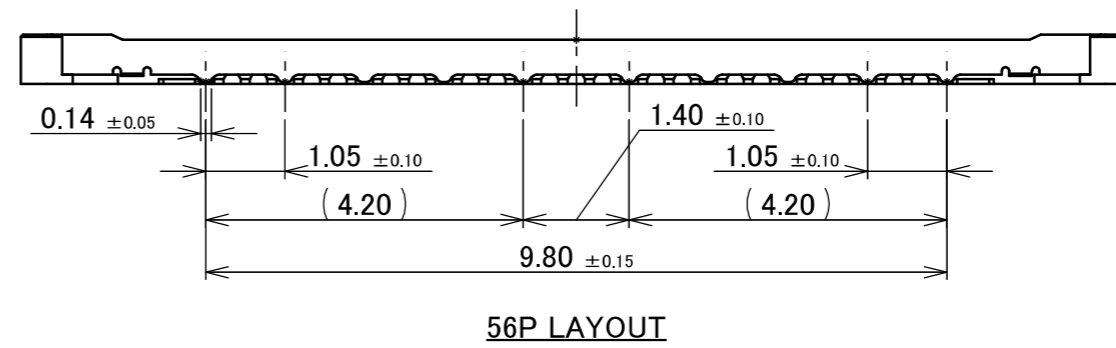
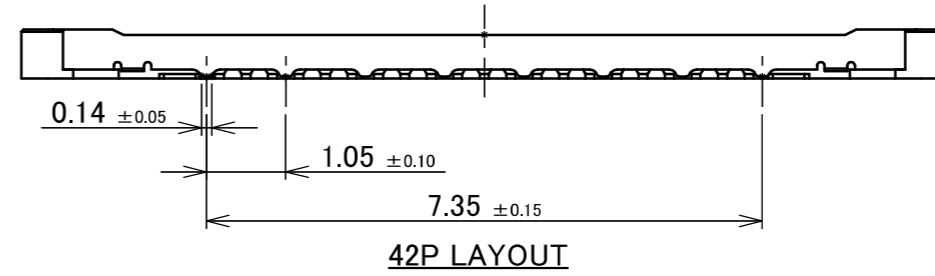
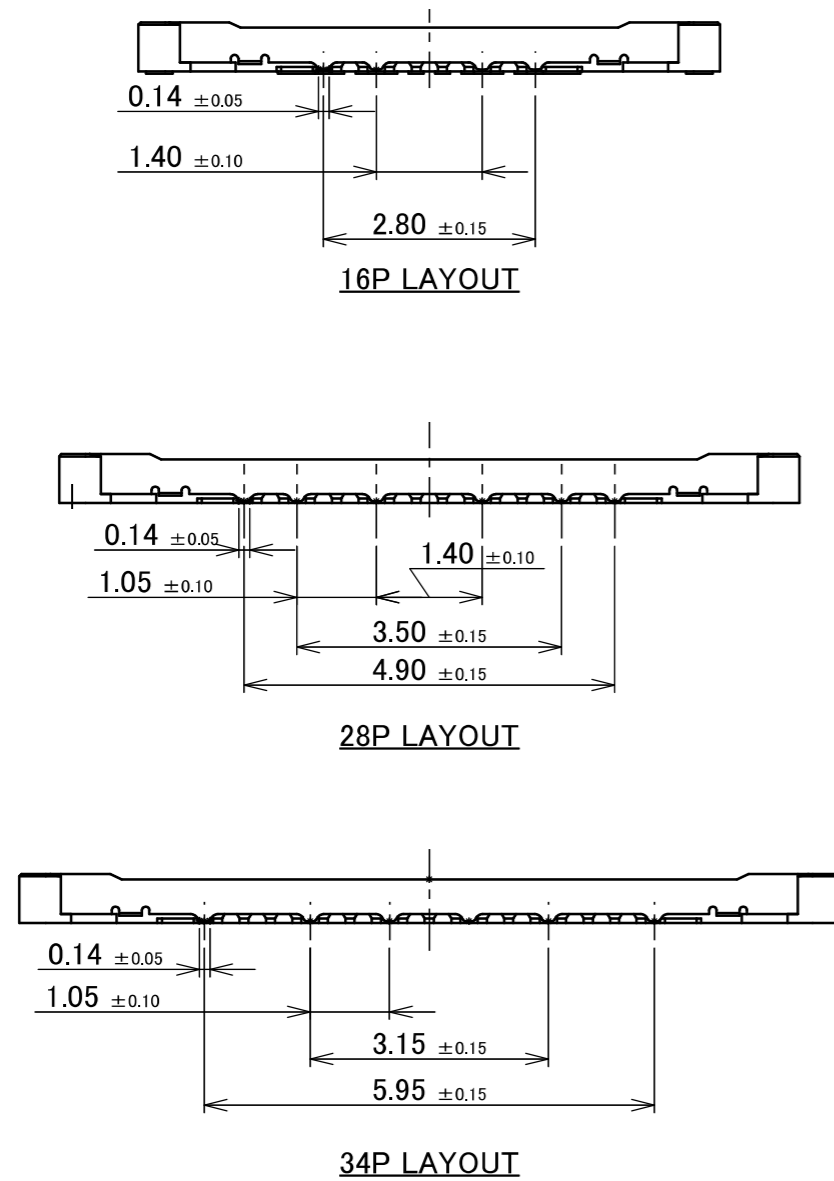


NO.	DISCRIPTION	MATERIAL	FINISH , REMARKS
4	SHELL	PHOSPHOR BRONZE	ALL OVER Ni 1.27 μ m MIN. Au 0.01 μ m MIN.
3	POWER CONTACT	CORSON ALLOY	ALL OVER Ni 1.27 μ m MIN. CONTACT PART Au 0.05 μ m MIN. SOLDERING PART Au 0.02 μ m MIN.
2	SIGNAL CONTACT	CORSON ALLOY	ALL OVER Ni 1.27 μ m MIN. CONTACT PART Au 0.05 μ m MIN. SOLDERING PART Au 0.02 μ m MIN.
1	HOUSING	LCP	UL94V-0, BLACK

REV.	ECN	BY	DATE	APP.	APP.	CHK.	DATE	ANGLE	±2°	6 OVER 30 MAX.	±0.3	PROJECTION	SERIES No.	TITLE	SCALE	UNIT	SHEET	REV.
13	ZC00256	C.K	2025/11/12	S.S	ANGLE	±2°	6 OVER 30 MAX.	±0.3				PROJECTION	R1	CUSTOMER COPY	10:1			
12	ZC00197	C.K	2025/10/24	S.S	6 MAX.	±0.2	30 OVER 120 MAX.	±0.5										
11	ZC00085	C.K	2025/09/09	S.S	GENERAL TOLERANCE.													
10	Z250489	TMT	2025/03/26	S.S	DWG.	T.Kurachi	DATE	2016/01/13						NOVASTACK® 35-HDP PLUG ASSEMBLY				
9	Z241223	Y.F	2024/09/09	S.S														
8	Z240715	Y.F	2024/06/07	S.S														
REVISION RECORD					J.Tateishi			20697		A3		1/9		13				

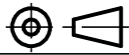
PART No.	SIGNAL POS.	POWER POS.
20697-016E-01	16P	4P
20697-028E-01	28P	4P
20697-034E-01	34P	4P
20697-042E-01	42P	4P
20697-056E-01	56P	4P
20697-062E-01	62P	4P

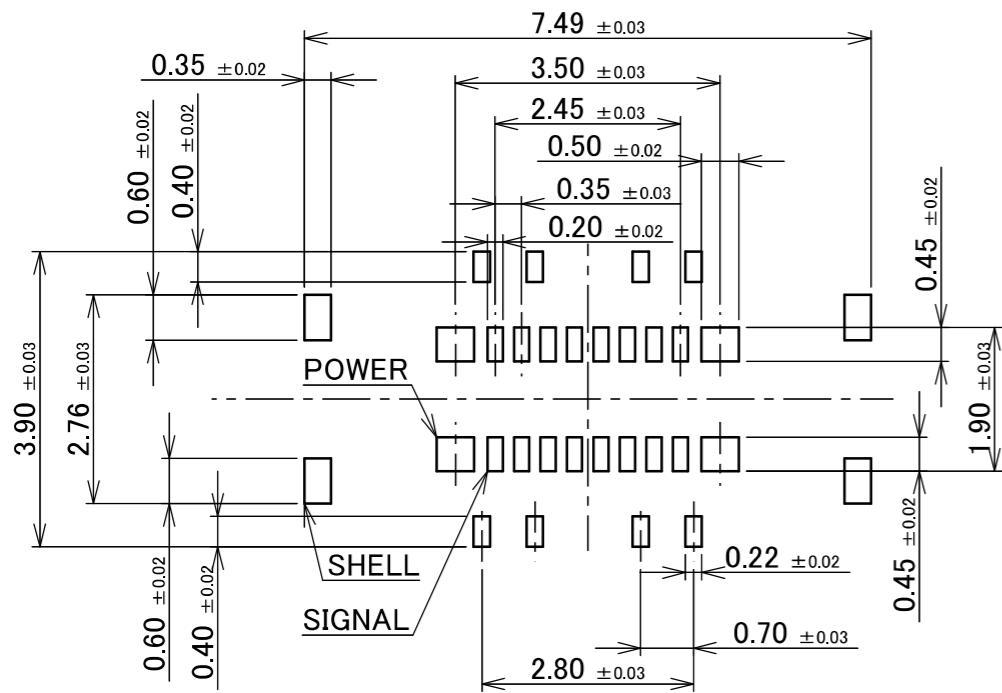
20697-0\*\*E-01  
Pos.



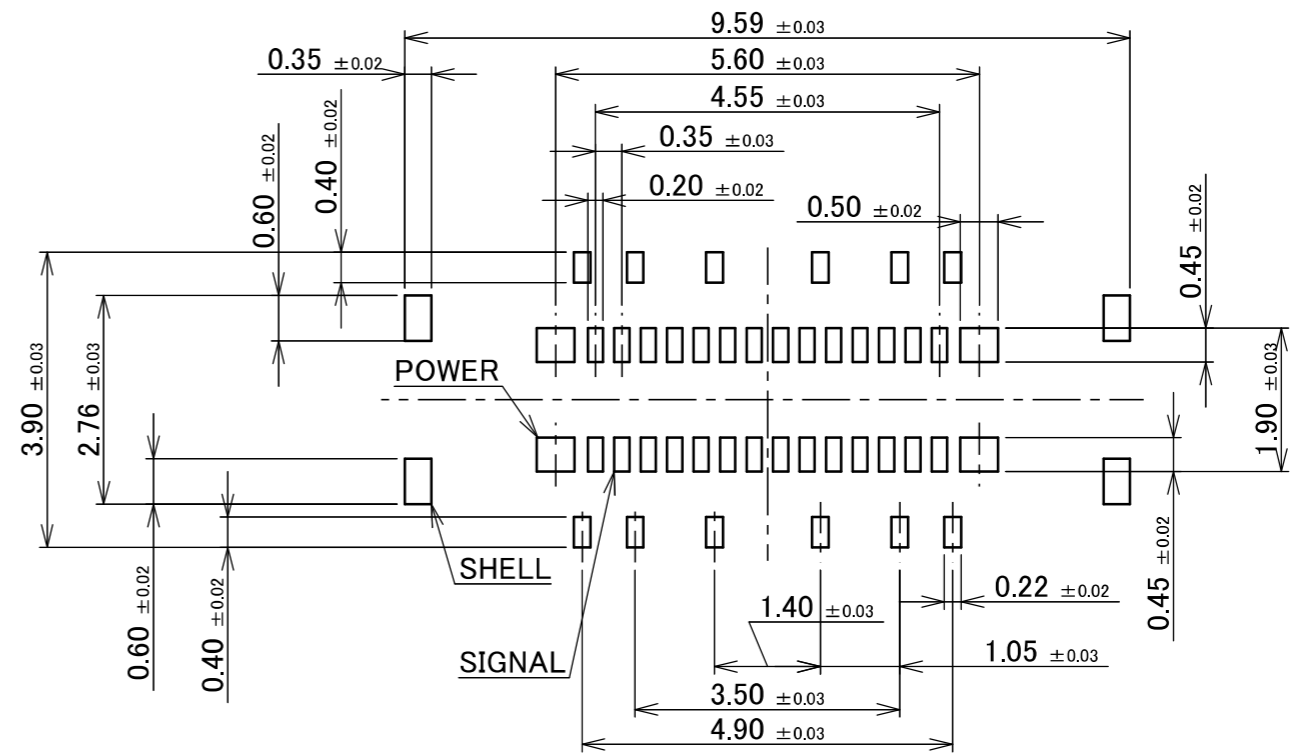
ANGLE	±2°	6 OVER 30 MAX.	±0.3	PROJECTION ⊕	SERIES No. R1	CUSTOMER COPY			
	6 MAX.	±0.2	30 OVER 120 MAX.						±0.5
GENERAL TOLERANCE.				TITLE		SCALE	<b>I-PEX</b>		
DWG.	DATE			NOVASTACK® 35-HDP PLUG ASSEMBLY		10:1			
CHK.						UNIT			
APP.						mm			
				DWG. No.	20697	SIZE	SHEET	REV.	
						A3	2/9	13	

ITEMS	SPECIFICATION
APPLICABLE CONNECTOR PART No.	20698-0**E-01
RATED VOLTAGE	60V AC (PER CONTACT PIN)
RATED AMPERAGE (FOR SIGNAL CONTACT)	0.3A AC/DC (PER CONTACT PIN)/ 12.0A AC/DC(TOTAL)
RATED AMPERAGE (FOR POWER CONTACT)	2.2A AC/DC (PER CONTACT PIN)/ 8.8A AC/DC(TOTAL)
OPERATING TEMPERATURE	233~358K(-40°C~+85°C)
OPERATING HUMIDITY	85% MAX.
CONTACT RESISTANCE (FOR SIGNAL CONTACT)	INITIAL : 40mohm MAX. / AFTER TEST : $\Delta$ 40mohm MAX.
CONTACT RESISTANCE (FOR POWER CONTACT)	INITIAL : 20mohm MAX. / AFTER TEST : $\Delta$ 20mohm MAX.
CONTACT RESISTANCE (FOR GROUND)	INITIAL : 20mohm MAX. / AFTER TEST : $\Delta$ 20mohm MAX.
INSULATION RESISTANCE	INITIAL : 1,000Mohm MIN. / AFTER TEST : 500Mohm MIN.
DIELECTRIC WITHSTANDING VOLTAGE	AC 250V 1 min
DURABILITY	30 CYCLES
MATING FORCE (INITIAL)	16P: 32.0 N MAX. 28P: 32.0 N MAX. 34P: 38.0 N MAX. 42P: 46.0 N MAX. 56P: 60.0 N MAX. 62P: 66.0 N MAX.
UNMATING FORCE (AFTER TEST)	16P: 3.2 N MIN. 28P: 3.2 N MIN. 34P: 3.8 N MIN. 42P: 4.6 N MIN. 56P: 6.0 N MIN. 62P: 6.6 N MIN.
COPLANARITY	CONTACT AND POWER CONTACT : 0.08 MAX. SHELL : 0.105 MAX.
PRODUCT SPECIFICATION	PRS-2187
TEST REPORT	TR-16014
PACKING STANDARD	PST-15083
INSTRUCTION MANUAL	HIM-15020
APPEARANCE CRITERIA No.	QLS-A***

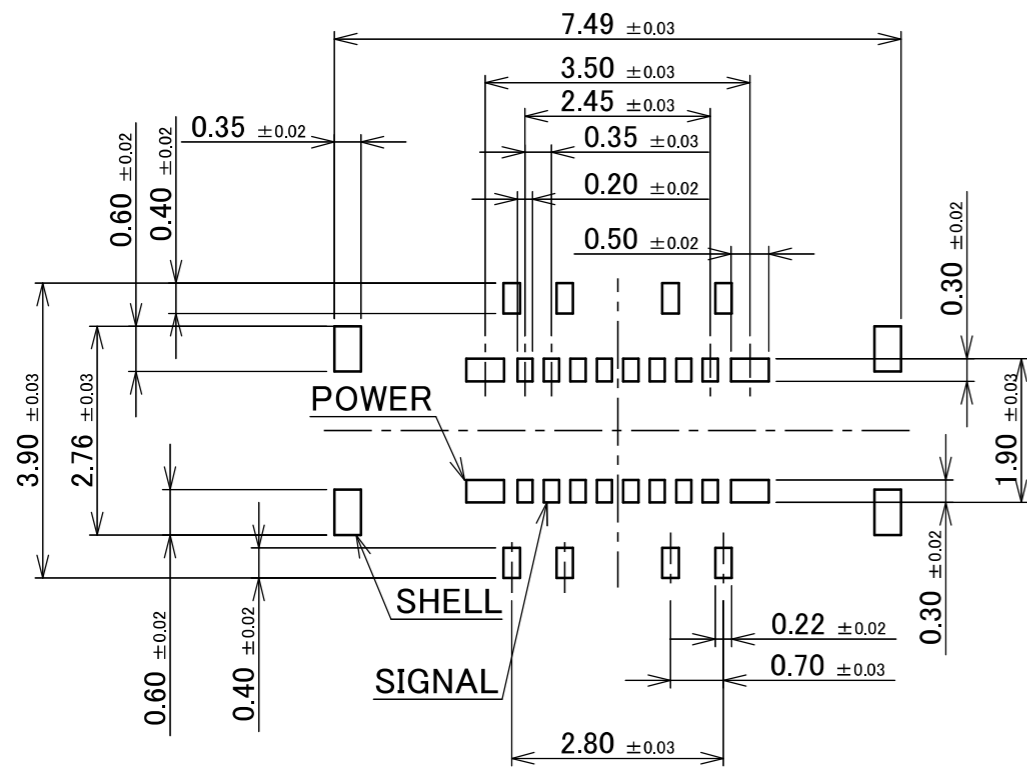
ANGLE	$\pm 2^\circ$	6 OVER 30 MAX.	$\pm 0.3$	PROJECTION 	SERIES No. R1	CUSTOMER COPY		
6 MAX.	$\pm 0.2$	30 OVER 120 MAX.	$\pm 0.5$					
GENERAL TOLERANCE.				TITLE NOVASTACK® 35-HDP PLUG ASSEMBLY	SCALE 10:1	<b>I-PEX</b>		
DWG.	DATE							
CHK.								
APP.								
				DWG. No.	20697	SIZE A3	SHEET 3/9	REV. 13



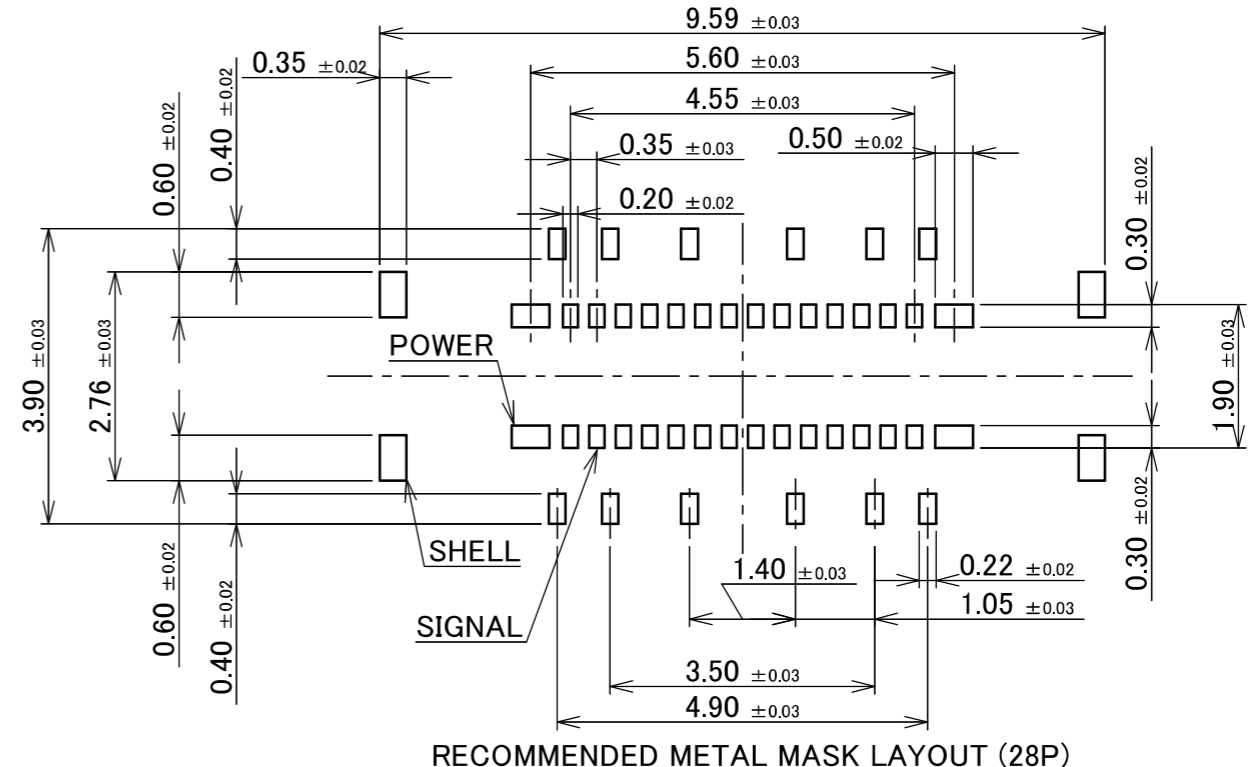
RECOMMENDED PATTERN LAYOUT (16P)



RECOMMENDED PATTERN LAYOUT (28P)

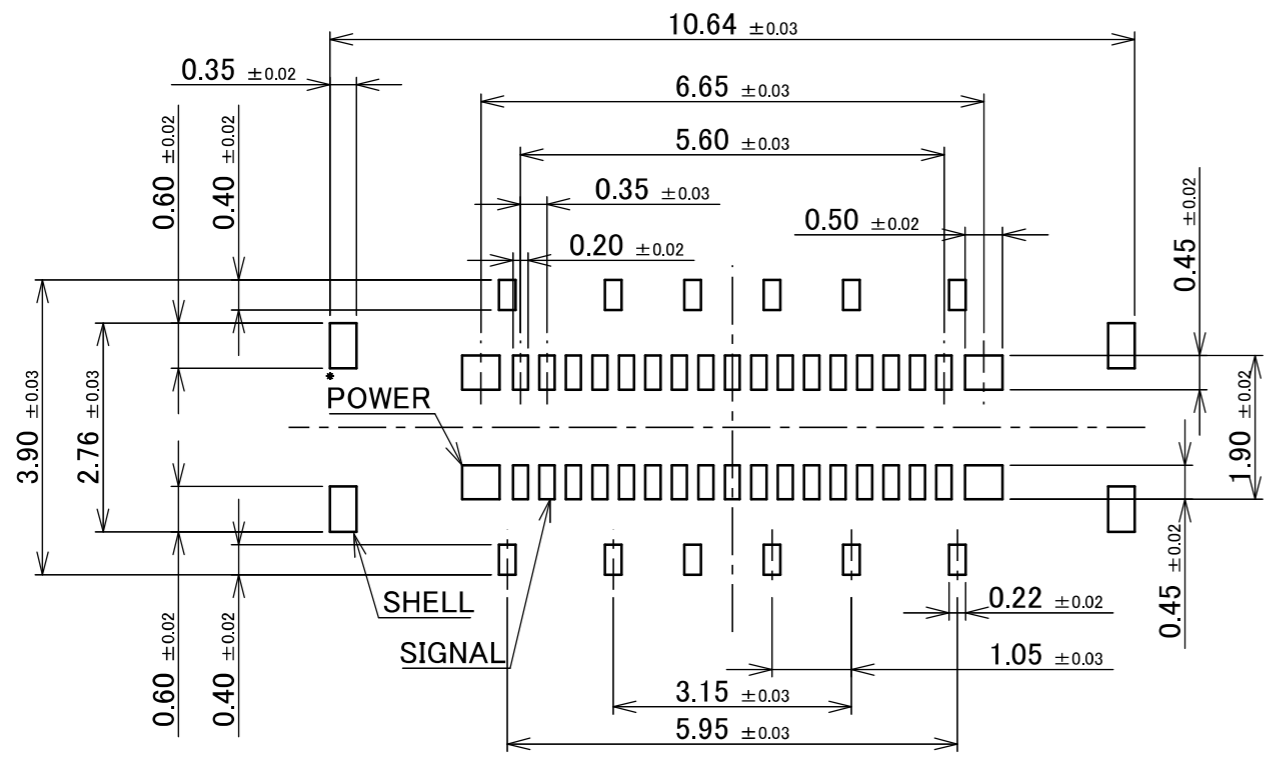


RECOMMENDED METAL MASK LAYOUT (16P)  
THICKNESS : t=0.10 mm

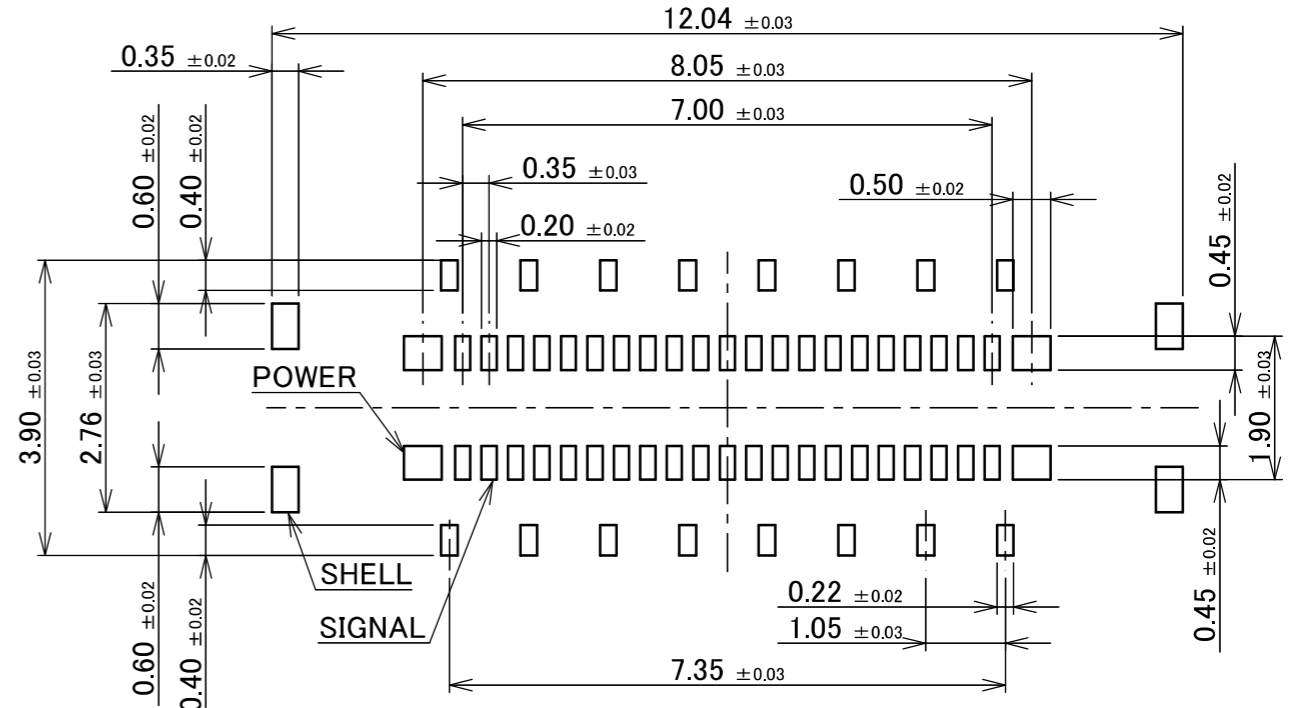


RECOMMENDED METAL MASK LAYOUT (28P)  
THICKNESS : t=0.10 mm

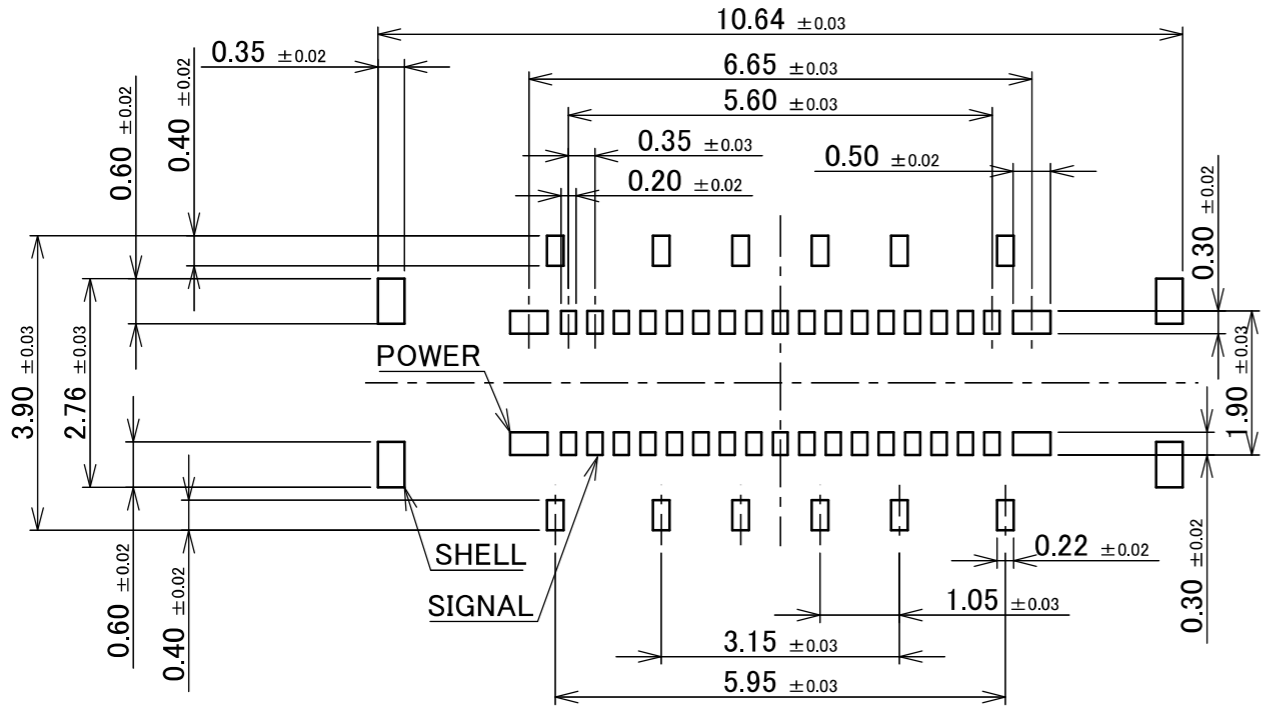
ANGLE	±2°	6 OVER 30 MAX.	±0.3	PROJECTION ⊕	SERIES No. R1	CUSTOMER COPY			
	6 MAX.	±0.2	30 OVER 120 MAX.						±0.5
GENERAL TOLERANCE.				TITLE		SCALE	I-PEX		
DWG.	DATE			NOVASTACK® 35-HDP PLUG ASSEMBLY		10:1			
CHK.						UNIT			
APP.						mm			
				DWG. No.	20697	SIZE	SHEET	REV.	
						A3	4/9	13	



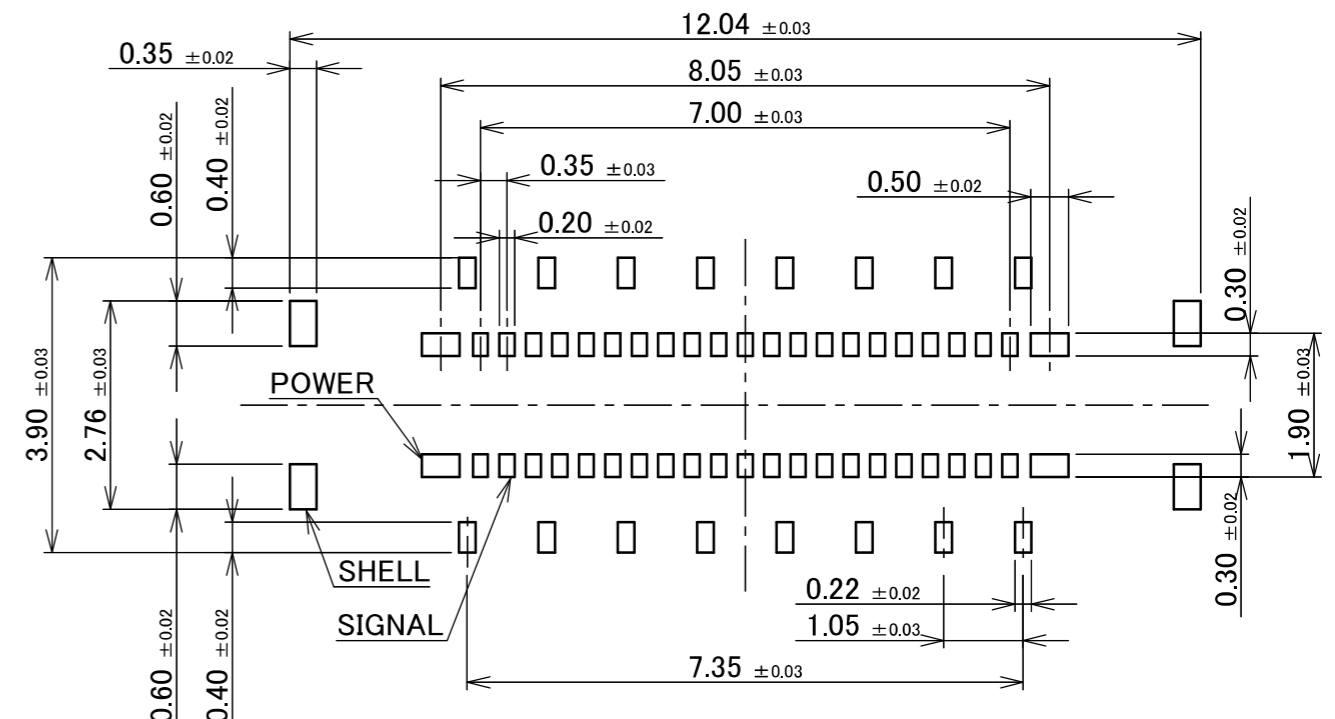
RECOMMENDED PATTERN LAYOUT (34P)



RECOMMENDED PATTERN LAYOUT (42P)

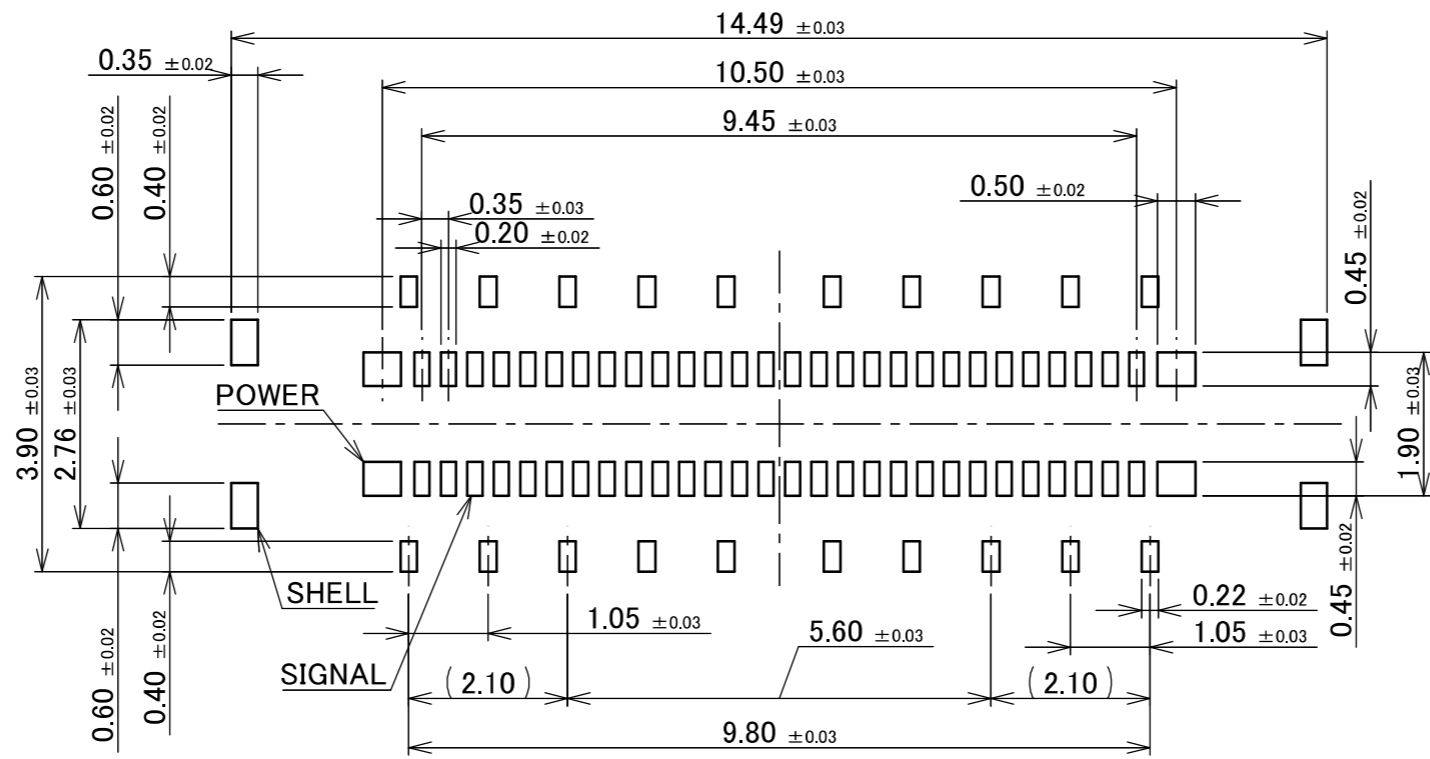


RECOMMENDED METAL MASK LAYOUT (34P)  
THICKNESS : t=0.10 mm

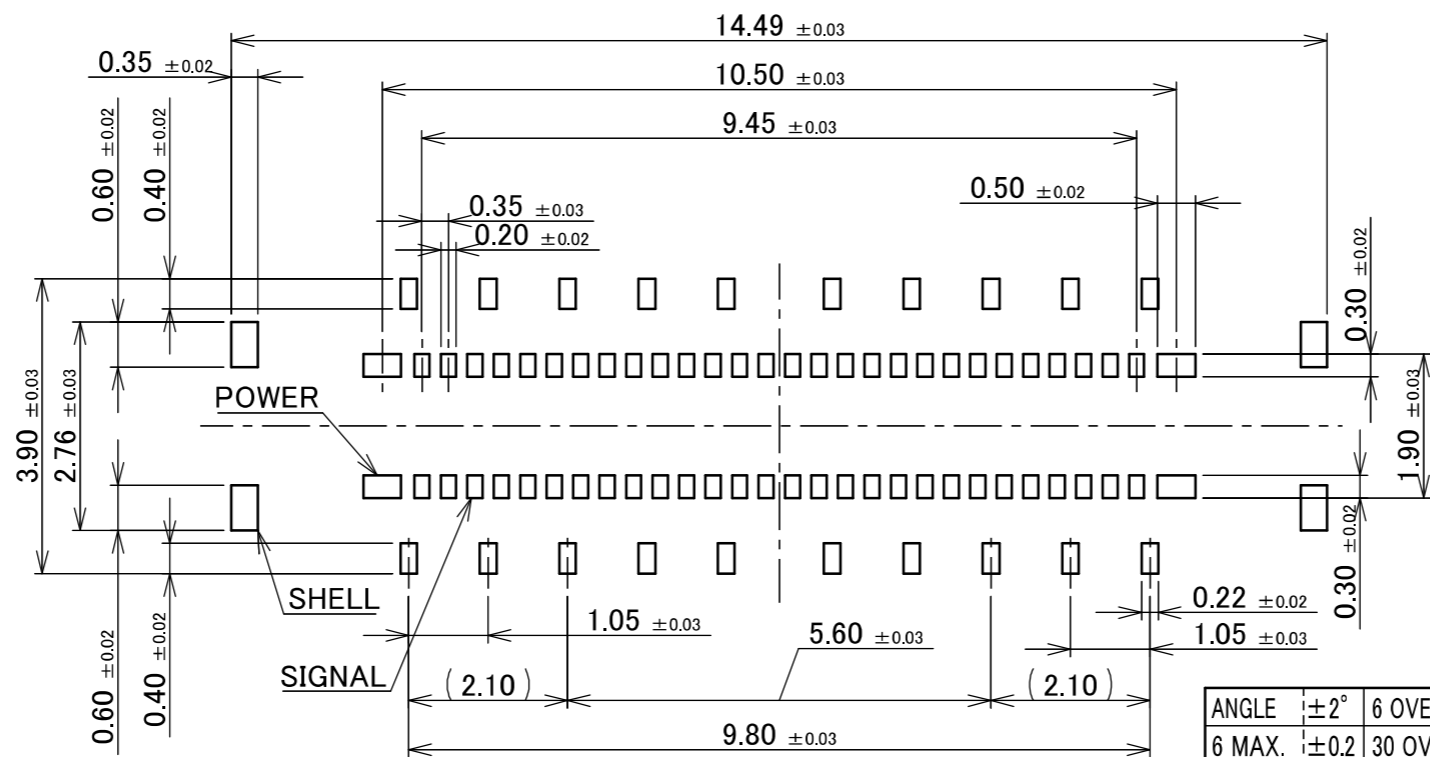


RECOMMENDED METAL MASK LAYOUT (42P)  
THICKNESS : t=0.10 mm

ANGLE	±2°	6 OVER 30 MAX.	±0.3	PROJECTION ⊕	SERIES No. R1	CUSTOMER COPY			
	6 MAX.	±0.2	30 OVER 120 MAX.						±0.5
GENERAL TOLERANCE.				TITLE		SCALE	I-PEX		
DWG.	DATE			NOVASTACK® 35-HDP PLUG ASSEMBLY		10:1			
CHK.						UNIT			
APP.						mm			
				DWG. No.	20697	SIZE	SHEET	REV.	
						A3	5/9	13	



RECOMMENDED PATTERN LAYOUT (56P)

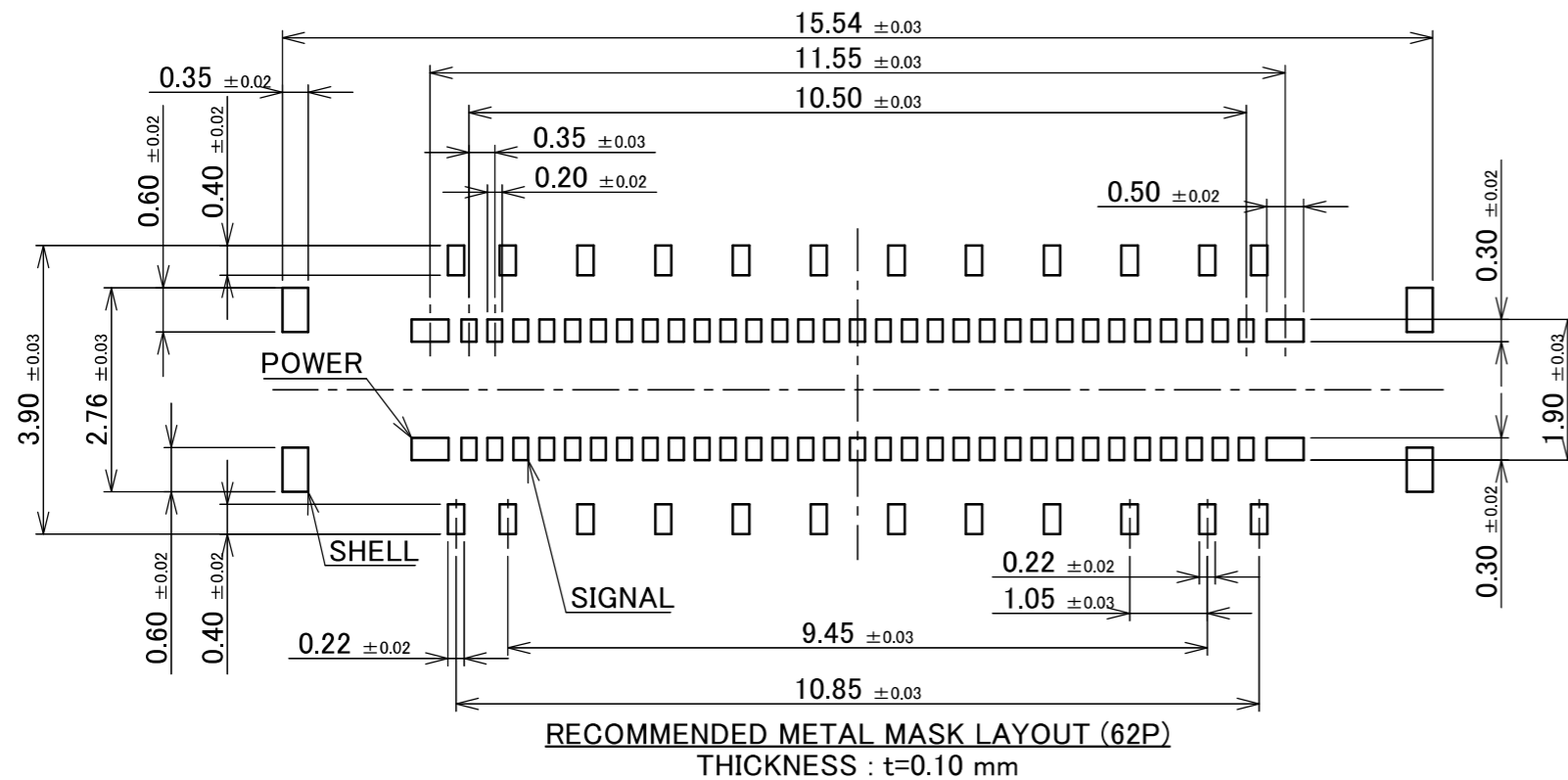
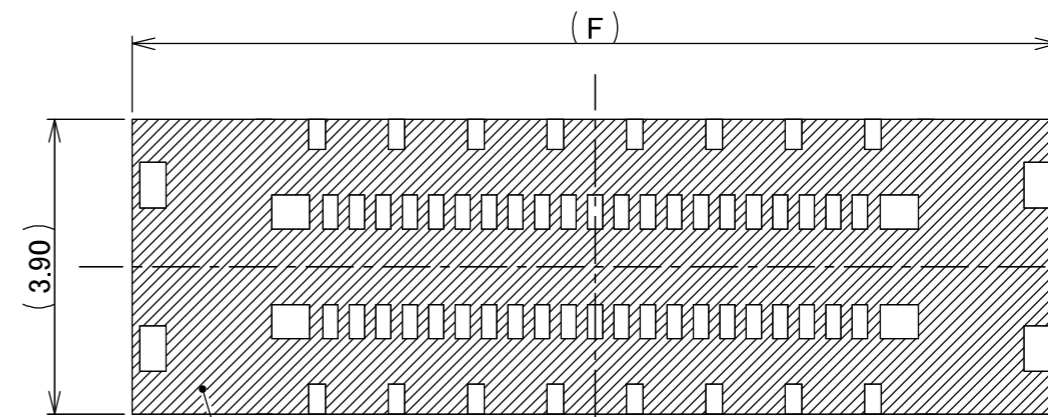
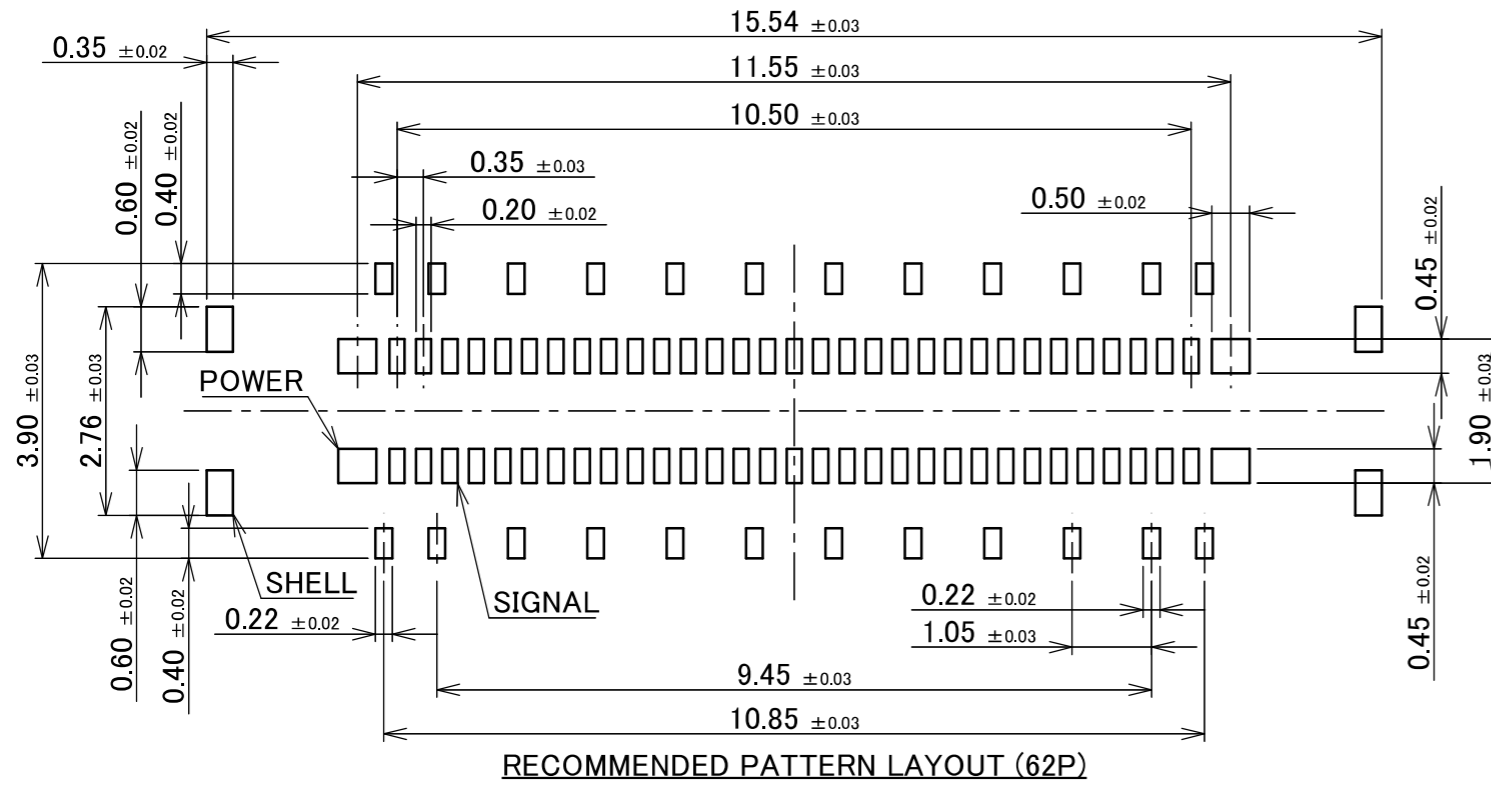


RECOMMENDED METAL MASK LAYOUT (56P)  
THICKNESS : t=0.10 mm

ANGLE	±2°	6 OVER 30 MAX.	±0.3	PROJECTION ⊕	SERIES No. R1	CUSTOMER COPY		
	6 MAX.	±0.2	30 OVER 120 MAX.					±0.5
GENERAL TOLERANCE.				TITLE		SCALE	I-PEX	
DWG.	DATE			NOVASTACK® 35-HDP PLUG ASSEMBLY		10:1		
CHK.						UNIT mm		
APP.				DWG. No.	20697	SIZE A3	SHEET 6/9	REV. 13

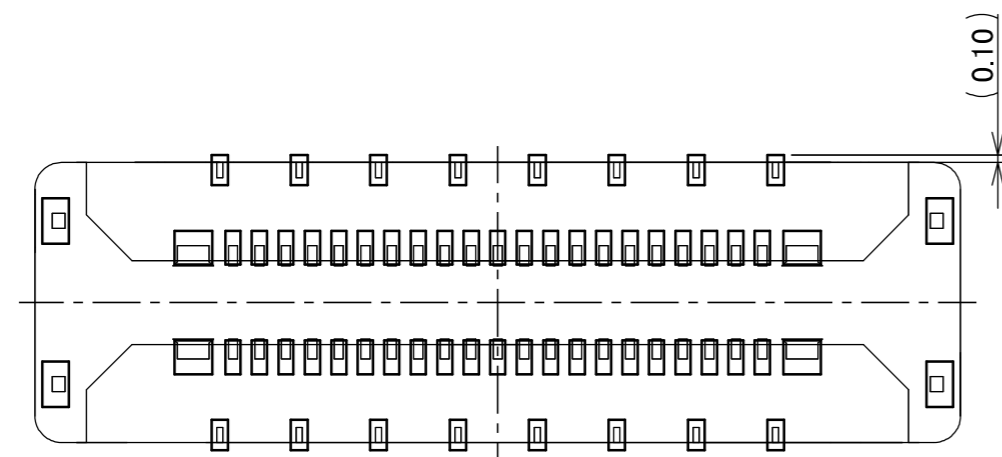
PART No.	SIGNAL POS.	POWER POS.	F
20697-016E-01	16P	4P	7.99
20697-028E-01	28P	4P	10.09
20697-034E-01	34P	4P	11.14
20697-042E-01	42P	4P	12.54
20697-056E-01	56P	4P	14.99
20697-062E-01	62P	4P	16.04

20697-0\*\*E-01  
Pos.

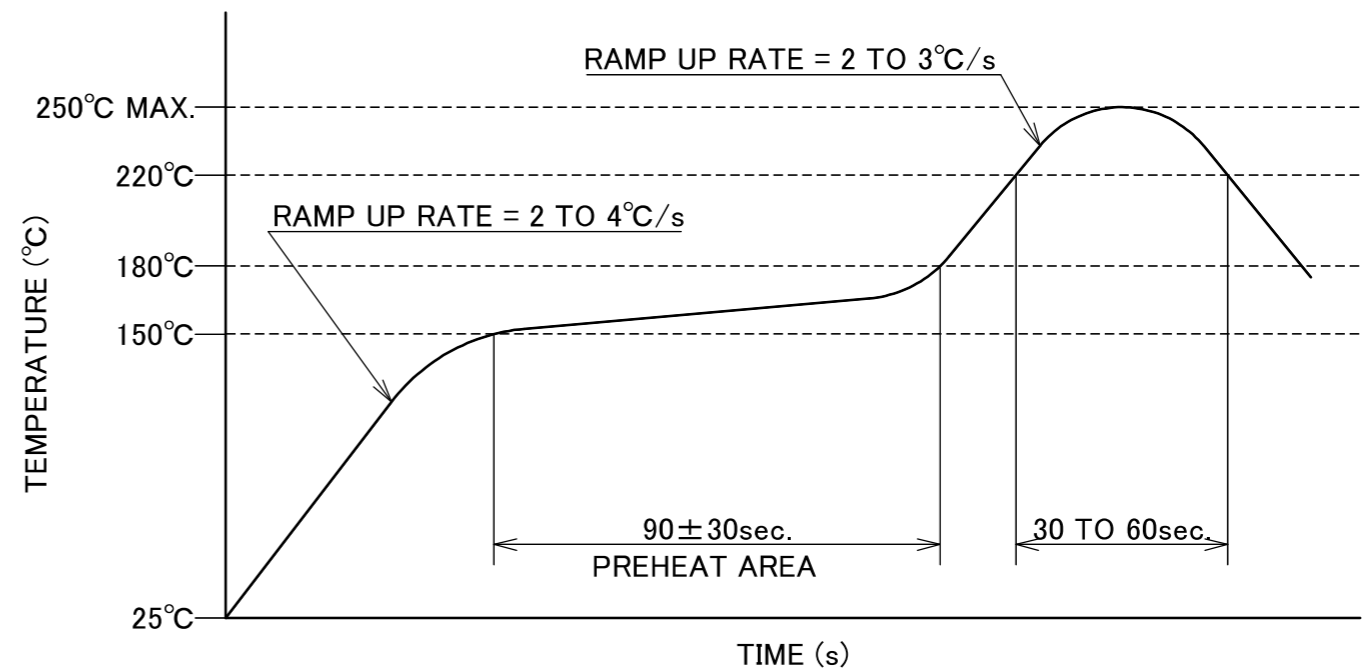


NOTES.  
1. THIS AREA CANNOT MOUNT ANOTHER COMPONENTS.

ANGLE	±2°	6 OVER 30 MAX.	±0.3	PROJECTION ⊕	SERIES No. R1	CUSTOMER COPY			
6 MAX.	±0.2	30 OVER 120 MAX.	±0.5						
GENERAL TOLERANCE.				TITLE		SCALE	I-PEX		
DWG.	DATE			NOVASTACK® 35-HDP PLUG ASSEMBLY		10:1			
CHK.						mm			
APP.				DWG. No.	20697	SIZE	SHEET	REV.	
						A3	7/9	13	



CONNECTOR ON RECOMMENDED FOOTPRINT PATTERN

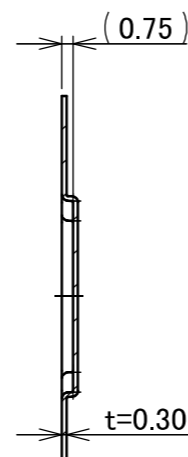
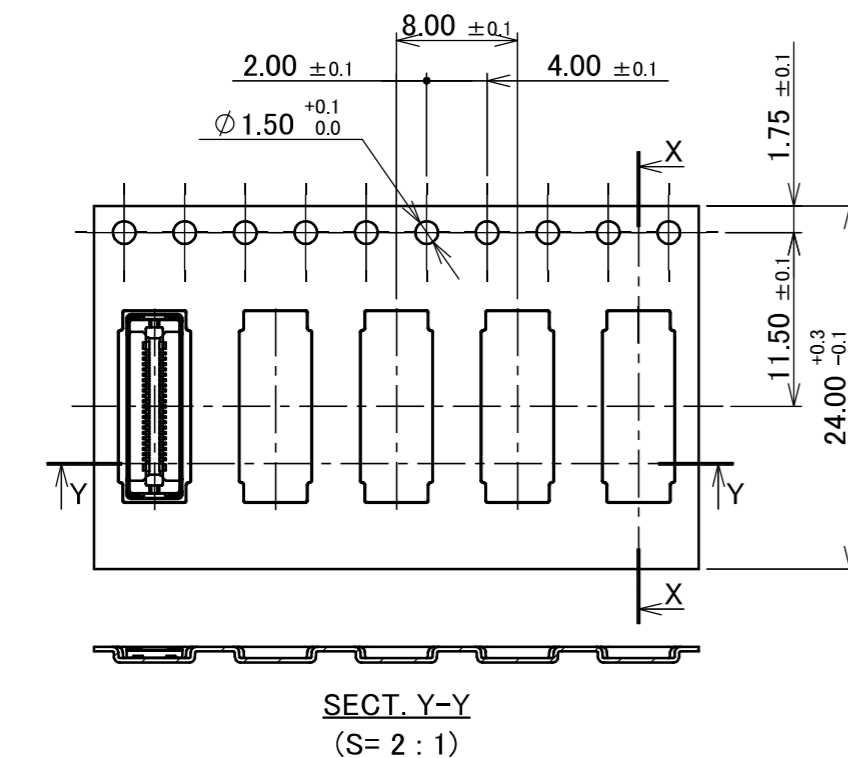
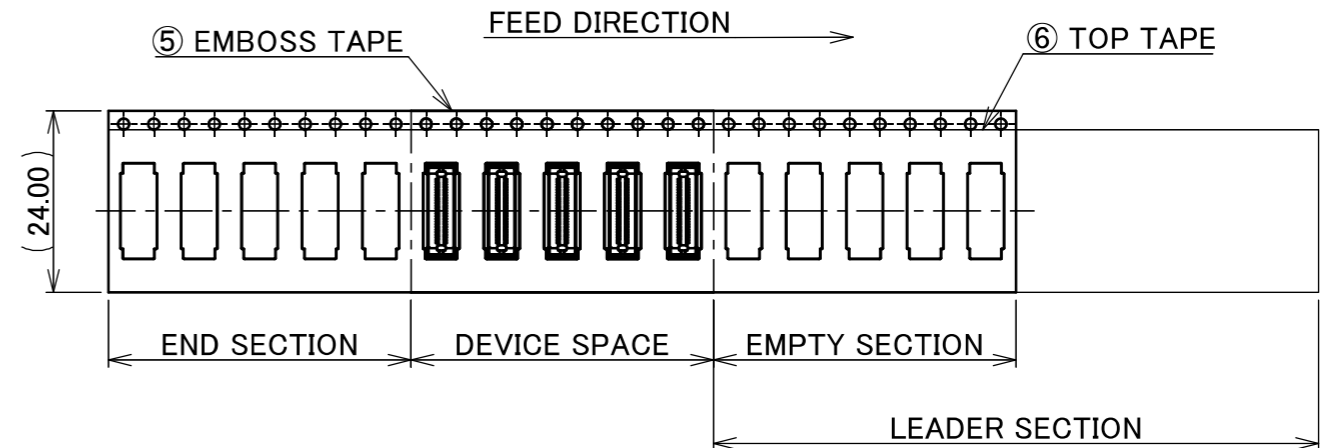
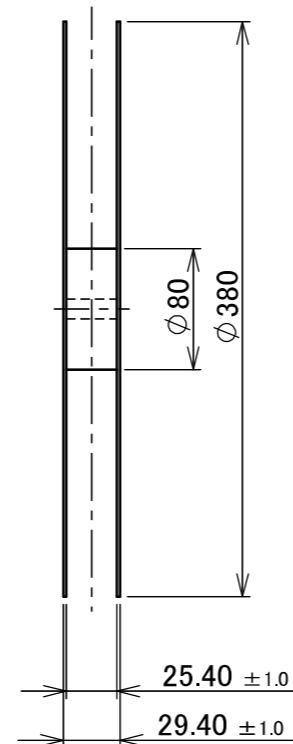
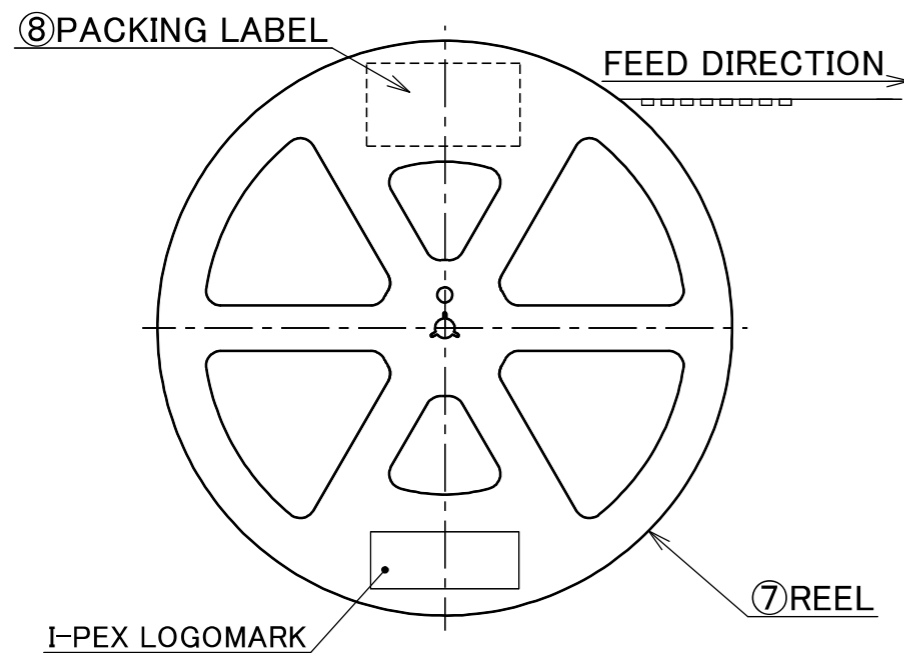


REFLOW TEMPERATURE PROFILE  
 SENJU METAL INDUSTRY CO., LTD. : M705-SHF(Sn96.5 Ag3.0 Cu0.5)

ANGLE	±2°	6 OVER 30 MAX.	±0.3	PROJECTION 	SERIES No. R1	CUSTOMER COPY		
6 MAX.	±0.2	30 OVER 120 MAX.	±0.5			TITLE NOVASTACK® 35-HDP PLUG ASSEMBLY	SCALE 10:1	<b>I-PEX</b>
GENERAL TOLERANCE.				DWG. No. 20697	UNIT mm	SIZE A3	SHEET 8/9	
DWG.	DATE				APP.			
CHK.								
APP.								

PART NO.	Pos.	QTY. PER EMBOSS REEL (PIECES / REEL)	QTY. PER PACKING CARTON
20697-0**E-01	16P	10,000 / REEL	10,000 × 5 REELS = 50,000
	28P		
	34P		
	42P		
	56P		
	62P		

20697-0\*\*E-01  
Pos.



NOTES.

- TAPING SPECIFICATION FOLLOWS JIS C 0806 (IEC 60286-3).
- EMPTY SECTION OF LEADER AND END ON EACH END OF THE TAPE FOLLOW JIS C 0806 (IEC 60286-3).
- TOP TAPE SHALL NOT STICK OUT FROM EMBOSS TAPE.
- TOP TAPE SHALL NOT COVER FEED HOLE.

NO.	DESCRIPTION	MATERIAL	FINISH, REMARKS
8	PACKING LABEL	-	-
7	REEL	PS	ANTI-STATIC TYPE BLACK
6	TOP TAPE	PET TRANSPARENCY	ANTI-STATIC TYPE
5	EMBOSS TAPE	PS TRANSPARENCY	ANTI-STATIC TYPE

ANGLE	±2°	6 OVER 30 MAX.	±0.3	PROJECTION	SERIES No.	CUSTOMER COPY			
6 MAX.	±0.2	30 OVER 120 MAX.	±0.5		R1				
GENERAL TOLERANCE.				TITLE	NOVASTACK® 35-HDP PLUG ASSEMBLY		SCALE	5:1	
DWG.	DATE					UNIT	I-PEX		
CHK.						mm			
APP.				DWG. No.	20697	SIZE	SHEET	REV.	
						A3	9/9	13	