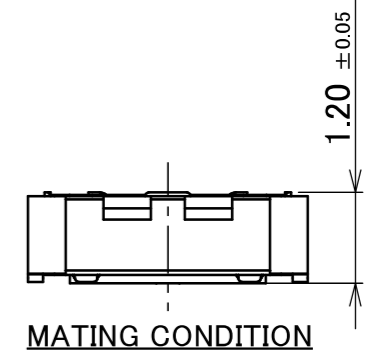
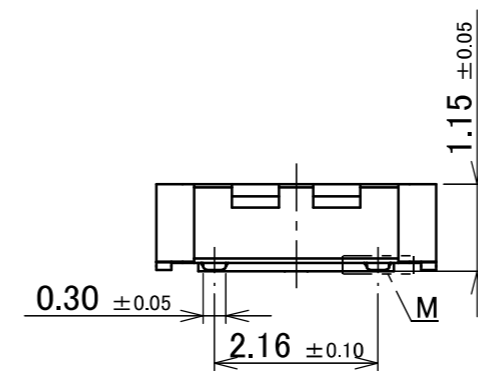
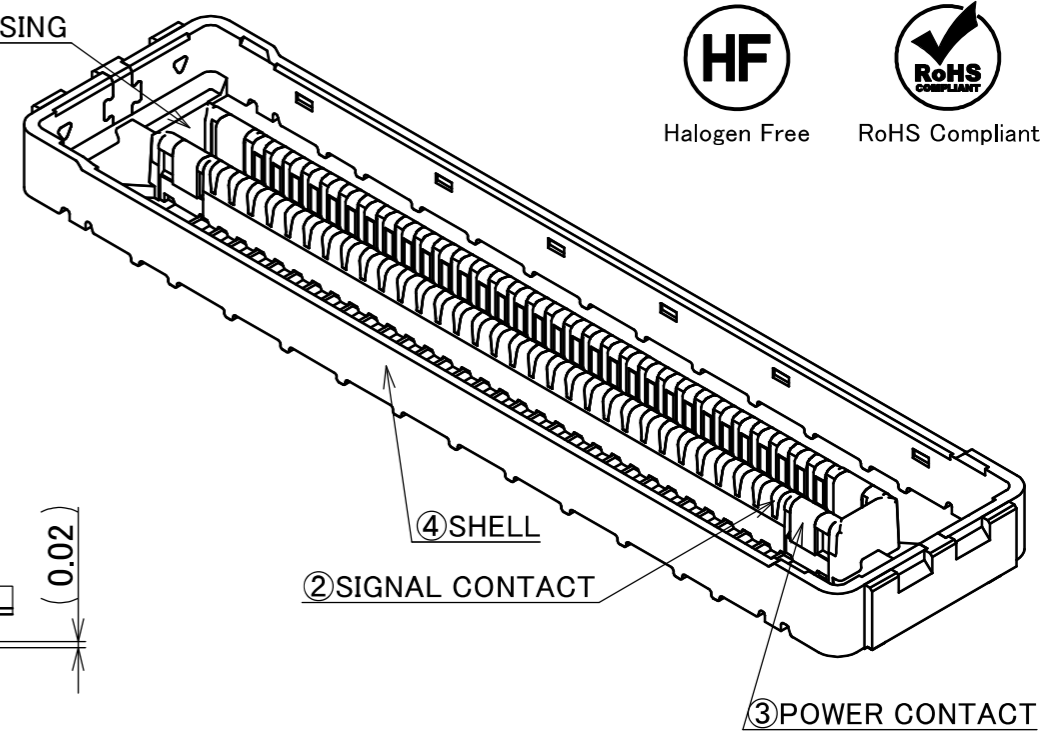
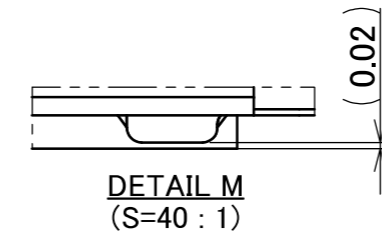
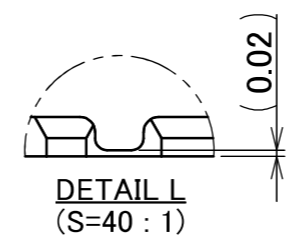
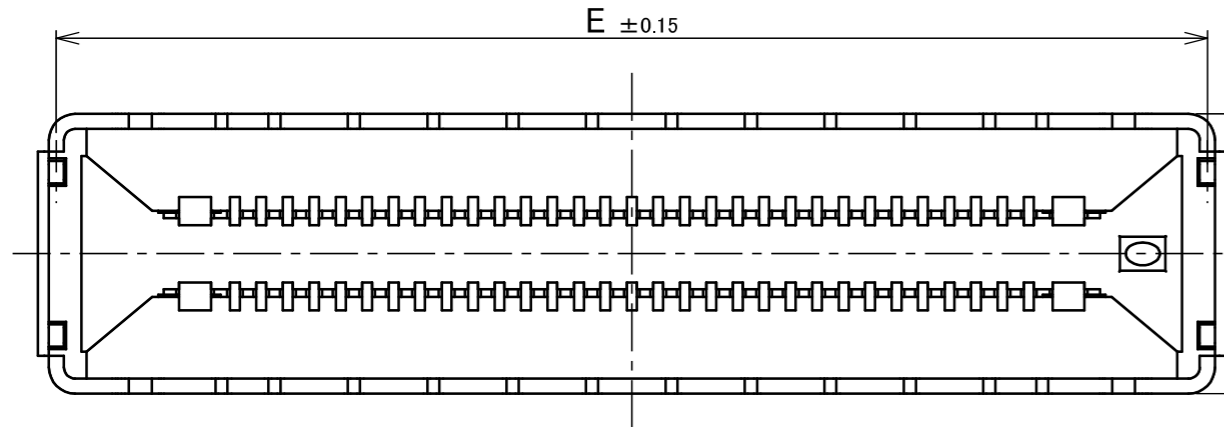
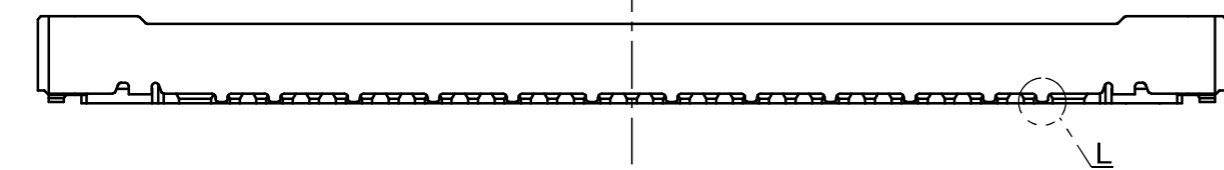
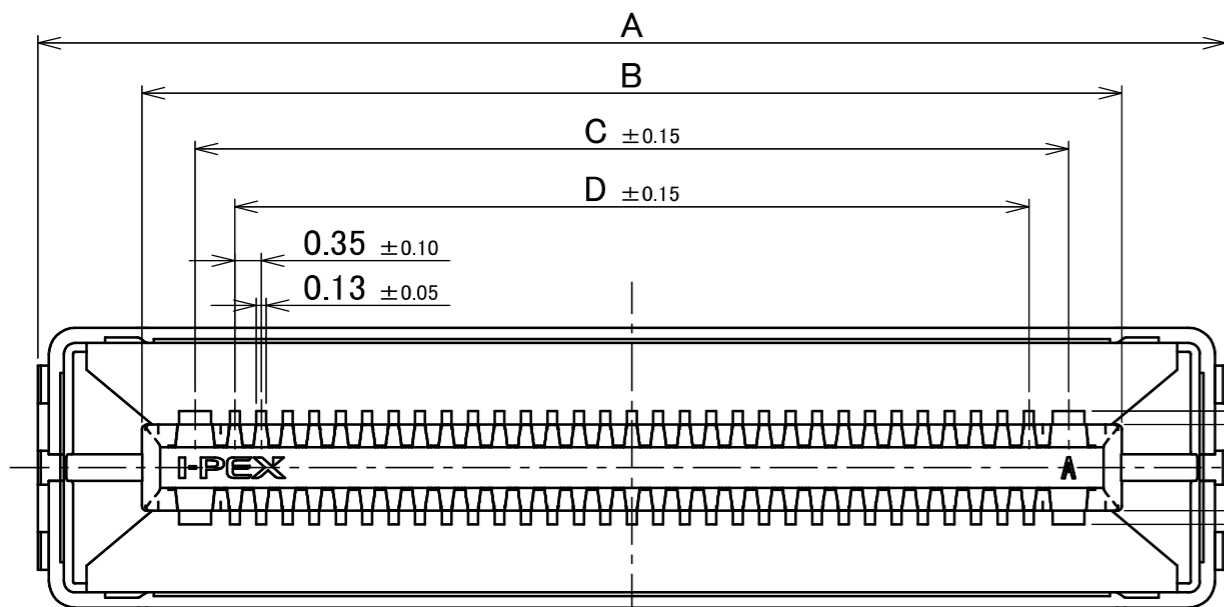


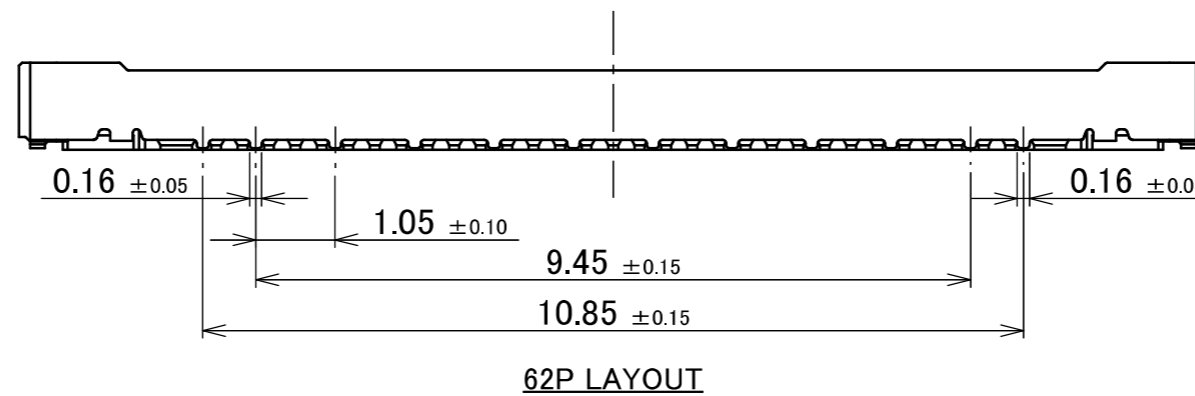
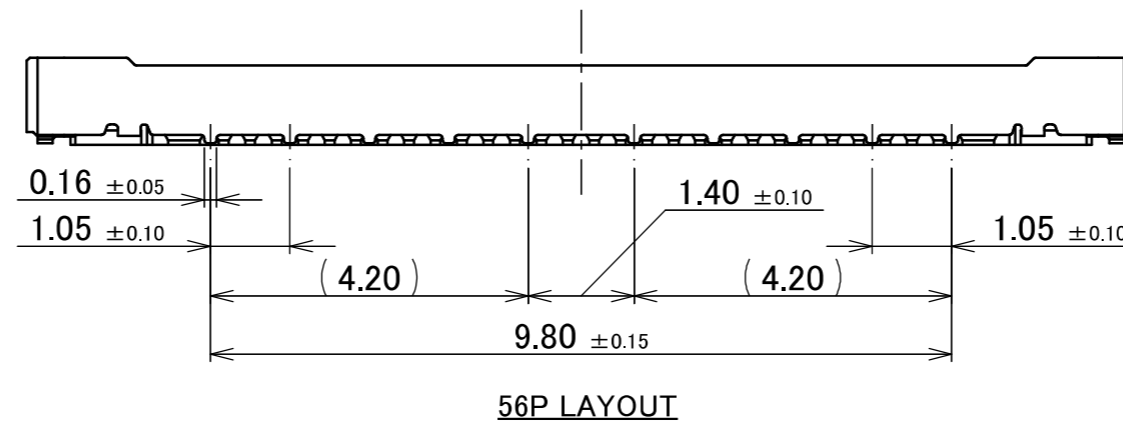
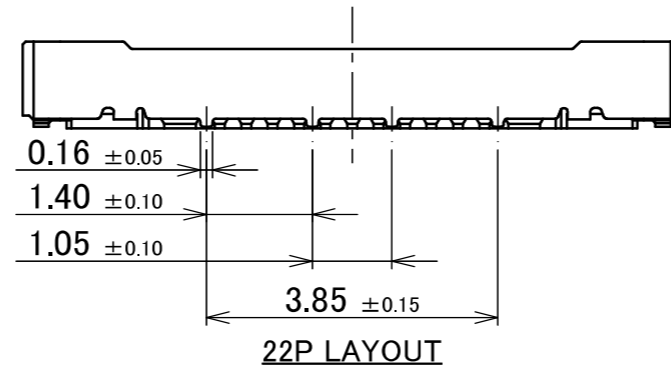
RECOMMENDED PART No. 21150-0E-01**

PART No.	SIGNAL POS.	POWER POS.	A	B	C	D	E
21150-022E-01	22P	4P	8.71	5.96	4.55	3.50	8.22
21150-056E-01	56P	4P	14.66	11.91	10.50	9.45	14.17
21150-062E-01	62P	4P	15.71	12.96	11.55	10.50	15.22



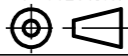
4	SHELL	CORSON ALLOY	ALL OVER Ni 1.27 μm MIN. Au 0.01 μm MIN. 0.025 μm MAX.	
3	POWER CONTACT	CORSON ALLOY	ALL OVER Ni 1.27 μm MIN. CONTACT PART Au 0.05 μm MIN. SOLDERING PART Au 0.02 μm MIN.	
2	SIGNAL CONTACT	CORSON ALLOY	ALL OVER Ni 1.27 μm MIN. CONTACT PART Au 0.05 μm MIN. SOLDERING PART Au 0.02 μm MIN.	
1	HOUSING	LCP	UL94V-0, BLACK (PFAS FREE)	
NO.	DISCRIPTION	MATERIAL	FINISH , REMARKS	
		ANGLE ±2° 6 OVER 30 MAX. ±0.3	PROJECTION	SERIES No. R0
		6 MAX. ±0.2 30 OVER 120 MAX. ±0.5	NOVASTACK® 35-HDP 12 PLUG ASSEMBLY	CUSTOMER COPY
		GENERAL TOLERANCE.	TITLE	SCALE 10:1
		DWG. S.Abe DATE 2026/04/09	NOVASTACK® 35-HDP 12 PLUG ASSEMBLY	UNIT I-PEX
0	ZC00560	S.Abe 2026/04/09		mm
REV.	ECN	BY	DATE	APP.
				S.Suzuki
REVISION RECORD			DWG. No. 21150	SIZE SHEET REV. A3 1/7 0

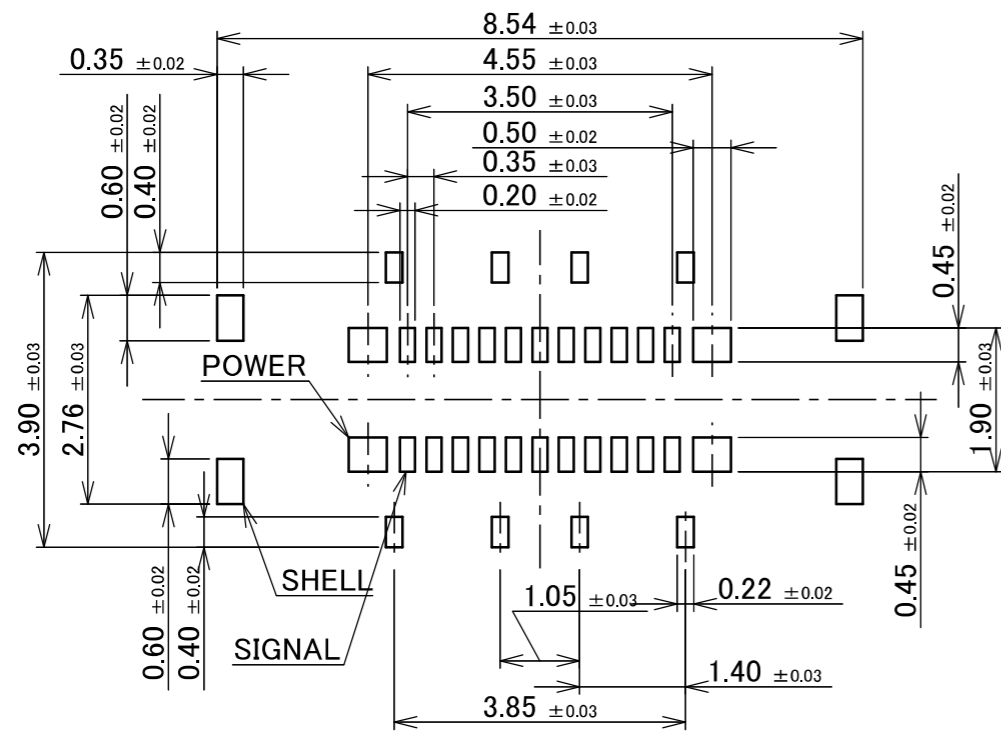
PART No.	SIGNAL POS.	POWER POS.
21150-022E-01	22P	4P
21150-056E-01	56P	4P
21150-062E-01	62P	4P



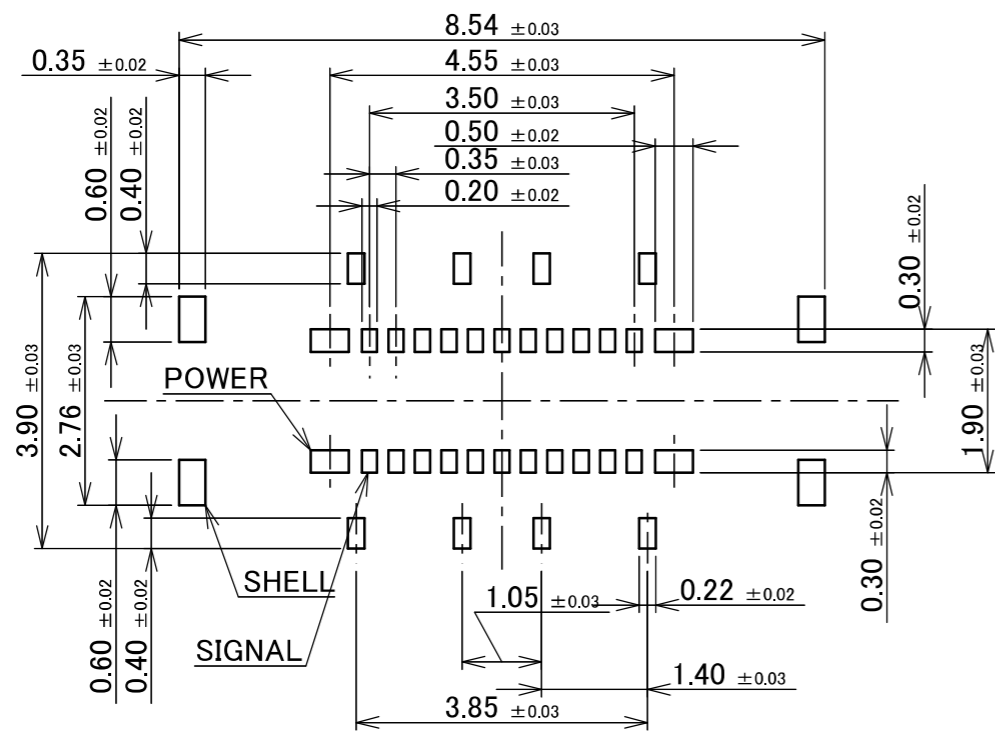
ANGLE	±2°	6 OVER 30 MAX.	±0.3	PROJECTION ⊕	SERIES No. R0	CUSTOMER COPY		
6 MAX.	±0.2	30 OVER 120 MAX.	±0.5					
GENERAL TOLERANCE.				TITLE NOVASTACK® 35-HDP 12 PLUG ASSEMBLY	SCALE 10:1	I-PEX		
DWG.	DATE							
CHK.								
APP.								
				DWG. No.	21150	SIZE A3	SHEET 2/7	REV. 0

ITEMS	SPECIFICATION
APPLICABLE CONNECTOR PART No.	21151-0**E-01
RATED VOLTAGE	60V AC (PER CONTACT PIN)
RATED AMPERAGE (FOR SIGNAL CONTACT)	0.3A AC/DC (PER CONTACT PIN)/ 12.0A AC/DC(TOTAL)
RATED AMPERAGE (FOR POWER CONTACT)	4.5A AC/DC (PER CONTACT PIN)/ 18.0A AC/DC(TOTAL)
OPERATING TEMPERATURE	233 TO 358K(-40°C TO +85°C)
OPERATING HUMIDITY	85% MAX.
CONTACT RESISTANCE (FOR SIGNAL CONTACT)	INITIAL : 40mohm MAX. / AFTER TEST : Δ 40mohm MAX.
CONTACT RESISTANCE (FOR POWER CONTACT)	INITIAL : 10mohm MAX. / AFTER TEST : Δ 10mohm MAX.
CONTACT RESISTANCE (FOR GROUND)	INITIAL : 20mohm MAX. / AFTER TEST : Δ 20mohm MAX.
INSULATION RESISTANCE	INITIAL : 1,000Mohm MIN. / AFTER TEST : 500Mohm MIN.
DIELECTRIC WITHSTANDING VOLTAGE	AC250V 1min
DURABILITY	30 CYCLES
MATING FORCE (INITIAL)	22P: 32.0 N MAX. 56P: 60.0 N MAX. 62P: 70.0 N MAX.
UNMATING FORCE (AFTER TEST)	22P: 3.2 N MIN. 56P: 6.0 N MIN. 62P: 7.0 N MIN.
COPLANARITY	CONTACT AND POWER CONTACT: 0.08 MAX. SHELL: 0.105 MAX.
PRODUCT SPECIFICATION	PRS-3005
TEST REPORT	TR-26015
PACKING STANDARD	PST-26017
INSTRUCTION MANUAL	HIM-26010
APPEARANCE CRITERIA No.	QLS-A***

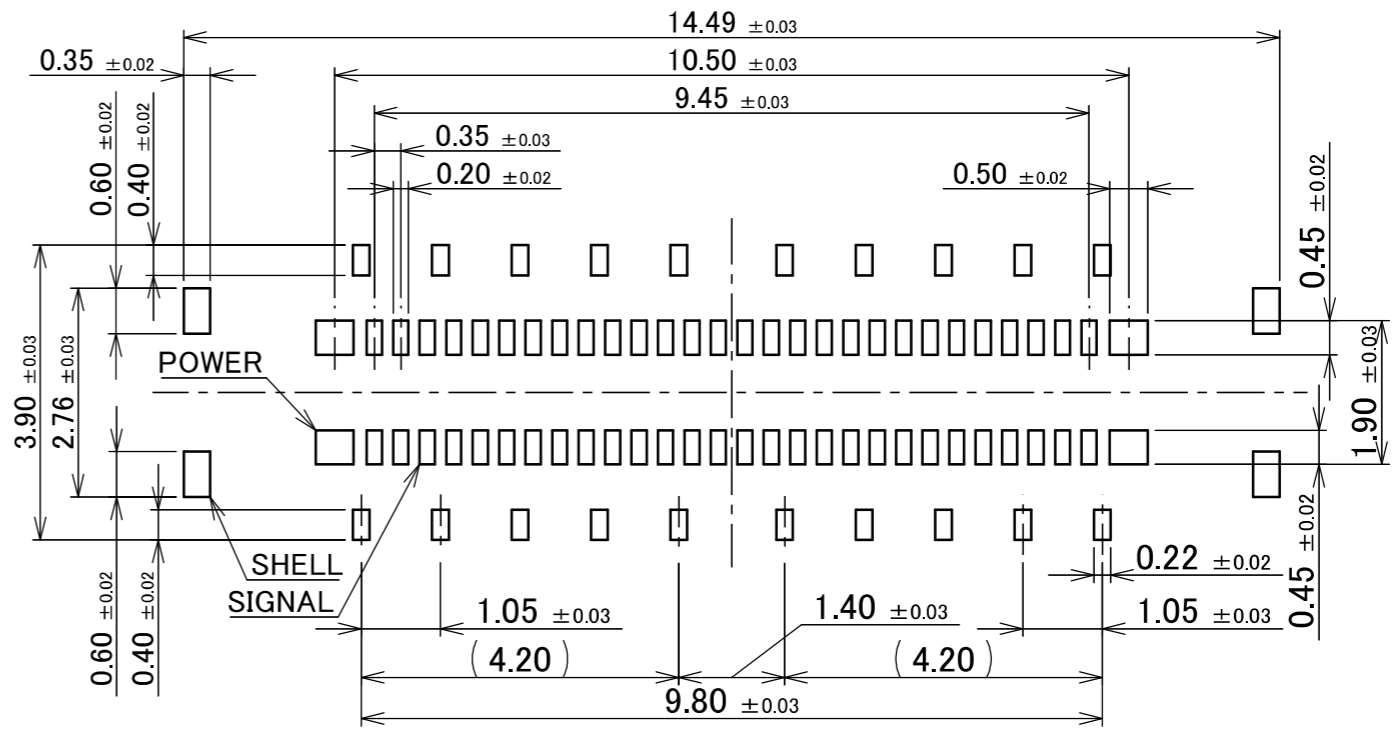
ANGLE	$\pm 2^\circ$	6 OVER 30 MAX.	± 0.3	PROJECTION 	SERIES No. R0	CUSTOMER COPY		
6 MAX.	± 0.2	30 OVER 120 MAX.	± 0.5					
GENERAL TOLERANCE.				TITLE NOVASTACK [®] 35-HDP 12 PLUG ASSEMBLY	SCALE 10:1	I-PEX		
DWG.	DATE							
CHK.								
APP.								
				DWG. No.	21150	SIZE A3	SHEET 3/7	REV. 0



RECOMMENDED PATTERN LAYOUT (22P)



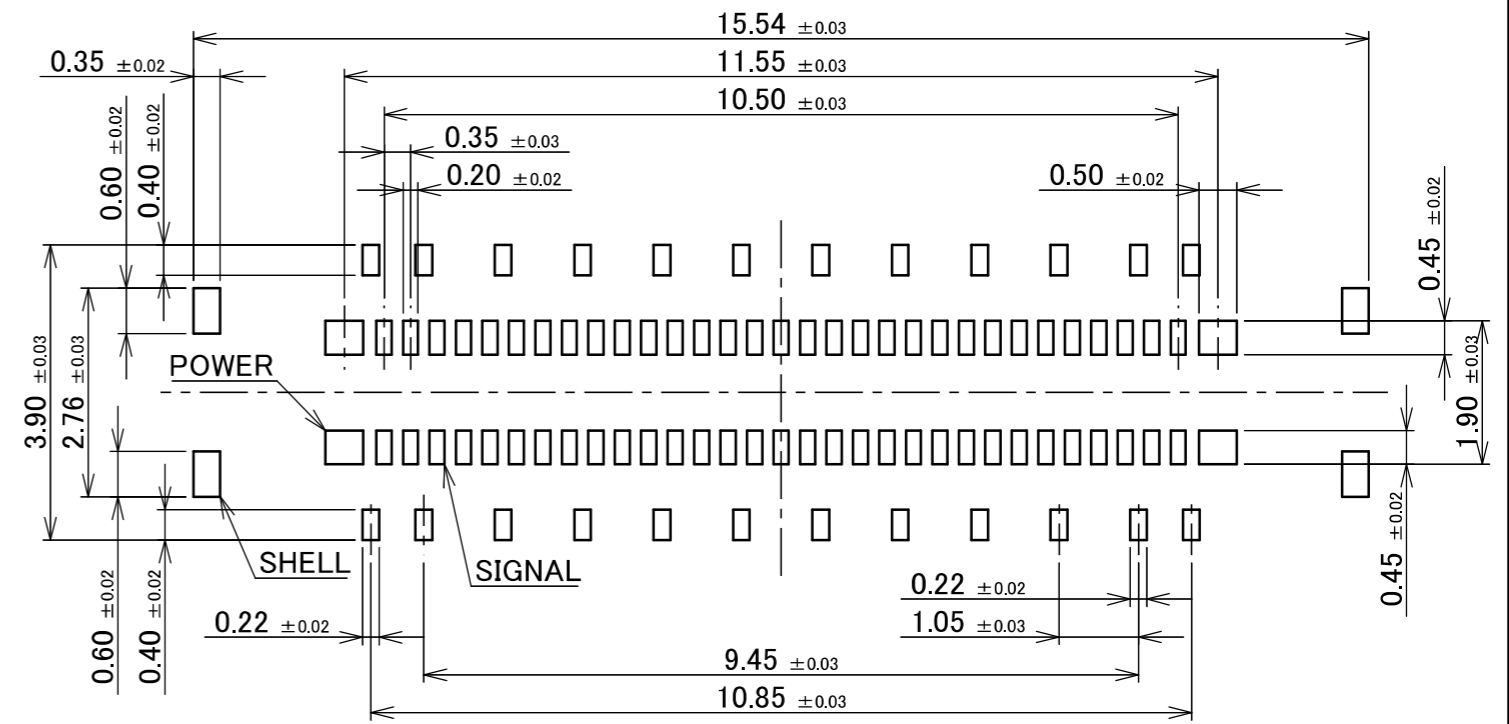
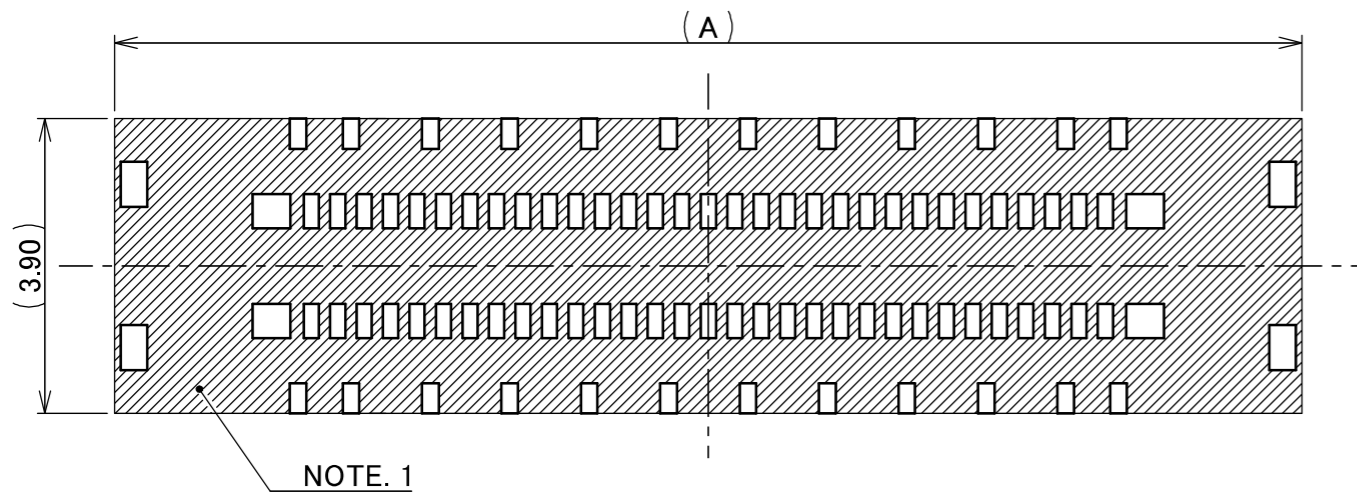
RECOMMENDED METAL MASK LAYOUT (22P)
THICKNESS : t=0.10 mm



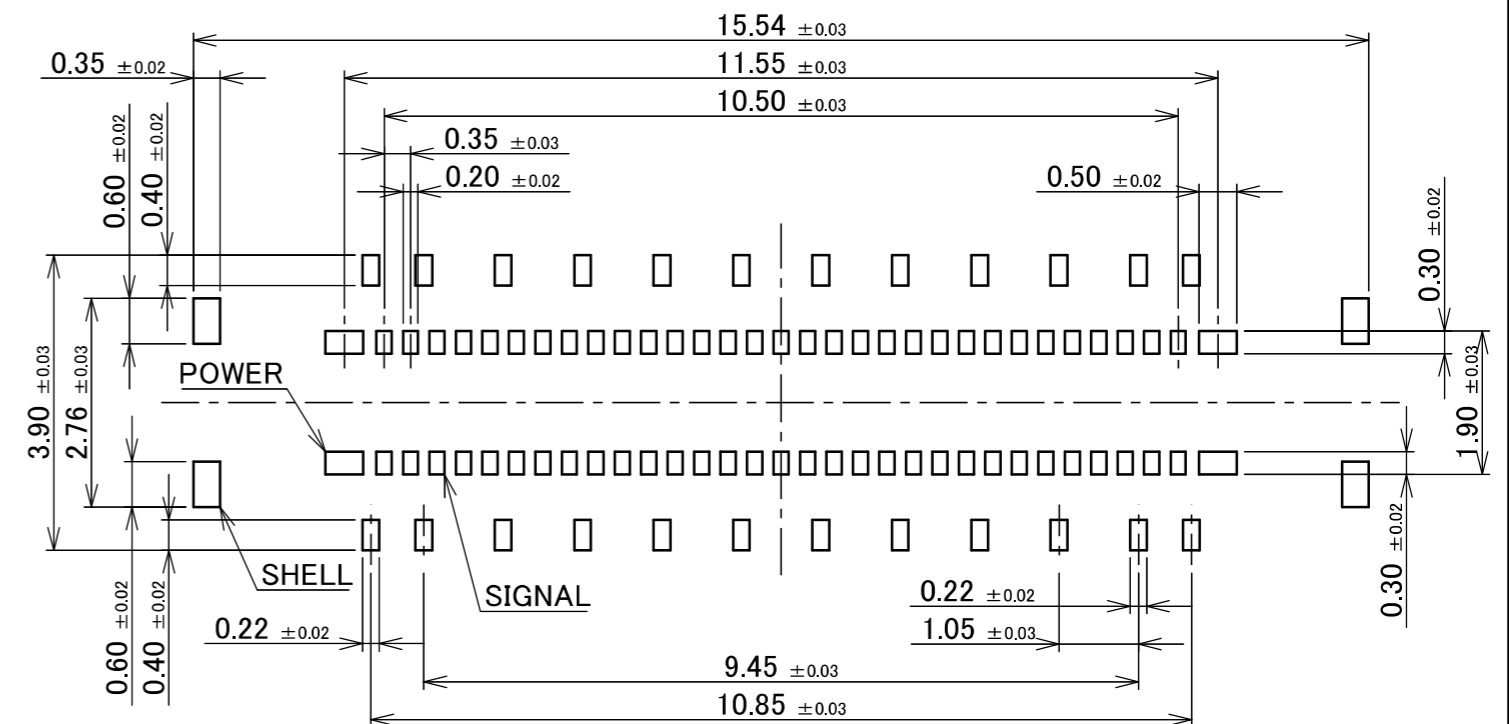
RECOMMENDED PATTERN & METAL MASK LAYOUT (56P)
THICKNESS : t=0.10 mm

ANGLE	±2°	6 OVER 30 MAX.	±0.3	PROJECTION ⊕	SERIES No. R0	CUSTOMER COPY			
	6 MAX.	±0.2	30 OVER 120 MAX.						±0.5
GENERAL TOLERANCE.				TITLE		SCALE	I-PEX		
DWG.	DATE			NOVASTACK® 35-HDP 12 PLUG ASSEMBLY		10:1			
CHK.						UNIT			
APP.						mm			
				DWG. No.	21150	SIZE	SHEET	REV.	
						A3	4/7	0	

PART No.	SIGNAL POS.	POWER POS.	A
21150-022E-01	22P	4P	8.74
21150-056E-01	56P	4P	14.69
21150-062E-01	62P	4P	15.74



RECOMMENDED PATTERN LAYOUT (62P)

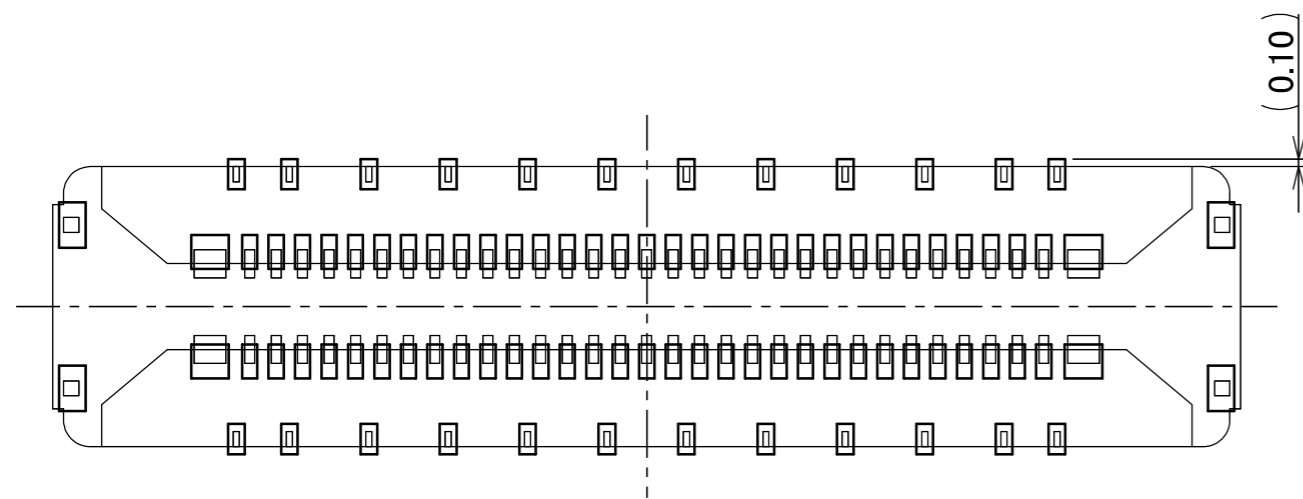


RECOMMENDED METAL MASK LAYOUT (62P)

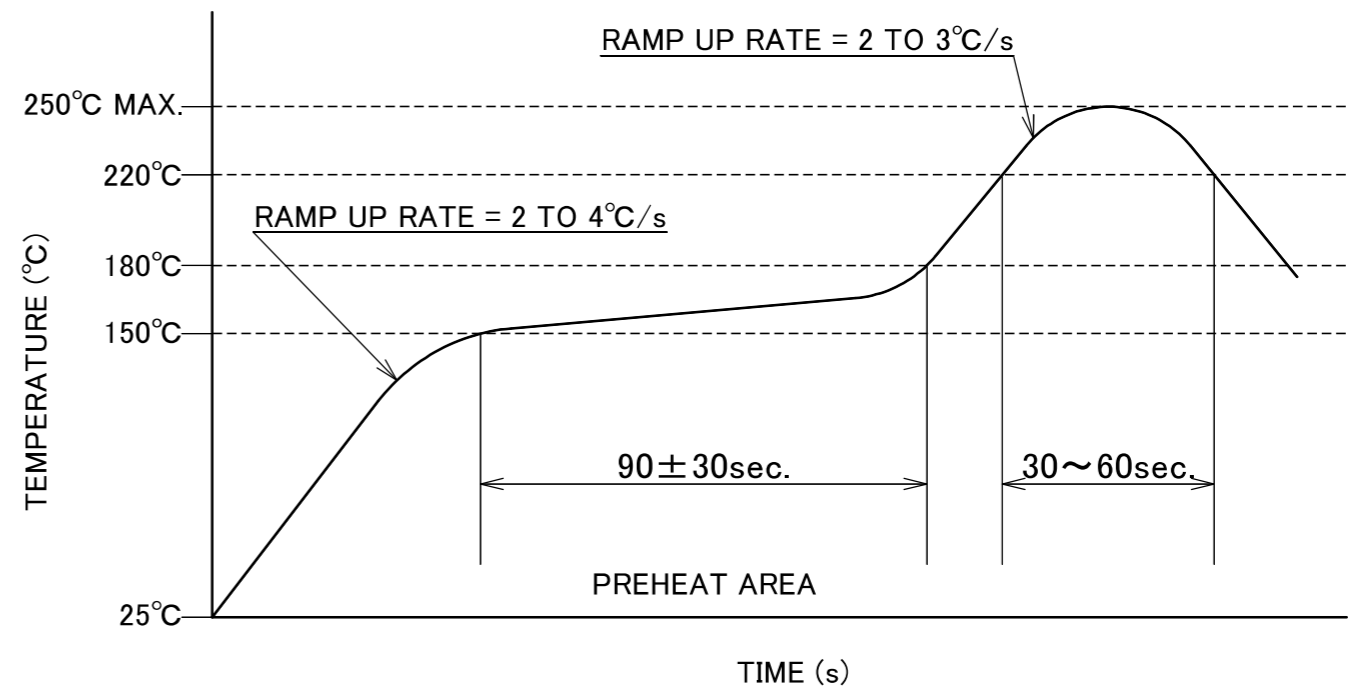
THICKNESS : t=0.10 mm

NOTES.
1. THIS AREA CANNOT MOUNT ANOTHER COMPONENTS.

ANGLE	±2°	6 OVER 30 MAX.	±0.3	PROJECTION ⊕	SERIES No. R0	CUSTOMER COPY			
	6 MAX.	±0.2	30 OVER 120 MAX.						±0.5
GENERAL TOLERANCE.				TITLE		SCALE	I-PEX		
DWG.	DATE			NOVASTACK® 35-HDP 12 PLUG ASSEMBLY		10:1			
CHK.						UNIT			
APP.						mm			
				DWG. No.	21150	SIZE	SHEET	REV.	
						A3	5/7	0	



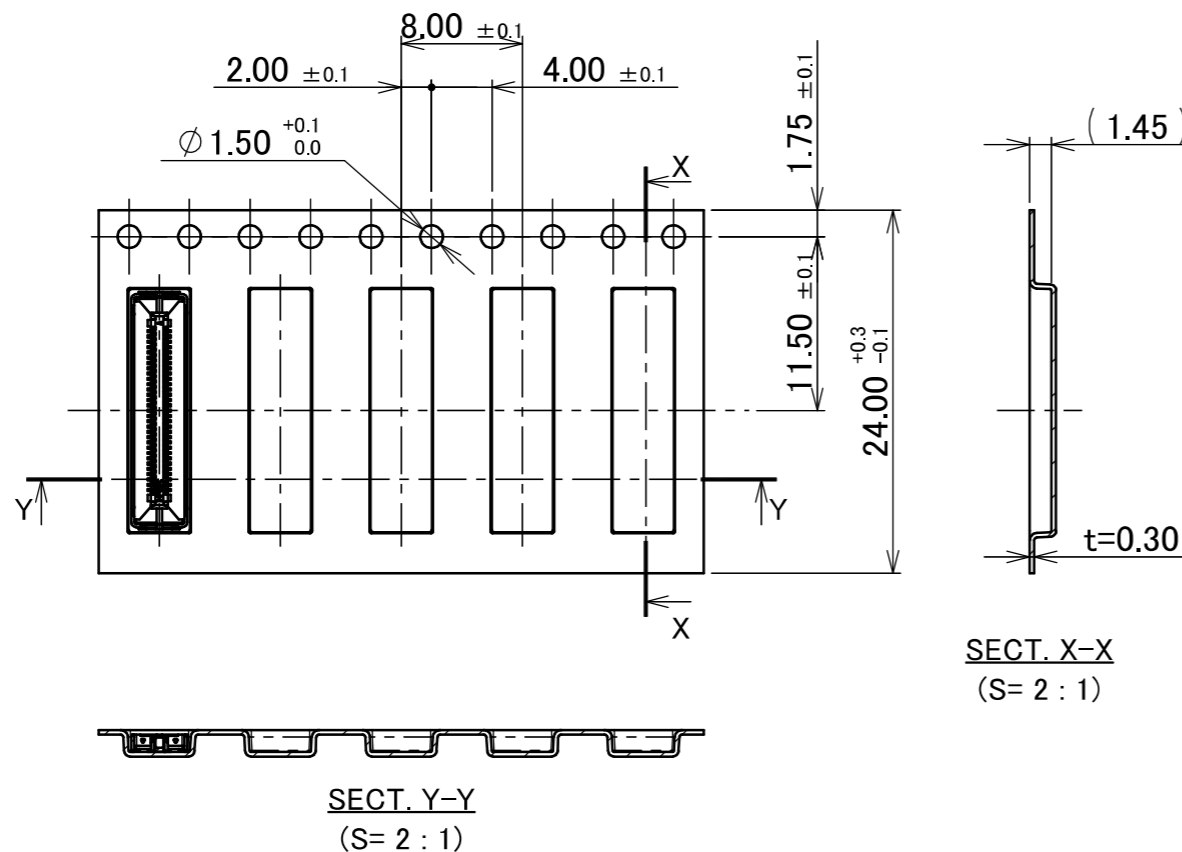
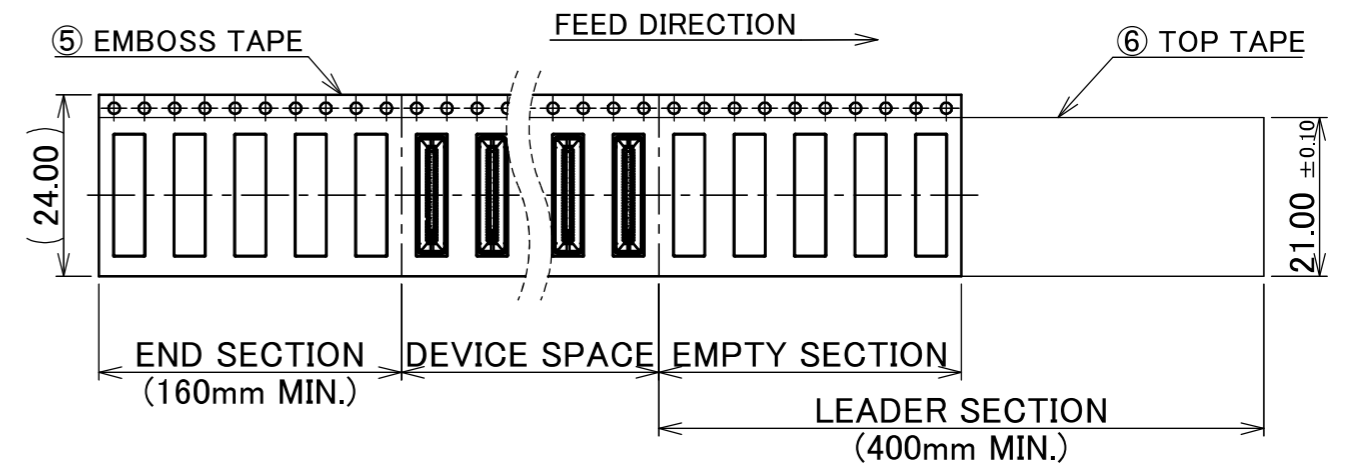
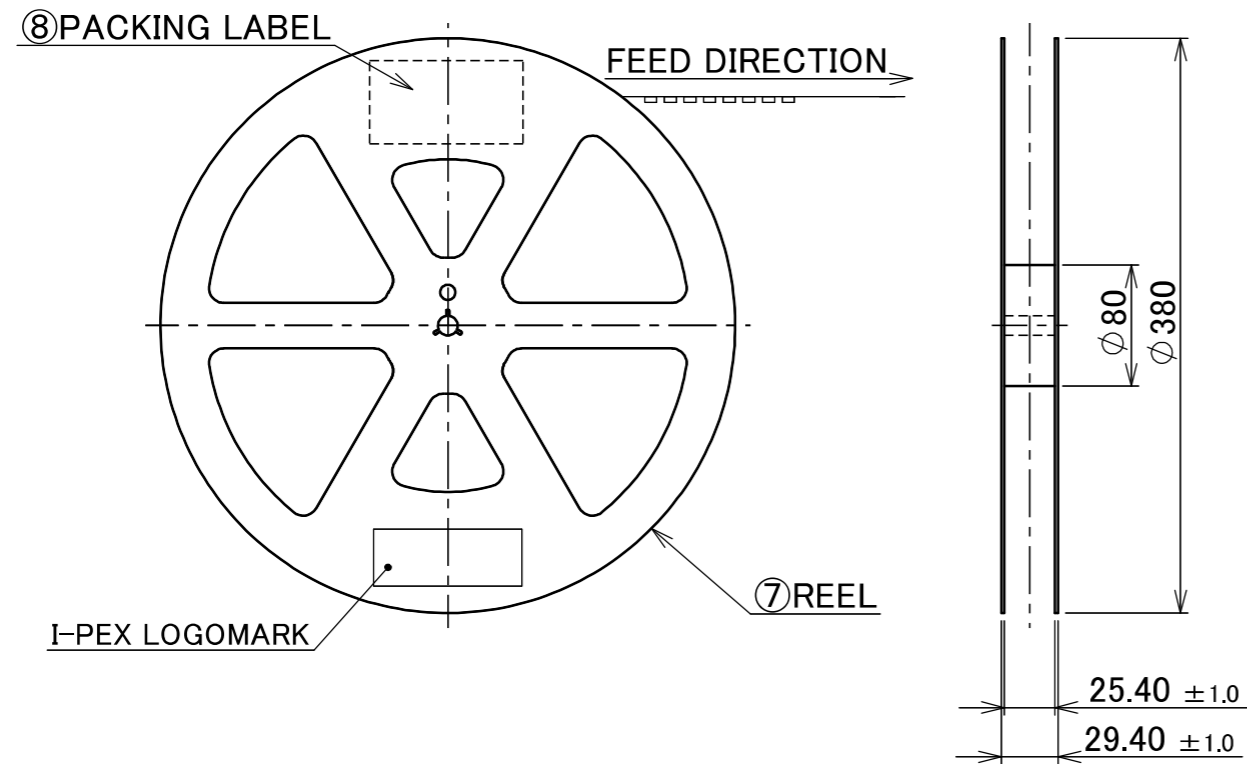
CONNECTOR ON RECOMMENDED FOOTPRINT PATTERN



REFLOW TEMPERATURE PROFILE
 SENJU METAL INDUSTRY CO., LTD. : M705-SHF(Sn96.5 Ag3.0 Cu0.5)

ANGLE	±2°	6 OVER 30 MAX.	±0.3	PROJECTION 	SERIES No. R0	CUSTOMER COPY		
6 MAX.	±0.2	30 OVER 120 MAX.	±0.5					
GENERAL TOLERANCE.				TITLE NOVASTACK® 35-HDP 12 PLUG ASSEMBLY	SCALE 10:1			
DWG.	DATE							
CHK.								
APP.								
				DWG. No.	21150	SIZE	SHEET	REV.
						A3	6/7	0

PART NO.	Pos.	QTY. PER EMBOSS REEL (PIECES / REEL)	QTY. PER PACKING CARTON
21150-022E-01	22P	6,500 / REEL	6,500 × 5 REELS = 32,500
21150-056E-01	56P		
21150-062E-01	62P		



NOTES.

- TAPING SPECIFICATION FOLLOWS JIS C 0806 (IEC 60286-3).
- EMPTY SECTION OF LEADER AND END ON EACH END OF THE TAPE FOLLOW JIS C 0806 (IEC 60286-3).
- TOP TAPE SHALL NOT STICK OUT FROM EMBOSS TAPE.
- TOP TAPE SHALL NOT COVER FEED HOLE.

NO.	DESCRIPTION	MATERIAL	FINISH, REMARKS
8	PACKING LABEL	-	-
7	REEL	PS	ANTI-STATIC TYPE BLACK
6	TOP TAPE	PET TRANSPARENCY	ANTI-STATIC TYPE
5	EMBOSS TAPE	PS TRANSPARENCY	ANTI-STATIC TYPE

NO.	DESCRIPTION	MATERIAL	FINISH, REMARKS
ANGLE	±2°	6 OVER 30 MAX.	±0.3
6 MAX.	±0.2	30 OVER 120 MAX.	±0.5

PROJECTION	SERIES No.	CUSTOMER COPY
	R0	CUSTOMER COPY

GENERAL TOLERANCE.	TITLE	SCALE
DWG. DATE	NOVASTACK® 35-HDP 12 PLUG ASSEMBLY	5:1
CHK.		UNIT
APP.	DWG. No. 21150	mm
		SIZE
		A3
		SHEET
		7/7
		REV.
		0