

Recommended P/N 21003-0\*\*E

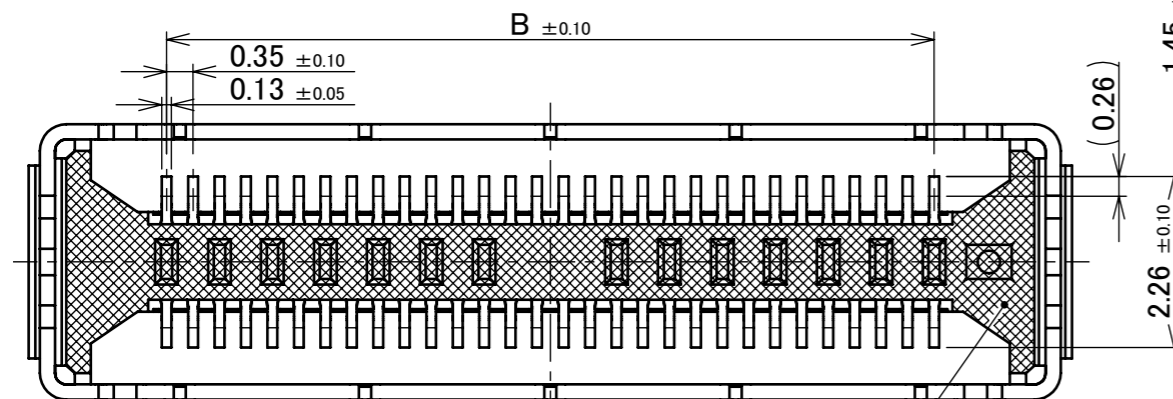
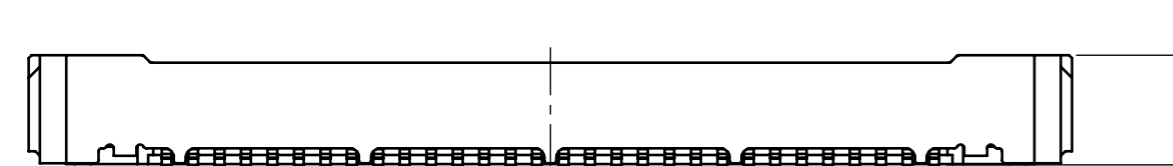
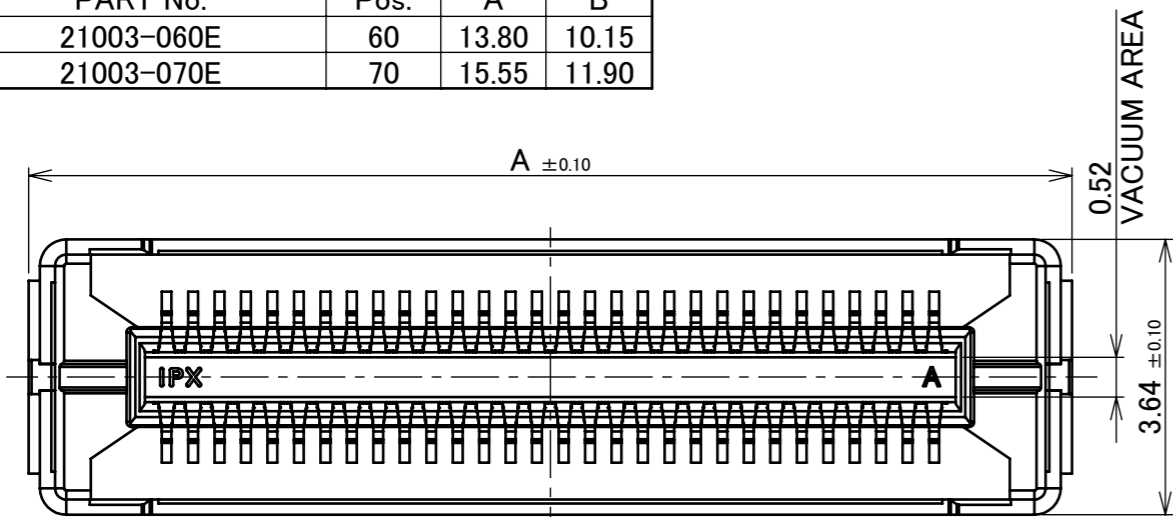
PART No.	Pos.	A	B
21003-060E	60	13.80	10.15
21003-070E	70	15.55	11.90



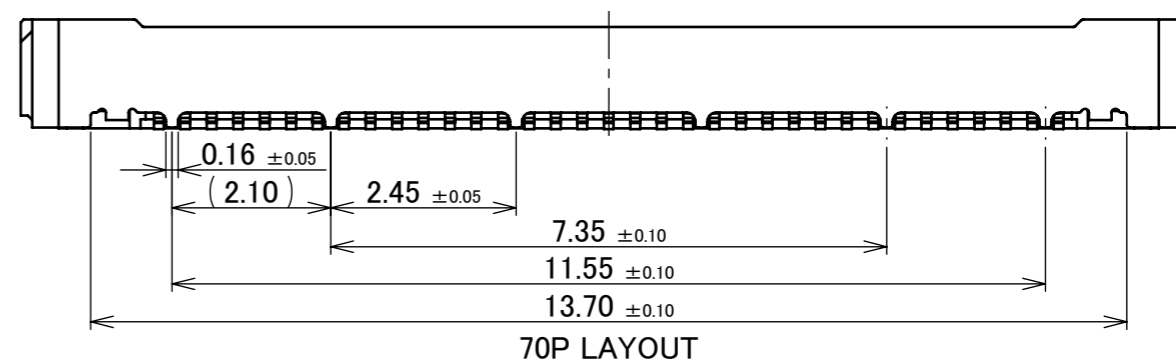
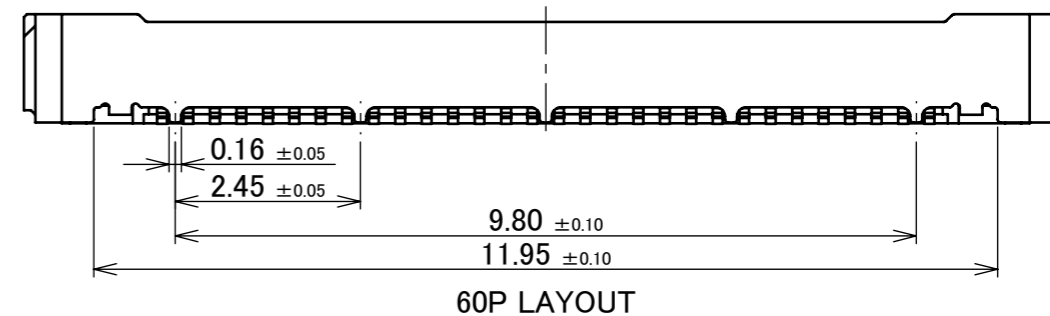
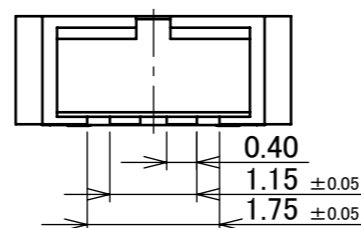
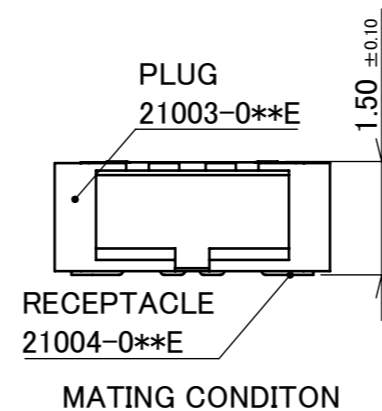
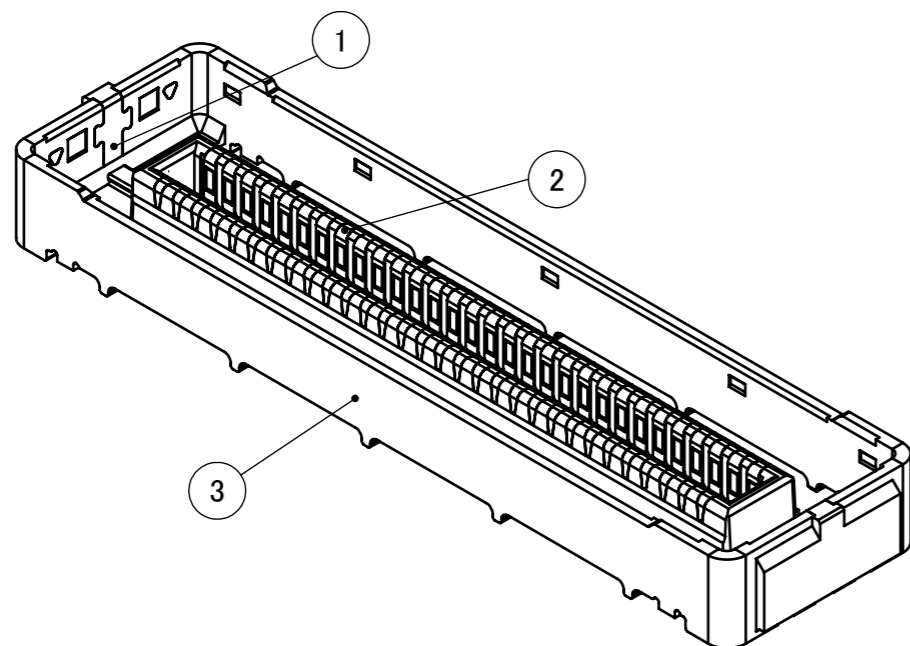
Halogen Free



RoHS Compliant



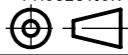
THERE IS A POSSIBILITY OF DENT SHAPE IN THE BOTTOM SURFACE OF HOUSING.



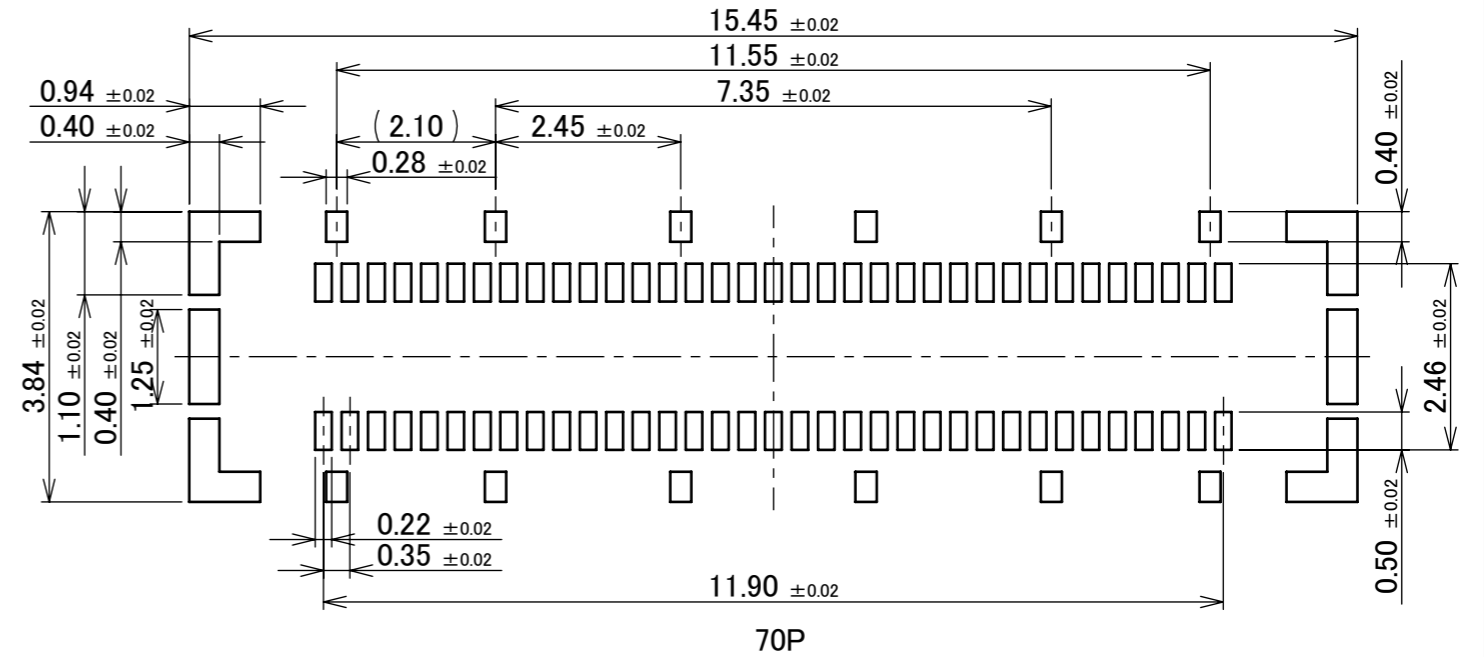
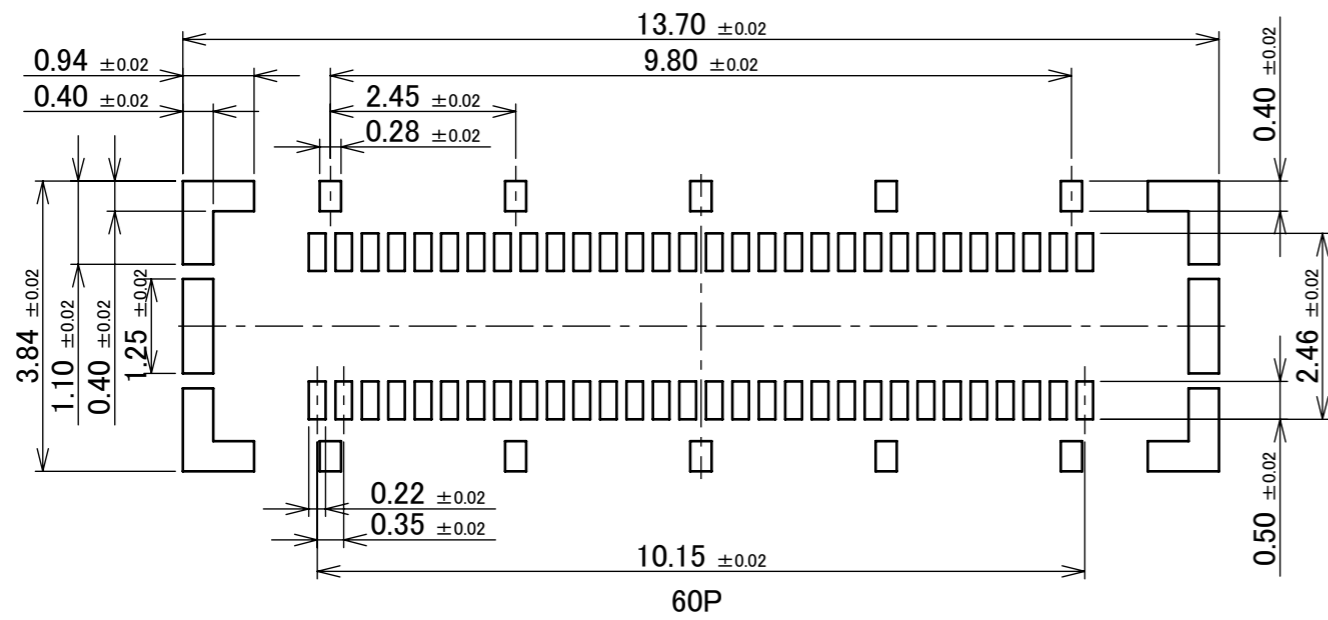
3	SHELL	CORSON ALLOY	ALL Au 0.01 μm MIN. OVER Ni 1.27 μm MIN.
2	CONTACT	CORSON ALLOY	CONTACT AREA: Au 0.13 μm MIN. OVER Ni 1.27 μm MIN. SOLDERING AREA: Au 0.02 μm MIN. OVER Ni 1.27 μm MIN.
1	HOUSING	LCP	UL94V-0 BLACK
NO.	DESCRIPTION	MATERIAL	FINISH , REMARKS

REV.	ECN	BY	DATE	APP.	DESCRIPTION	APPROVAL	DATE	DESCRIPTION	DATE	DESCRIPTION	DATE
2	Z240582	Y.B	2024/05/14	S.S	DWG.	M.Hidaka	2022/07/06	DATE	2022/07/06	DATE	2022/07/06
1	Z230807	Y.B	2023/07/12	Y.H	CHK.	S.Suzuki		CHK.		CHK.	
0	Z220773	M.H	2022/07/06		APP.	Y.Hashimoto		APP.		APP.	

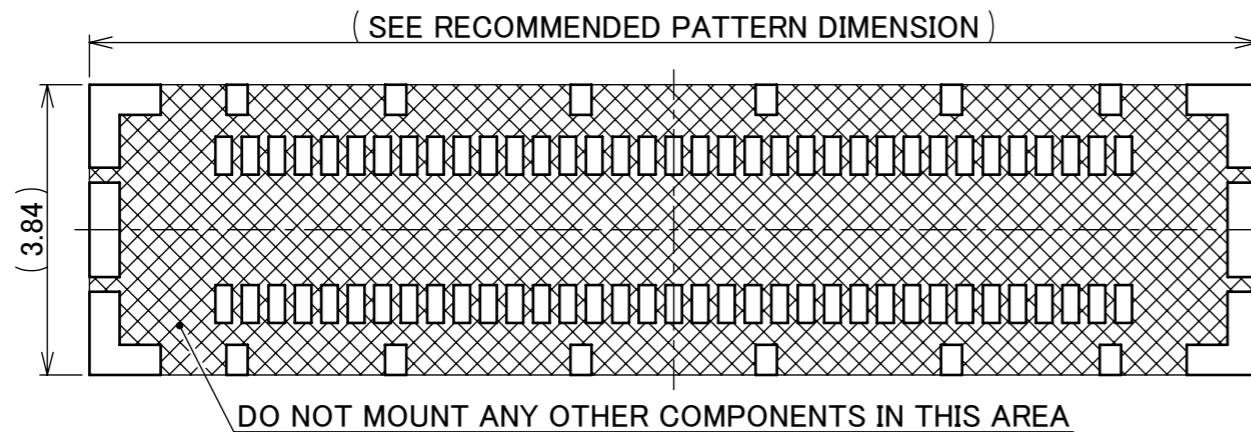
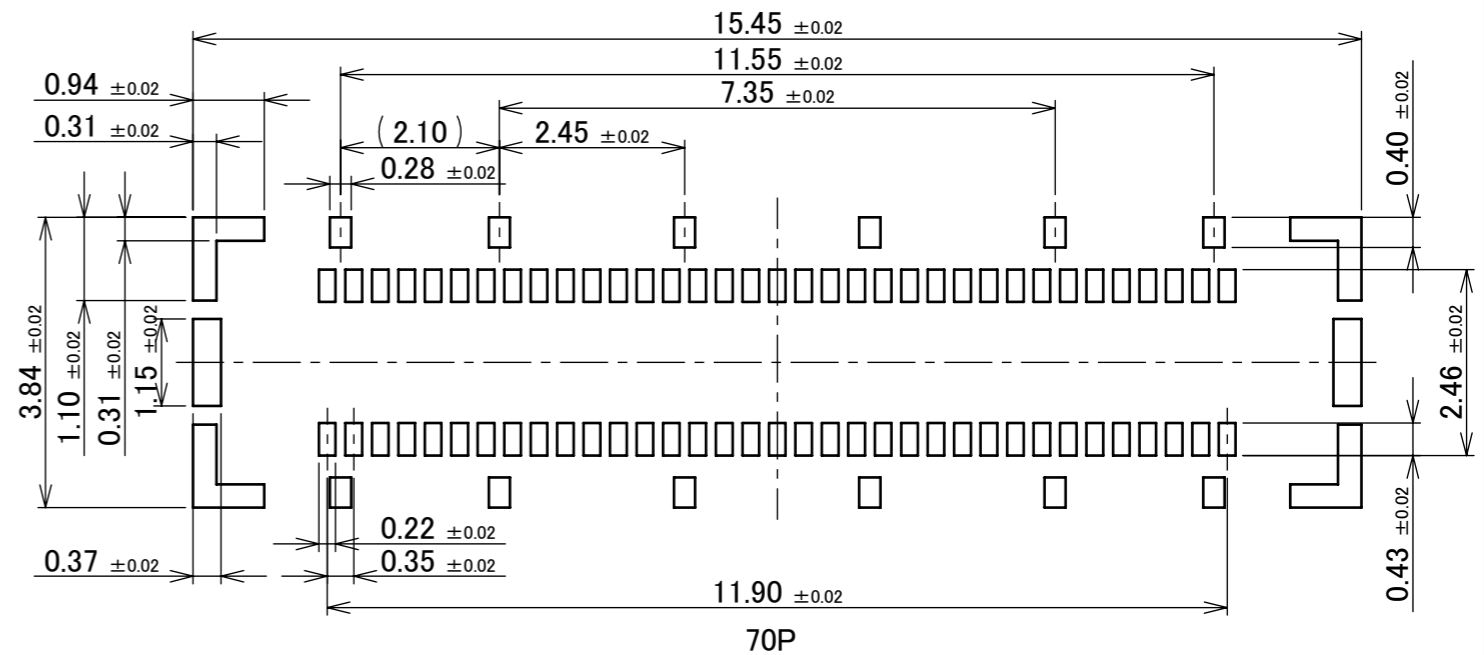
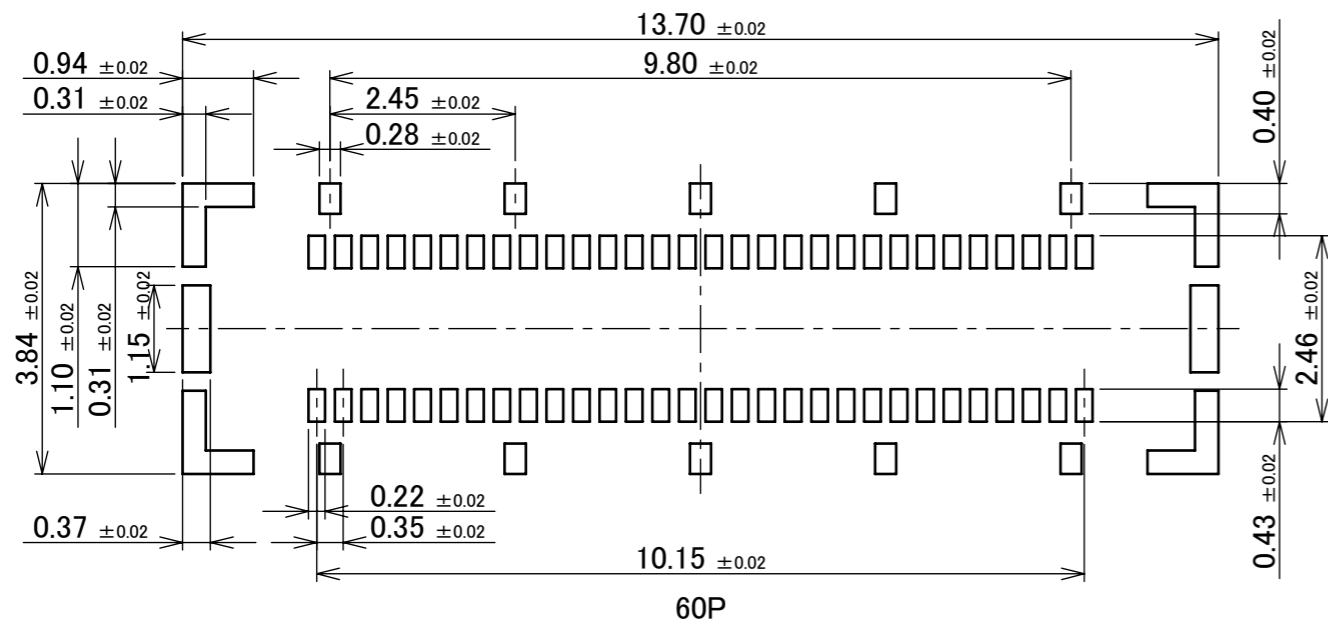
ITEMS	SPECIFICATION
APPLICABLE CONNECTOR PART No.	21004-0**E
RATING VOLTAGE	60V AC (R.M.S.)/DC (PER CONTACT PIN)
RATING AMPERAGE (FOR SIGNAL CONTACT)	0.5A AC/DC (PER CONTACT PIN)/ 12.0A AC/DC(TOTAL)
OPERATING TEMPERATURE	233~358K(-40°C~+85°C) (CONTANING TEMPERATURE RISE BY CURRENT)
OPERATING HUMIDITY	85% MAX.
CONTACT RESISTANCE (FOR SIGNAL CONTACT)	INITIAL : 50mohm MAX. / AFTER TEST : $\Delta$ 50mohm MAX.
CONTACT RESISTANCE (FOR GROUND)	INITIAL : 20mohm MAX. / AFTER TEST : $\Delta$ 20mohm MAX.
INSULATION RESISTANCE	INITIAL : 1000Mohm MIN. / AFTER TEST : 500Mohm MIN.
DIELECTRIC WITHSTANDING VOLTAGE	AC250V 1min
DURABILITY	20 CYCLES
MATING FORCE (INITIAL / AFTER TEST)	INITIAL 60P: 60N MAX. 70P: 70N MAX.
UNMATING FORCE (INITIAL / AFTER TEST)	20 CYCLES 60P: 6.0N MIN. 70P: 7.0N MIN.
COPLANARITY	0.10mm MAX.
PRODUCT SPECIFICATION	PRS-2785
TEST REPORT	TR-22021
PACKING STANDARD	PST-21086
INSTRUCTION MANUAL	HIM-21015
APPEARANCE CRITERIA No.	QLS-A***

ANGLE	$\pm 2^\circ$	6 OVER 30 MAX.	$\pm 0.3$	PROJECTION 	SERIES No. R4	CUSTOMER COPY		
6 MAX.	$\pm 0.2$	30 OVER 120 MAX.	$\pm 0.5$					
GENERAL TOLERANCE.				TITLE NOVASTACK® 35-HDH PLUG ASSEMBLY	SCALE	<b>I-PEX</b>		
DWG.	DATE							
CHK.								
APP.								
				DWG. No.	21003	SIZE A3	SHEET 2/5	REV. 2

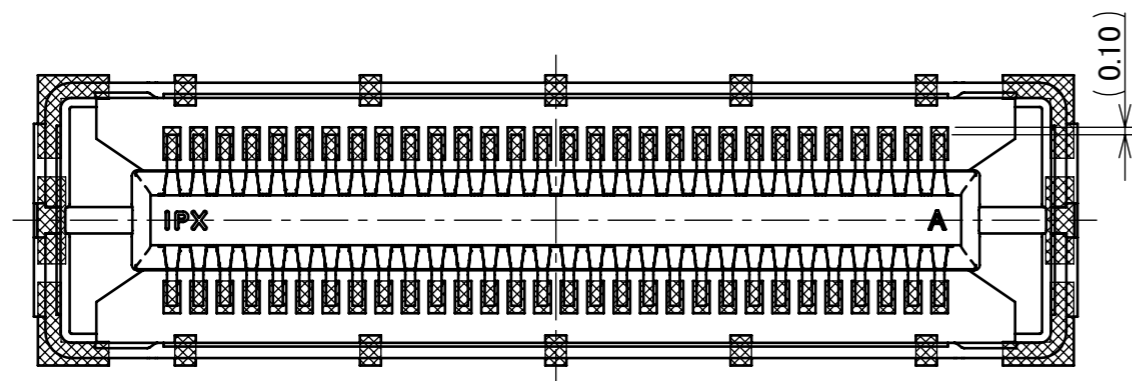
### RECOMMENDED PATTERN LAYOUT



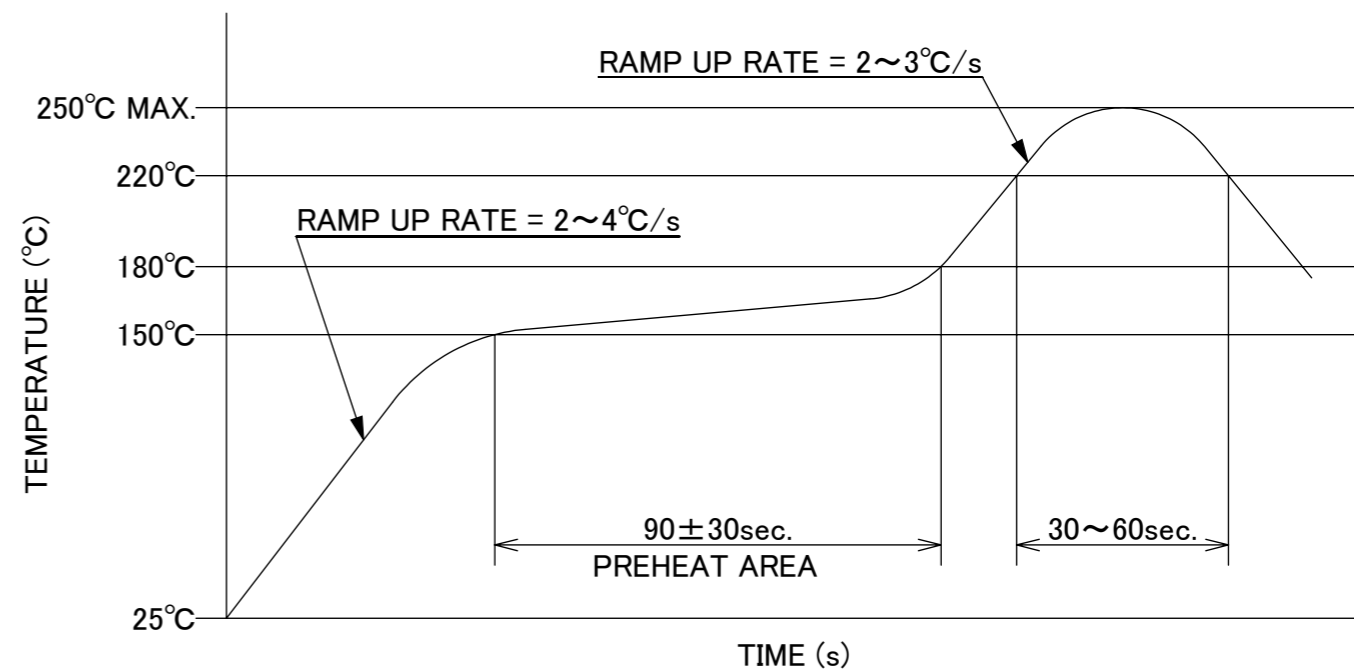
### RECOMMENDED METAL MASK LAYOUT (t=0.10)



ANGLE	±2°	6 OVER 30 MAX.	±0.3	PROJECTION ⊕	SERIES No. R4	CUSTOMER COPY		
	6 MAX.	±0.2	30 OVER 120 MAX.					±0.5
GENERAL TOLERANCE.				TITLE		SCALE	<b>I-PEX</b>	
DWG.	DATE			NOVASTACK® 35-HDH PLUG ASSEMBLY		10:1		
CHK.						UNIT mm		
APP.				DWG. No.	21003	SIZE A3	SHEET 3/5	REV. 2



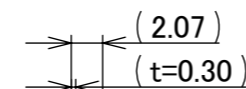
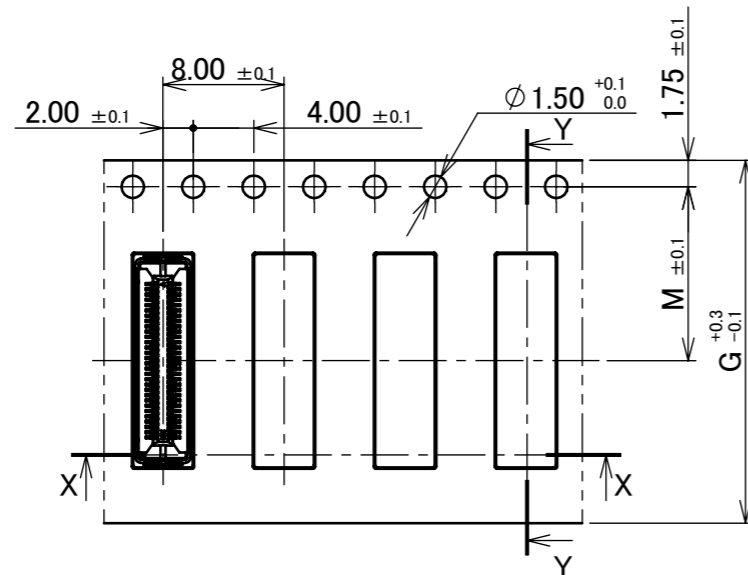
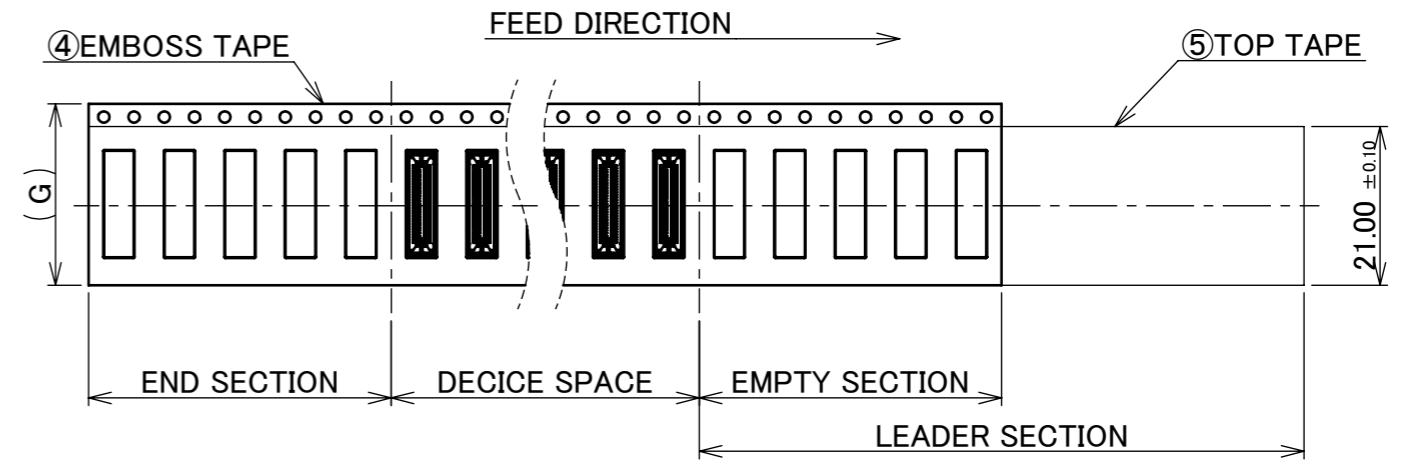
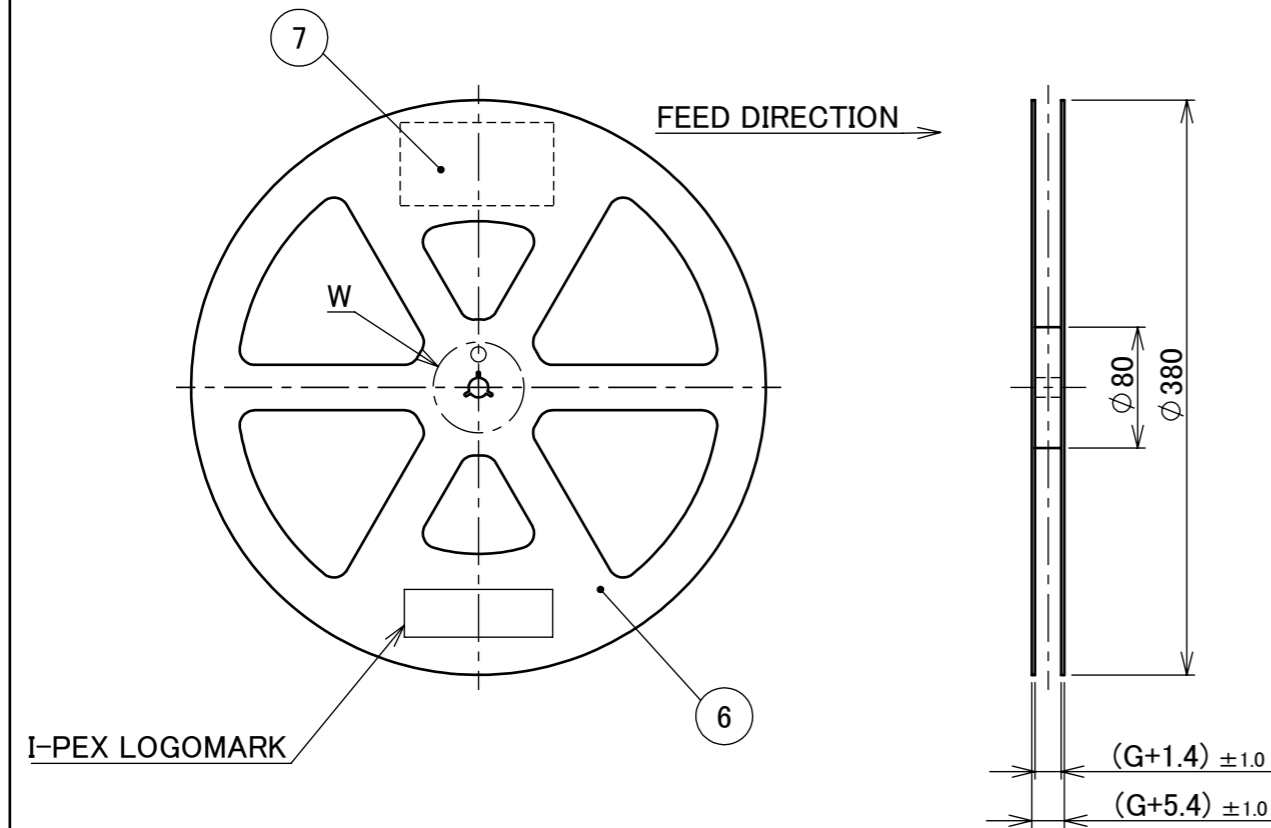
CONNECTOR ON RECOMMENDED FOOT PRINT PATTERN LAYOUT



REFLOW TEMPERATURE PROFILE  
 SENJU METAL INDUSTRY CO., LTD. : M705-SHF(Sn96.5 Ag3.0 Cu0.5)

ANGLE	±2°	6 OVER 30 MAX.	±0.3	PROJECTION 	SERIES No. R4	CUSTOMER COPY			
6 MAX.	±0.2	30 OVER 120 MAX.	±0.5			SCALE 10:1	<b>I-PEX</b>		
GENERAL TOLERANCE.				TITLE NOVASTACK® 35-HDH PLUG ASSEMBLY		UNIT mm			
DWG.	DATE			DWG. No. 21003		SIZE A3	SHEET 4/5	REV. 2	
CHK.									
APP.									

PART No.	Pos.	G	M	QTY. PER EMBOSS REEL (PIECES / REEL)	QTY. PER PACKING CARTON (REELS / CARTON)
21003-060E	60P	24.0	11.50	5,000 / REEL	5000 × 5 REELS = 25,000
21003-070E	70P				



SECT. Y-Y  
S= 2 : 1



SECT. X-X  
S= 2 : 1

NOTES.

- TAPING SPECIFICATION FOLLOWS JIS C 0806 (IEC 60286-3).
- MAKE EMPTY SECTION OF LEADER AND END ON EACH END OF THE TAPE.
- TOP TAPE SHALL NOT STICK OUT FROM EMBOSS TAPE.
- TOP TAPE SHALL NOT COVER FEED HOLE.

NO.	DESCRIPTION	MATERIAL	FINISH , REMARKS
7	PACKING LABEL	-	-
6	REEL	PS	ANTI-STATIC TYPE BLACK
5	TOP TAPE	PET t=0.062 TRANSPARENCY	ANTI-STATIC TYPE
4	EMBOSS TAPE	PS t=0.3 TRANSPARENCY	ANTI-STATIC TYPE

ANGLE	±2°	6 OVER 30 MAX.	±0.3	PROJECTION	SERIES No.	CUSTOMER COPY			
6 MAX.	±0.2	30 OVER 120 MAX.	±0.5		R4				
GENERAL TOLERANCE.				TITLE	NOVASTACK® 35-HDH PLUG ASSEMBLY		SCALE	1:X	
DWG.	DATE					UNIT	mm		
CHK.						SIZE	SHEET	REV.	
APP.				DWG. No.	21003	A3	5/5	2	