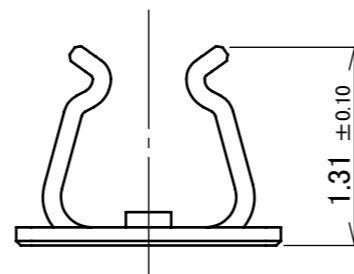
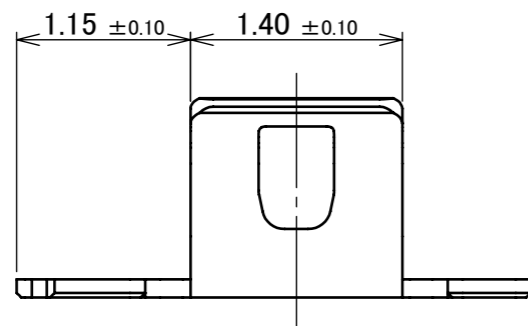
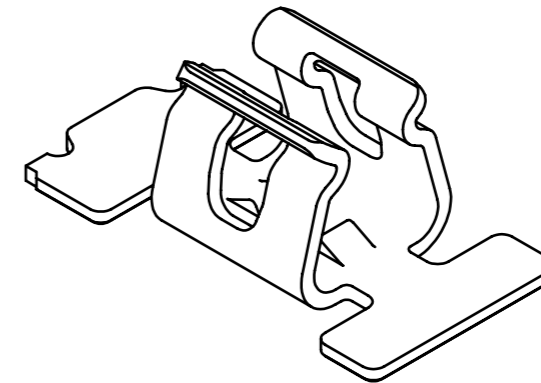
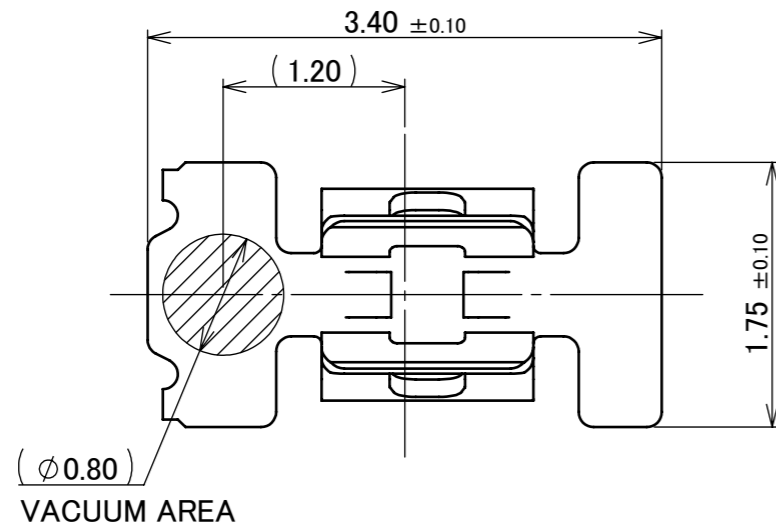


PART NO.

3182-0001

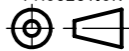


NOTE.
1. RECOMMENDED VACUUME NOZZLE SIZE : φ0.5

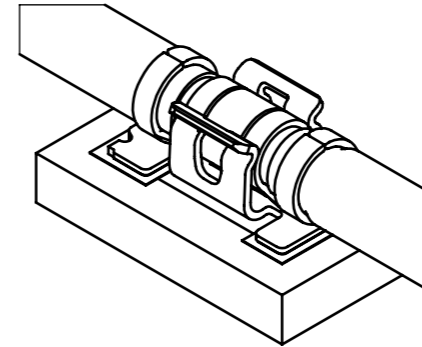
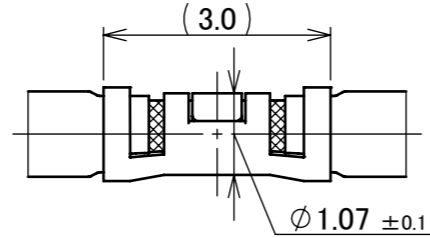
1	MP-A02	PHOSPHOR BRONZE	CONTACT PART Sn 2.00 μm MIN. OVER Ni 1.00 μm MIN. SOLDERING PART Sn 1.00 μm MIN.OVER Ni 0.50 μm MIN.
NO.	DESCRIPTION	MATERIAL	FINISH , REMARKS

					ANGLE	±2°	6 OVER 30 MAX.	±0.3	PROJECTION	SERIES No.	CUSTOMER COPY		
					6 MAX.	±0.2	30 OVER 120 MAX.	±0.5		R0			
3	Z211214	H.T	2021/10/05	M.T	GENERAL TOLERANCE.				TITLE MP-A 02	SCALE	I-PEX		
2	Z180773	S.K	2018/09/20	Ken	DWG.	DATE				20:1			
1	Z150503	S.S	2015/05/11	Tom	S.Suzuki			2015/02/25		UNIT			
0	Z150213	S.S	2015/02/25		CHK.	K.Yotsutani				mm			
REV.	ECN	BY	DATE	APP.	APP.	T.Takano			DWG. No.	3182	SIZE	SHEET	REV.
REVISION RECORD											A3	1/5	3

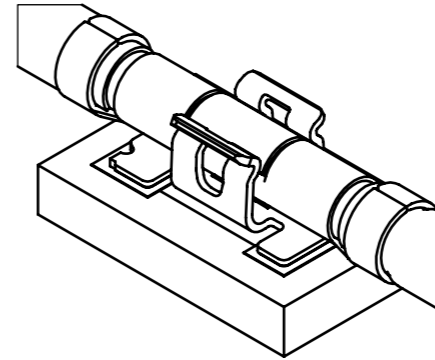
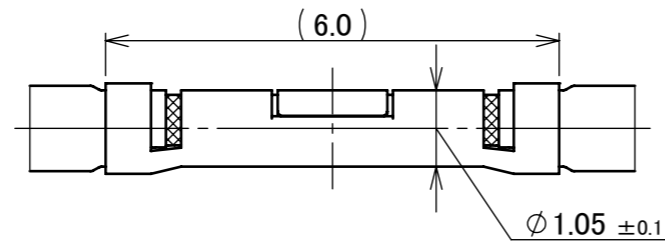
ITEMS	SPECIFICATION
APPLICABLE CONNECTOR PART No.	<ul style="list-style-type: none"> • CABLE CLAMP (3mm) FOR Φ 1.13 COAXIAL CABLE (P/N: 2912-030*) • CABLE CLAMP (6mm) FOR Φ 1.13 COAXIAL CABLE (P/N: 2912-060*) • CABLE JACKET (OUTSIDE DIAMETER Φ 1.13 +0.08/-0.05) OF Φ 1.13 COAXIAL CABLE (*1) *1...RF-MF50161 (NISSEI ELECTRIC CO., LTD.)
OPERATING TEMPERATURE	233~358K(-40°C~+85°C)
OPERATING HUMIDITY	85% MAX.(NON-CONDENSING)
CONTACT RESISTANCE	INITIAL : 70mohm MAX. / AFTER TEST : 70mohm MAX.
DURABILITY	5 CYCLES
MATING FORCE (INITIAL / AFTER TEST)	INITIAL : 25N MAX. / AFTER TEST : 25N MAX.
UNMATING FORCE (INITIAL / AFTER TEST)	INITIAL : 2N MIN. / AFTER TEST : 1N MIN.
PRODUCT SPECIFICATION	PRS-2082
TEST REPORT	TR-15034
PACKING STANDARD	PST-15054
INSTRUCTION MANUAL	HIM-15008
APPEARANCE CRITERIA No.	QLS-A***

ANGLE	$\pm 2^\circ$	6 OVER 30 MAX.	± 0.3	PROJECTION 	SERIES No. R0	CUSTOMER COPY		
6 MAX.	± 0.2	30 OVER 120 MAX.	± 0.5					
GENERAL TOLERANCE.				TITLE MP-A 02	SCALE 5:1	I-PEX		
DWG.	DATE							
CHK.								
APP.								
				DWG. No.	3182	SIZE A3	SHEET 2/5	REV. 3

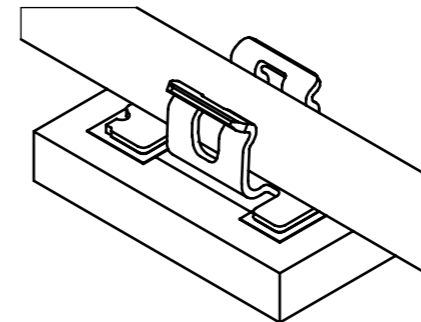
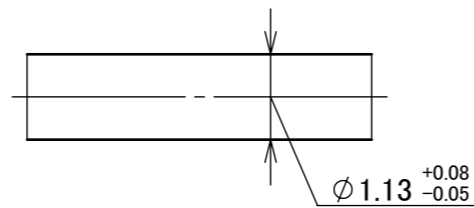
① Φ 1.13 COAXIAL CABLE WITH 3mm CABLE CLAMP (P/N : 2912-0302)



② Φ 1.13 COAXIAL CABLE WITH 6mm CABLE CLAMP (P/N : 2912-0602)



③ Φ 1.13 COAXIAL CABLE

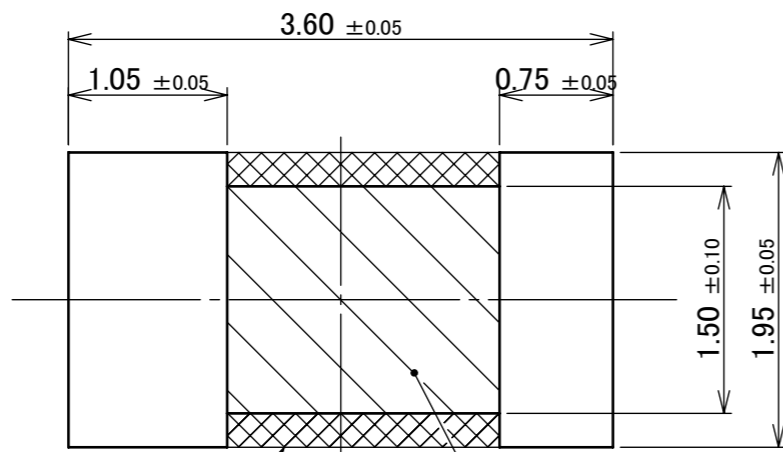


APPLICABLE CABLE

MATING CONDITION

NOTE.
2. ONLY A SIMILAR CABLE IS REPLACEABLE.

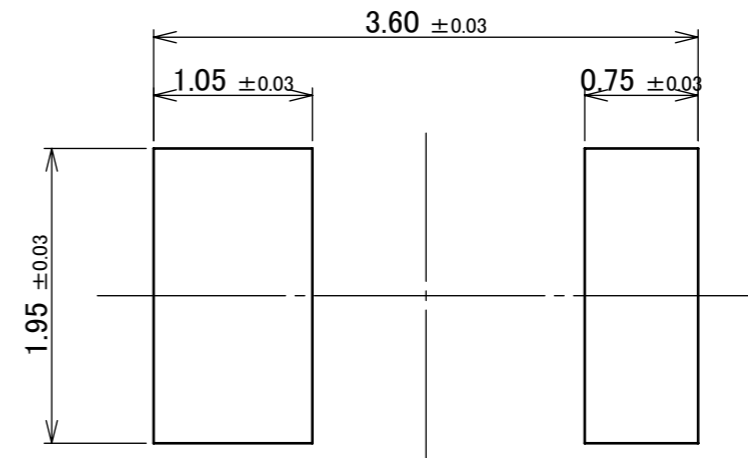
ANGLE	$\pm 2^\circ$	6 OVER 30 MAX.	± 0.3	PROJECTION 	SERIES No. R0	CUSTOMER COPY		
6 MAX.	± 0.2	30 OVER 120 MAX.	± 0.5					
GENERAL TOLERANCE.				TITLE MP-A 02	SCALE 10:1	I-PEX		
DWG.	DATE							
CHK.								
APP.								
				DWG. No.	3182	SIZE A3	SHEET 3/5	REV. 3



SEE NOTE. 4

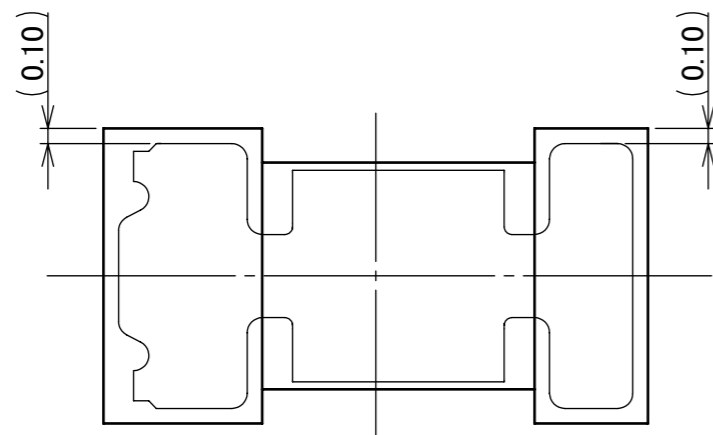
SEE NOTE. 3

RECOMMENDED FOOTPRINT PATTERN

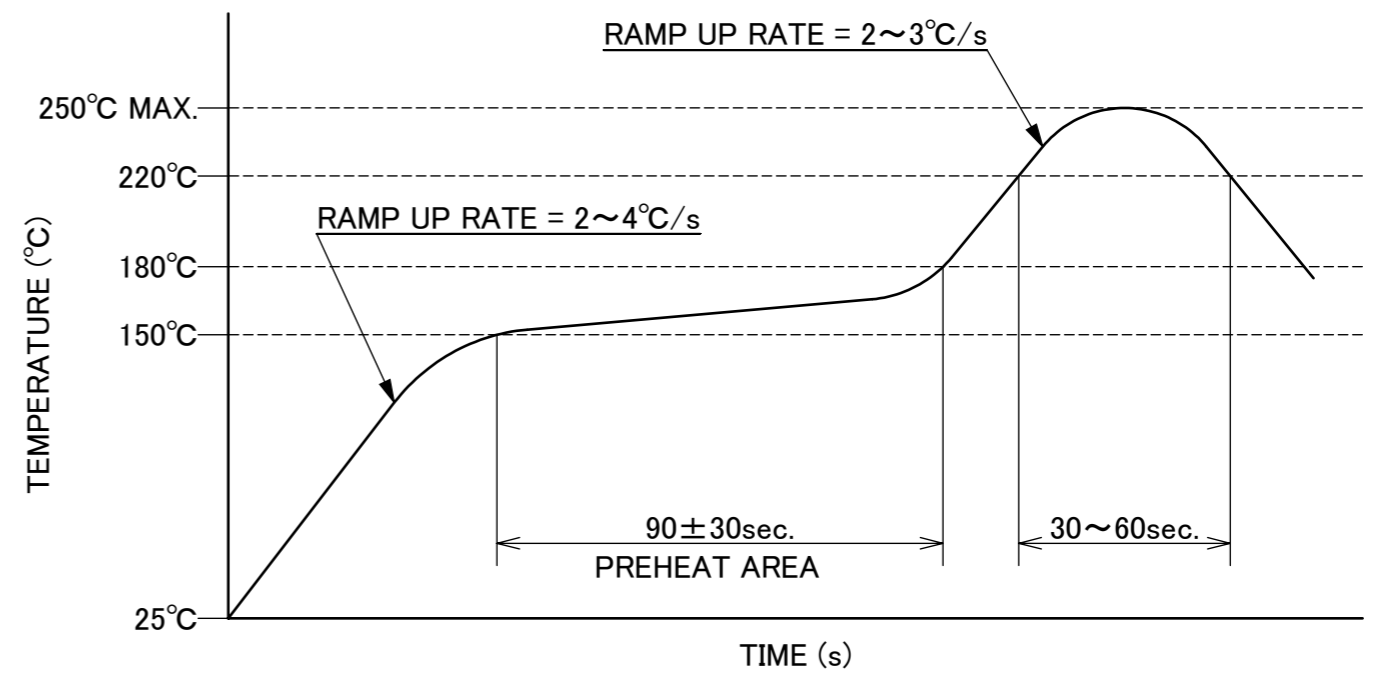


THICKNESS: 0.10mm

METAL MASK



CONNECTOR ON RECOMMENDED FOOTPRINT PATTERN

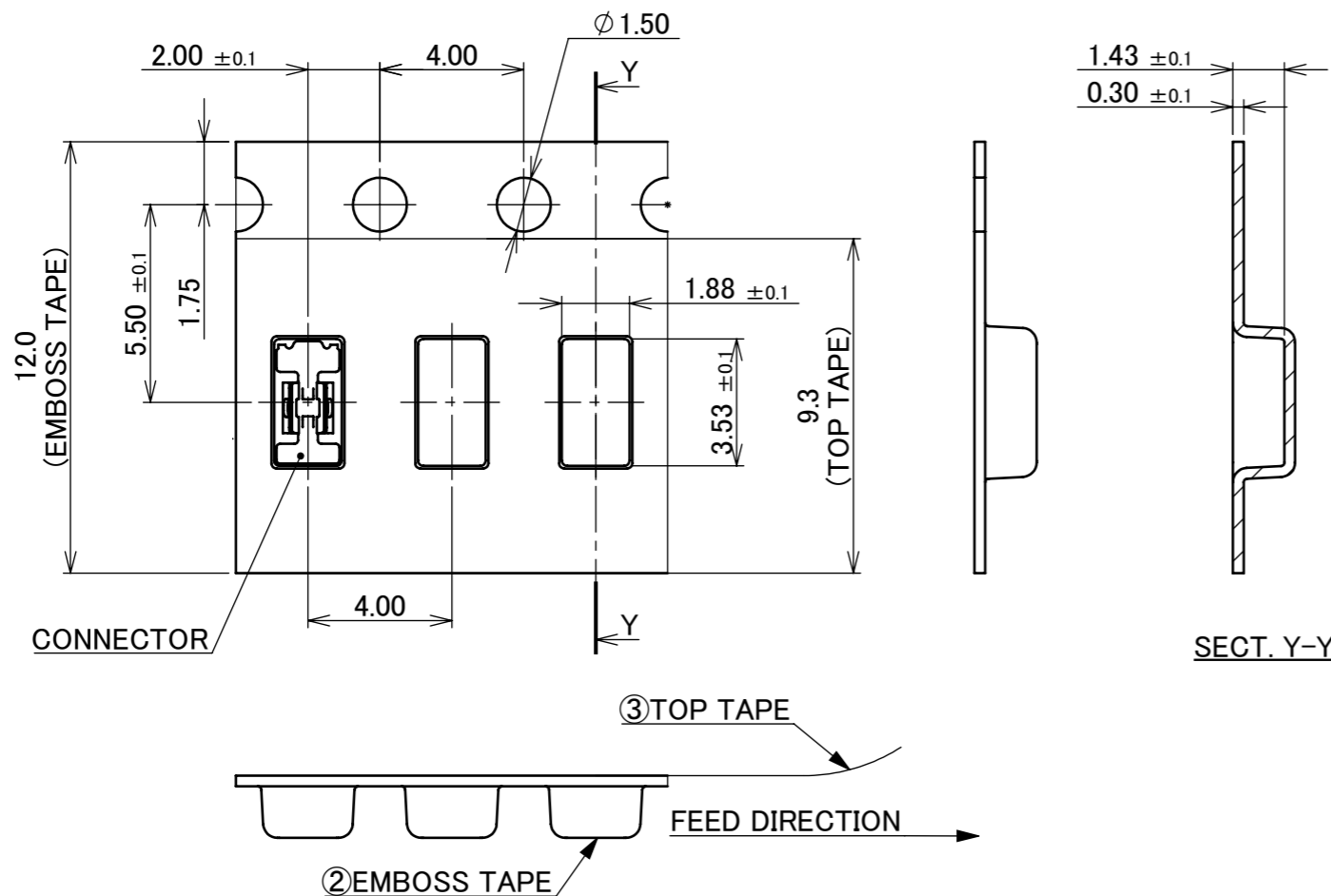
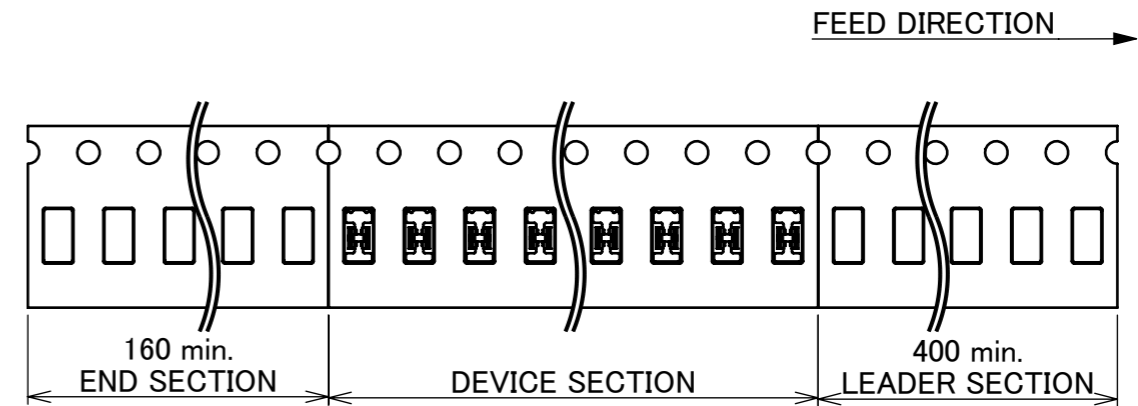
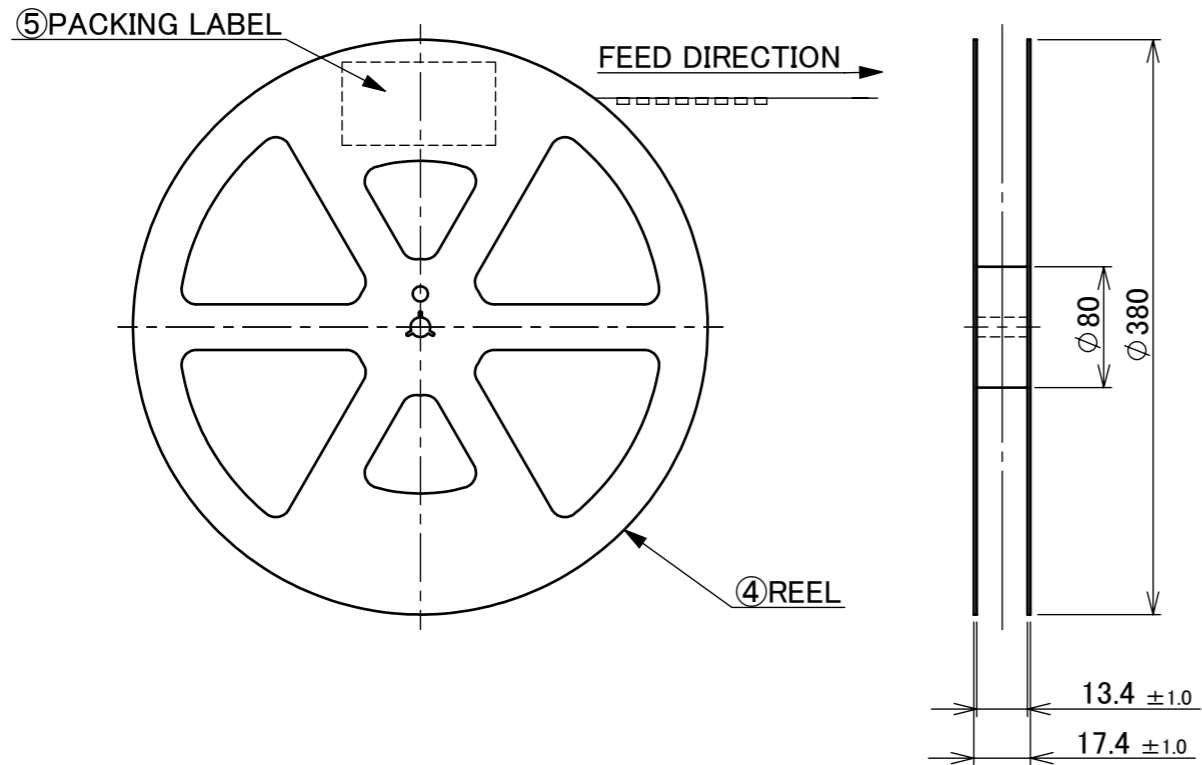


REFLOW TEMPERATURE PROFILE
 SENJU METAL INDUSTRY CO., LTD. : M705-SHF(Sn96.5 Ag3.0 Cu0.5)

- NOTES.
 3. PATTERN AND RESIST PROHIBITION AREA.
 4. THIS AREA CANNOT MOUNT ANOTHER COMPONENTS.

ANGLE	±2°	6 OVER 30 MAX.	±0.3	PROJECTION ⊕	SERIES No. R0	CUSTOMER COPY			
6 MAX.	±0.2	30 OVER 120 MAX.	±0.5						
GENERAL TOLERANCE.				TITLE		SCALE	I-PEX		
DWG.	DATE			MP-A 02		20:1			
CHK.						UNIT			
APP.						mm			
				DWG. No.	3182	SIZE	SHEET	REV.	
						A3	4/5	3	

PART NO.	QTY. PER EMBOSS REEL (PIECES / REEL)	QTY. PER PACKING CARTON (REELS / CARTON)
3182-0001	10,000 / REEL	10 REELS / CARTON = 100,000



NOTES.

5. TAPING SPECIFICATION FOLLOWS JIS C 0806 (IEC 60286-3).
6. MAKE EMPTY SECTION OF LEADER AND END ON EACH END OF THE TAPE.
7. TOP TAPE SHALL NOT STICK OUT FROM EMBOSS TAPE.
8. TOP TAPE SHALL NOT COVER FEED HOLE.

NO.	DESCRIPTION	MATERIAL	FINISH, REMARKS
5	PACKING LABEL	-	-
4	REEL	PS	ANTI-STATIC TYPE BLACK
3	TOP TAPE	PET t=0.062 TRANSPARENCY	ANTI-STATIC TYPE
2	EMBOSS TAPE	PS t=0.3 TRANSPARENCY	ANTI-STATIC TYPE

ANGLE	±2°	6 OVER 30 MAX.	±0.3	PROJECTION ⊕	SERIES No. R0	CUSTOMER COPY			
6 MAX.	±0.2	30 OVER 120 MAX.	±0.5						
GENERAL TOLERANCE.				TITLE		SCALE	I-PEX		
DWG.	DATE			MP-A 02		5:1			
CHK.						UNIT			
APP.				DWG. No. 3182		mm			
						SIZE	SHEET	REV.	
						A3	5/5	3	