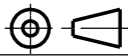


NOTE.
1. RECOMMENDED VACUUM NOZZLE SIZE: $\phi 0.5$

NO.	DESCRIPTION	MATERIAL	FINISH , REMARKS
1	MP-A01	PHOSPHOR BRONZE	CONTACT PART Sn 1.50 μ m MIN. OVER Ni 1.00 μ m MIN. SOLDERING PART Sn 1.00 μ m MIN. OVER Ni 0.50 μ m MIN.

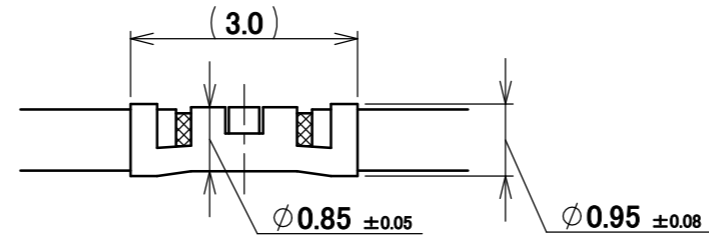
REV.	ECN	BY	DATE	APP.	ANGLE	6 OVER 30 MAX.	±0.3	PROJECTION	SERIES No.	CUSTOMER COPY
4	Z181262	M.N	2018/09/27	Ken	6 MAX.	±0.2	30 OVER 120 MAX.	±0.5	R0	I-PEX SCALE 20:1 UNIT mm SIZE A3 SHEET 1/5 REV. 4
3	Z180775	M.N	2018/06/15	Ken	GENERAL TOLERANCE.				R0	
2	Z180659	S.K	2018/06/05	Ken	DWG.	DATE	MP-A01			
1	Z170702	M.N	2017/06/16	Ken	T.Hirakawa	2014/10/10				
0	Z141169	TAK	2014/10/10		CHK.	DATE				
REV.	ECN	BY	DATE	APP.	APP.	DATE	DWG. No.	3096		

ITEMS	SPECIFICATION
APPLICABLE CONNECTOR PART No.	<ul style="list-style-type: none"> ▪ CABLE CLAMP (3mm) FOR $\Phi 0.81$ COAXIAL CABLE (DAI-ICHI SEIKO P/N: 2296-003) ▪ CABLE CLAMP (6mm) FOR $\Phi 0.81$ COAXIAL CABLE (DAI-ICHI SEIKO P/N: 2818-0001) ▪ CABLE STRIP (OUTER CONDUCTOR $\Phi 0.85 \pm 0.08$) OF $\Phi 0.95$ COAXIAL CABLE. (*1) ▪ CABLE JACKET (OUTSIDE DIAMETER $\Phi 0.81 \pm 0.05$) OF $\Phi 0.81$ COAXIAL CABLE (*2) ▪ CABLE JACKET (OUTSIDE DIAMETER $\Phi 0.95 \pm 0.05$) OF $\Phi 0.95$ COAXIAL CABLE (*1) *1...RF-MF5023 (NISSEI ELECTRIC CO., LTD.) *2...BD-17661 (BANDO DENSEN CO., LTD.)
OPERATING TEMPERATURE	233~358 K (-40°C~+85°C)
OPERATING HUMIDITY	85% MAX. (NON-CONDENSING)
CONTACT RESISTANCE	INITIAL: 70 mohm MAX. / AFTER TEST: 70 mohm MAX.
DURABILITY	5 CYCLES
MATING FORCE (INITIAL / AFTER TEST)	INITIAL: 25 N MAX. / AFTER TEST: 25 N MAX.
UNMATING FORCE (INITIAL / AFTER TEST)	INITIAL: 3 N MIN. / AFTER TEST: 1.5 N MIN.
PRODUCT SPECIFICATION	PRS-2048
TEST REPORT	TR-14139
PACKING STANDARD	PST-14022
INSTRUCTION MANUAL	HIM-14011

ANGLE	$\pm 2^\circ$	6 OVER 30 MAX.	± 0.3	PROJECTION 	SERIES No. R0	CUSTOMER COPY
	6 MAX.	± 0.2	30 OVER 120 MAX.			
GENERAL TOLERANCE.				TITLE	SCALE -	UNIT mm
DWG.	DATE			MP-A01		
CHK.	DATE					
APP.	DATE					
				DWG. No.	3096	SIZE A3
				SHEET 2/5		REV. 4

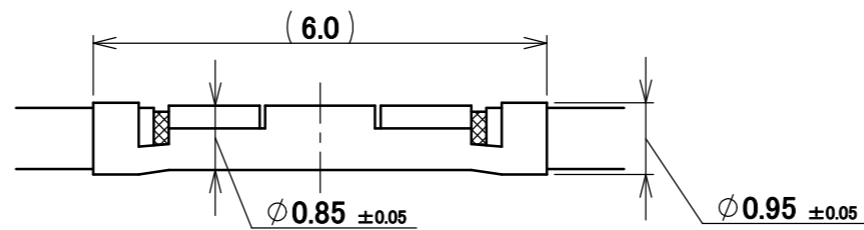
① $\Phi 0.81$ COAXIAL CABLE WITH 3mm CABLE CLAMP (PART NO. 2296-003)

*A-CONTACT: HOLD & CONTACT, B-CONTACT: DEFORMATION



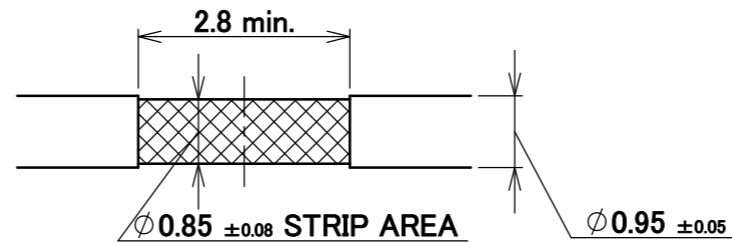
② $\Phi 0.81$ COAXIAL CABLE WITH 6mm CABLE CLAMP (PART NO. 2818-0001)

*A-CONTACT: HOLD & CONTACT, B-CONTACT: NOT CONTACT



③ STRIPPED $\Phi 0.95$ COAXIAL CABLE

*A-CONTACT: HOLD & CONTACT, B-CONTACT: NOT CONTACT



④ UNSTRIPPED $\Phi 0.81$ COAXIAL CABLE (OUTSIDE DIAMETER $\Phi 0.81 \pm 0.05$)

*A-CONTACT: HOLD, B-CONTACT: NOT HOLD

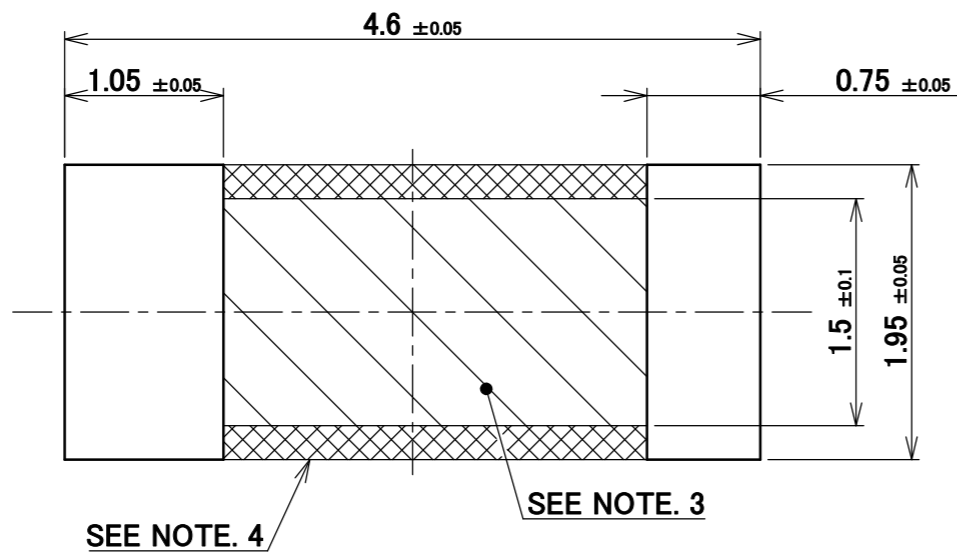
⑤ UNSTRIPPED $\Phi 0.95$ COAXIAL CABLE (OUTSIDE DIAMETER $\Phi 0.95 \pm 0.05$)

*B-CONTACT: HOLD, A-CONTACT: DEFORMATION

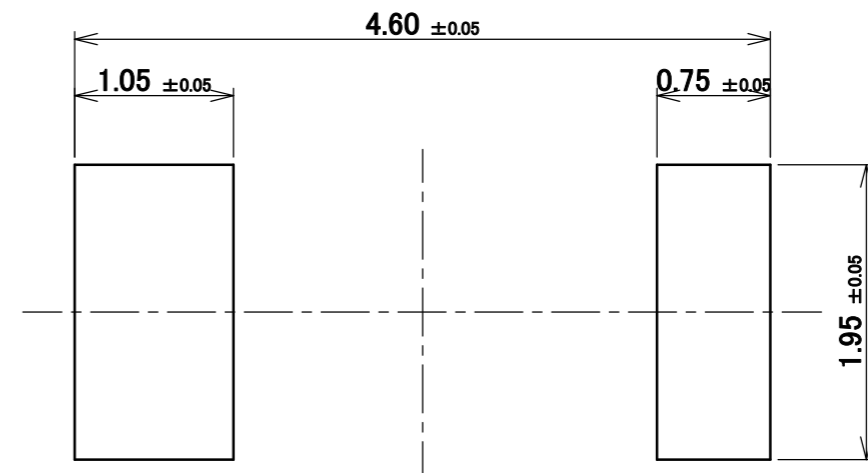
APPLICABLE CABLE

NOTE.
2. ONLY A SIMILAR CABLE IS REPLACEABLE.

ANGLE	$\pm 2^\circ$	6 OVER 30 MAX.	± 0.3	PROJECTION 	SERIES No. R0	CUSTOMER COPY	
6 MAX.	± 0.2	30 OVER 120 MAX.	± 0.5				
GENERAL TOLERANCE.				TITLE MP-A01	SCALE 20:1	UNIT mm I-PEX	
DWG.	DATE						
CHK.	DATE						
APP.	DATE						
				DWG. No.	3096	SIZE A3	SHEET 3/5 REV. 4

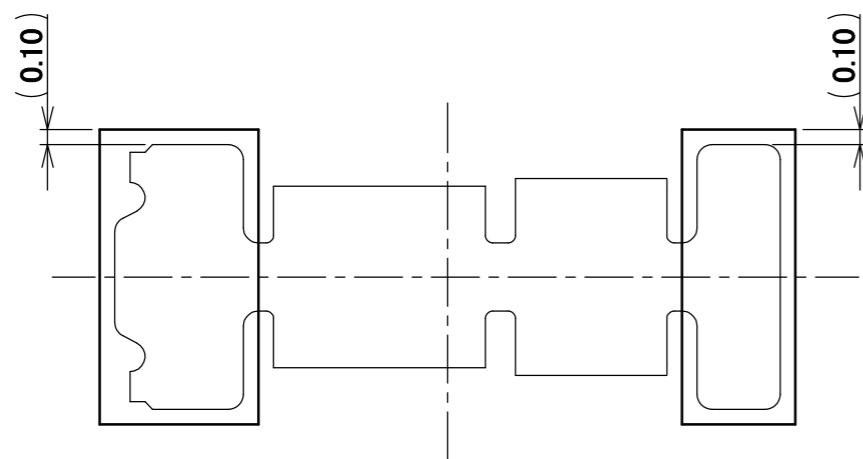


RECOMMENDED FOOTPRINT PATTERN

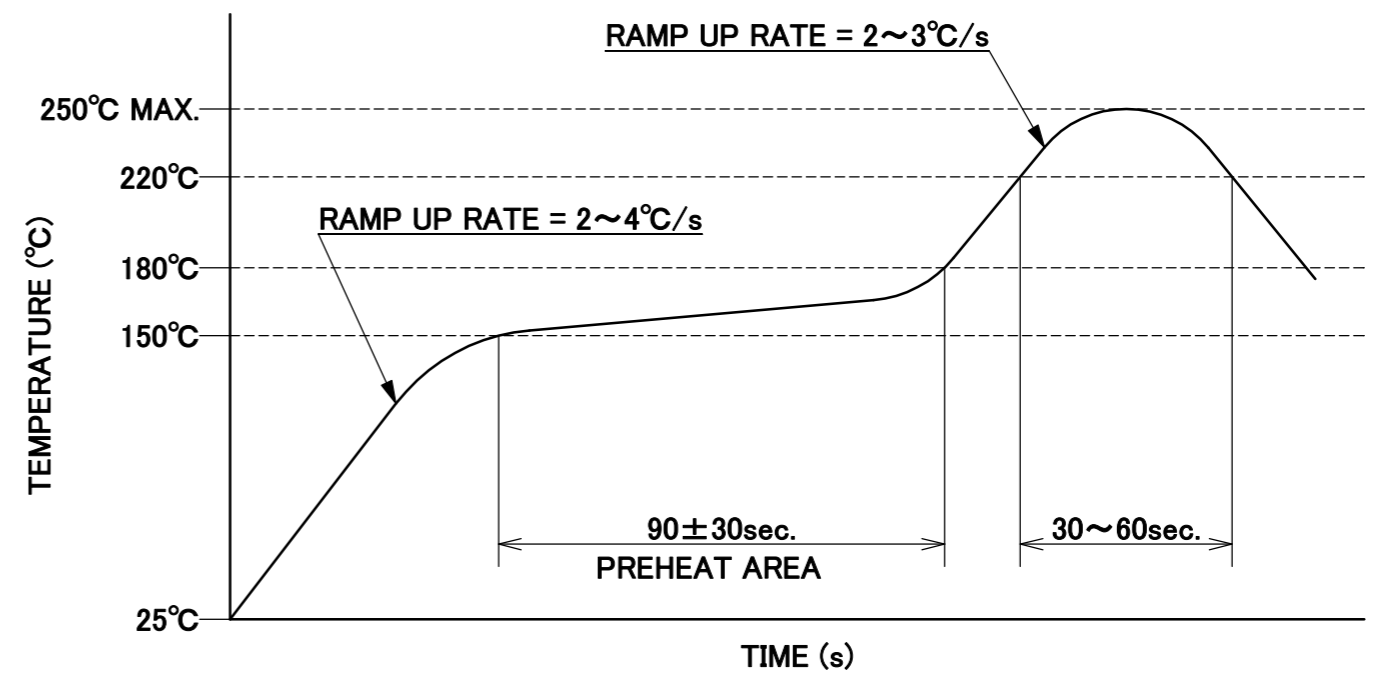


THICKNESS: 0.10mm

METAL MASK



CONNECTOR ON RECOMENDED FOOTPRINT PATTERN

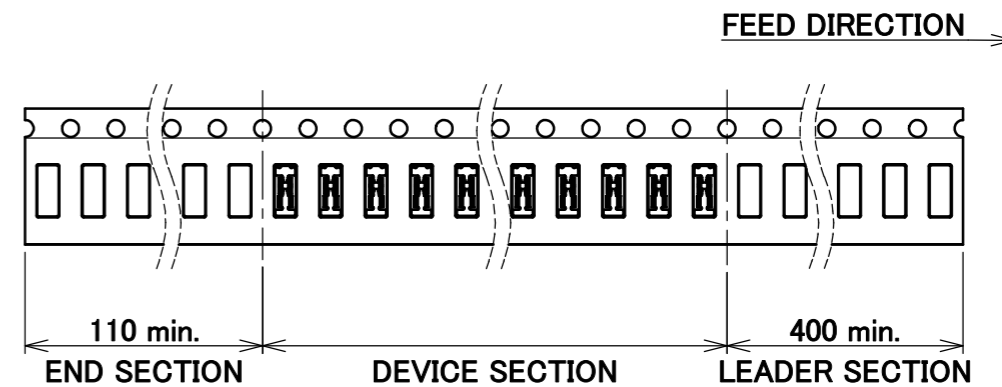
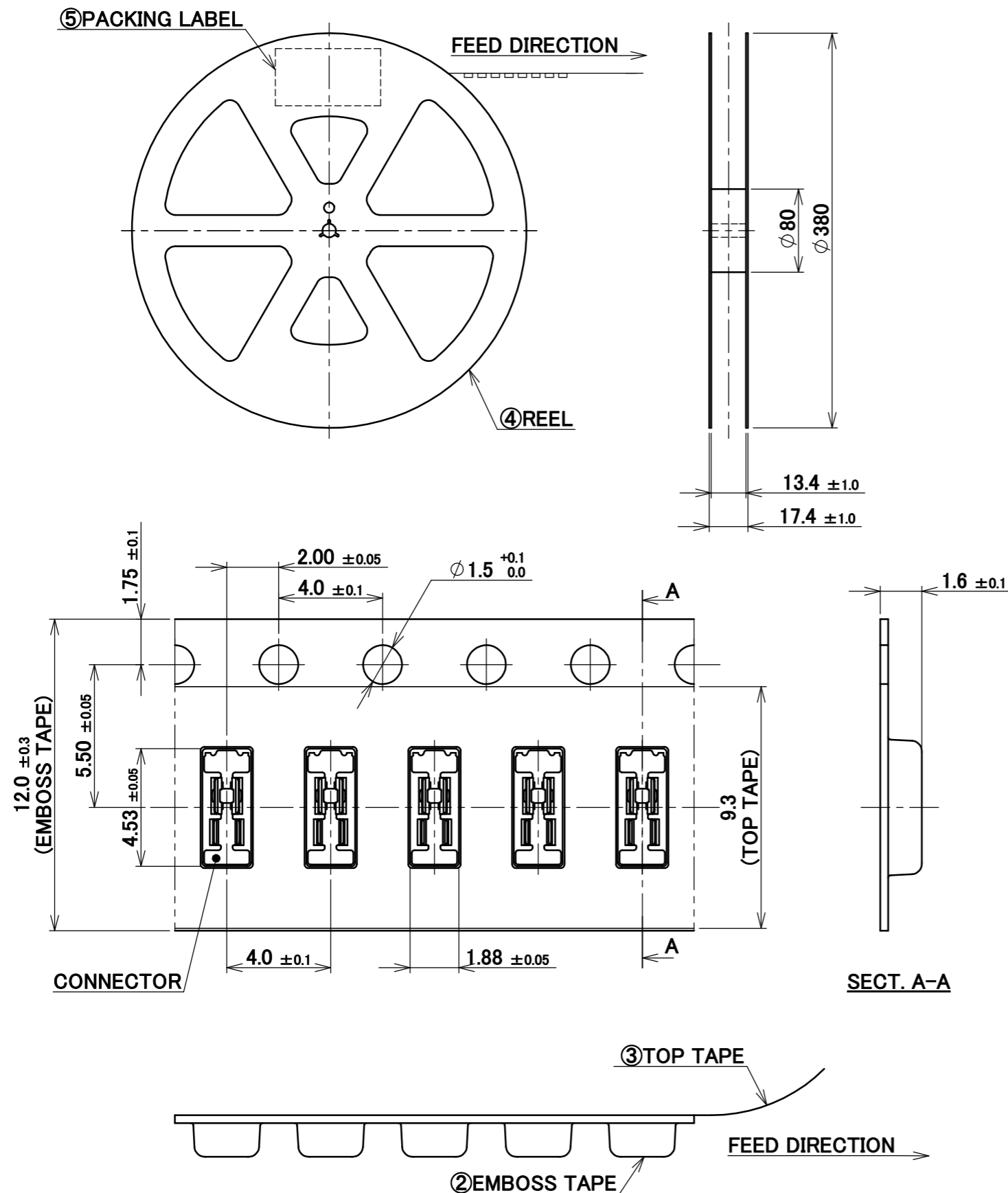


REFLOW TEMPERATURE PROFILE
SENJU METAL INDUSTRY CO., LTD. : M705-SHF(Sn96.5 Ag3.0 Cu0.5)

- NOTES.
 3. PATTERN AND RESIST PROHIBITION AREA.
 4. THIS AREA CANNOT MOUNT ANOTHER COMPONENTS.

ANGLE	±2°	6 OVER 30 MAX.	±0.3	PROJECTION ⊕	SERIES No. R0	CUSTOMER COPY	
6 MAX.	±0.2	30 OVER 120 MAX.	±0.5				
GENERAL TOLERANCE.				TITLE	SCALE 20:1 UNIT mm SIZE A3	I-PEX	
DWG.	DATE			MP-A01			
CHK.	DATE						
APP.	DATE						
				DWG. No.	3096	SHEET	4/5
						REV.	4

PART NO.	QTY. PER EMBOSS REEL (PIECES / REEL)	QTY. PER PACKING CARTON (REELS / CARTON)
3096-0001	10,000 / REEL	10 REELS / CARTON = 100,000



NOTES.

5. TAPING SPECIFICATION FOLLOWS JIS C 0806 (IEC 60286-3).
6. MAKE EMPTY SECTION OF LEADER AND END ON EACH END OF THE TAPE.
7. TOP TAPE SHALL NOT STICK OUT FROM EMBOSS TAPE.
8. TOP TAPE SHALL NOT COVER FEED HOLE.

NO.	DESCRIPTION	MATERIAL	FINISH, REMARKS
5	PACKING LABEL	-	-
4	REEL	PS	ANTI-STATIC TYPE BLACK
3	TOP TAPE	PET	ANTI-STATIC TYPE
2	EMBOSS TAPE	PS	ANTI-STATIC TYPE

ANGLE	±2°	6 OVER 30 MAX.	±0.3	PROJECTION ①	SERIES No. R0	CUSTOMER COPY
6 MAX.	±0.2	30 OVER 120 MAX.	±0.5			
GENERAL TOLERANCE.				TITLE MP-A01	SCALE -	I-PEX
DWG.	DATE					
CHK.	DATE					
APP.	DATE					
DWG. No. 3096				SIZE A3	SHEET 5/5	REV. 4