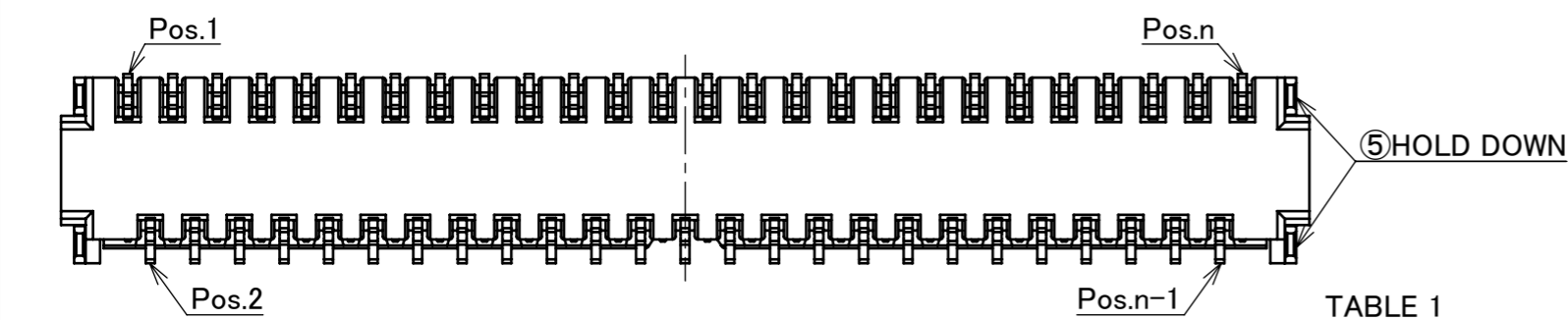


PART NO.	Pos.	A	B	C	D	E
◆20982-015E-01	15P	6.00	3.60	4.20	4.85	5.50
◆20982-033E-01	33P	11.40	9.00	9.60	10.25	10.90
◆20982-035E-01	35P	12.00	9.60	10.20	10.85	11.50
◆20982-037E-01	37P	12.60	10.20	10.80	11.45	12.10
◆20982-039E-01	39P	13.20	10.80	11.40	12.05	12.70
◆20982-041E-01	41P	13.80	11.40	12.00	12.65	13.30
◆20982-045E-01	45P	15.00	12.60	13.20	13.85	14.50
◆20982-049E-01	49P	16.20	13.80	14.40	15.05	15.70
◆20982-051E-01	51P	16.80	14.40	15.00	15.65	16.30
◆20982-055E-01	55P	18.00	15.60	16.20	16.85	17.50
◆20982-057E-01	57P	18.60	16.20	16.80	17.45	18.10
◆20982-061E-01	61P	19.80	17.40	18.00	18.65	19.30
◆20982-065E-01	65P	21.00	18.60	19.20	19.85	20.50
◆20982-067E-01	67P	21.60	19.20	19.80	20.45	21.10
◆20982-071E-01	71P	22.80	20.40	21.00	21.65	22.30
◆20982-075E-01	75P	24.00	21.60	22.20	22.85	23.50

◆ MARK MEANS NOT AVAILABLE.



NOTES.  
 1. THIS DENT SHAPE IS PURPOSED FOR GOOD INJECTION QUALITY. THIS DENT SHAPE WILL NOT AFFECT CONNECTR FUNCTION. DENT SHAPE SHOWN ON DRAWING IS JUST FOR REFERENCE. DENT SHAPE AND QUANTITY MIGHT CHABGE FROM DIFFERENT PIN COUNT AND DIFFERENT TOOLING.  
 2. CONTACT POINT : TOP AND BOTTOM CONTACT

CAUTION VISIT OUR WEBSITE FOR LATEST VERSIONS OF INSTRUCTION MANUAL NO. HIM-12007 TO HANDLE THE PRODUCT PROPERLY AND SAFELY.

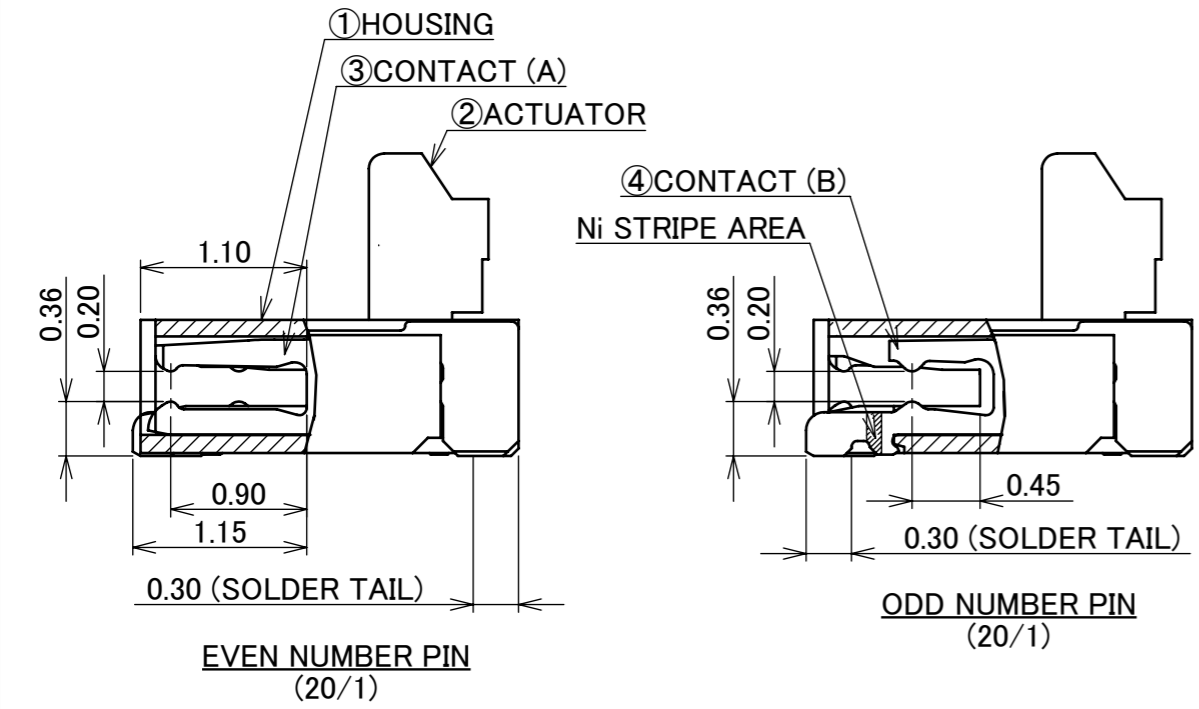


TABLE 1

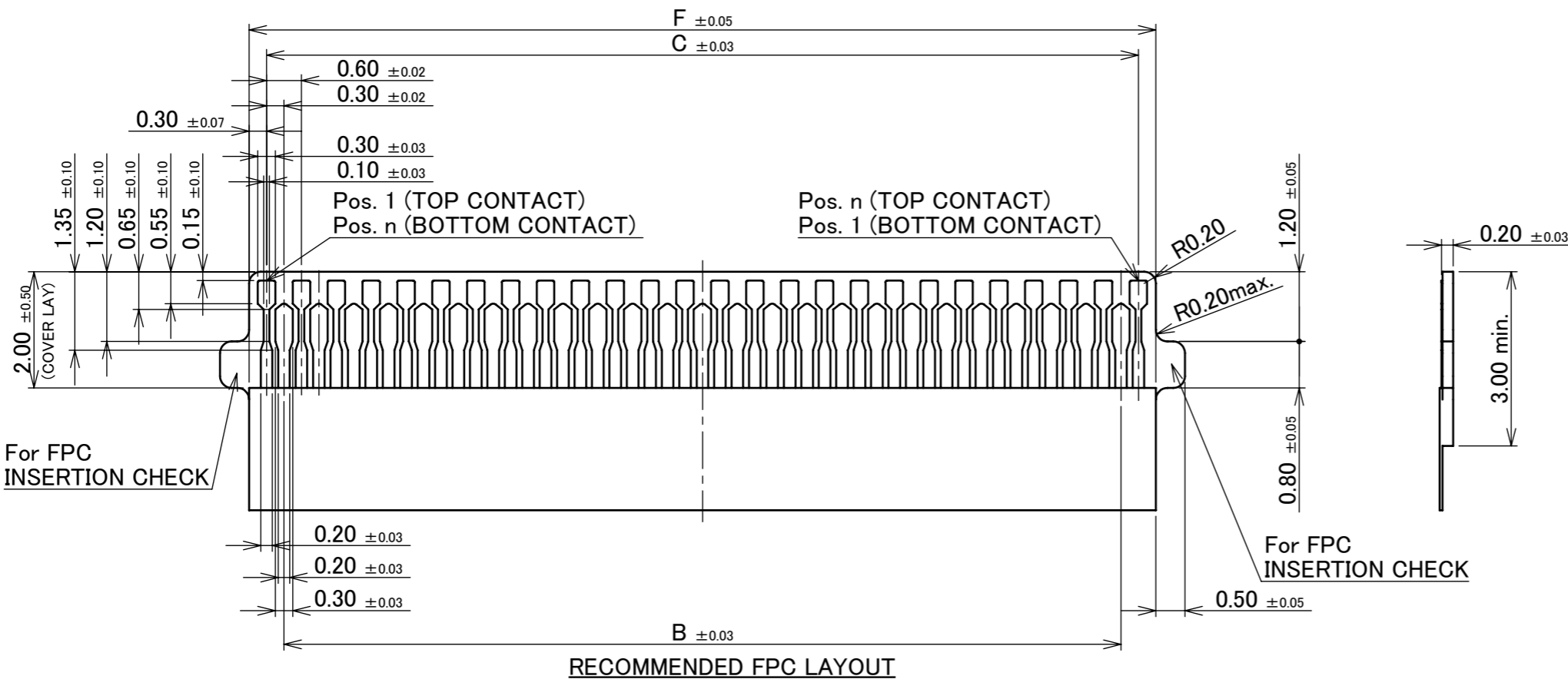
PART NO.	FINISH		
20982-0**E-01	CONTACT AREA : Au 0.10 μm MIN. OVER Ni 1.00 μm MIN. SOLDERING AREA : Au 0.03 μm MIN. OVER Ni 1.00 μm MIN.		
5	HOLD DOWN	PHOSPHOR BRONZE	Sn 2~6 μm MIN. OVER Ni 1.00 μm MIN.
4	CONTACT (B)	PHOSPHOR BRONZE	SEE TABLE 1, WITH Ni STRIPE
3	CONTACT (A)	PHOSPHOR BRONZE	SEE TABLE 1
2	ACTUATOR	LCP	UL94V-0, BEIGE
1	HOUSING	LCP	UL94V-0, BEIGE
NO.	DISCRIPTION	MATERIAL	FINISH , REMARKS

ANGLE	±2°	6 OVER 30 MAX.	±0.3	PROJECTION ⊕	SERIES No. R0	CUSTOMER COPY			
	6 MAX.	±0.2	30 OVER 120 MAX.				±0.5		
GENERAL TOLERANCE.				TITLE MINIFLEX® 3-BFN L-HD TYPE	SCALE 10:1	UNIT mm			
DWG.	DATE								
S.Shigekoshi	2021/03/24								
CHK.	M.Muro								
0	Z210315	S.Sh	Mar./24/'21						
REV.	ECN	BY	DATE	APP.	DWG. No.	20982	SIZE A3	SHEET 1/5	REV. 0
REVISION RECORD				H.Ikari					

ITEMS	SPECIFICATION
RATING VOLTAGE	50V AC (PER CONTACT)
RATING AMPERAGE	0.3A DC (PER CONTACT)
OPERATING TEMPERATURE	233~358K (-40°C~+85°C)
OPERATING HUMIDITY	20~80%RH (NON-CONDENSING)
CONTACT RESISTANCE	INITIAL : 60mohm MAX. / AFTER TEST : $\triangleleft$ 40mohm MAX.
INSULATION RESISTANCE	100Mohm MIN.
DIELECTRIC WITHSTANDING VOLTAGE	AC250V 1min
DURABILITY	20 CYCLES
ACTUATOR LOCKING FORCE (INITIAL / 20 CYCLES)	INITIAL / 20 CYCLES 0.21N (21gf) $\times$ n MAX.
ACTUATOR UNLOCKING FORCE (INITIAL / 20 CYCLES)	INITIAL / 20 CYCLES 0.014N (1.4gf) $\times$ n MIN.
FPC RETENTION FORCE (INITIAL / AFTER TEST)	INITIAL: 0.13N (13gf) $\times$ n MIN. / AFTER TEST: 0.10N (10gf) $\times$ n MIN.
COPLANARITY	0.10 MAX.
PRODUCT SPECIFICATION	PRS-2650
TEST REPORT	TR-20010
PACKING STANDARD	PST-15093
INSTRUCTION MANUAL	HIM-12007
APPEARANCE CRITERIA No.	QLS-A***

※ "n" IS THE NUMBER OF PIN

ANGLE	$\pm 2^\circ$	6 OVER 30 MAX.	$\pm 0.3$	PROJECTION 	SERIES No. R0	CUSTOMER COPY		
6 MAX.	$\pm 0.2$	30 OVER 120 MAX.	$\pm 0.5$					
GENERAL TOLERANCE.				TITLE MINIFLEX® 3-BFN L-HD TYPE	SCALE 	I-PEX		
DWG.	DATE							
CHK.								
APP.								
				DWG. No.	20982	SIZE	SHEET	REV.
						A3	2/5	0



PART NO.	Pos.	B	C	F	G
◆ 20982-015E-01	15P	3.60	4.20	4.80	5.65
◆ 20982-033E-01	33P	9.00	9.60	10.20	11.05
◆ 20982-035E-01	35P	9.60	10.20	10.80	11.65
◆ 20982-037E-01	37P	10.20	10.80	11.40	12.25
◆ 20982-039E-01	39P	10.80	11.40	12.00	12.85
◆ 20982-041E-01	41P	11.40	12.00	12.60	13.45
◆ 20982-045E-01	45P	12.60	13.20	13.80	14.65
◆ 20982-049E-01	49P	13.80	14.40	15.00	15.85
◆ 20982-051E-01	51P	14.40	15.00	15.60	16.45
◆ 20982-055E-01	55P	15.60	16.20	16.80	17.65
◆ 20982-057E-01	57P	16.20	16.80	17.40	18.25
◆ 20982-061E-01	61P	17.40	18.00	18.60	19.45
◆ 20982-065E-01	65P	18.60	19.20	19.80	20.65
◆ 20982-067E-01	67P	19.20	19.80	20.40	21.25
◆ 20982-071E-01	71P	20.40	21.00	21.60	22.45
◆ 20982-075E-01	75P	21.60	22.20	22.80	23.65

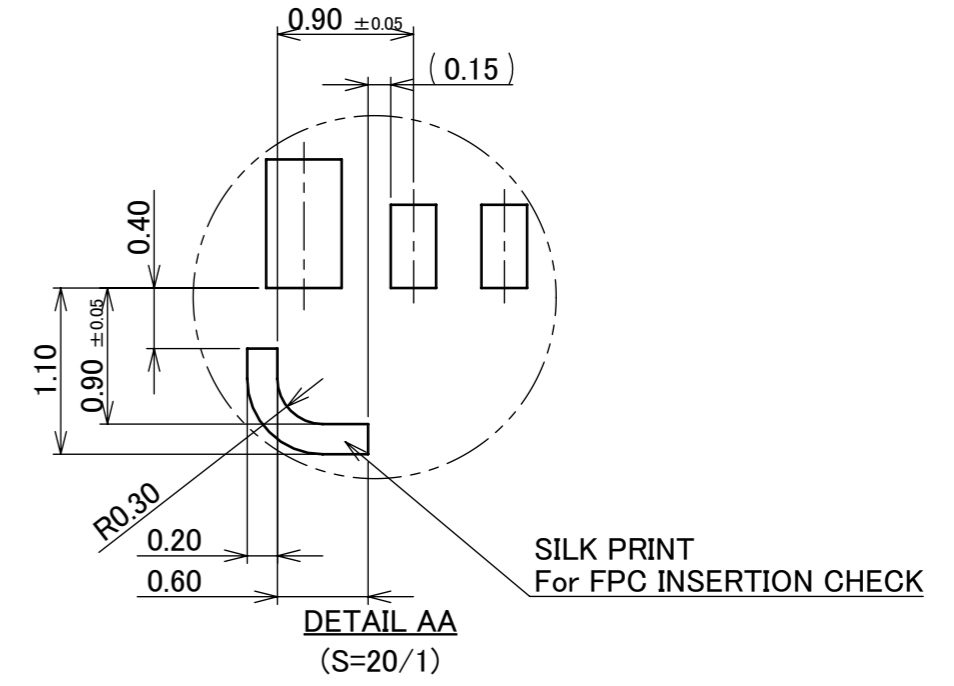
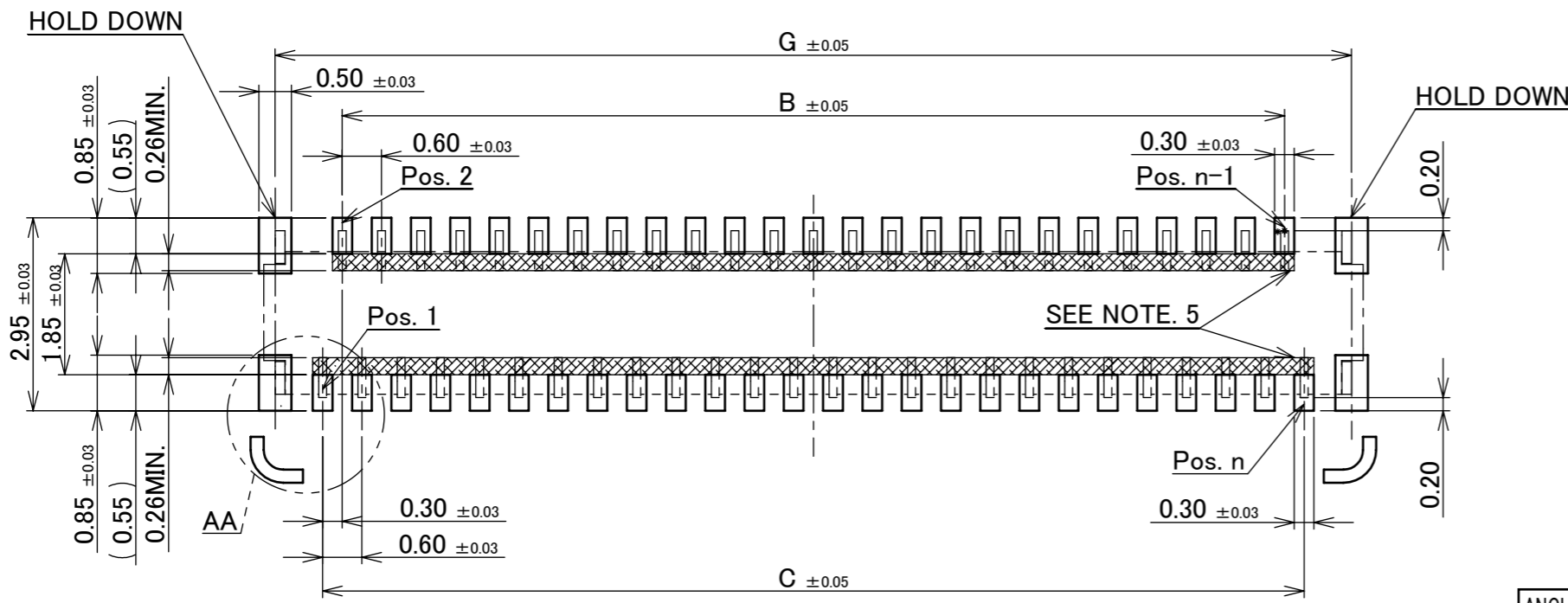
◆ MARK MEANS NOT AVAILABLE.

NOTES.

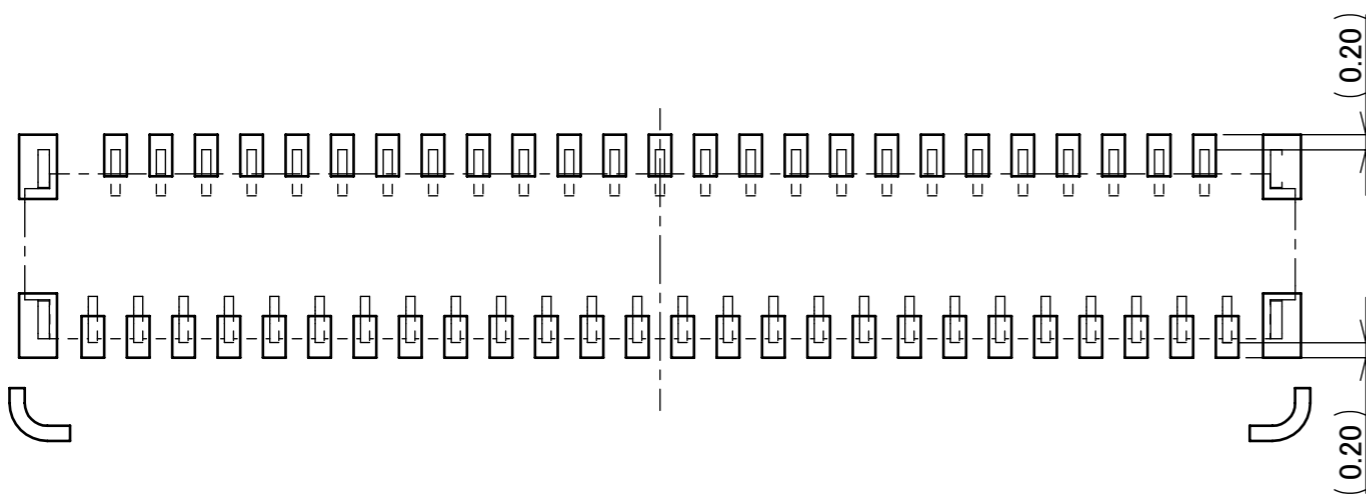
3. MATERIAL  
 COVER FILM : PI  
 CONDUCTOR : COPPER(RARE)  
 BASE FILM : PI  
 STIFFENER : PI  
 ADHESIVE : THERMOSETTING ADHESIVE

4. FINISH  
 Au OVER Ni UNDER PLATING.

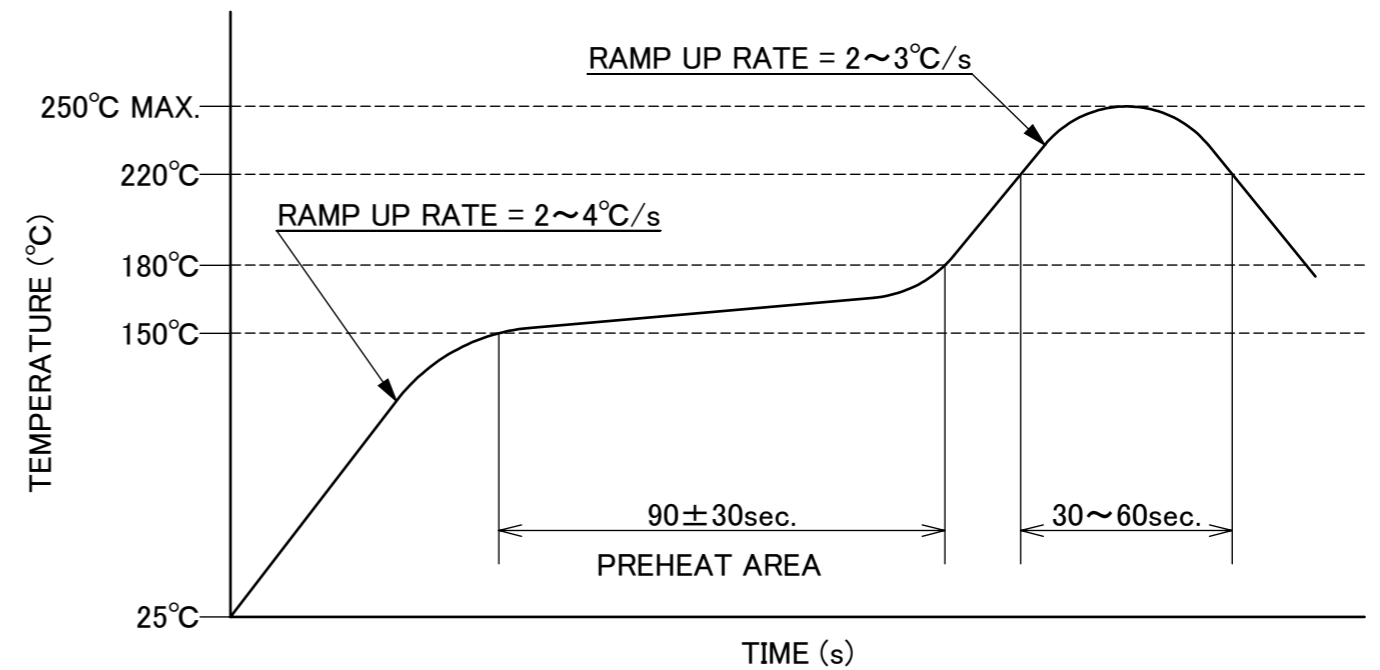
5. SOLDER RESIST SHALL BE APPLIED TO PREVENT SHORT CIRCUITS WHEN PLACING SIGNAL LINES ON GROUND AREA.



ANGLE	$\pm 2^\circ$	6 OVER 30 MAX.	$\pm 0.3$	PROJECTION	SERIES No.	CUSTOMER COPY			
	6 MAX.	$\pm 0.2$	30 OVER 120 MAX.	$\pm 0.5$		R0			
GENERAL TOLERANCE.				TITLE	SCALE	<b>I-PEX</b>			
DWG.	DATE			MINIFLEX® 3-BFN	10:1				
CHK.				L-HD TYPE	UNIT				
APP.					mm				
				DWG. No.	SIZE	SHEET	REV.		
				20982	A3	3/5	0		



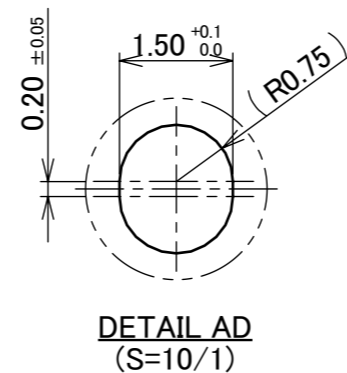
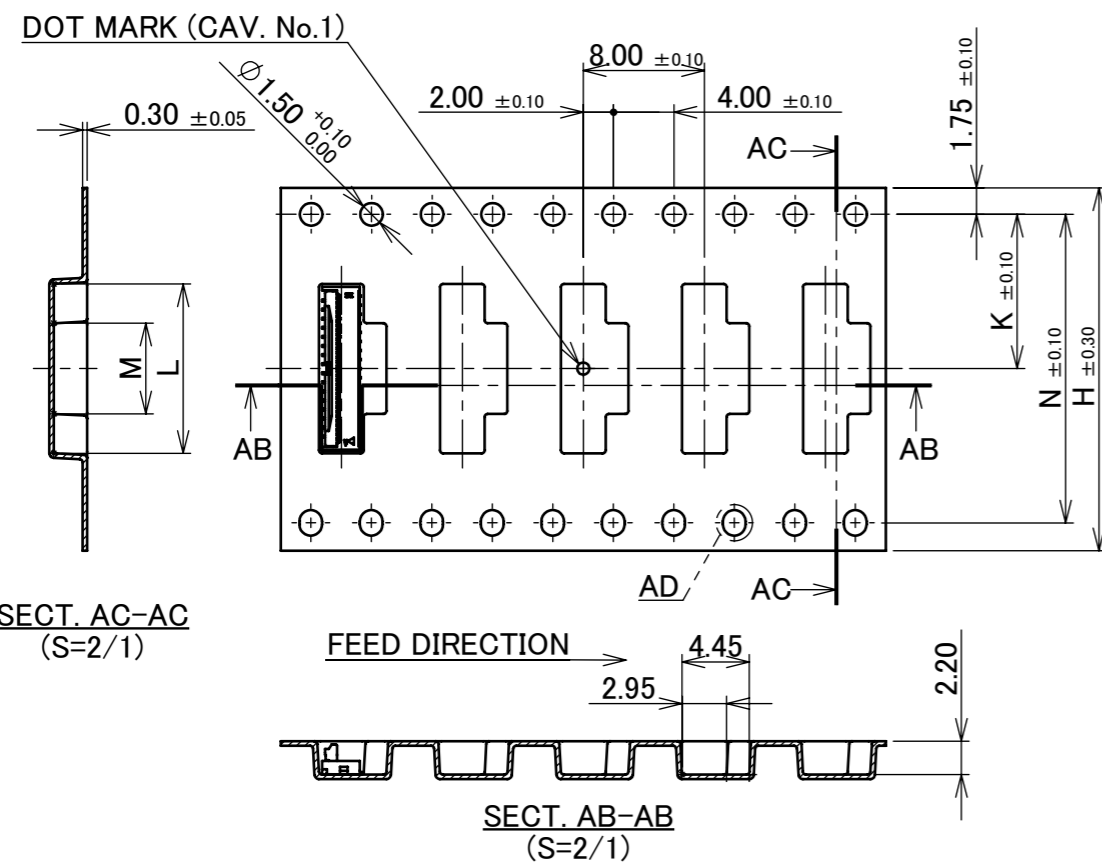
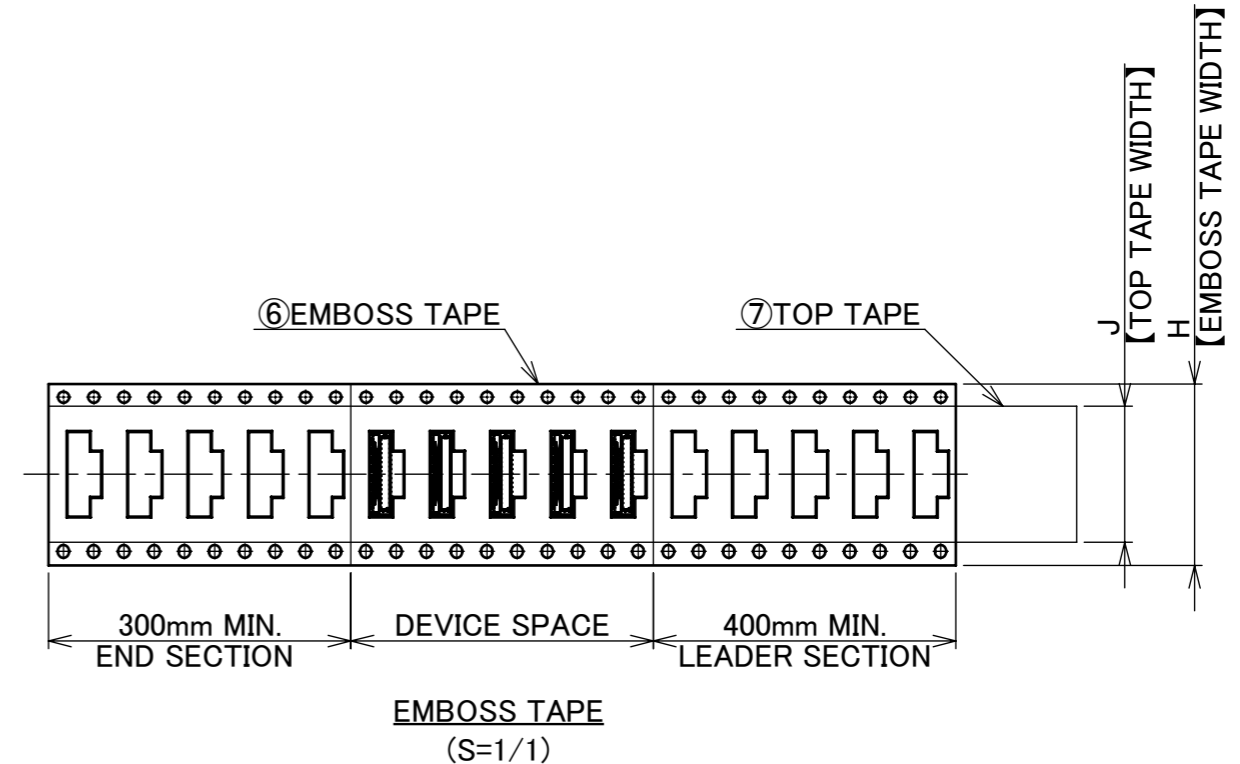
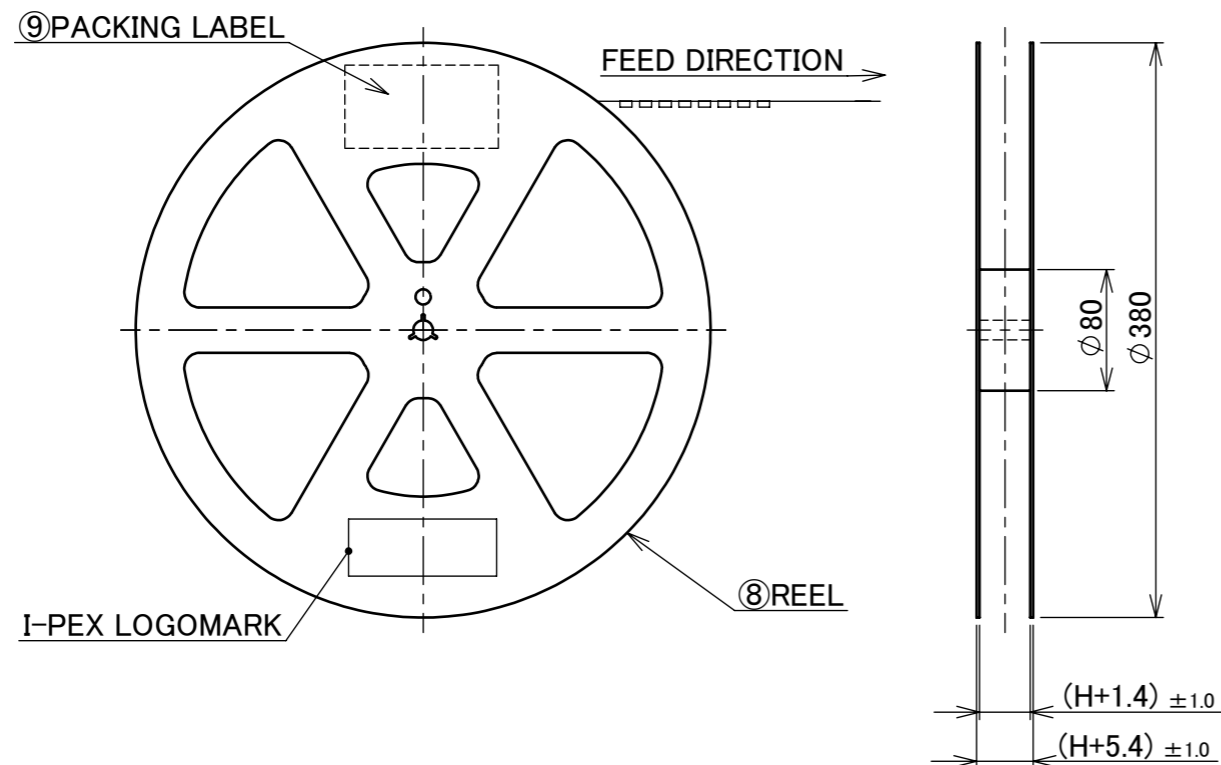
CONNECTOR ON RECOMMENDED PCB LAYOUT



REFLOW TEMPERATURE PROFILE  
 SENJU METAL INDUSTRY CO., LTD. : M705-SHF(Sn96.5 Ag3.0 Cu0.5)

ANGLE	±2°	6 OVER 30 MAX.	±0.3	PROJECTION 	SERIES No. R0	CUSTOMER COPY		
6 MAX.	±0.2	30 OVER 120 MAX.	±0.5					
GENERAL TOLERANCE.				TITLE MINIFLEX® 3-BFN L-HD TYPE	SCALE 10:1	UNIT <b>I-PEX</b>		
DWG.	DATE							
CHK.								
APP.								
				DWG. No.	20982	SIZE A3	SHEET 4/5	REV. 0

DEVICE P/N	H	J	K	L	M	N	QTY. PER EMBOSS REEL (PIECES / REEL)	QTY. PER PACKING CARTON (REELS / CARTON)
20982-051E-01	32.0	26.0	14.20	17.20	8.00	28.40	4,000 / REEL	4 / CARTON = 16,000
◆20982-061E-01				20.20	10.00			



- NOTES.
- TAPING SPECIFICATION FOLLOWS JIS C 0806 (IEC 60286-3).
  - MAKE EMPTY SECTION OF LEADER AND END ON EACH END OF THE TAPE.
  - TOP TAPE SHALL NOT STICK OUT FROM EMBOSS TAPE.
  - TOP TAPE SHALL NOT COVER FEED HOLE.

NO.	DISCRIPTION	MATERIAL	FINISH , REMARKS
9	PACKING LABEL	-	-
8	REEL	PS	BLACK
7	TOP TAPE	PET t=0.061 TRANSPARENCY	ANTI-STATIC TYPE ADHESIVE TYPE
6	EMBOSS TAPE	PS t=0.3 TRANSPARENCY	ANTI-STATIC TYPE

ANGLE	±2°	6 OVER 30 MAX.	±0.3	PROJECTION	SERIES No.	CUSTOMER COPY		
6 MAX.	±0.2	30 OVER 120 MAX.	±0.5		R0			
GENERAL TOLERANCE.				TITLE	SCALE		1: X	
DWG.	DATE			MINIFLEX® 3-BFN	UNIT		mm	
CHK.				L-HD TYPE	SIZE		A3	
APP.				DWG. No.	20982	SHEET	5/5	REV. 0