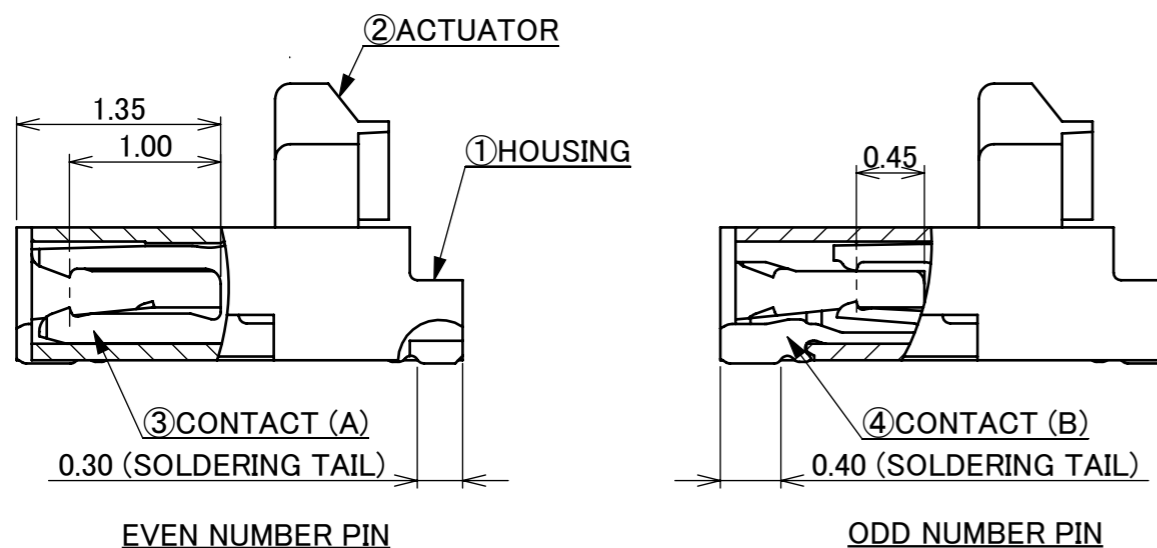


NOTES.

- This dent shape is purposed for good injection quality. This dent shape will not affect connector function. Dent shape shown on drawing is just for reference. Dent shape and quantity might change from different pin count and different tooling.
- CONTACT POINT: TOP AND BOTTOM CONTACT

CAUTION VISIT OUR WEBSITE FOR LATEST VERSIONS OF INSTRUCTION MANUAL NO. HIM-14004 TO HANDLE THE PRODUCT PROPERLY AND SAFELY.



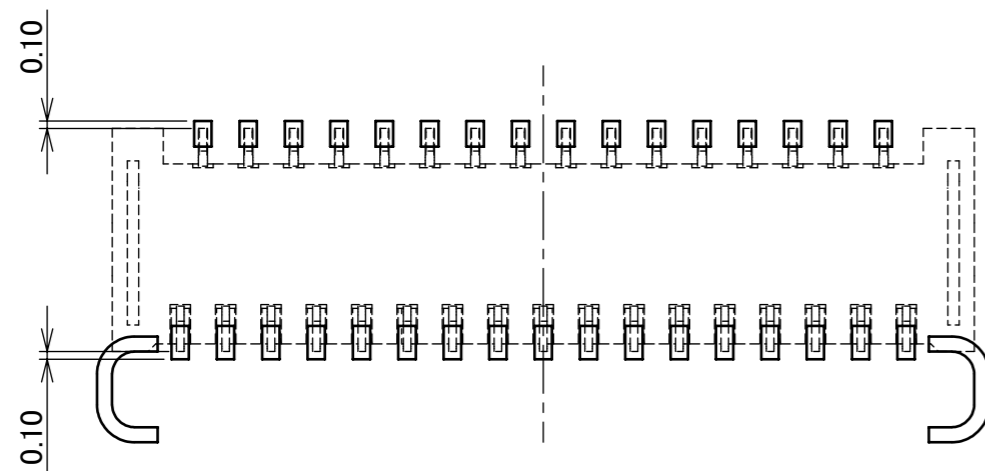
5	ACTUATOR HOLDER	NICKEL SILVER	
4	CONTACT(B)	PHOSPHOR BRONZE	CONTACT AREA : Au 0.1 μm MIN. OVER Ni 1.0 μm MIN. SOLDERING AREA : Au 0.03 μm MIN. OVER Ni 1.0 μm MIN.
3	CONTACT(A)	PHOSPHOR BRONZE	CONTACT AREA : Au 0.1 μm MIN. OVER Ni 1.0 μm MIN. SOLDERING AREA : Au 0.03 μm MIN. OVER Ni 1.0 μm MIN.
2	ACTUATOR	LCP	UL94V-0, BEIGE
1	HOUSING	LCP	UL94V-0, BEIGE
NO.	DISCRIPTION	MATERIAL	REMARKS

10	Z191249	S.Sh	Sept./18/'19	H.I	ANGLE	±2°	6 OVER 30 MAX.	±0.3	PROJECTION ⊕	SERIES No. R4	CUSTOMER COPY		
9	Z181441	M.M	Nov./05/'18	Y.S	6 MAX.	±0.2	30 OVER 120 MAX.	±0.5					
8	Z180998	M.M	Aug./21/'18	Y.S	GENERAL TOLERANCE.			TITLE MINIFLEX® 3-BFNH LONG ACT TYPE	SCALE	I-PEX			
7	Z161218	H.A	Oct./06/'16	Y.S	DWG.	M.Muro	DATE		Jan./23/'14		10:1		
6	Z160689	M.M	Jun./21/'16	Y.S	CHK.	J.Tateishi	DATE		Jan./23/'14		UNIT	mm	
5	Z160669	M.M	Jun./14/'16	Y.S	APP.	E.Kawabe	DATE		Jan./24/'14		SIZE	A3	
REV.	ECN	BY	DATE	APP.	REVISION RECORD				DWG. No.		20605	SHEET	1/5

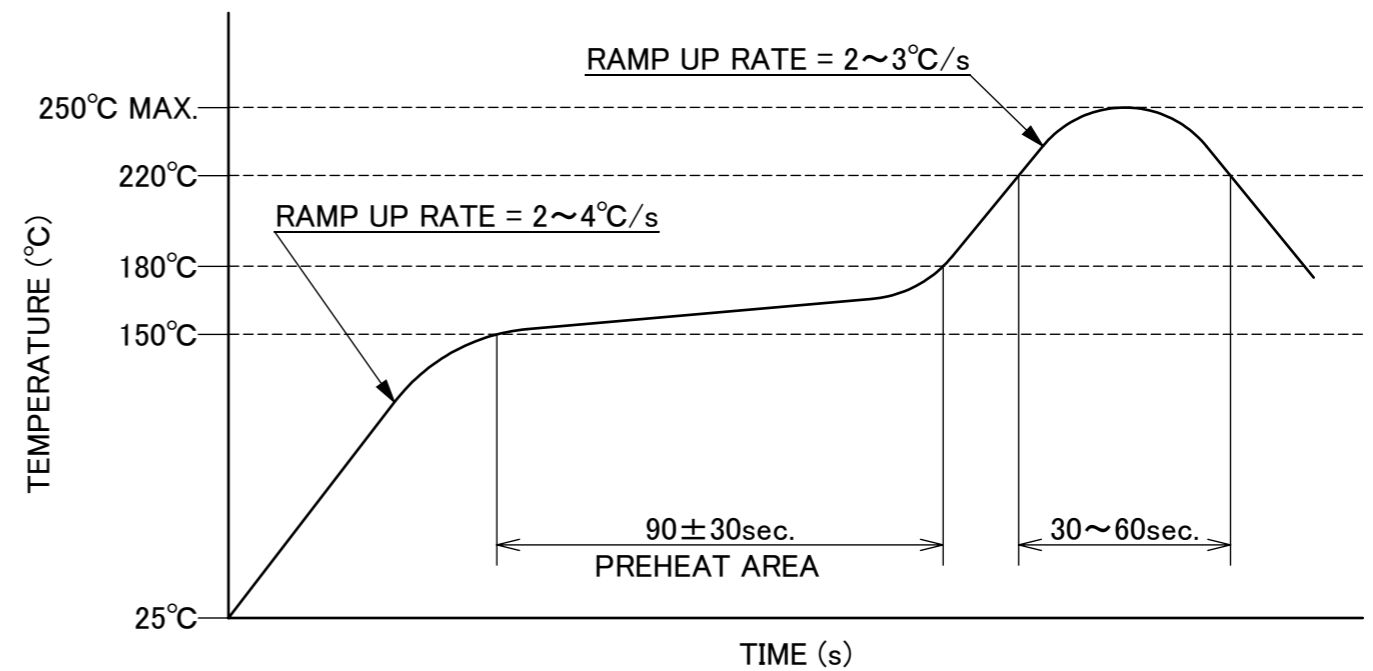
ITEMS	SPECIFICATION
RATING VOLTAGE	50V AC/DC (PER CONTACT)
RATING AMPERAGE	0.3A DC (PER CONTACT)
OPERATING TEMPERATURE	233~358K(-40°C~+85°C)
OPERATING HUMIDITY	85% MAX.(NON-CONDENSING)
CONTACT RESISTANCE	INITIAL : 60mohm MAX. / AFTER TEST : \triangleleft 40mohm MAX.
INSULATION RESISTANCE	100Mohm MIN.
DIELECTRIC WITHSTANDING VOLTAGE	AC250V 1min
DURABILITY	20TH CYCLES
ACTUATOR LOCKING FORCE (INITIAL / 20TH CYCLES)	INITIAL : 0.245N(24.5gf) \times n MAX. / 20TH CYCLES : 0.245N(24.5gf) \times n MAX.
ACTUATOR UNLOCKING FORCE (INITIAL / 20TH CYCLES)	INITIAL : 0.014N(1.4gf) \times n MIN. / 20TH CYCLES : 0.014N(1.4gf) \times n MIN.
FPC RETENTION FORCE (INITIAL / AFTER TEST)	INITIAL : 0.13N(13gf) \times n MIN. / AFTER TEST : 0.10N(10gf) \times n MIN.
COPLANARITY	0.10 MAX.
PRODUCT SPECIFICATION	PRS-1920
TEST REPORT	TR-14022
PACKING STANDARD	PST-14013
INSTRUCTION MANUAL	HIM-14004
APPEARANCE CRITERIA	QLS-A***

※ "n" IS THE NUMBER OF PIN

ANGLE	$\pm 2^\circ$	6 OVER 30 MAX.	± 0.3	PROJECTION 	SERIES No. R4	CUSTOMER COPY	
	6 MAX.	± 0.2	30 OVER 120 MAX.				± 0.5
GENERAL TOLERANCE.				TITLE MINIFLEX® 3-BFNH LONG ACT TYPE	SCALE	UNIT mm	
DWG.	DATE						
CHK.	DATE						
APP.	DATE						
				DWG. No.	20605	SIZE A3	
						SHEET 2/5	REV. 10



CONNECTOR ON RECOMMENDED FOOTPRINT PATTERN

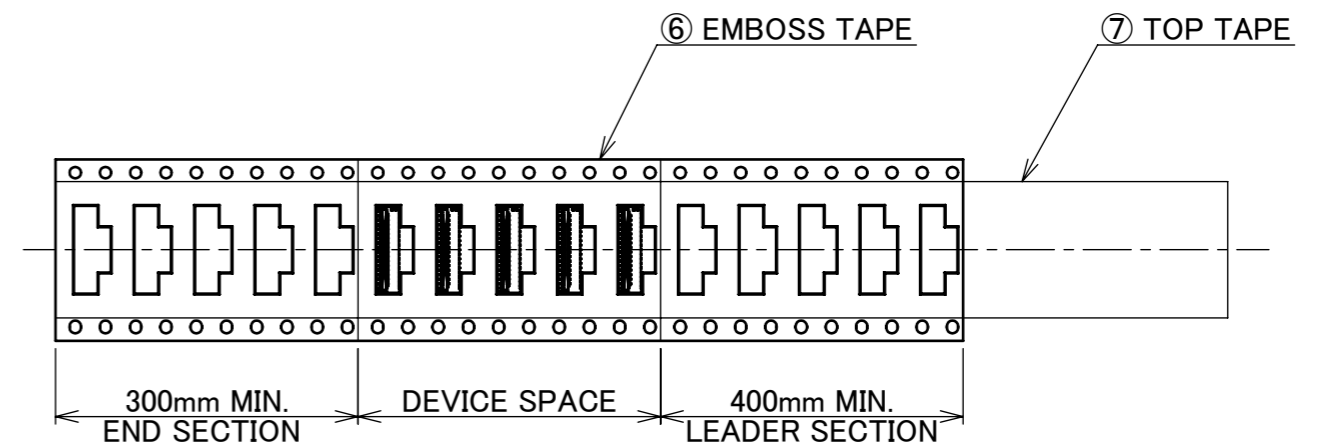
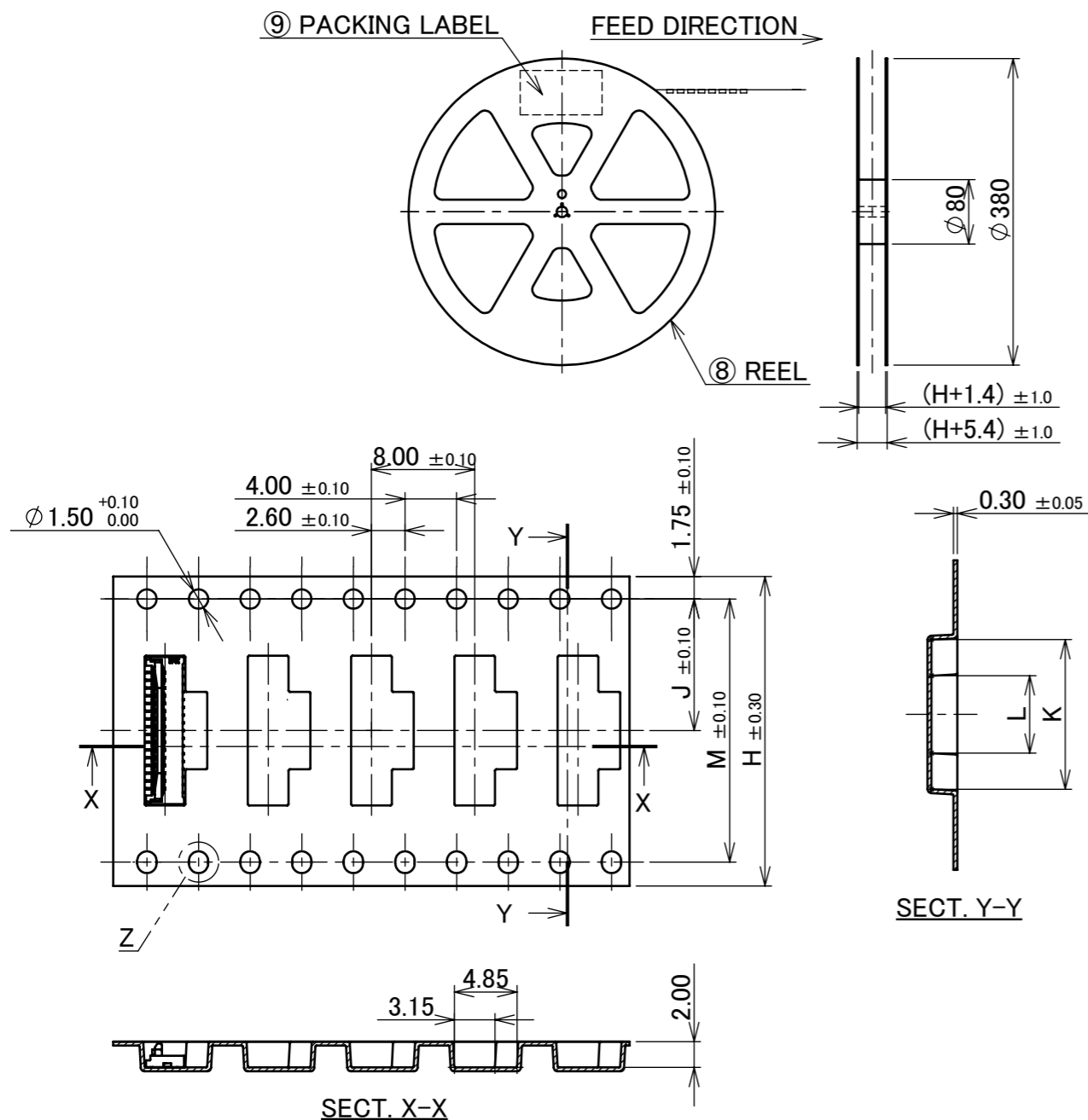


REFLOW TEMPERATURE PROFILE
 SENJU METAL INDUSTRY CO., LTD. : M705-SHF(Sn96.5 Ag3.0 Cu0.5)

ANGLE	±2°	6 OVER 30 MAX.	±0.3	PROJECTION 	SERIES No. R4	CUSTOMER COPY	
6 MAX.	±0.2	30 OVER 120 MAX.	±0.5				
GENERAL TOLERANCE.				TITLE MINIFLEX® 3-BFNH LONG ACT TYPE	SCALE 10:1	UNIT mm I-PEX	
DWG.	DATE						
CHK.	DATE						
APP.	DATE						
				DWG. No.	20605	SIZE A3	SHEET 4/5 REV. 10

PART No.	H	J	K	L	M	QTY. PER EMBOSS REEL (PIECES / REEL)	QTY. PER PACKING CARTON (REELS / CARTON)
◆20605-033E-02	24.00	11.50	11.60	6.00	-	4000 PIECES / REEL	5 REELS / CARTON (20000 PIECES / CARTON)
◆20605-035E-02			12.20				
◆20605-037E-02			12.80				
◆20605-039E-02			13.40				
◆20605-041E-02			14.00				
◆20605-043E-02			14.60				
◆20605-045E-02	32.00	14.20	15.20	8.00	28.40	4000 PIECES / REEL	4 REELS / CARTON (16000 PIECES / CARTON)
◆20605-047E-02			15.80				
◆20605-049E-02			16.40				
20605-051E-02			17.00				
◆20605-053E-02			17.60				
◆20605-055E-02			18.20				
◆20605-057E-02	44.00	20.20	18.80	10.00	40.40	4000 PIECES / REEL	3 REELS / CARTON (12000 PIECES / CARTON)
◆20605-059E-02			19.40				
20605-061E-02			20.00				

◆ MARK MEANS NOT AVAILABLE.



NOTES.

1. TAPING SPECIFICATION FOLLOWS JIS C 0806 (IEC 60286-3).
2. MAKE EMPTY SECTION OF LEADER AND END ON EACH END OF THE TAPE.
3. TOP TAPE SHALL NOT STICK OUT FROM EMBOSS TAPE.
4. TOP TAPE SHALL NOT COVER FEED HOLE.

NO.	DISCRIPTION	MATERIAL	FINISH , REMARKS
9	PACKING LABEL	-	-
8	REEL	PS	BLACK
7	TOP TAPE	PET t=0.062 TRANSPARENCY	ANTI-STATIC TYPE
6	EMBOSS TAPE	PS t=0.3 TRANSPARENCY	ANTI-STATIC TYPE

ANGLE	±2°	6 OVER 30 MAX.	±0.3	PROJECTION	SERIES No.	CUSTOMER COPY
6 MAX.	±0.2	30 OVER 120 MAX.	±0.5		R4	
GENERAL TOLERANCE.				TITLE	SCALE	I-PEX
DWG.	DATE			MINIFLEX® 3-BFNH LONG ACT TYPE	UNIT	
CHK.	DATE				mm	
APP.	DATE			DWG. No.	SIZE	
				20605	A3	SHEET 5/5 REV. 10