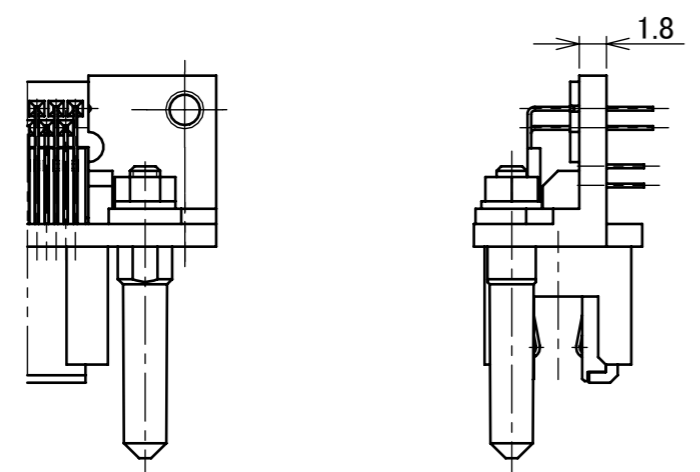
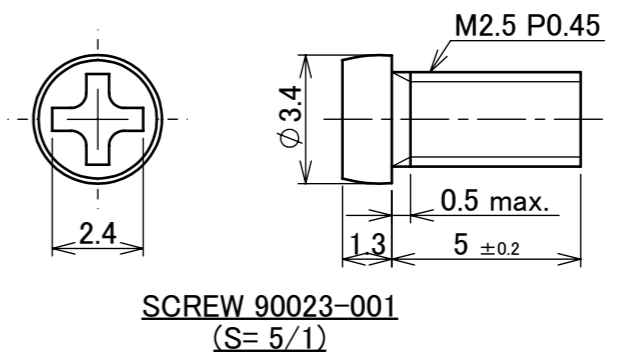
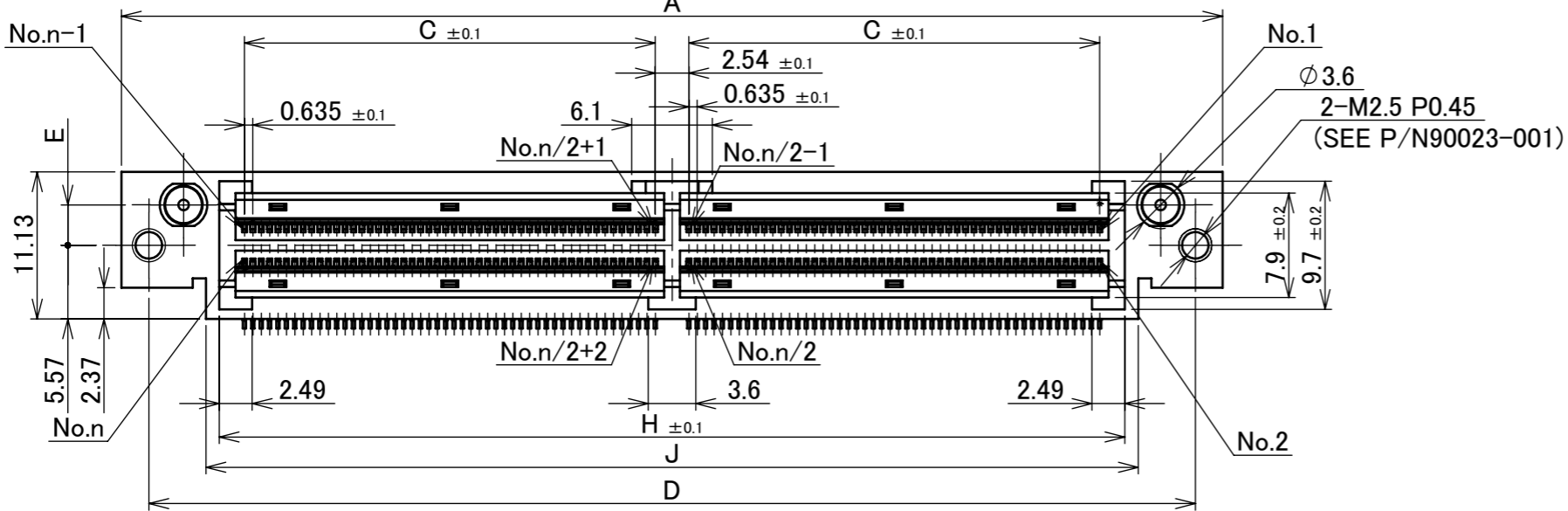
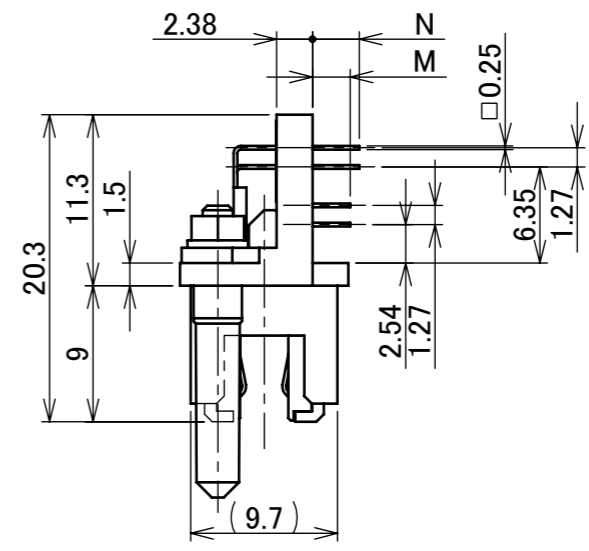
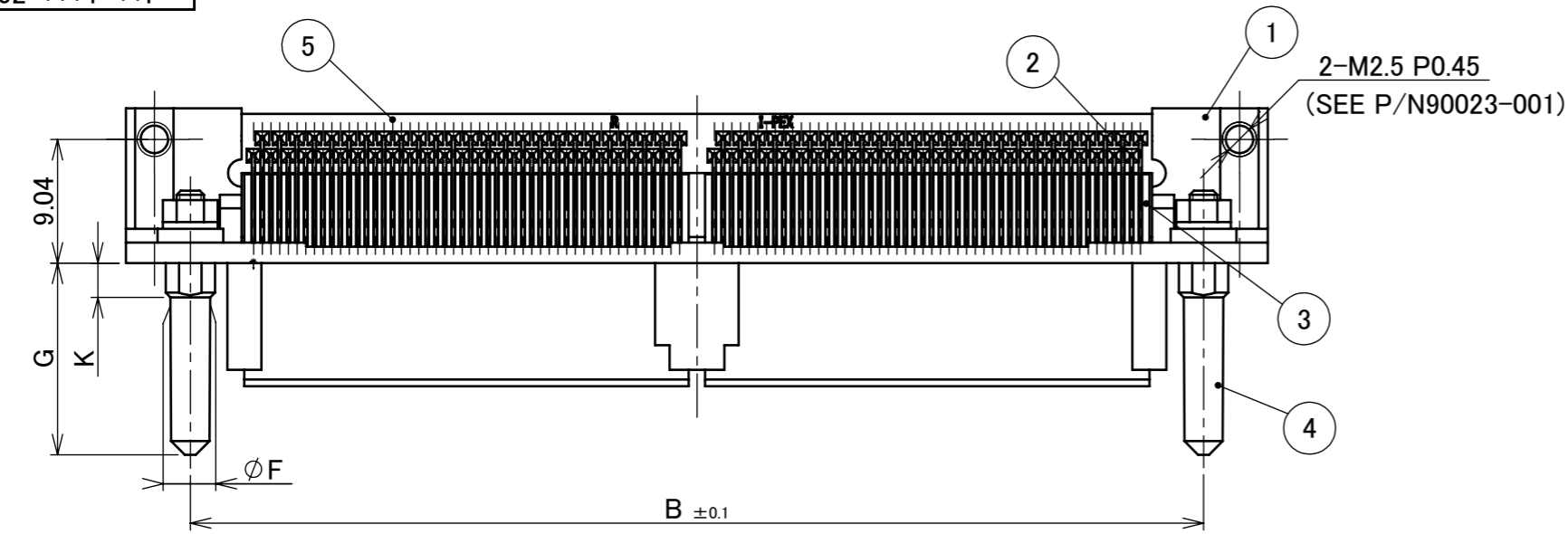


PART No.
30002-***T-***F



RoHS Compliant



P/N 30002-240T-F.01F

NOTE
1. CONNECTOR TO BE MATED: 30001, 30005, 30A12

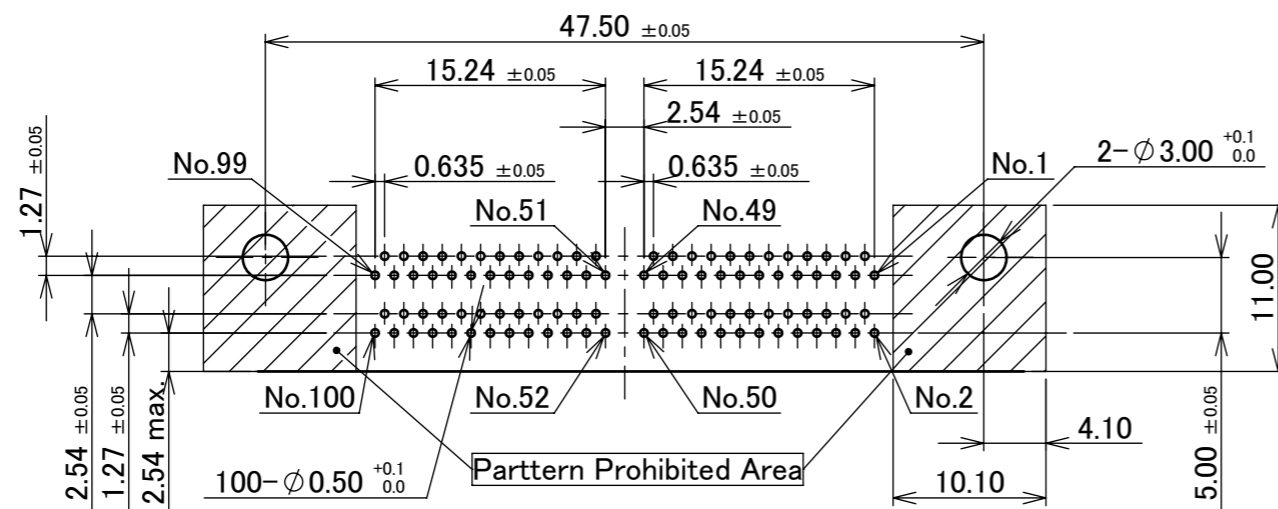
NO.	DISCRIPTION	MATERIAL	FINISH , REMARKS
5	LOCATOR PLATE	PA	BLACK UL94V-0
4	GUIDE PIN	STEEL	Ni PLATING
3	RECE INSULATOR	PPS	BLACK UL94V-0
2	RECE CONTACT	COPPER ALLOY	ALL OVER Ni 1.27 μ m MIN. CONTACT PART Au 0.05 μ m MIN.
1	RECE SHELL	Zn ALLOY	Ni PLATING

REV.	ECN	BY	DATE	APP.	APP.	ANGLE	±2°	6 OVER 30 MAX.	±0.3	PROJECTION	SERIES No.	TITLE	SCALE	UNIT	SIZE	SHEET	REV.				
29	Z220241	M.H	Mar./18/'22	Y.H	Y.H	6 MAX.	±0.2	30 OVER 120 MAX.	±0.5	⊕	R15	MINIDOCK CONNECTOR RIGHT ANGLE	2:1	mm	A3	1/7	29				
28	Z191328	IMI	Oct./01/'19	Y.S	Y.S	GENERAL TOLERANCE.				⊕	R15	MINIDOCK CONNECTOR RIGHT ANGLE	2:1	mm	A3	1/7	29				
27	Z190602	IMI	May/06/'19	TAK	TAK	GENERAL TOLERANCE.				⊕	R15	MINIDOCK CONNECTOR RIGHT ANGLE	2:1	mm	A3	1/7	29				
26	Z180831	R.H	June/27/'18	TAK	TAK	DWG.	E.Kawabe	DATE	1994/06/27	⊕	R15	MINIDOCK CONNECTOR RIGHT ANGLE	2:1	mm	A3	1/7	29				
25	Z170967	R.H	Aug./23/'17	M.T	M.T	CHK.				⊕	R15	MINIDOCK CONNECTOR RIGHT ANGLE	2:1	mm	A3	1/7	29				
24	Z170167	R.H	Apr./06/'17	M.T	M.T	APP.				⊕	R15	MINIDOCK CONNECTOR RIGHT ANGLE	2:1	mm	A3	1/7	29				
REVISION RECORD					Y.Fukuda	DWG. No.		30002	TITLE		MINIDOCK CONNECTOR RIGHT ANGLE	SCALE	2:1	UNIT	mm	SIZE	A3	SHEET	1/7	REV.	29

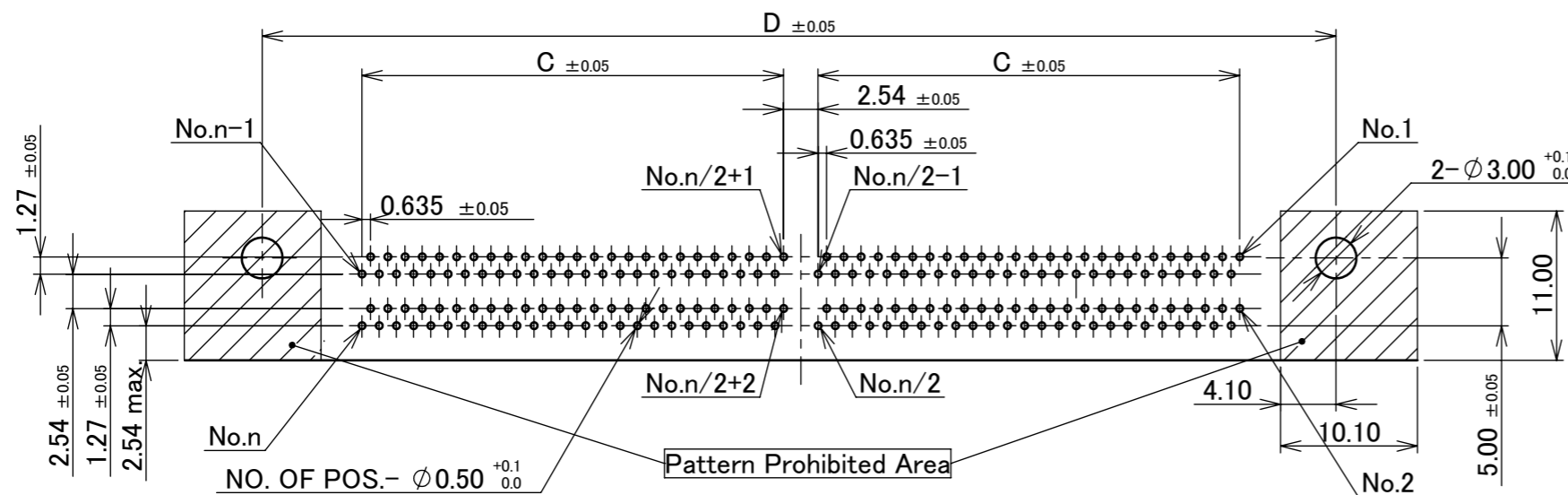
ITEMS	SPECIFICATION
RATING VOLTAGE	250V AC (PER CONTACT PIN)
RATING AMPERAGE (FOR CONTACT)	0.5A AC/DC (PER CONTACT PIN)
OPERATING TEMPERATURE	208~358K(-65°C~+85°C)
OPERATING HUMIDITY	85% MAX.(NON-CONDENSING)
CONTACT RESISTANCE (FOR CONTACT)	INITIAL : 70mohm MAX. / AFTER TEST : \triangleleft 25mohm MAX.
INSULATION RESISTANCE	INITIAL : 10,000Mohm MIN. / AFTER TEST : 1,000Mohm MIN.
DIELECTRIC WITHSTANDING VOLTAGE	AC500V 1min
DURABILITY	5,000 CYCLES
MATING FORCE (INITIAL)	0.9N/pos. MAX.
UNMATING FORCE (AFTER TEST)	0.059N/pos. MIN.
COPLANARITY	-
PRODUCT SPECIFICATION	PRS-1011
TEST REPORT	TR-9020
PACKING STANDARD	300-015
INSTRUCTION MANUAL	-
APPEARANCE CRITERIA No.	QLS-A***

ANGLE	$\pm 2^\circ$	6 OVER 30 MAX.	± 0.3	PROJECTION 	SERIES No. R15	CUSTOMER COPY		
6 MAX.	± 0.2	30 OVER 120 MAX.	± 0.5					
GENERAL TOLERANCE.				TITLE MINIDOCK CONNECTOR RIGHT ANGLE	SCALE			
DWG.	DATE							
CHK.								
APP.								
				DWG. No.	30002	SIZE	SHEET	REV.
						A3	2/7	29

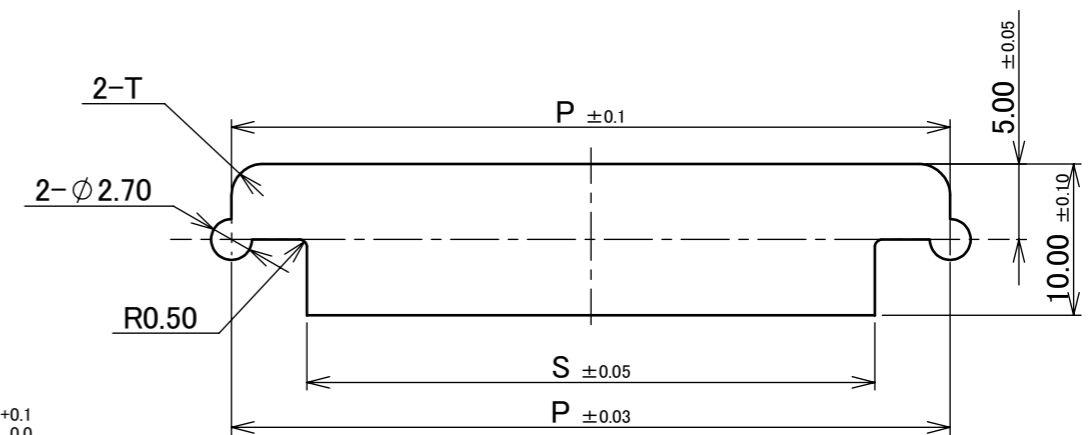
	POS.	A	B	C	D	E	F	G	H	J	K	M	N	P	S	T	NOTE
30002-100T-F	100P	51.65	42.25	15.24	47.50	3.06	ϕ 2.9	14.00	37.35	38.85	2.50	2.8	2.8	47.52	37.55	R2.1	WITHOUT SCREW
30002-120T-F	120P	58.00	48.60	18.415	53.85				43.70	45.20				53.85	43.90		
30002-160T-F	160P	73.70	60.81	24.765	66.68	2.77	ϕ 3.6	19.00	56.00	57.90	5.30	2.5	3.1	66.68	56.20	R2.3	
30002-200T-F	200P	83.40	74.00	31.115	79.25				68.58	70.60				79.25	69.10		
30002-240T-F	240P	96.10	86.70	37.465	91.95	3.06	ϕ 2.9	14.00	81.80	83.30	2.50	2.8	2.8	91.95	82.00	R2.1	WITH SCREWS
30002-100T-01F	100P	51.65	42.25	15.24	47.50				37.35	38.85				47.52	37.55		
30002-120T-01F	120P	58.00	48.60	18.415	53.85				43.70	45.20				53.85	43.90		
30002-160T-01F	160P	73.70	60.81	24.765	66.68	2.77	ϕ 3.6	19.00	56.00	57.90	5.30	2.5	3.1	66.68	56.20	R2.3	
30002-200T-01F	200P	83.40	74.00	31.115	79.25	3.06	ϕ 2.9	14.00	68.58	70.60	2.50	2.5	3.1	79.25	69.10	R2.1	
30002-240T-01F	240P	96.10	86.70	37.465	91.95	3.06	ϕ 2.9	14.00	81.80	83.30	5.30			91.95	82.00		
30002-160T-02F	160P	73.70	60.81	24.765	66.68	2.77	ϕ 3.6		56.00	57.90				66.68	56.20	R2.3	



RECOMMENDED FOOTPRINT PATTERN $t=1.6 \pm 0.1$ (100P ONLY)

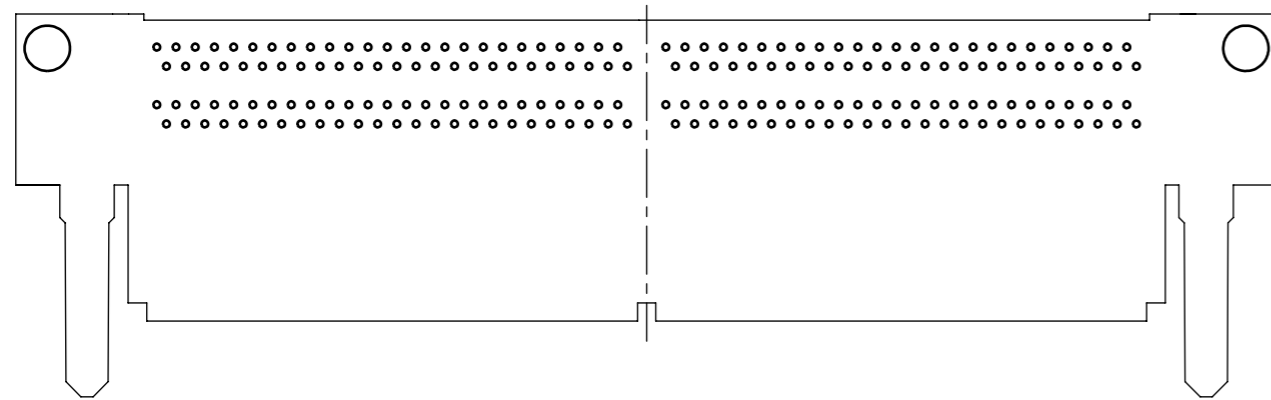


RECOMMENDED FOOTPRINT PATTERN $t=1.6 \pm 0.1$ (OTHERS)

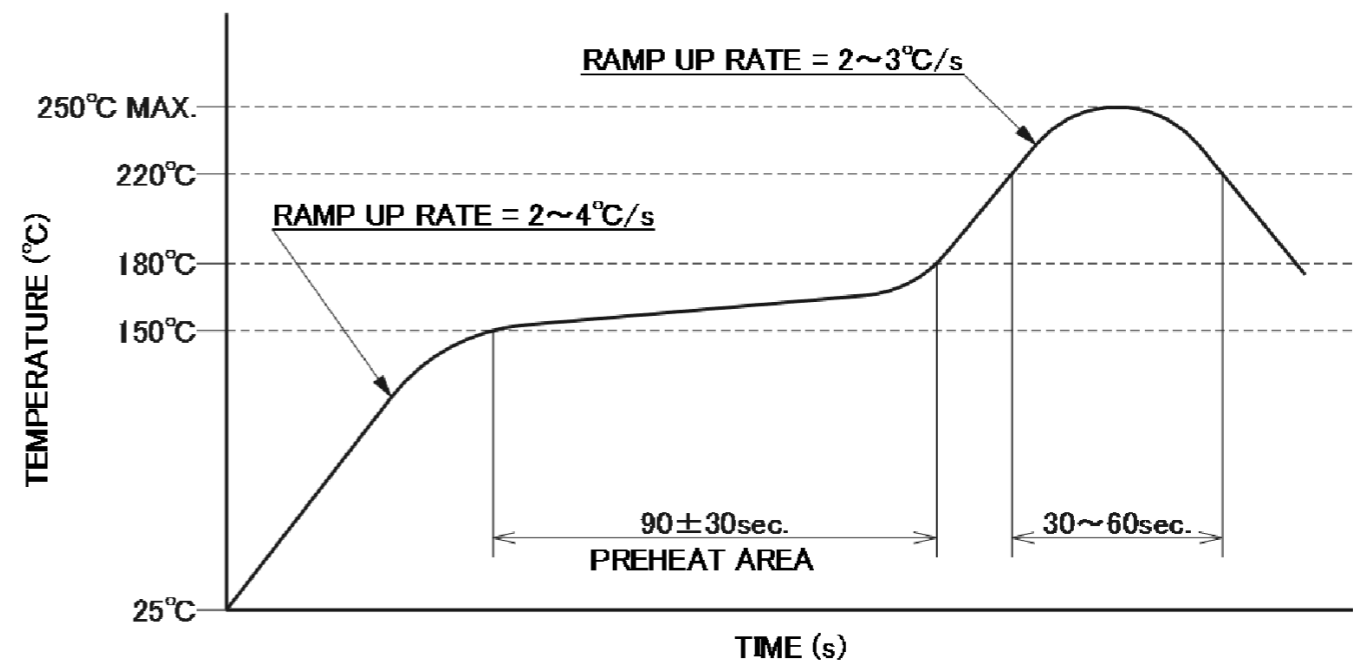


RECOMMENDED OPENING FOR MOUNTING BRACKET

ANGLE	$\pm 2^\circ$	6 OVER 30 MAX.	± 0.3	PROJECTION	SERIES No.	CUSTOMER COPY	
	6 MAX.	± 0.2	30 OVER 120 MAX.	± 0.5	R15		
GENERAL TOLERANCE.				TITLE	SCALE	I-PEX	
DWG.	DATE			MINIDOCK CONNECTOR RIGHT ANGLE	2:1		
CHK.					UNIT		
APP.				DWG. No.	30002	SIZE	SHEET
						A3	3/7
							REV.
							29



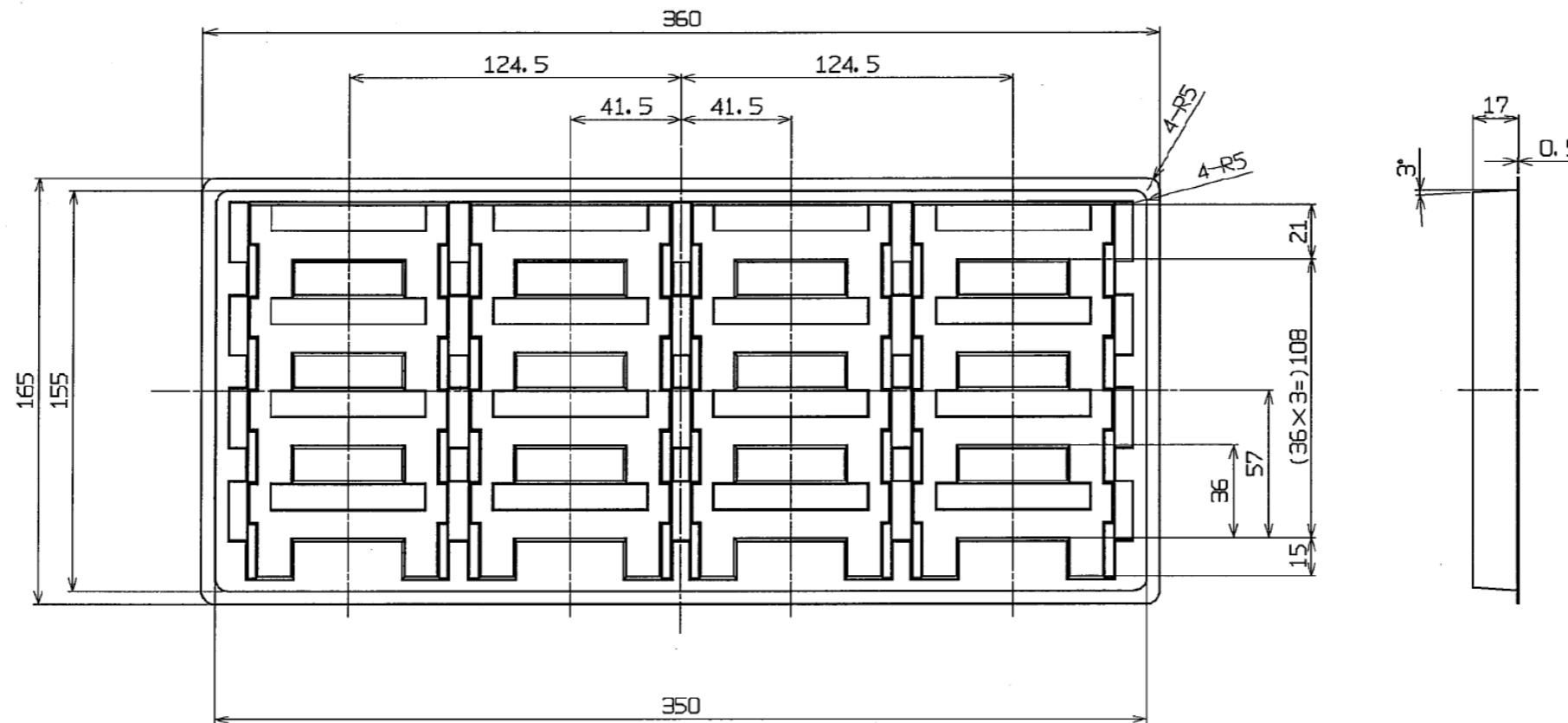
CONNECTOR ON RECOMMENDED FOOTPRINT PATTERN



REFLOW TEMPERATURE PROFILE
 SENJU METAL INDUSTRY CO., LTD. : M705-SHF(Sn96.5 Ag3.0 Cu0.5)

ANGLE	±2°	6 OVER 30 MAX.	±0.3	PROJECTION 	SERIES No. R15	CUSTOMER COPY		
6 MAX.	±0.2	30 OVER 120 MAX.	±0.5					
GENERAL TOLERANCE.				TITLE MINIDOCK CONNECTOR RIGHT ANGLE	SCALE 2:1	UNIT I-PEX		
DWG.	DATE							
CHK.								
APP.								
				DWG. No.	30002	SIZE A3	SHEET 4/7	REV. 29

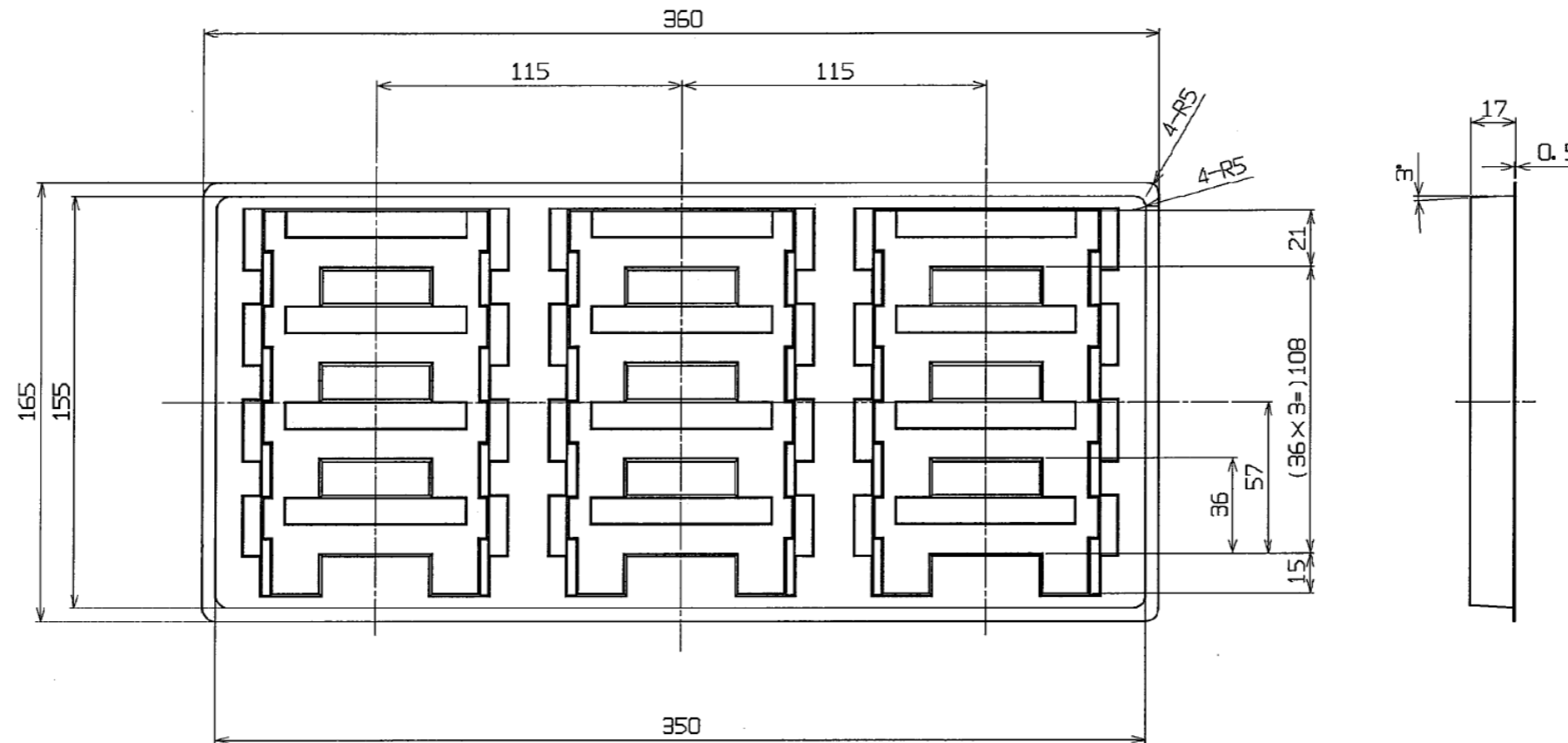
PART NO.	Pos.	QTY./ TRAY	QTY./ SHIPPING CARTON	QTY./ PACKING CARTON
30002-160T-F	160P	16	16 × 5 = 80	80 × 4 = 320
30002-160T-0*F				



NO.	DISCRIPTION	MATERIAL	FINISH , REMARKS
6	TRAY	PVC	-

ANGLE	±2°	6 OVER 30 MAX.	±0.3	PROJECTION ⊕	SERIES No. R15	CUSTOMER COPY		
6 MAX.	±0.2	30 OVER 120 MAX.	±0.5					
GENERAL TOLERANCE.				TITLE		SCALE	I-PEX	
DWG.	DATE			MINIDOCK CONNECTOR RIGHT ANGLE		1:X		
CHK.						UNIT		
APP.				DWG. No. 30002		mm		
						SIZE	SHEET	REV.
						A3	5/7	29

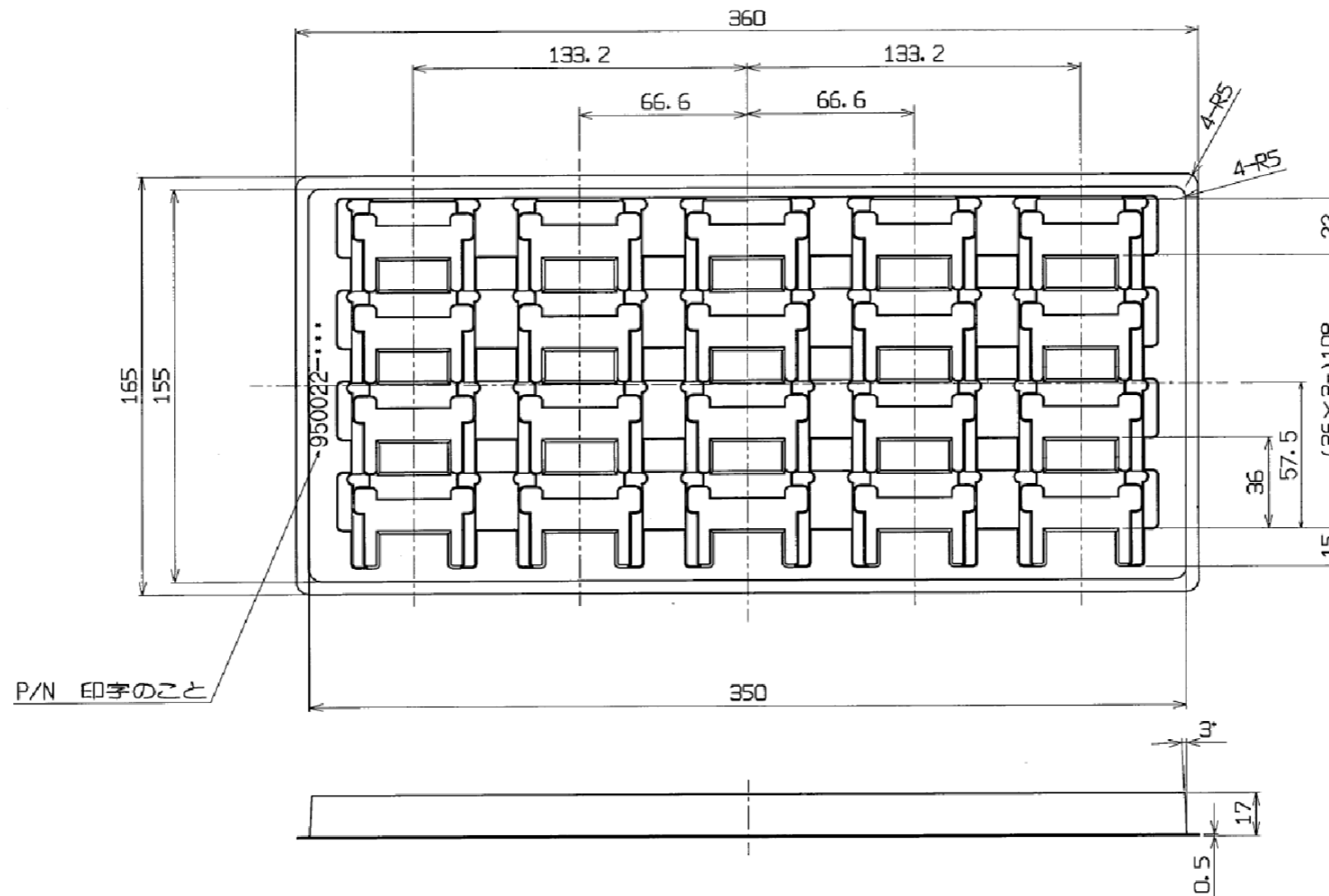
PART NO.	Pos.	QTY./ TRAY	QTY./ SHIPPING CARTON	QTY./ PACKING CARTON
30002-200T-F	200P	12	12 × 5 = 60	60 × 4 = 240
30002-200T-01F				
30002-240T-F	240P	12	12 × 5 = 60	60 × 4 = 240
30002-240T-01F				



7	TRAY	PVC	-
NO.	DISCRIPTION	MATERIAL	FINISH , REMARKS
7	TRAY	PVC	-

ANGLE	±2°	6 OVER 30 MAX.	±0.3	PROJECTION ⊕	SERIES No. R15	CUSTOMER COPY		
6 MAX.	±0.2	30 OVER 120 MAX.	±0.5					
GENERAL TOLERANCE.				TITLE MINIDOCK CONNECTOR RIGHT ANGLE	SCALE 1:X UNIT mm	I-PEX		
DWG.	DATE							
CHK.								
APP.								
				DWG. No.	30002	SIZE A3	SHEET 6/7	REV. 29

PART NO.	Pos.	QTY./ TRAY	QTY./ SHIPPING CARTON	QTY./ PACKING CARTON
30002-100T-F	100P	20	20 × 5 = 100	100 × 4 = 400
30002-100T-01F				
30002-120T-F	120P	20	20 × 5 = 100	100 × 4 = 400
30002-120T-01F				



8	TRAY	80P: PS 100P 120P: PVC	
NO.	DISCRIPTION	MATERIAL	FINISH , REMARKS

ANGLE	±2°	6 OVER 30 MAX.	±0.3	PROJECTION ⊕	SERIES No. R15	CUSTOMER COPY
6 MAX.	±0.2	30 OVER 120 MAX.	±0.5			
GENERAL TOLERANCE.				TITLE MINIDOCK CONNECTOR RIGHT ANGLE	SCALE 1:X UNIT mm	I-PEX
DWG.	DATE					
CHK.						
APP.						
DWG. No. 30002				SIZE A3	SHEET 7/7	REV. 29