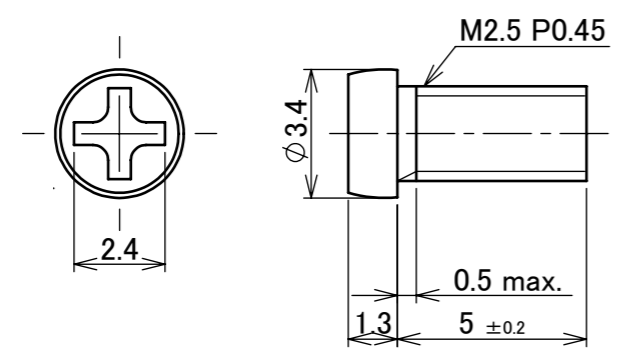
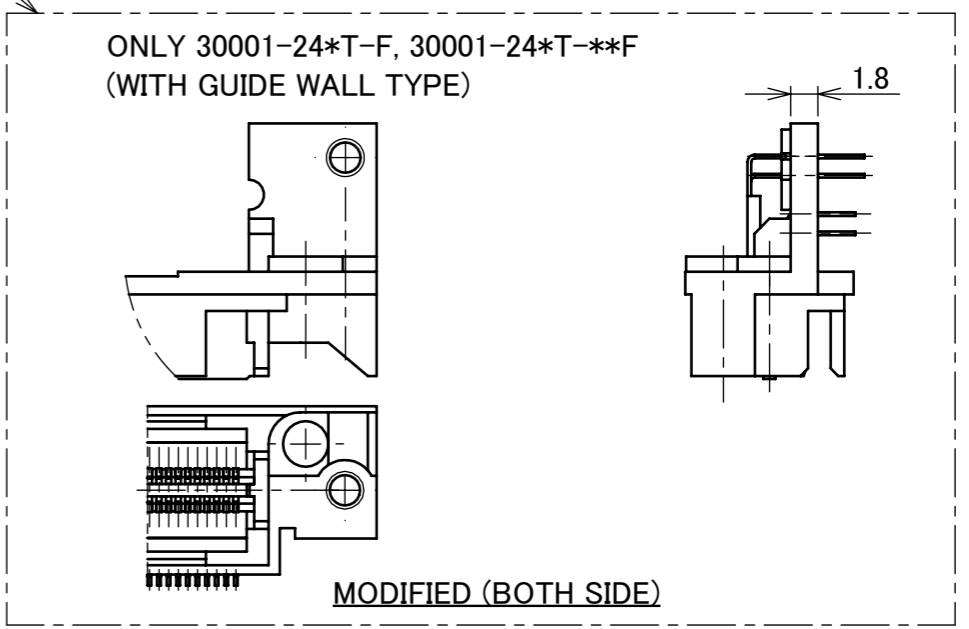
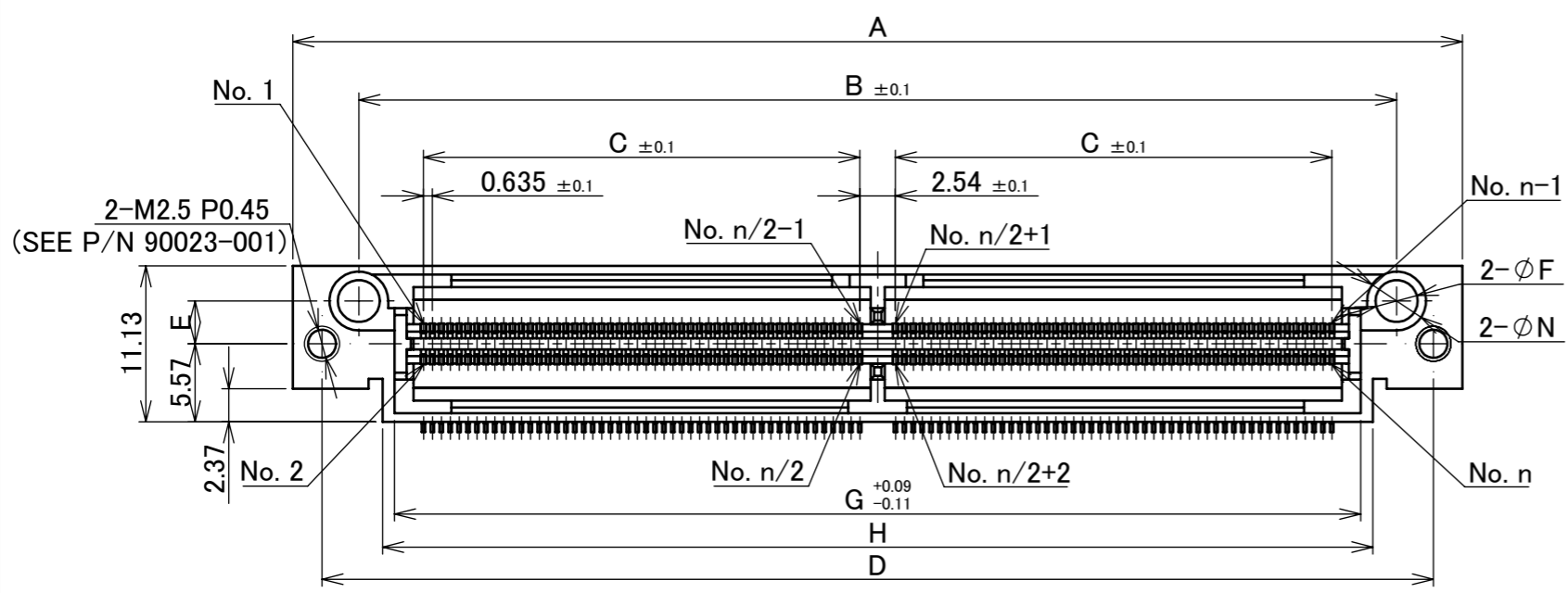
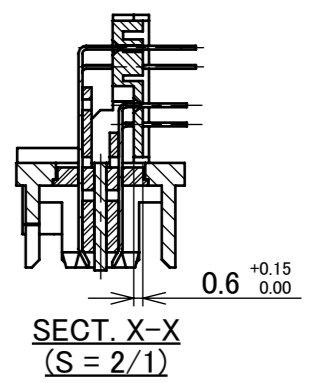
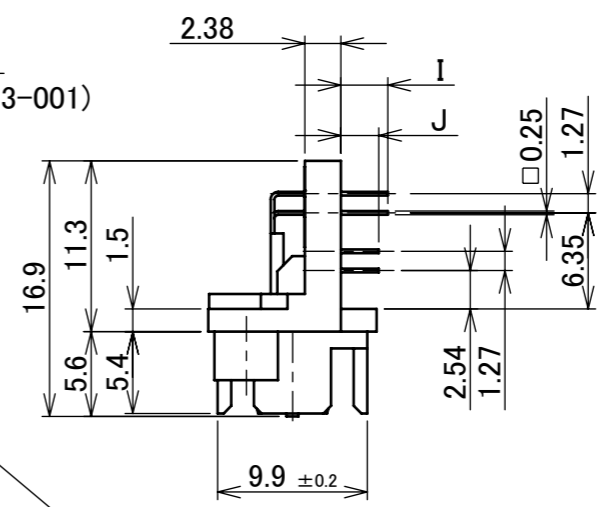
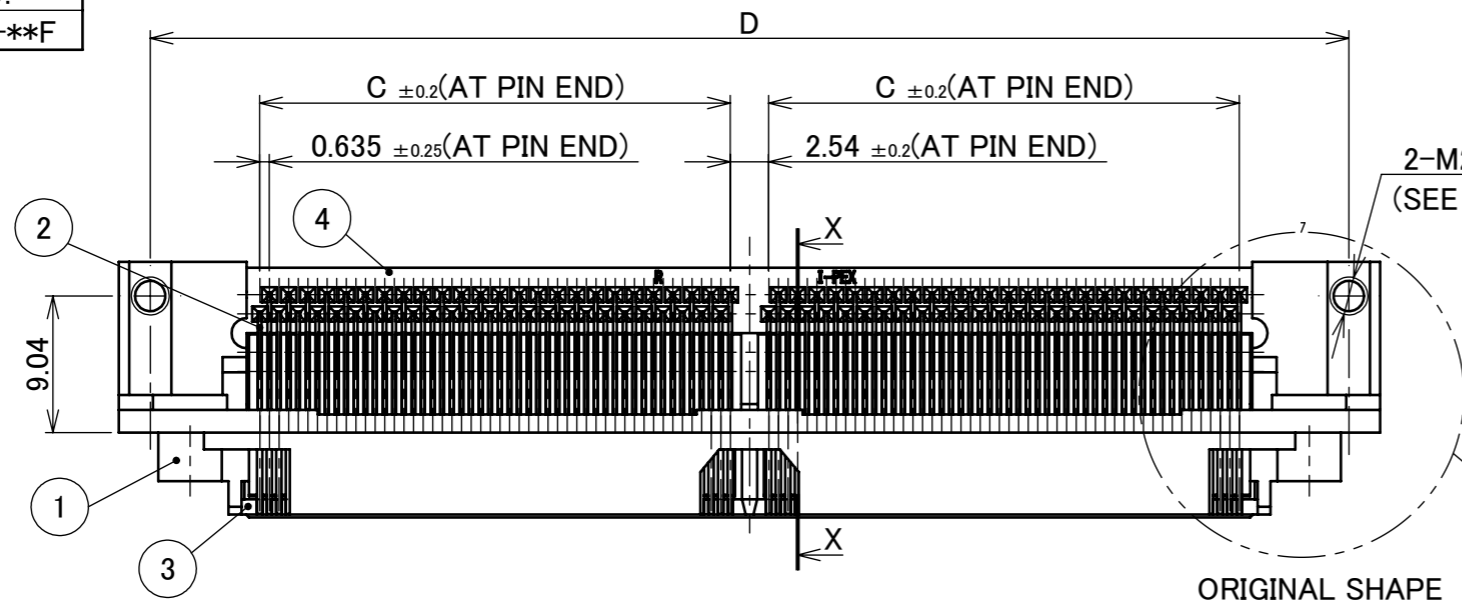


PART NO.  
30001-\*\*-T-\*\*-F



RoHS Compliant



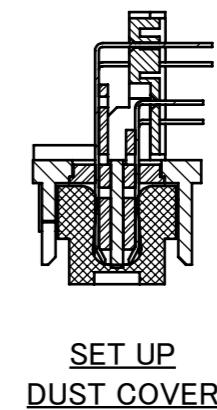
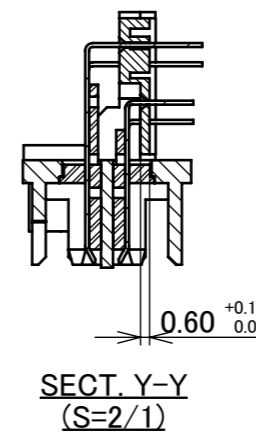
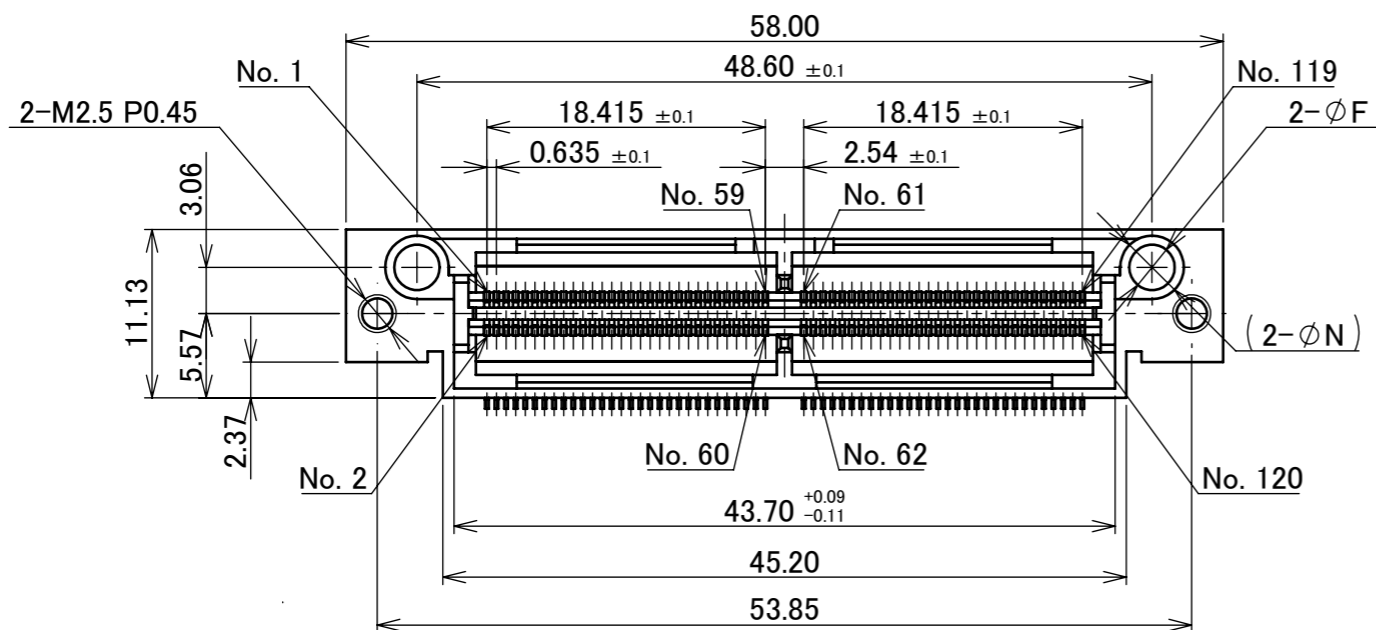
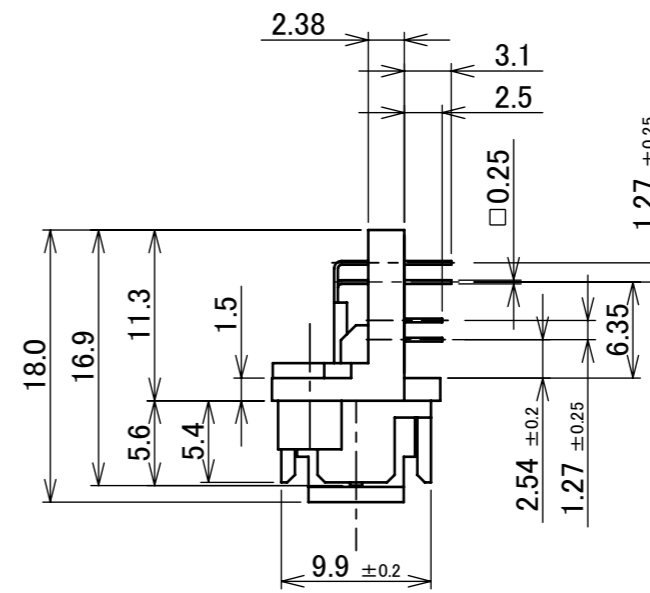
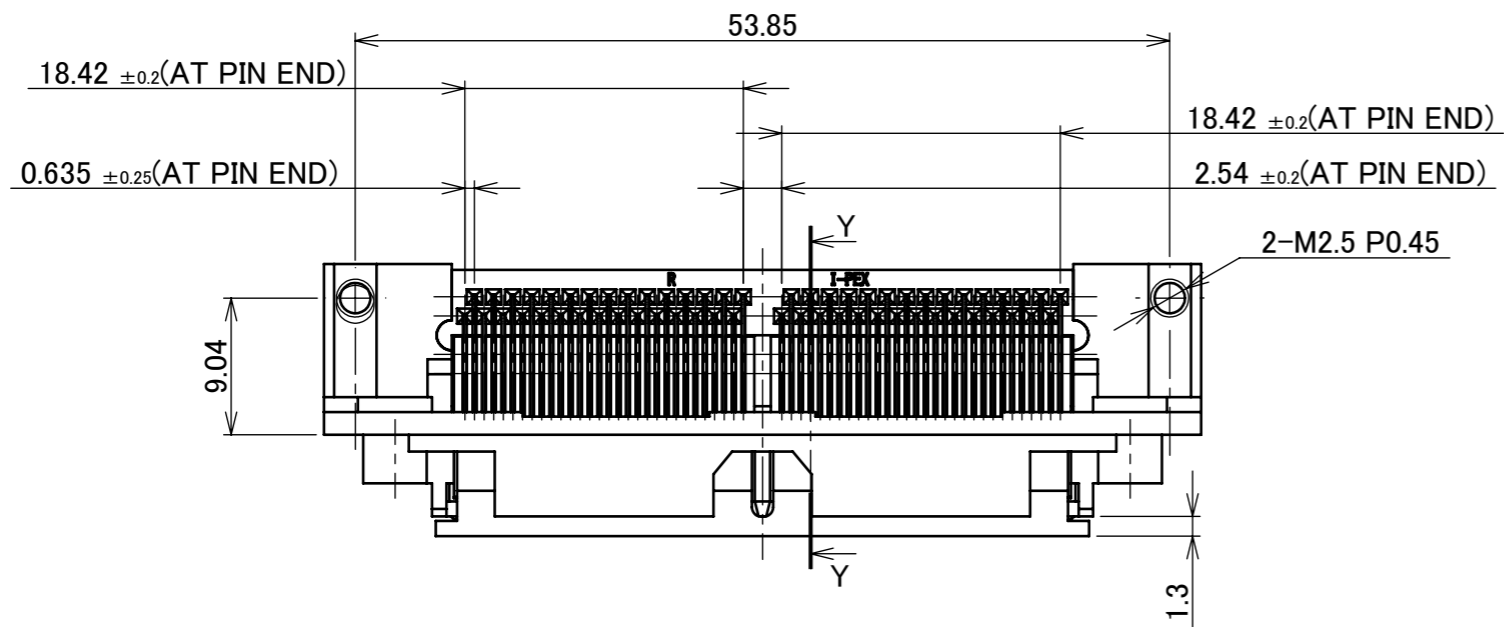
4	LOCATOR PLATE	PA	BLACK UL94V-0
3	PLUG INSULATOR	PPS	BLACK UL94V-0
2	PLUG CONTACT	COPPER ALLOY	ALL OVER Ni 1.27 μm MIN. CONTACT PART Au 0.05 μm MIN.
1	PLUG SHELL	Zn ALLOY	Ni PLATING
NO.	DISCRIPTION	MATERIAL	FINISH , REMARKS

30001-\*\*-0T-\*\*-F  
01, 02: WITH SCREW 03: WITH DUST COVER  
EXAMPLE  
POS.10 : 100P  
20 : 200P

NOTES  
1. CONNECTOR TO BE MATED: 30002, 30006, 30007, 30009, 30011

33	Z220241	M.H	Mar./18/'22	Y.H	ANGLE	±2°	6 OVER 30 MAX.	±0.3	PROJECTION ⊕	SERIES No. R11	CUSTOMER COPY		
32	Z191328	IMI	Oct./01/'19	Y.S	6 MAX.	±0.2	30 OVER 120 MAX.	±0.5					
31	Z190602	IMI	May/06/'19	TAK	GENERAL TOLERANCE.				TITLE MINIDOCK CONNECTOR RIGHT ANGLE PLUG	SCALE 2:1	UNIT mm	SHEET 1/8	REV. 33
30	Z180831	R.H	June/27/'18	TAK	DWG.	DATE		1994/06/27					
29	Z170967	R.H	Aug./23/'17	M.T	E.Kawabe								
28	Z170167	R.H	Apr./06/'17	M.T	CHK.								
REV.	ECN	BY	DATE	APP.	APP.	Y.Fukuda		DWG. No.	30001	SIZE	SHEET	REV.	

PART No.  
30001-120T-03F

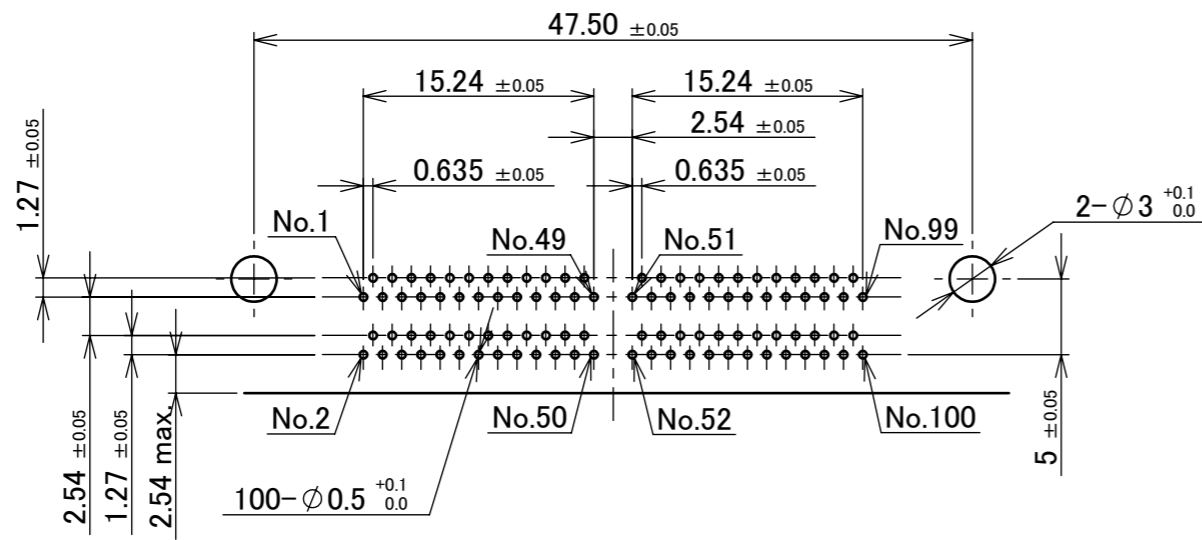


ANGLE	±2°	6 OVER 30 MAX.	±0.3	PROJECTION	SERIES No.	CUSTOMER COPY	
	6 MAX.	±0.2	30 OVER 120 MAX.	±0.5	R11		
GENERAL TOLERANCE.				TITLE	SCALE	I-PEX	
DWG.	DATE			MINIDOCK CONNECTOR RIGHT ANGLE PLUG	2:1		
CHK.					UNIT		
APP.					mm		
				DWG. No.	SIZE	SHEET	REV.
				30001	A3	2/8	33

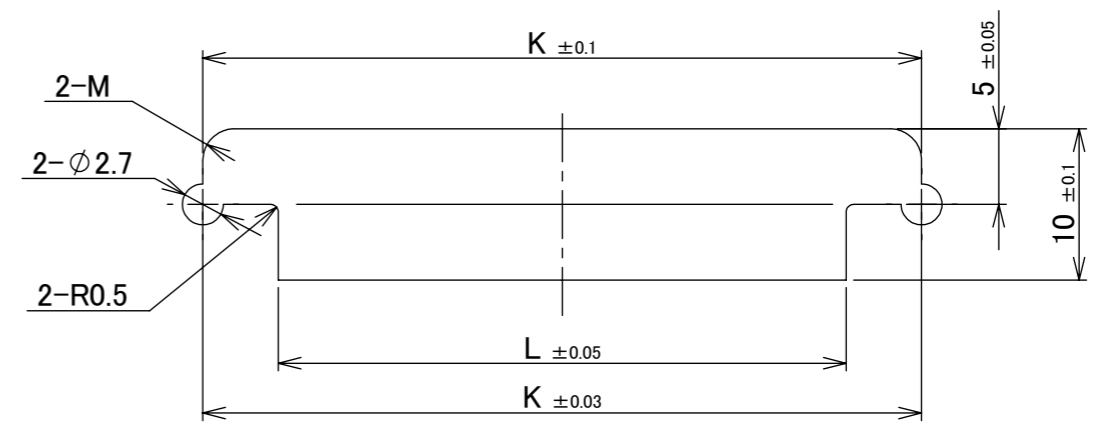
ITEMS	SPECIFICATION
RATING VOLTAGE	250V AC (PER CONTACT PIN)
RATING AMPERAGE (FOR CONTACT)	0.5A AC/DC (PER CONTACT PIN)
OPERATING TEMPERATURE	208~358K(-65°C~+85°C)
OPERATING HUMIDITY	85% MAX.(NON-CONDENSING)
CONTACT RESISTANCE (FOR CONTACT)	INITIAL : 70mohm MAX. / AFTER TEST : $\triangle$ 25mohm MAX.
INSULATION RESISTANCE	INITIAL : 10,000Mohm MIN. / AFTER TEST : 1,000Mohm MIN.
DIELECTRIC WITHSTANDING VOLTAGE	AC500V 1min
DURABILITY	5,000 CYCLES
MATING FORCE (INITIAL)	0.9N/pos. MAX.
UNMATING FORCE (AFTER TEST)	0.059N/pos. MIN.
COPLANARITY	-
PRODUCT SPECIFICATION	PRS-1011
TEST REPORT	TR-9020
PACKING STANDARD	300-014
INSTRUCTION MANUAL	-
APPEARANCE CRITERIA No.	QLS-A***

ANGLE	$\pm 2^\circ$	6 OVER 30 MAX.	$\pm 0.3$	PROJECTION 	SERIES No. R11	CUSTOMER COPY		
6 MAX.	$\pm 0.2$	30 OVER 120 MAX.	$\pm 0.5$					
GENERAL TOLERANCE.				TITLE MINIDOCK CONNECTOR RIGHT ANGLE PLUG	SCALE	<b>I-PEX</b>		
DWG.	DATE							
CHK.								
APP.								
				DWG. No.	30001	SIZE A3	SHEET 3/8	REV. 33

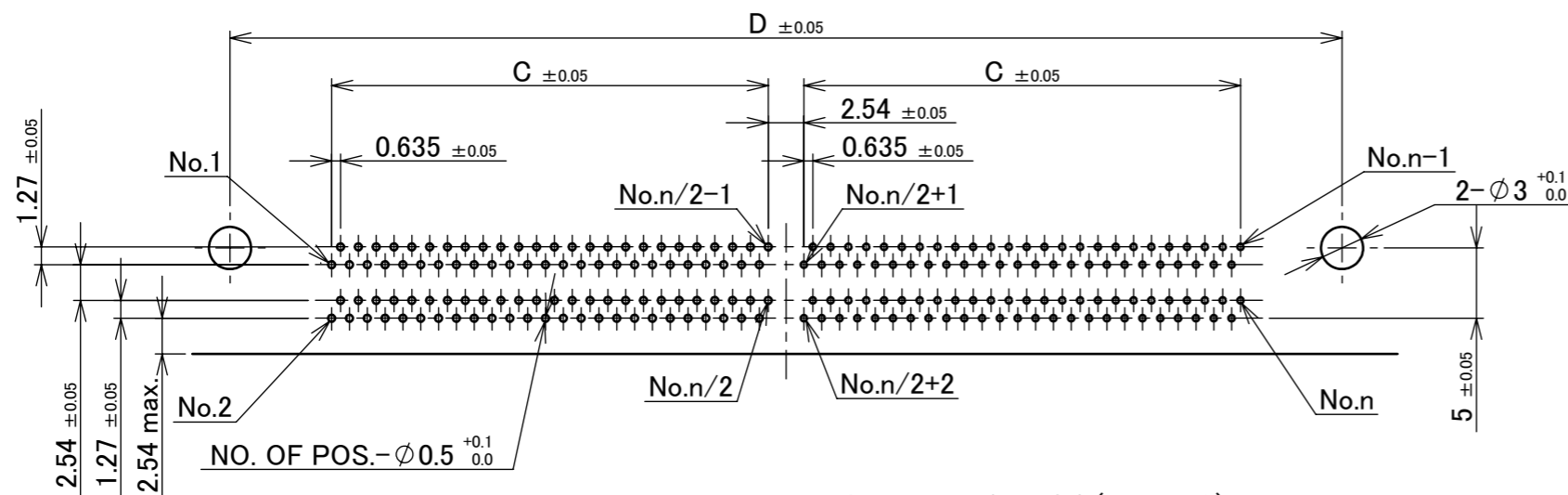
PART NO.	NO.OF POS.	A	B	C	D	E	F	G	H	I	J	K	L	M	N	SCREW	DUST COVER	NOTE
30001-100T-F	100P	51.65	42.25	15.24	47.50	3.06	φ 3.0	37.35	38.85	2.5	2.1	47.52	37.55	R2.1	φ 4.2	WITHOUT SCREW	WITHOUT DUST COVER	-
30001-120T-F	120P	58.00	48.60	18.415	53.85			43.70	45.20			53.85	43.90					
30001-160T-F	160P	73.70	60.81	24.765	66.68	2.77	φ 3.7	56.00	57.90	3.1	2.5	66.68	56.20	R2.3	φ 4.7			
30001-200T-F	200P	83.40	74.00	31.115	79.25			69.10	70.60			79.25	69.10					
30001-240T-F	240P	96.10	86.70	37.465	91.95	3.06	φ 3.0	81.80	83.30	2.5	2.1	91.95	82.00	R2.1	φ 4.2			
30001-100T-01F	100P	51.65	42.25	15.24	47.50			37.35	38.85			47.52	37.55					
30001-120T-01F	120P	58.00	48.60	18.415	53.85	2.77	φ 3.7	56.00	57.90	3.1	2.5	66.68	56.20	R2.3	φ 4.7			
30001-160T-01F	160P	73.70	60.81	24.765	66.68			69.10	70.60			79.25	69.10					
30001-200T-01F	200P	83.40	74.00	31.115	79.25	3.06	φ 3.0	81.80	83.30	2.5	2.1	91.95	82.00	R2.1	φ 4.2			
30001-240T-02F	240P	96.10	86.70	37.465	91.95			43.70	45.20			53.85	43.90					
30001-120T-03F	120P	58.00	48.60	18.415	53.85											WITH SCREW (P/N90023-001)	WITH DUST COVER	-



RECOMMENDED FOOTPRINT PATTERN t=1.6±0.1 (100P ONLY)

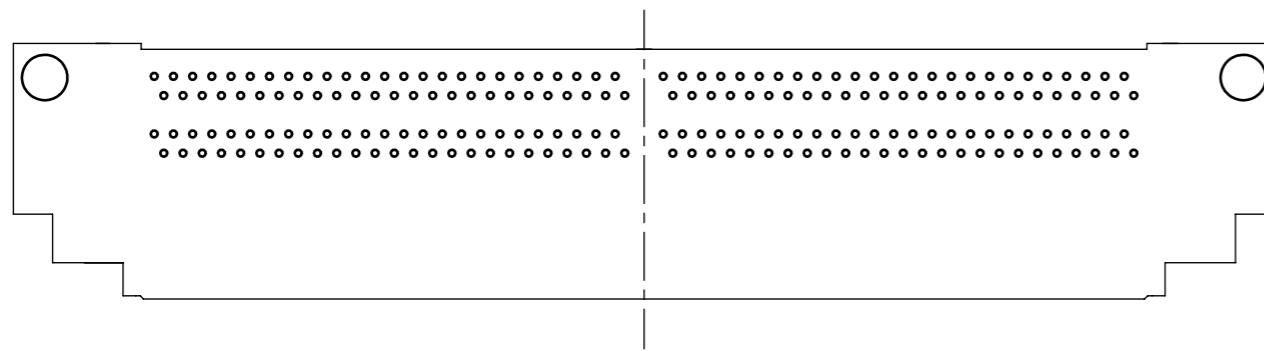


RECOMMENDED OPENING FOR MOUNTING BRACKET

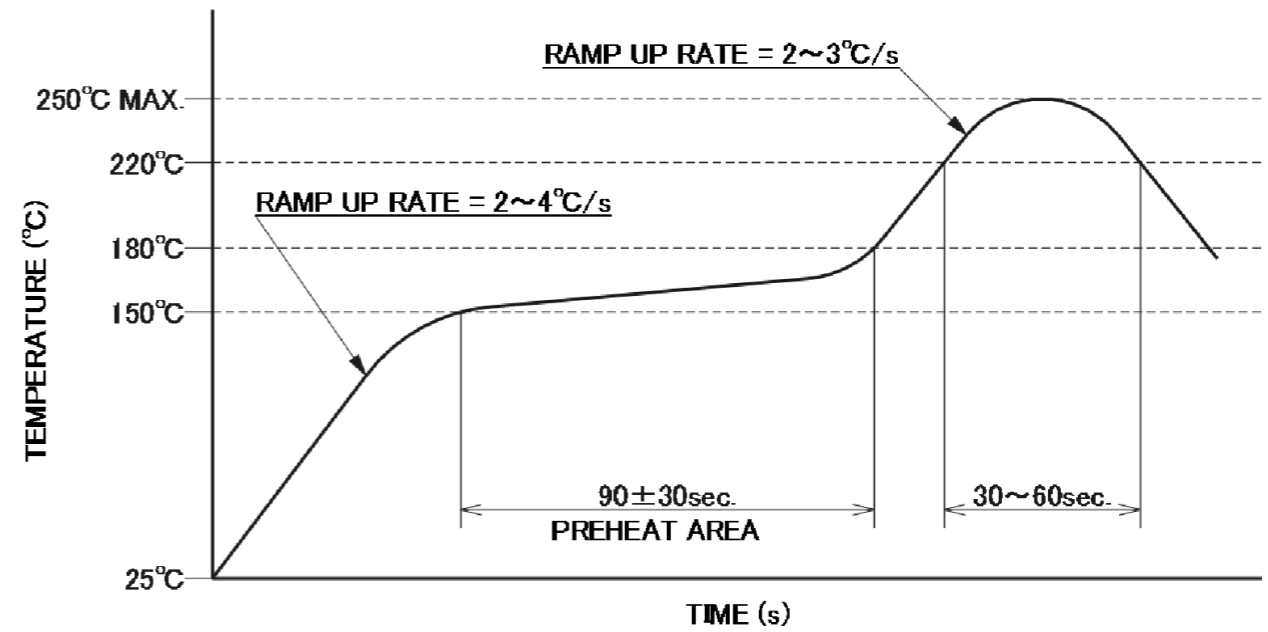


RECOMMENDED FOOTPRINT PATTERN t=1.6±0.1 (OTHERS)

ANGLE	±2°	6 OVER 30 MAX.	±0.3	PROJECTION	SERIES No.	CUSTOMER COPY	
6 MAX.	±0.2	30 OVER 120 MAX.	±0.5		R11	I-PEX	
GENERAL TOLERANCE.				TITLE	SCALE	REV.	
DWG.	DATE			MINIDOCK CONNECTOR RIGHT ANGLE PLUG	2:1	33	
CHK.					UNIT	4/8	
APP.					mm	33	
				DWG. No.	SIZE	SHEET	REV.
				30001	A3	4/8	33



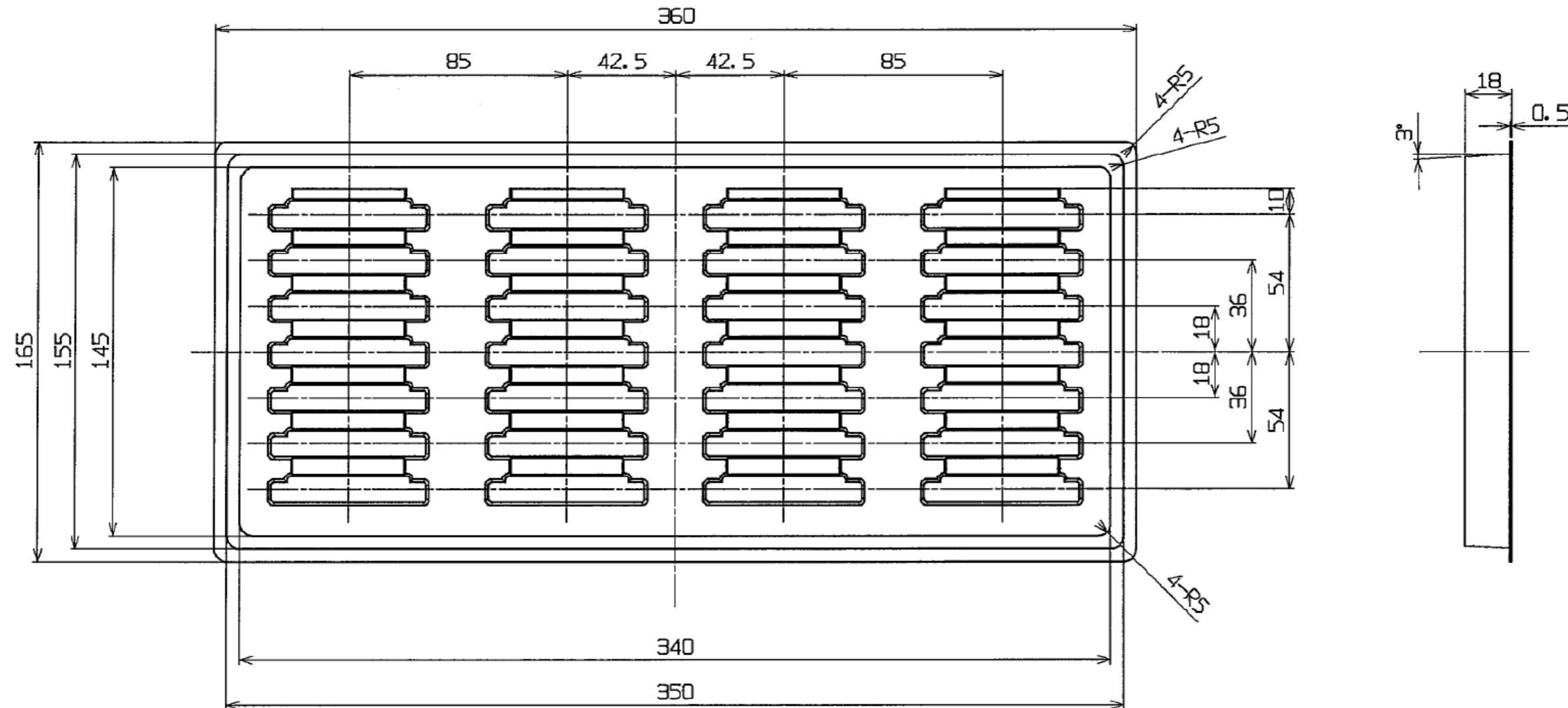
CONNECTOR ON RECOMMENDED FOOTPRINT PATTERN



REFLOW TEMPERATURE PROFILE  
 SENJU METAL INDUSTRY CO., LTD. : M705-SHF(Sn96.5 Ag3.0 Cu0.5)

ANGLE	±2°	6 OVER 30 MAX.	±0.3	PROJECTION 	SERIES No.	CUSTOMER COPY		
6 MAX.	±0.2	30 OVER 120 MAX.	±0.5		R11	SCALE	<b>I-PEX</b>	
GENERAL TOLERANCE.				TITLE	2:1			
DWG.	DATE			MINIDOCK CONNECTOR RIGHT ANGLE PLUG	UNIT			
CHK.					mm			
APP.					DWG. No.	SIZE	SHEET	REV.
				30001	A3	5/8	33	

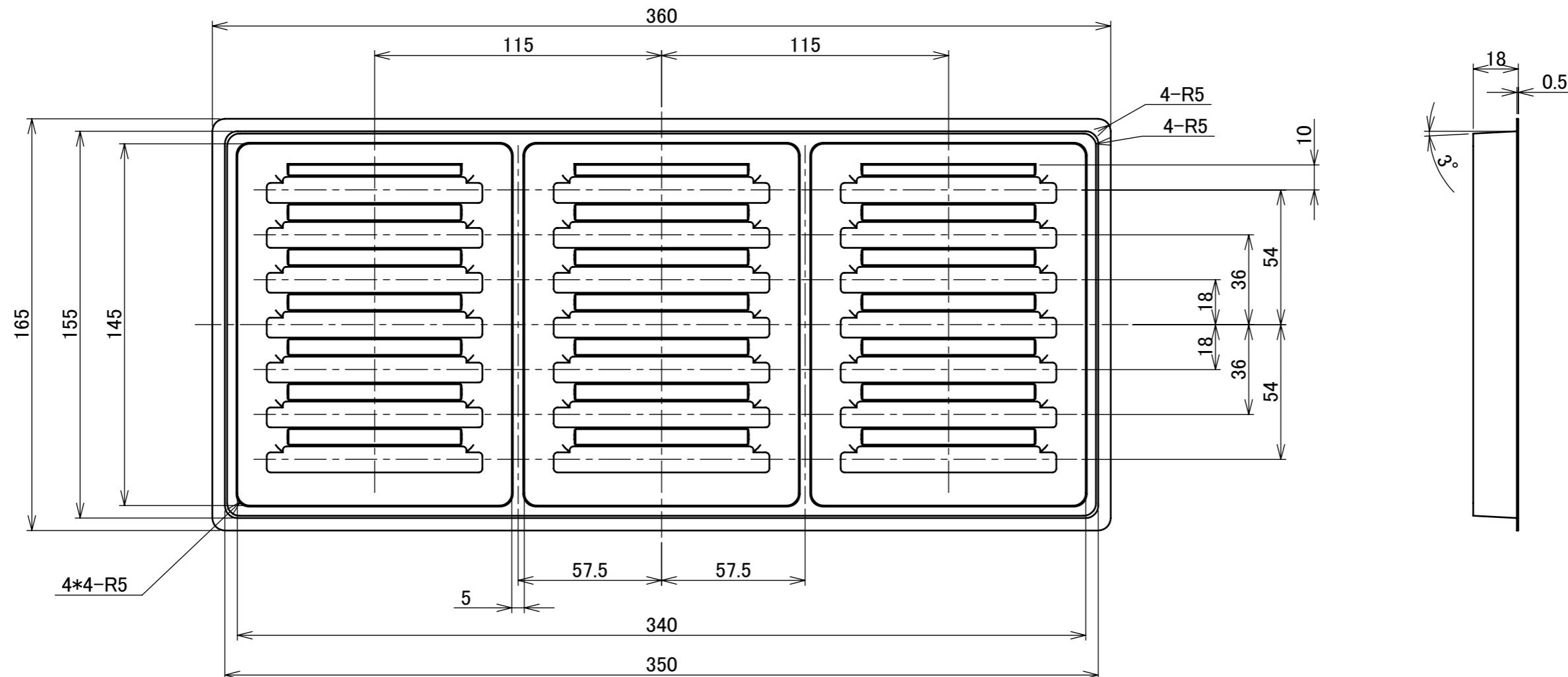
PART NO.	Pos.	QTY./ TRAY	QTY./ SHIPPING CARTON	QTY./PACKING CARTON
30001-120T-F	120P	28	28 × 4 = 112	112 × 4 = 448
30001-120T-0*F				
30001-160T-F	160P	28	28 × 4 = 112	112 × 4 = 448
30001-160T-0*F				



5	TRAY	PVC	-
NO.	DISCRIPTION	MATERIAL	FINISH , REMARKS

ANGLE	±2°	6 OVER 30 MAX.	±0.3	PROJECTION ⊕	SERIES No. R11	CUSTOMER COPY
	6 MAX.	±0.2	30 OVER 120 MAX.			
GENERAL TOLERANCE.				TITLE		SCALE
DWG.	DATE			MINIDOCK CONNECTOR RIGHT ANGLE PLUG		1:X
CHK.						UNIT
APP.				DWG. No. 30001		mm
				SIZE	SHEET	REV.
				A3	6/8	33

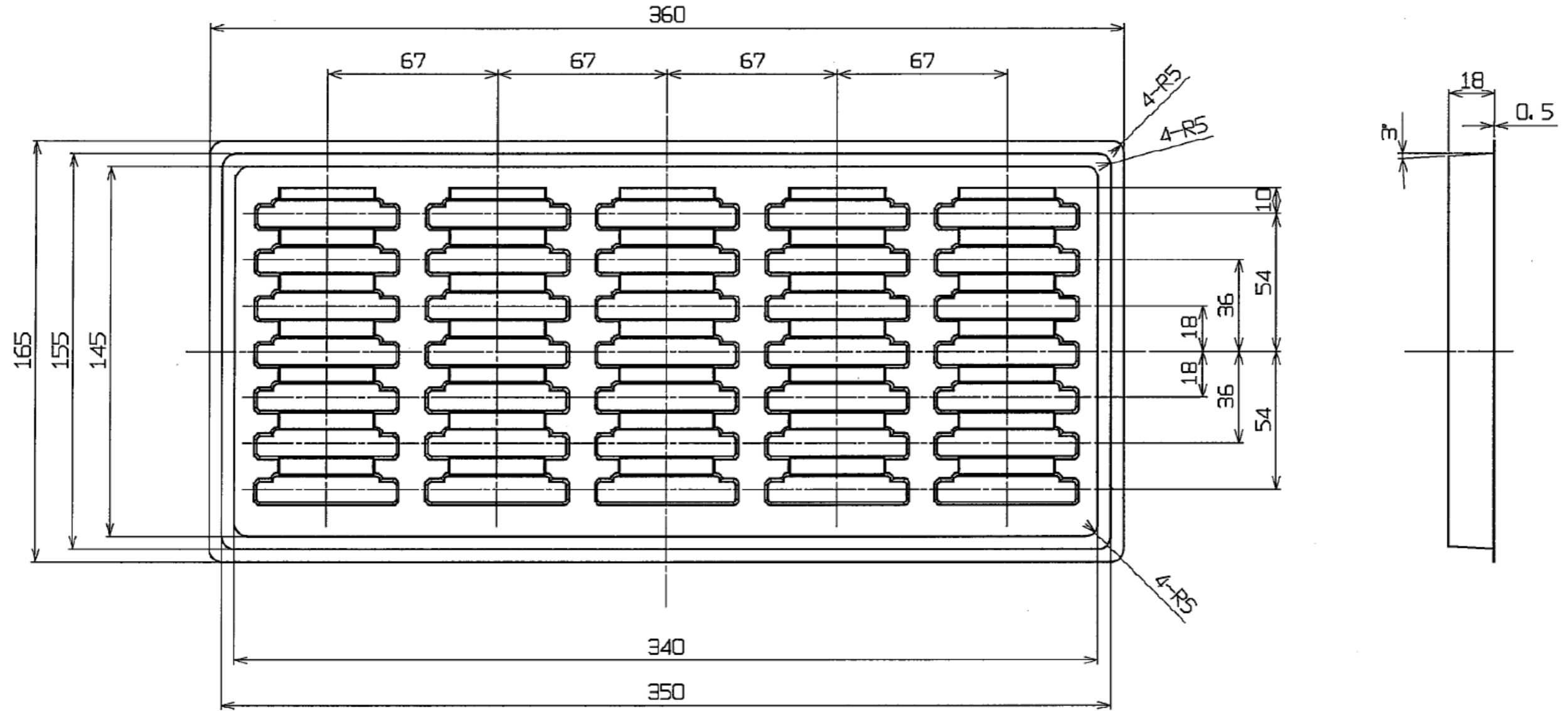
PART NO.	Pos.	QTY./ TRAY	QTY./ SHIPPING CARTON	QTY./ PACKING CARTON
30001-200T-F	200P	21	21 × 4 = 84	84 × 4 = 336
30001-200T-F				
30001-240T-01F	240P	21	21 × 4 = 84	84 × 4 = 336
30001-240T-01F				



6	TRAY	PVC	-
NO.	DISCRIPTION	MATERIAL	FINISH , REMARKS

ANGLE	±2°	6 OVER 30 MAX.	±0.3	PROJECTION ⊕	SERIES No. R11	CUSTOMER COPY
6 MAX.	±0.2	30 OVER 120 MAX.	±0.5			
GENERAL TOLERANCE.				TITLE		SCALE
DWG.	DATE			MINIDOCK CONNECTOR RIGHT ANGLE PLUG		1:X
CHK.						UNIT
APP.				DWG. No. 30001		mm
				SIZE	SHEET	REV.
				A3	7/8	33

PART NO.	Pos.	QTY./ TRAY	QTY./ SHIPPING CARTON	QTY./ PACKING CARTON
30001-100T-F	100P	35	35 × 4 = 140	140 × 4 = 560
30001-100T-01F				



7	TRAY	PVC	-
NO.	DISCRIPTION	MATERIAL	FINISH , REMARKS

ANGLE	±2°	6 OVER 30 MAX.	±0.3	PROJECTION ⊕	SERIES No. R11	CUSTOMER COPY		
6 MAX.	±0.2	30 OVER 120 MAX.	±0.5					
GENERAL TOLERANCE.				TITLE		SCALE	<b>I-PEX</b>	
DWG.	DATE			MINIDOCK CONNECTOR RIGHT ANGLE PLUG		1:X		
CHK.						UNIT		
APP.				DWG. No. 30001		mm		
						SIZE	SHEET	REV.
						A3	8/8	33

Confidential C

I-PEX Inc.

QKE-DFE06-02 REV.12