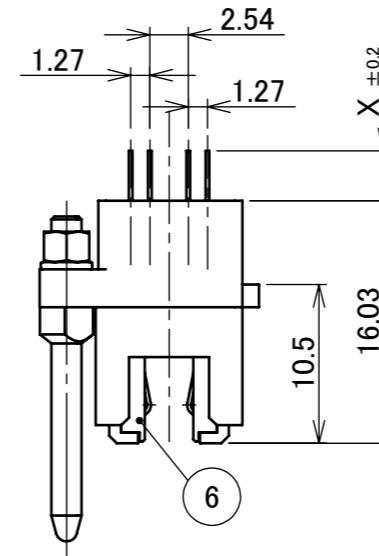
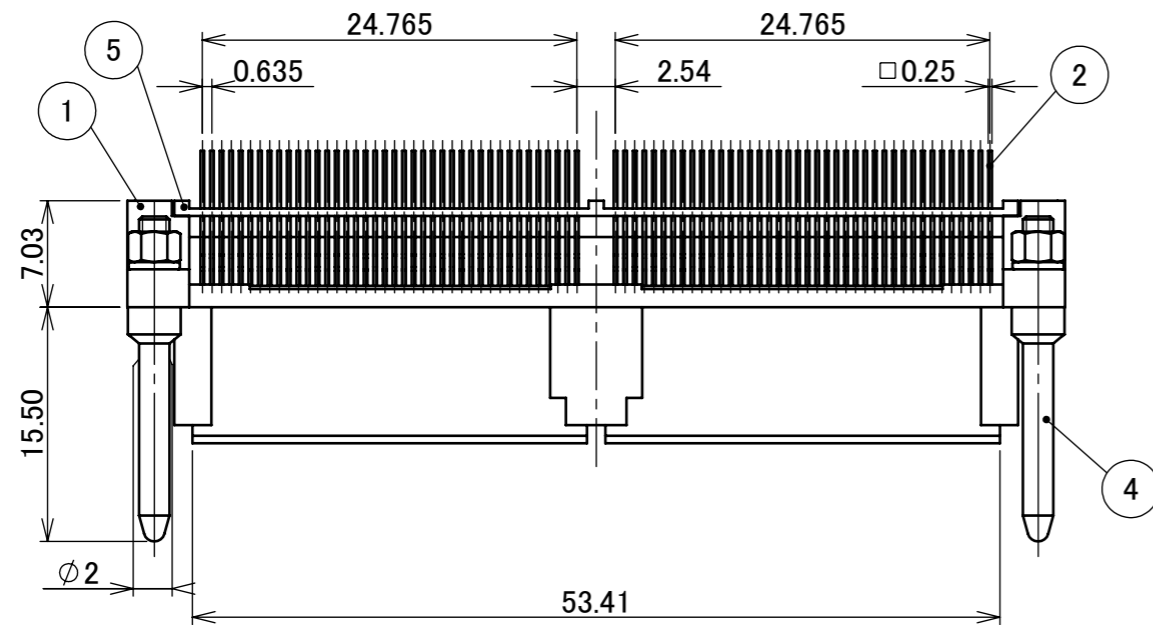


Recommended P/N 30056-160T-F

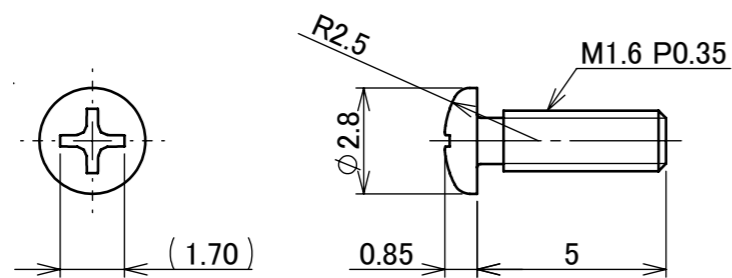
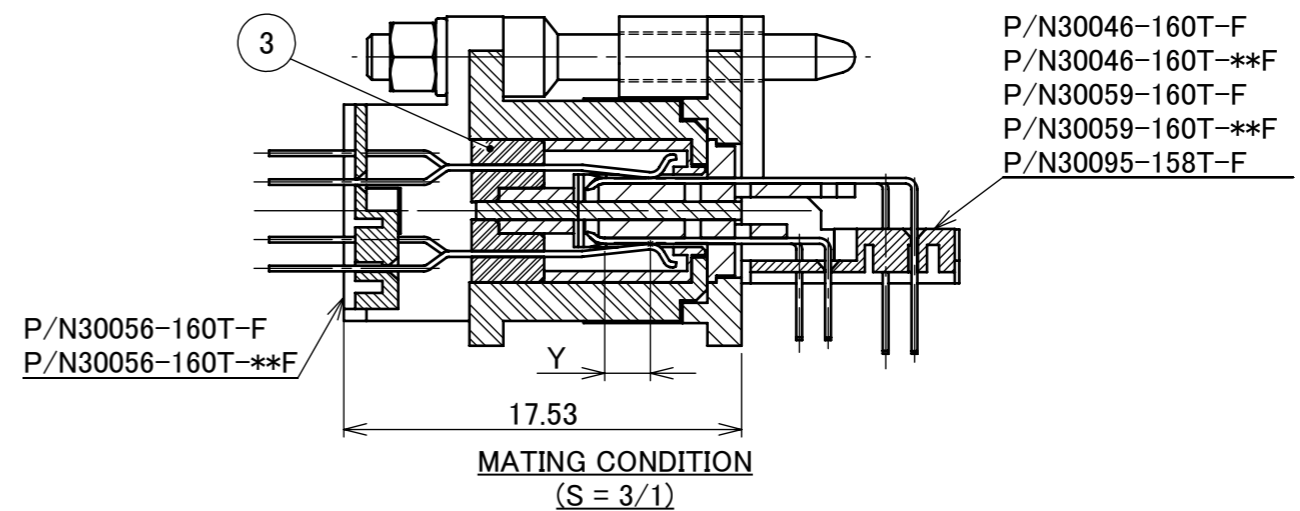
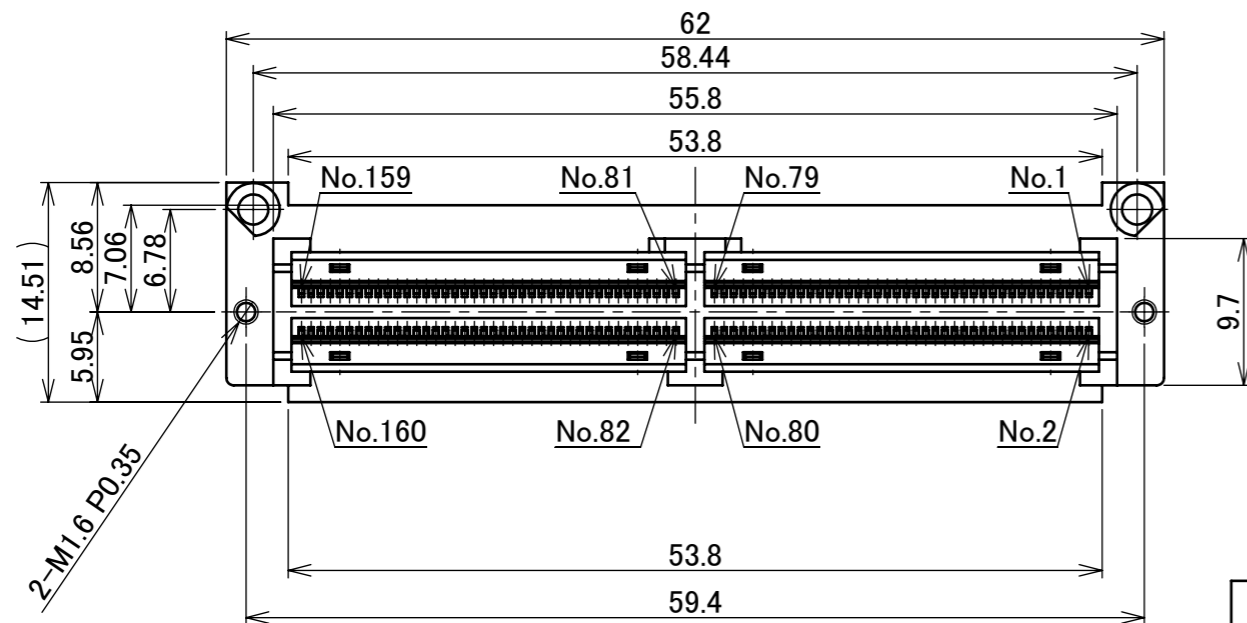
PART NO.	LEAD DIMENSION X	NOTES
30056-160T-F	3.3	WITH SCREW
30056-160T-01F		WITHOUT SCREW



RoHS Compliant



BE MATED	Y (MATING TRAVEL OF C/T)
P/N 30046-160T	1.4, 2.1
P/N 30059-160T	0.7, 1.4, 2.1
P/N 30095-158T	0.7, 1.4, 2.1



SCREW 90061-001 (S = 5/1)

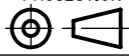
NOTES

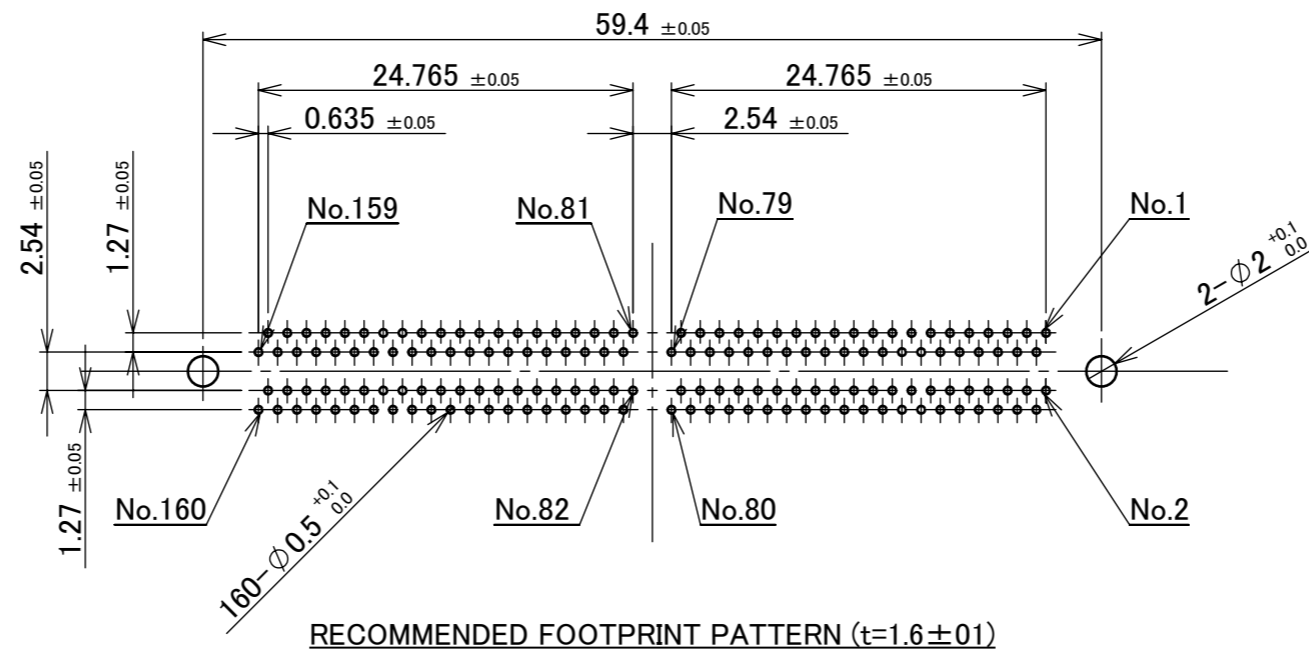
- CONNECTOR TO BE MATED: 30046, 30059, 30095
- ALLOWANCE DIMENSION OF GUIDE PIN : 0.8 mm

NO.	DISCRIPTION	MATERIAL	FINISH , REMARKS
6	CONTACT GUIDE	PPS	BLACK UL94V-0
5	LOCATOR PLATE	PA	BLACK UL94V-0
4	GUIDE PIN	STEEL	Ni PLATING
3	RECE INSULATOR	PPS	BLACK UL94V-0
2	RECE CONTACT	COPPER ALLOY	CONTACT PART Au FLASH SOLDER TAIL Au FLASH
1	RECE SHELL	Zn ALLOY	Ni PLATING

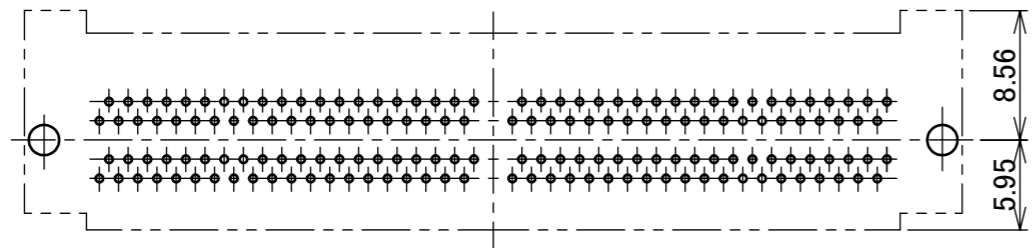
REV.	ECN	BY	DATE	APP.	APP.	REVISION RECORD	ANGLE	±2°	6 OVER 30 MAX.	±0.3	PROJECTION	SERIES No.	CUSTOMER COPY	
12	Z220241	M.H	Mar./18/'22	Y.H			ANGLE	±2°	6 OVER 30 MAX.	±0.3	⊕	R5		
11	Z191328	IMI	Oct./01/'19	Y.S			6 MAX.	±0.2	30 OVER 120 MAX.	±0.5	⊕			
10	Z180838	R.H	June/28/'18	TAK			GENERAL TOLERANCE.				TITLE	SCALE		
9	Z171490	R.H	Dec./25/'17	M.T	DWG.		A.Hino		DATE	1998/10/16	MINIDOCK	2:1	I-PEX	
8	Z170654	R.H	June/08/'17	M.T	CHK.		T.Harada				CONNECTOR VERTICAL	UNIT		
7	Z13594	Y.W	June/26/'13	Tom	APP.						RECEPTACLE	mm		
REV.	ECN	BY	DATE	APP.	APP.						DWG. No.	SIZE	SHEET	REV.
											30056	A3	1/5	12

ITEMS	SPECIFICATION
RATING VOLTAGE	250V AC (PER CONTACT PIN)
RATING AMPERAGE (FOR CONTACT)	0.5A AC/DC (PER CONTACT PIN)
OPERATING TEMPERATURE	208~358K(-65°C~+85°C)
OPERATING HUMIDITY	85% MAX.(NON-CONDENSING)
CONTACT RESISTANCE (FOR CONTACT)	INITIAL : 70mohm MAX. / AFTER TEST : $\leq$ 25mohm MAX.
INSULATION RESISTANCE	INITIAL : 10,000Mohm MIN. / AFTER TEST : 1,000Mohm MIN.
DIELECTRIC WITHSTANDING VOLTAGE	AC500V 1min
DURABILITY	5,000 CYCLES
MATING FORCE (INITIAL)	0.9N/pos. MAX.
UNMATING FORCE (AFTER TEST)	0.059N/pos. MIN.
COPLANARITY	-
PRODUCT SPECIFICATION	PRS-1011
TEST REPORT	TR-9020
PACKING STANDARD	300-151
INSTRUCTION MANUAL	-
APPEARANCE CRITERIA No.	QLS-A***

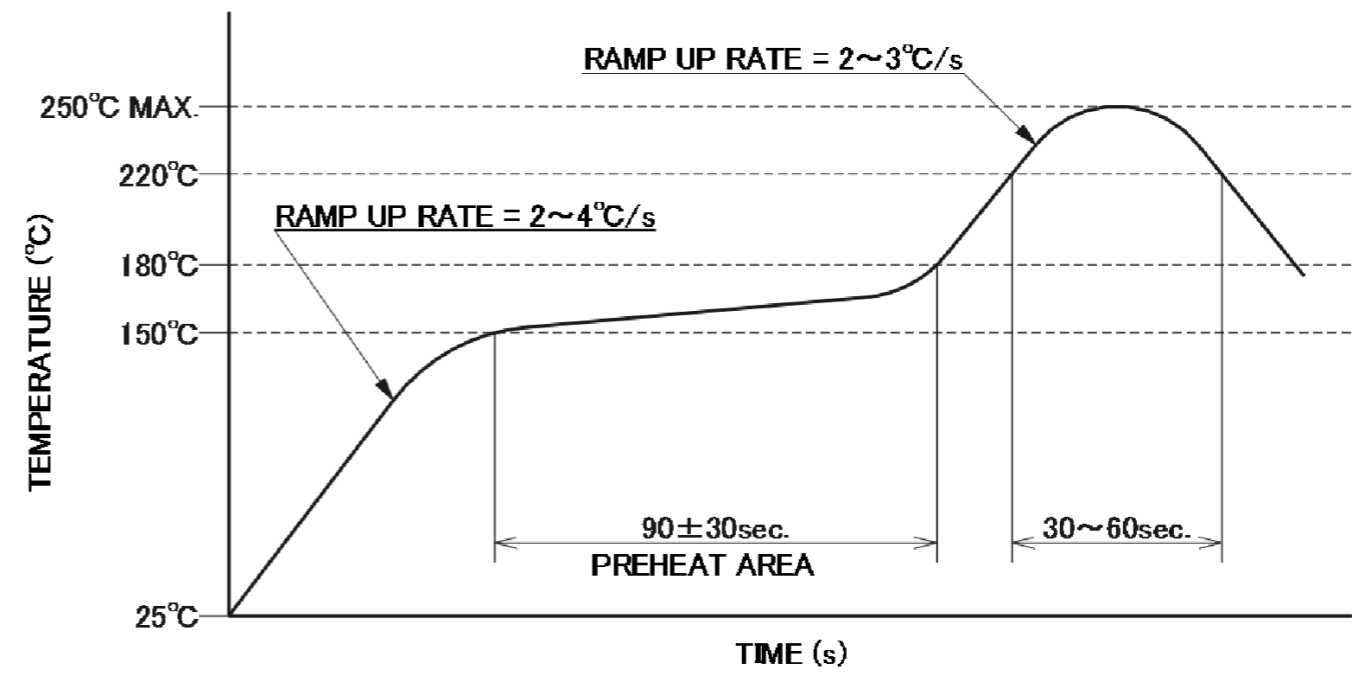
ANGLE	$\pm 2^\circ$	6 OVER 30 MAX.	$\pm 0.3$	PROJECTION 	SERIES No. R5	CUSTOMER COPY		
6 MAX.	$\pm 0.2$	30 OVER 120 MAX.	$\pm 0.5$					
GENERAL TOLERANCE.				TITLE MINIDOCK CONNECTOR VERTICAL RECEPTACLE	SCALE	<b>I-PEX</b>		
DWG.	DATE							
CHK.								
APP.								
				DWG. No.	30056	SIZE A3	SHEET 2/5	REV. 12



ANGLE	$\pm 2^\circ$	6 OVER 30 MAX.	$\pm 0.3$	PROJECTION 	SERIES No. R5	CUSTOMER COPY		
6 MAX.	$\pm 0.2$	30 OVER 120 MAX.	$\pm 0.5$					
GENERAL TOLERANCE.				TITLE MINIDOCK CONNECTOR VERTICAL RECEPTACLE	SCALE 2:1 UNIT mm			
DWG.	DATE							
CHK.								
APP.								
				DWG. No.	30056	SIZE A3	SHEET 3/5	REV. 12



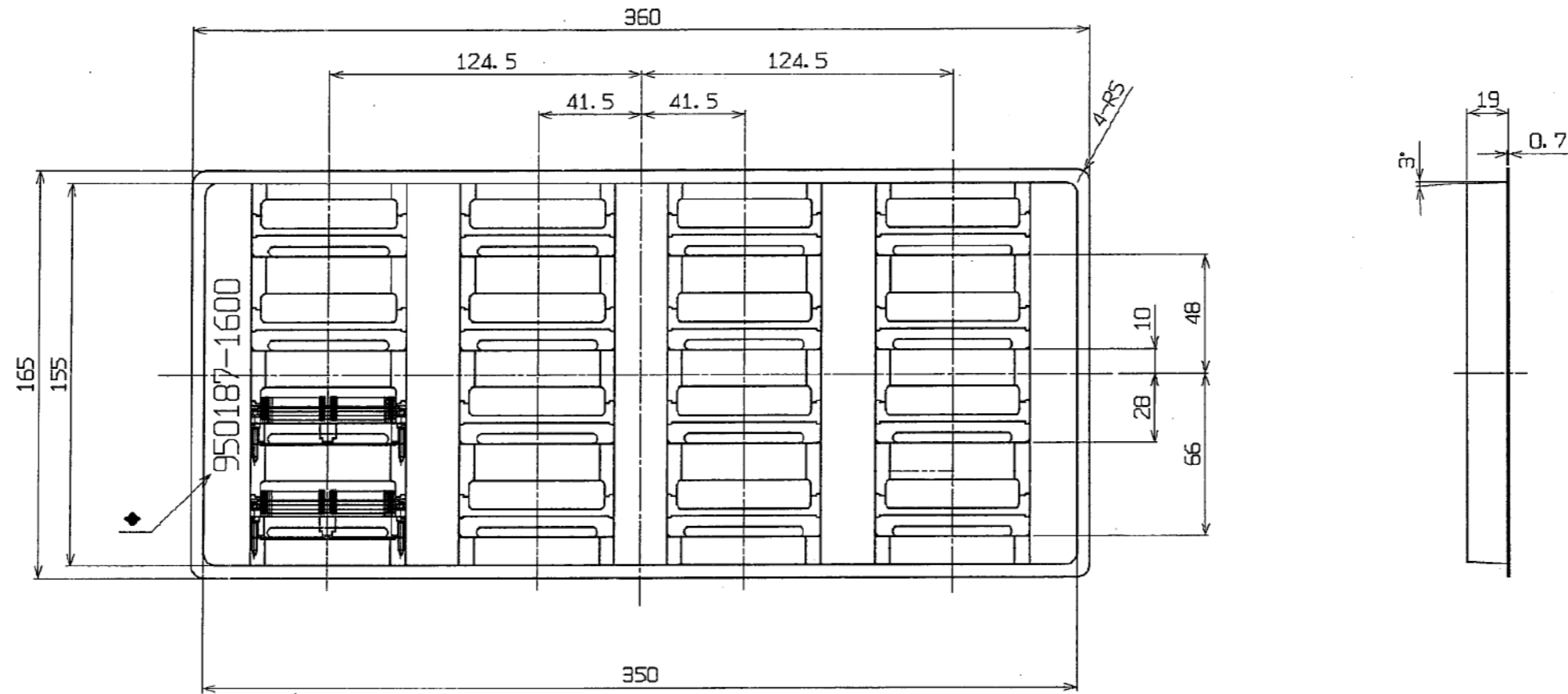
CONNECTOR ON RECOMMENDED FOOTPRINT PATTERN



REFLOW TEMPERATURE PROFILE  
 SENJU METAL INDUSTRY CO., LTD. : M705-SHF(Sn96.5 Ag3.0 Cu0.5)

ANGLE	±2°	6 OVER 30 MAX.	±0.3	PROJECTION 	SERIES No. R5	CUSTOMER COPY		
6 MAX.	±0.2	30 OVER 120 MAX.	±0.5					
GENERAL TOLERANCE.				TITLE MINIDOCK CONNECTOR VERTICAL RECEPTACLE	SCALE 2:1 UNIT mm			
DWG.	DATE							
CHK.								
APP.								
				DWG. No.	30056	SIZE A3	SHEET 4/5	REV. 12

PART NO.	Pos.	QTY./ TRAY	QTY./ SHIPPING CARTON	QTY./ PACKING CARTON
30056-160T-F	160P	16	16 × 3 = 48	48 × 4 = 192
30056-160T-01F				



7	TRAY	PVC	-
NO.	DISCRIPTION	MATERIAL	FINISH , REMARKS

ANGLE	±2°	6 OVER 30 MAX.	±0.3	PROJECTION ⊕	SERIES No. R5	CUSTOMER COPY			
6 MAX.	±0.2	30 OVER 120 MAX.	±0.5						
GENERAL TOLERANCE.				TITLE		SCALE	<b>I-PEX</b>		
DWG.	DATE			MINIDOCK CONNECTOR VERTICAL RECEPTACLE		1:X			
CHK.						UNIT			
APP.				DWG. No. 30056		mm			
						SIZE	SHEET	REV.	
						A3	5/5	12	

Confidential C

I-PEX Inc.

QKE-DFFDE06-02 REV.12