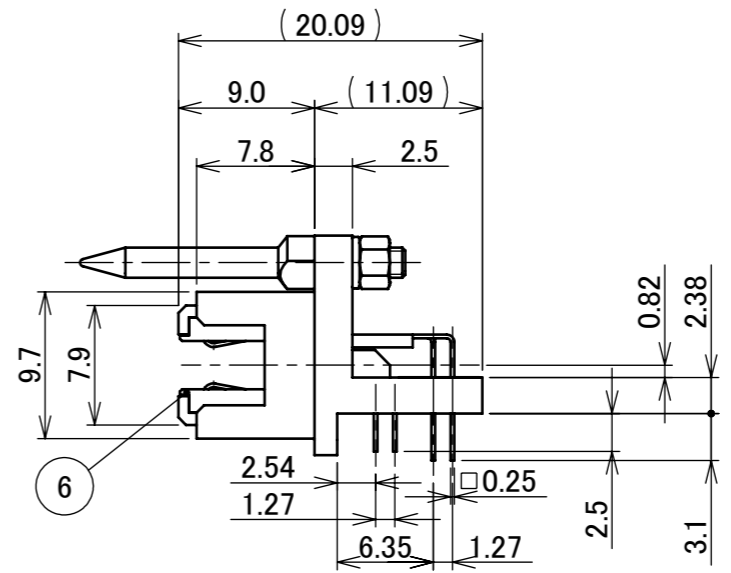
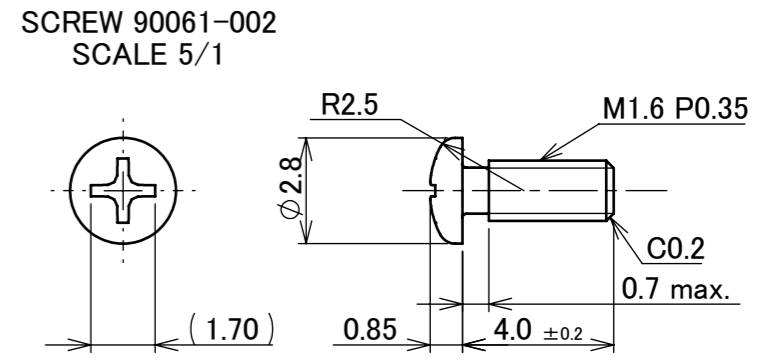
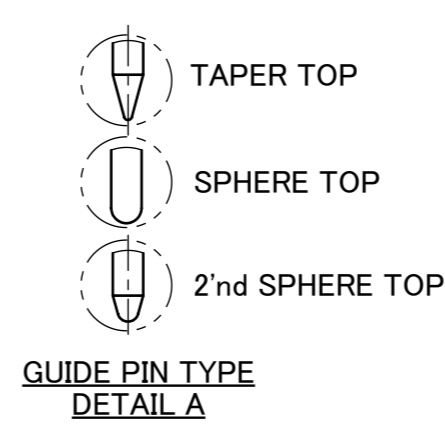
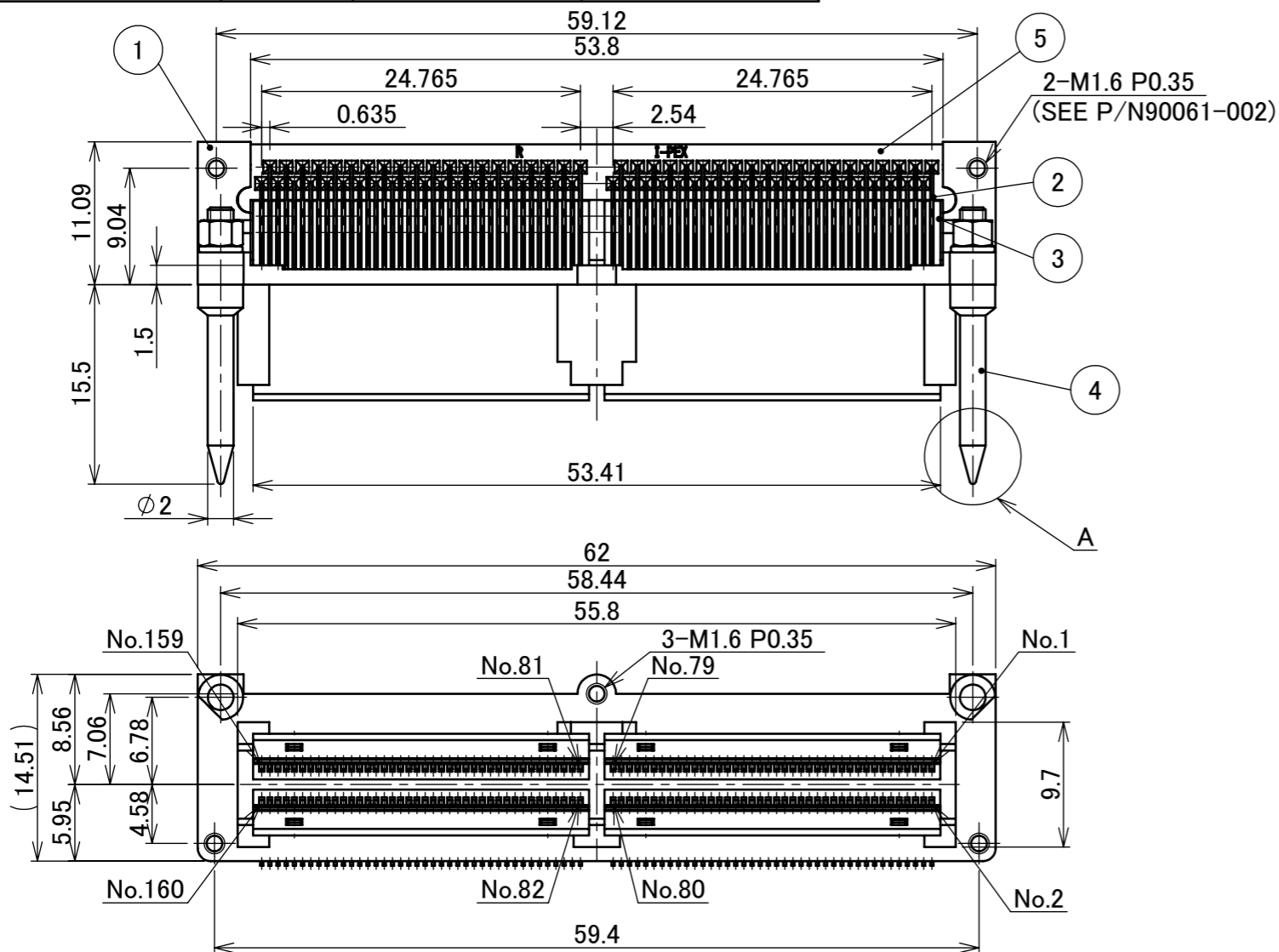


Recommended P/N 30047-160T-01F

PART NO.	Pos.	NOTES	GUIDE PIN P/N
30047-160T-F	160P	WITH SCREW	TAPER TOP
30047-160T-01F		WITHOUT SCREW	
30047-160T-02F		WITH SCREW	SPHERE TOP
30047-160T-03F		WITHOUT SCREW	
30047-160T-04F		WITH SCREW	2'nd SPHERE TOP
30047-160T-05F	WITHOUT SCREW		



RoHS Compliant



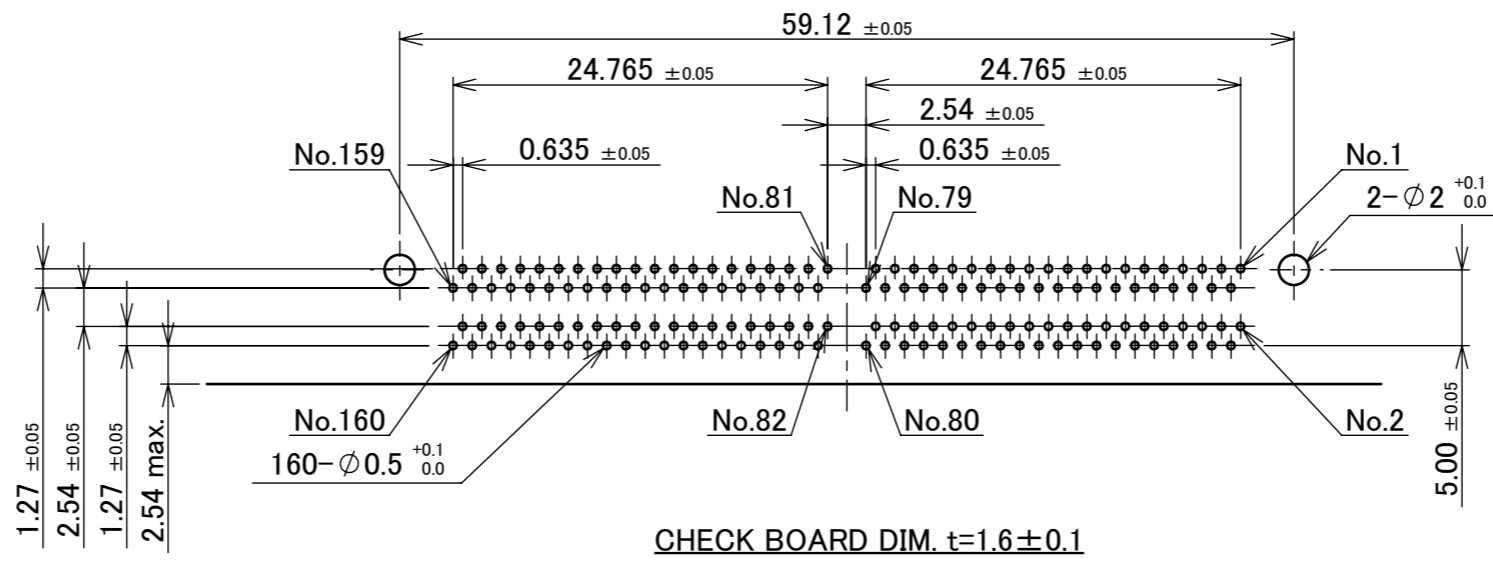
NO.	DESCRIPTION	MATERIAL	FINISH , REMARKS
6	CONTACT GUIDE	PPS	BLACK UL94V-0
5	LOCATOR PLATE	PA	BLACK UL94V-0
4	GUIDE PIN	STEEL	Ni PLATING
3	RECE INSULATOR	PPS	BLACK UL94V-0
2	RECE CONTACT	COPPER ALLOY	Au PLATING
1	RECE SHELL	Zn ALLOY	Ni PLATING

NOTES
1. CONNECTOR TO BE MATED : 30046

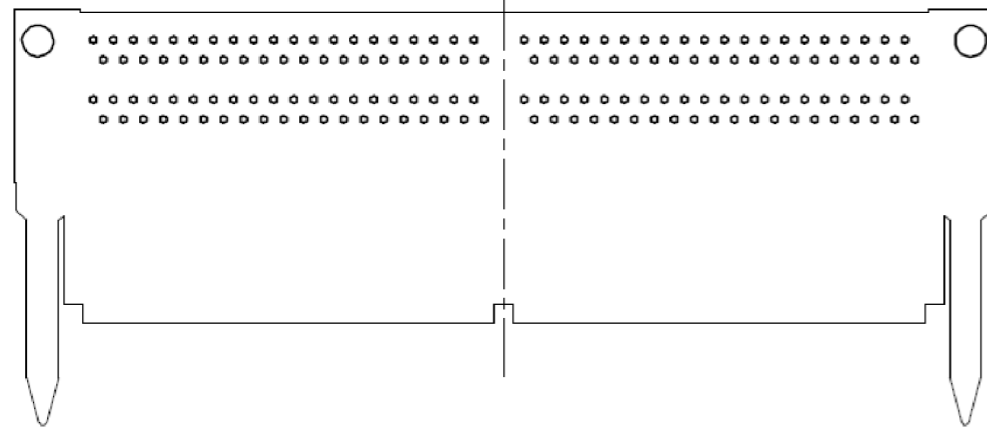
REV.	ECN	BY	DATE	APP.	APP.	ANGLE	±2°	6 OVER 30 MAX.	±0.3	PROJECTION	SERIES No.	TITLE	SCALE	UNIT	SIZE	SHEET	REV.
11	Z220241	M.H	Mar./18/'22	Y.H	ANGLE	±2°	6 OVER 30 MAX.	±0.3		PROJECTION	R2	MINIDOCK RIGHT ANGLE RECEPTACLE	2:1	mm	A3	1/5	11
10	Z191328	IMI	Oct./01/'19	Y.S	6 MAX.	±0.2	30 OVER 120 MAX.	±0.5									
9	Z180835	R.H	June/27/'18	TAK	GENERAL TOLERANCE.												
8	Z171490	R.H	Dec./25/'17	M.T	DWG.	T.Takano	DATE	1997/03/10									
7	Z170733	R.H	Jun./28/'17	M.T	CHK.	T.Harada											
6	Z170179	R.H	Feb/21/'17	M.T	APP.	K.Katabuchi											
REVISION RECORD					K.Katabuchi					DWG. No. 30047		SIZE A3		SHEET 1/5		REV. 11	

ITEMS	SPECIFICATION
RATING VOLTAGE	250V AC (PER CONTACT PIN)
RATING AMPERAGE (FOR CONTACT)	0.5A AC/DC (PER CONTACT PIN)
OPERATING TEMPERATURE	208~358K(-65°C~+85°C)
OPERATING HUMIDITY	85% MAX.(NON-CONDENSING)
CONTACT RESISTANCE (FOR CONTACT)	INITIAL : 70mohm MAX. / AFTER TEST : \triangle 25mohm MAX.
INSULATION RESISTANCE	INITIAL : 10,000Mohm MIN. / AFTER TEST : 1,000Mohm MIN.
DIELECTRIC WITHSTANDING VOLTAGE	AC500V 1min
DURABILITY	5,000 CYCLES
MATING FORCE (INITIAL)	0.9N/pos. MAX.
UNMATING FORCE (AFTER TEST)	0.059N/pos. MIN.
COPLANARITY	-
PRODUCT SPECIFICATION	PRS-1011
TEST REPORT	TR-9020
PACKING STANDARD	300-107
INSTRUCTION MANUAL	-
APPEARANCE CRITERIA No.	QLS-A***

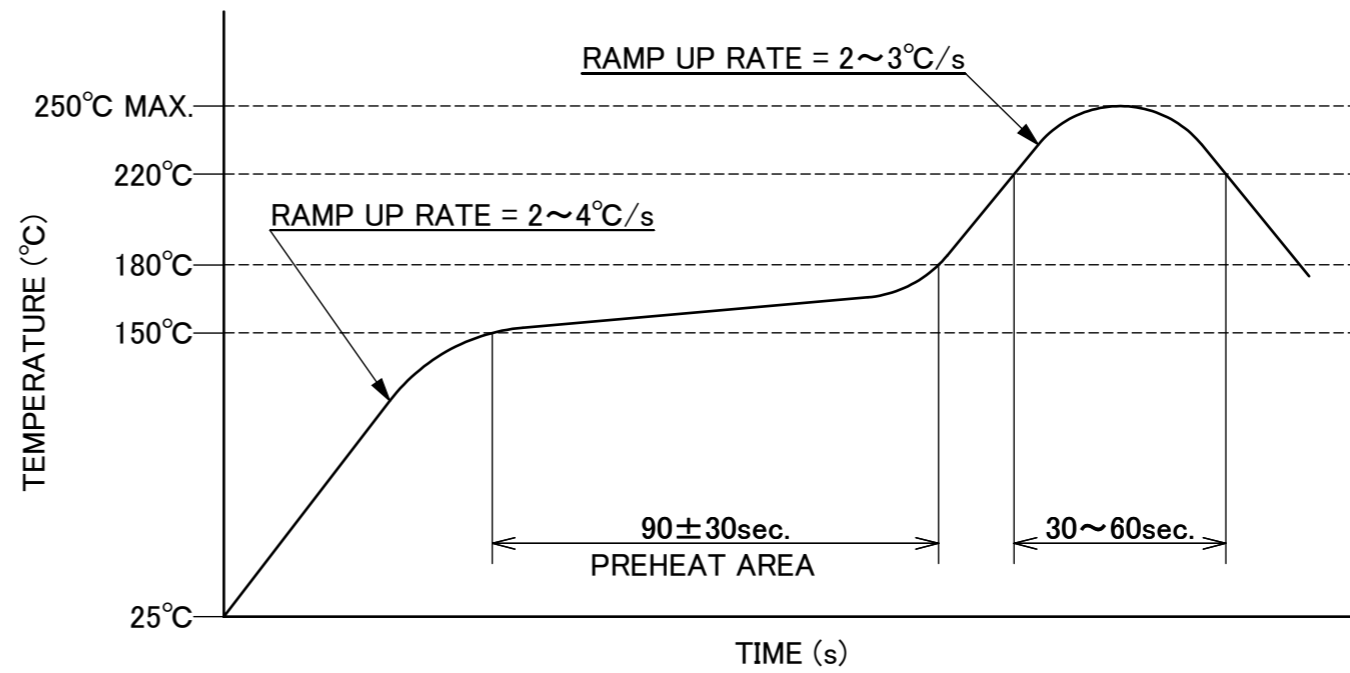
ANGLE	$\pm 2^\circ$	6 OVER 30 MAX.	± 0.3	PROJECTION 	SERIES No. R2	CUSTOMER COPY		
6 MAX.	± 0.2	30 OVER 120 MAX.	± 0.5					
GENERAL TOLERANCE.				TITLE MINIDOCK RIGHT ANGLE RECEPTACLE	SCALE	I-PEX		
DWG.	DATE							
CHK.								
APP.								
				DWG. No.	30047	SIZE A3	SHEET 2/5	REV. 11



ANGLE	±2°	6 OVER 30 MAX.	±0.3	PROJECTION 	SERIES No. R2	CUSTOMER COPY			
6 MAX.	±0.2	30 OVER 120 MAX.	±0.5			SCALE 5:1			
GENERAL TOLERANCE.				TITLE MINIDOCK RIGHT ANGLE RECEPTACLE		UNIT mm			
DWG.	DATE			DWG. No. 30047		SIZE A3	SHEET 3/5	REV. 11	
CHK.									
APP.									



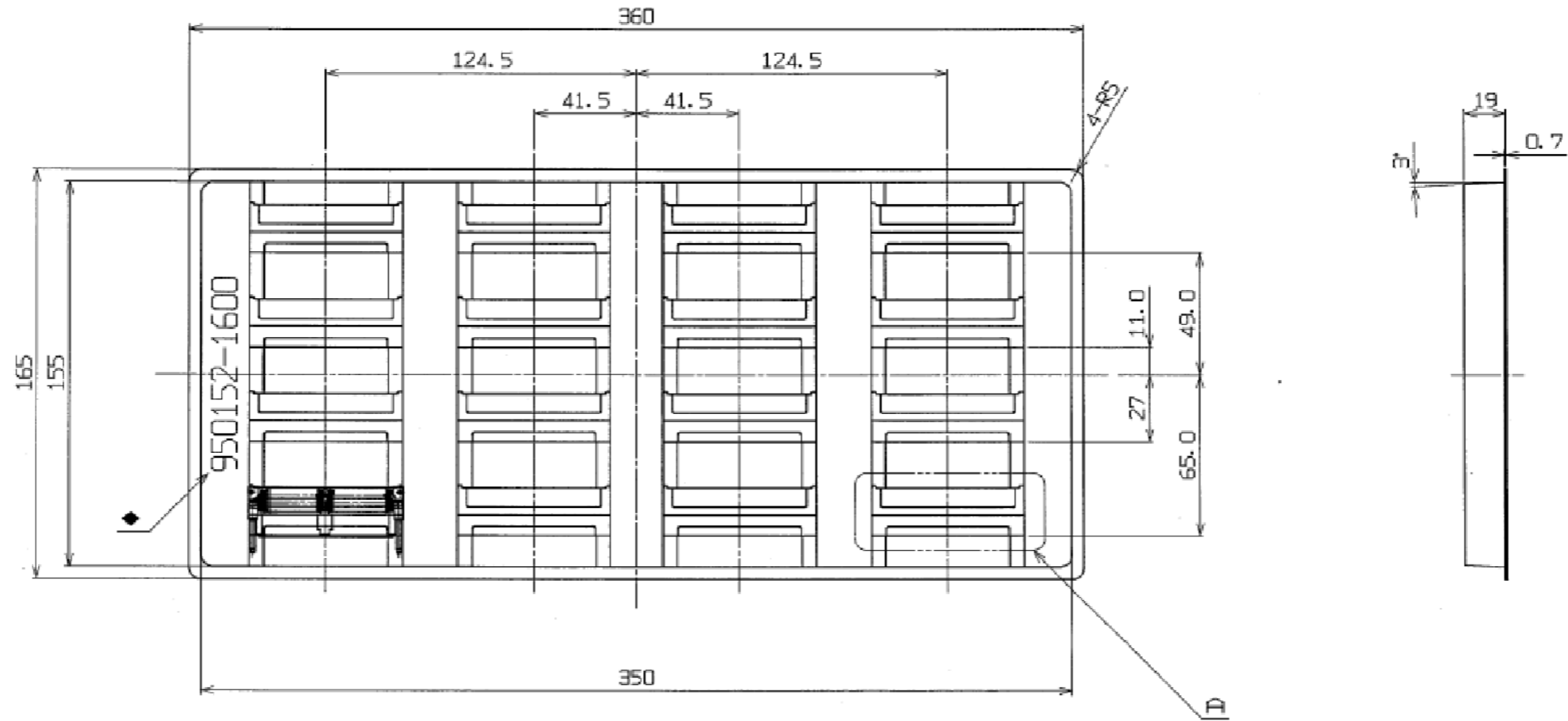
CONNECTOR ON RECOMMENDED FOOTPRINT PATTERN



REFLOW TEMPERATURE PROFILE
SENJU METAL INDUSTRY CO., LTD. : M705-SHF(Sn96.5 Ag3.0 Cu0.5)

ANGLE	±2°	6 OVER 30 MAX.	±0.3	PROJECTION 	SERIES No. R2	CUSTOMER COPY				
	6 MAX.	±0.2	30 OVER 120 MAX.						±0.5	
GENERAL TOLERANCE.				TITLE	SCALE					
DWG.	DATE			MINIDOCK RIGHT ANGLE RECEPTACLE	2:1					
CHK.					UNIT				mm	
APP.				DWG. No.	SIZE				SHEET	REV.
				30047	A3	4/5	11			

PART NO.	Pos.	QTY./ TRAY	QTY./ SHIPPING CARTON	QTY./ PACKING CARTON
30047-160T-F 30047-160T-0*F	160P	16	16 × 3 = 48	48 × 4 = 192



7	TRAY	PVC	-
NO.	DESCRIPTION	MATERIAL	FINISH , REMARKS

ANGLE	±2°	6 OVER 30 MAX.	±0.3	PROJECTION ⊕	SERIES No. R2	CUSTOMER COPY		
6 MAX.	±0.2	30 OVER 120 MAX.	±0.5					
GENERAL TOLERANCE.				TITLE MINIDOCK RIGHT ANGLE RECEPTACLE	SCALE 1:X UNIT mm	I-PEX		
DWG.	DATE							
CHK.								
APP.								
				DWG. No.	30047	SIZE A3	SHEET 5/5	REV. 11