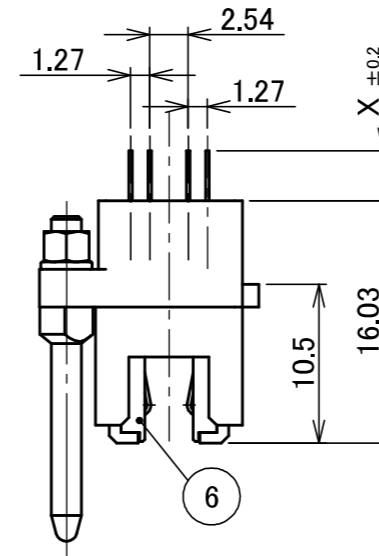
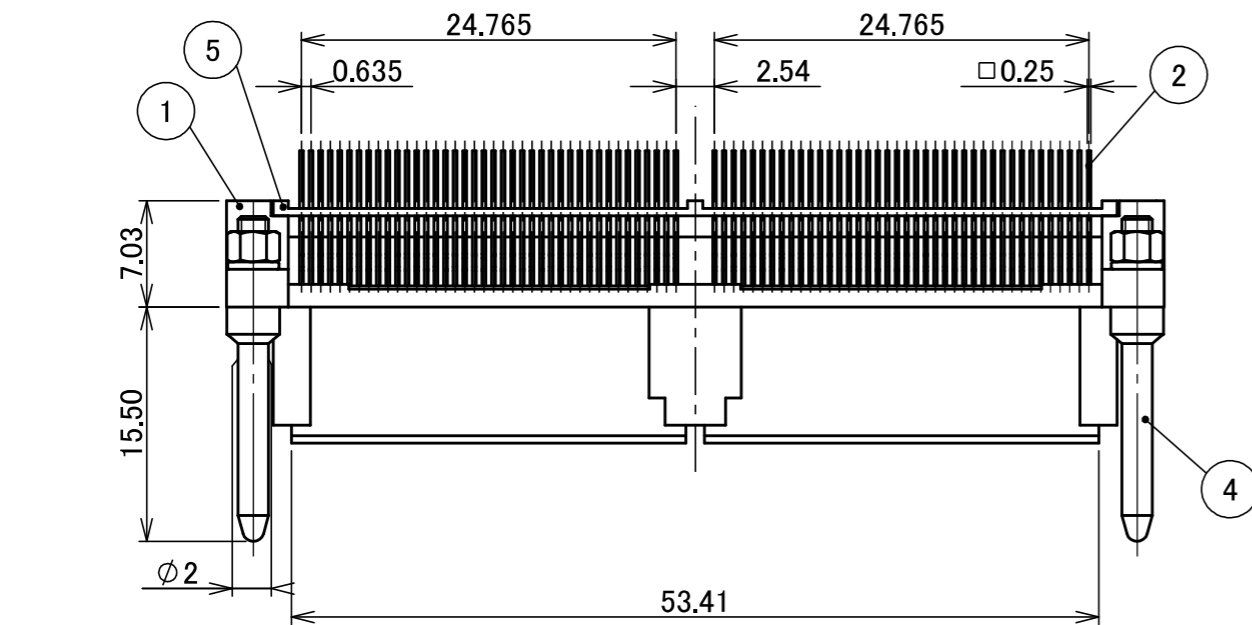


Recommended P/N 30056-160T-F

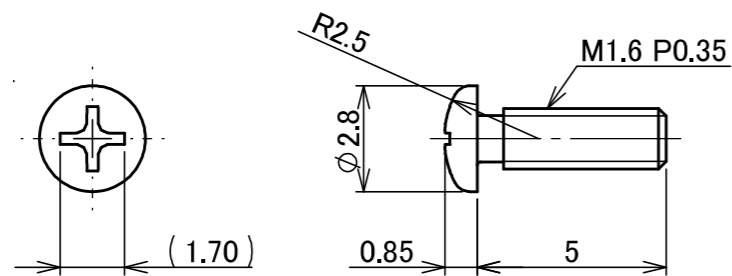
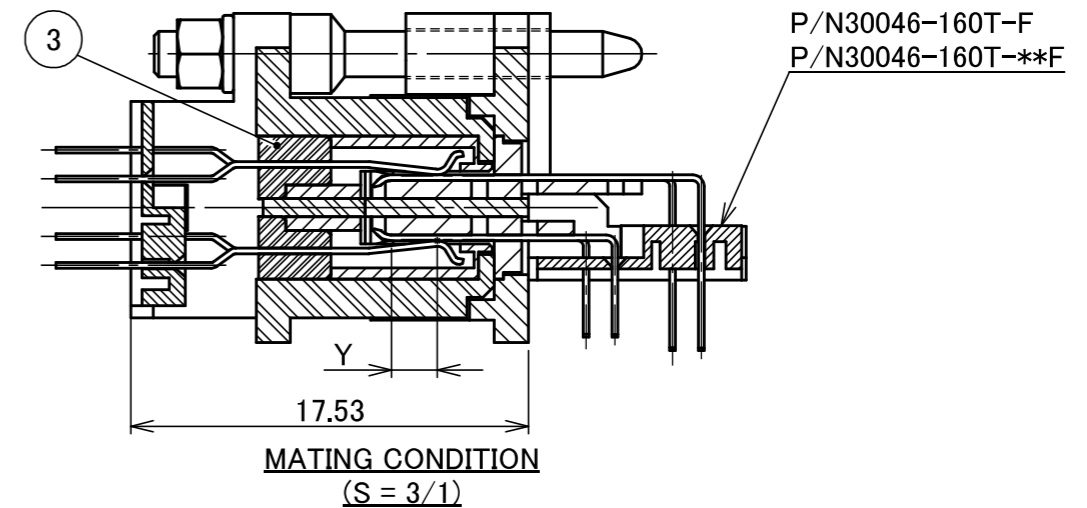
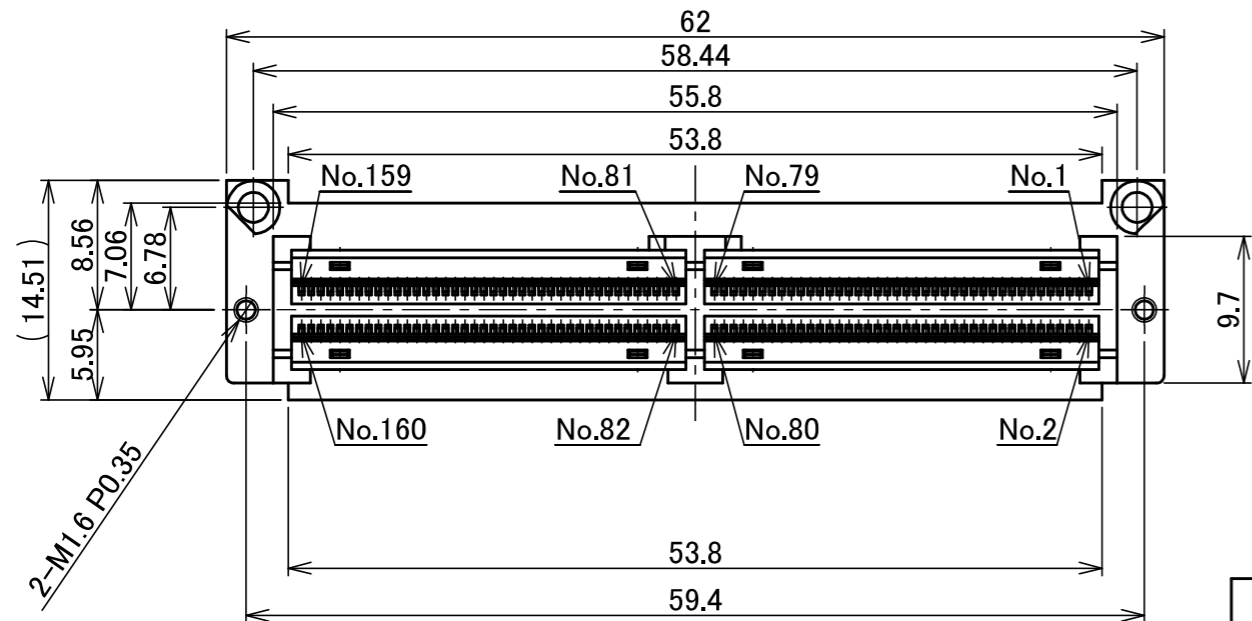
PART NO.	LEAD DIMENSION X	NOTES
30056-160T-F	3.3	WITH SCREW
30056-160T-01F		WITHOUT SCREW



RoHS Compliant



BE MATED	Y (MATING TRAVEL OF C/T)
P/N 30046-160T	1.4, 2.1



SCREW 90061-001  
(S = 5/1)

NOTES

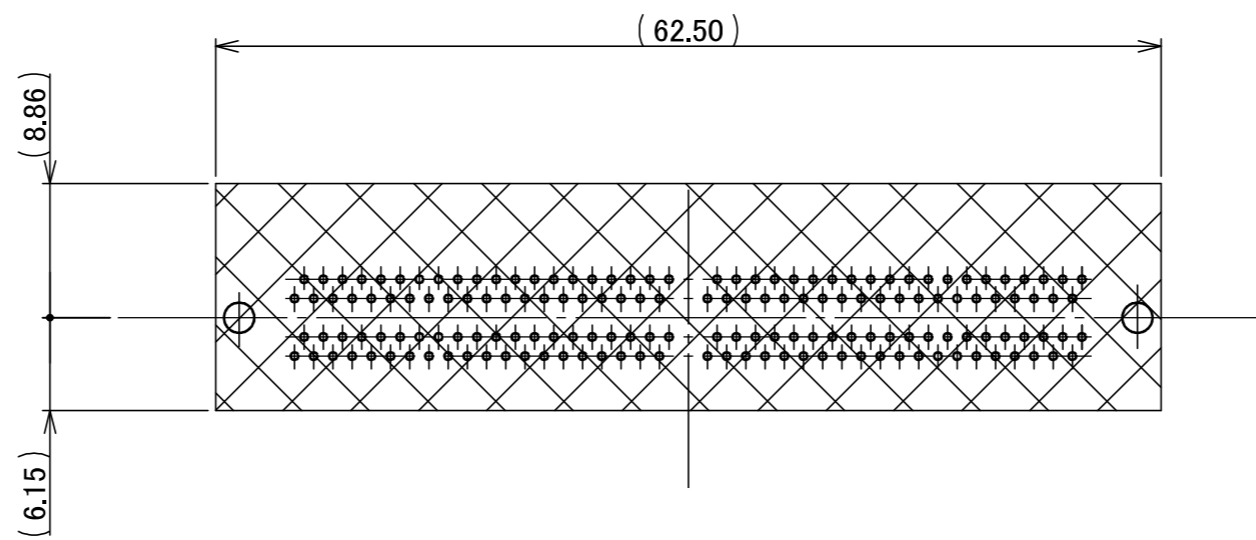
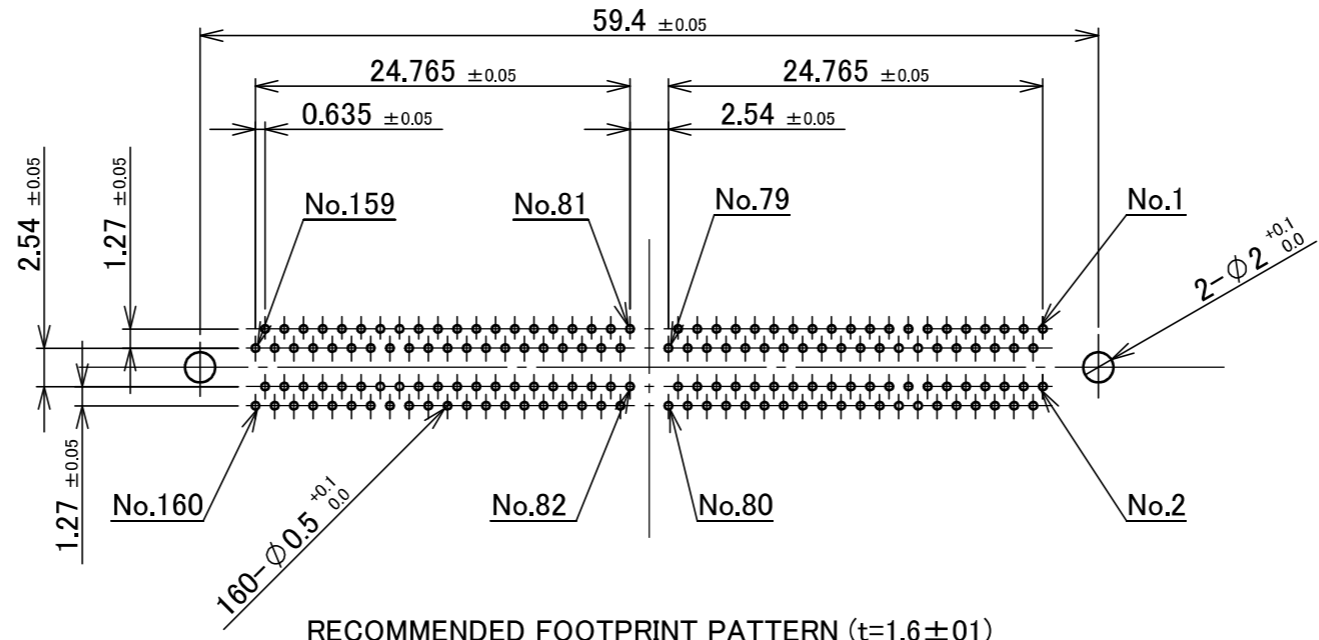
- CONNECTOR TO BE MATED: 30046
- ALLOWANCE DIMENSION OF GUIDE PIN : 0.8 mm

6	CONTACT GUIDE	PPS	BLACK UL94V-0
5	LOCATOR PLATE	PA	BLACK UL94V-0
4	GUIDE PIN	STEEL	Ni PLATING
3	RECE INSULATOR	PPS	BLACK UL94V-0
2	RECE CONTACT	COPPER ALLOY	CONTACT PART Au FLASH SOLDER TAIL Au FLASH
1	RECE SHELL	Zn ALLOY	Ni PLATING
NO.	DISCRIPTION	MATERIAL	FINISH , REMARKS

15	Z241576	R.TA	Nov./27/'24	S.S	ANGLE	±2°	6 OVER 30 MAX.	±0.3	PROJECTION ⊕	SERIES No. R5	CUSTOMER COPY	
14	Z240897	K.W	July/09/'24	S.S	6 MAX.	±0.2	30 OVER 120 MAX.	±0.5				
13	Z240688	Y.I	Jun./06/'24	M.T	GENERAL TOLERANCE.			TITLE MINIDOCK™ Slim Type CONNECTOR VERTICAL RECEPTACLE	SCALE 2:1	UNIT mm	I-PEX	
12	Z220241	M.H	Mar./18/'22	Y.H	DWG.	DATE						1998/10/16
11	Z191328	IMI	Oct./01/'19	Y.S	A.Hino							
10	Z180838	R.H	June/28/'18	TAK	CHK.	T.Harada						
REV.	ECN	BY	DATE	APP.	APP.	K.Katabuchi		DWG. No.	30056	SIZE	SHEET	REV.
REVISION RECORD								30056	A3	1/4	15	

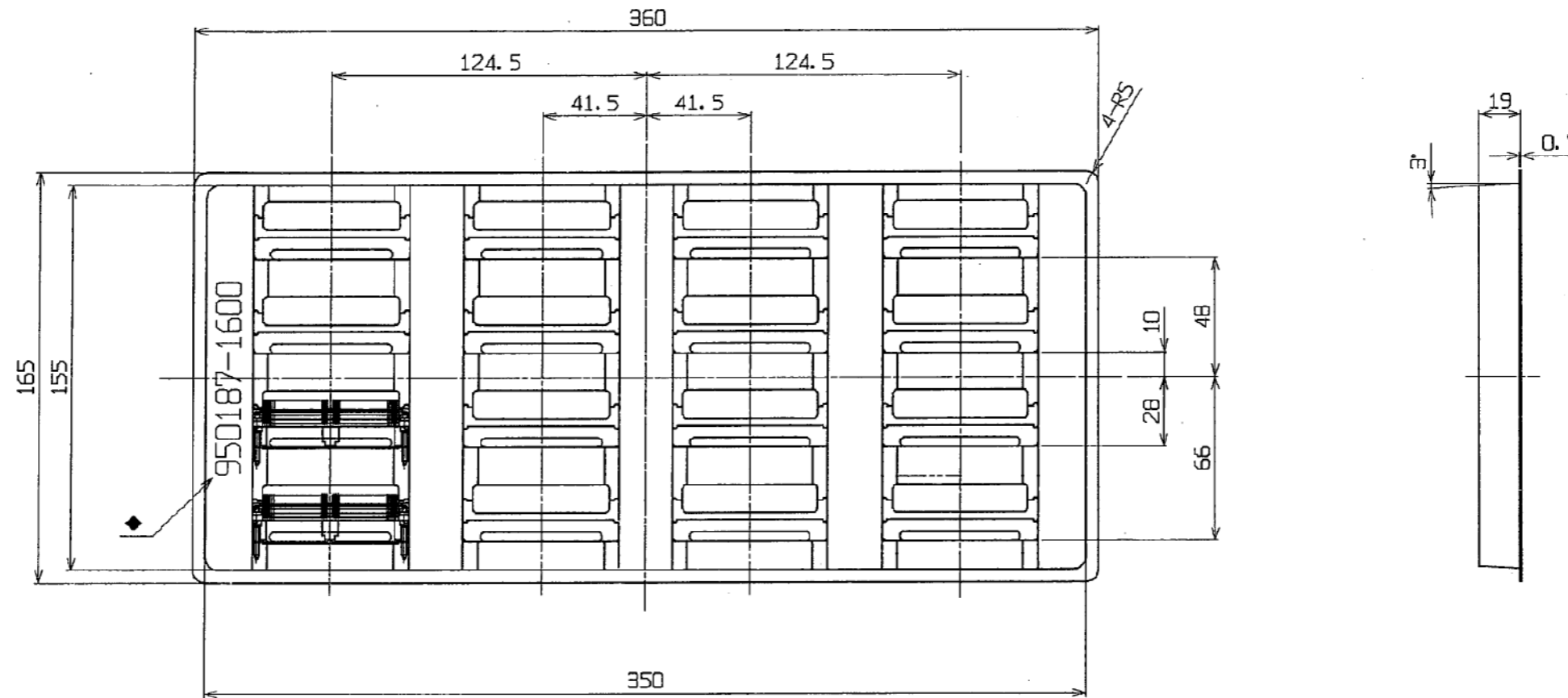
ITEMS	SPECIFICATION
RATING VOLTAGE	250V AC (PER CONTACT PIN)
RATING AMPERAGE (FOR CONTACT)	0.5A AC/DC (PER CONTACT PIN)
OPERATING TEMPERATURE	208~358K(-65°C~+85°C)
OPERATING HUMIDITY	85% MAX.
CONTACT RESISTANCE (FOR CONTACT)	INITIAL : 70mohm MAX. / AFTER TEST : $\triangleleft$ 25mohm MAX.
INSULATION RESISTANCE	INITIAL : 10,000Mohm MIN. / AFTER TEST : 1,000Mohm MIN.
DIELECTRIC WITHSTANDING VOLTAGE	AC500V 1min
DURABILITY	5,000 CYCLES
MATING FORCE (INITIAL)	0.9N/pos. MAX.
UNMATING FORCE (AFTER TEST)	0.059N/pos. MIN.
COPLANARITY	-
PRODUCT SPECIFICATION	PRS-1011
TEST REPORT	TR-9020
PACKING STANDARD	300-151
INSTRUCTION MANUAL	-
APPEARANCE CRITERIA No.	QLS-A***

ANGLE	$\pm 2^\circ$	6 OVER 30 MAX.	$\pm 0.3$	PROJECTION 	SERIES No. R5	CUSTOMER COPY		
6 MAX.	$\pm 0.2$	30 OVER 120 MAX.	$\pm 0.5$					
GENERAL TOLERANCE.				TITLE MINIDOCK™ Slim Type CONNECTOR VERTICAL RECEPTACLE	SCALE 	UNIT <b>I-PEX</b>		
DWG.	DATE							
CHK.								
APP.								
				DWG. No.	30056	SIZE A3	SHEET 2/4	REV. 15



ANGLE	±2°	6 OVER 30 MAX.	±0.3	PROJECTION ⊕	SERIES No. R5	CUSTOMER COPY						
	6 MAX.	±0.2	30 OVER 120 MAX.						±0.5			
GENERAL TOLERANCE.				TITLE		SCALE	I-PEX					
DWG.	DATE			MINIDOCK™ Slim Type CONNECTOR VERTICAL RECEPTACLE		2:1						
CHK.						UNIT				mm		
APP.				DWG. No.		SIZE				SHEET	REV.	
				30056		A3	3/4	15				

PART NO.	Pos.	QTY./ TRAY	QTY./ SHIPPING CARTON	QTY./ PACKING CARTON
30056-160T-F	160P	16	16 × 3 = 48	48 × 4 = 192
30056-160T-01F				



7	TRAY	PET	-
NO.	DISCRIPTION	MATERIAL	FINISH , REMARKS

ANGLE	±2°	6 OVER 30 MAX.	±0.3	PROJECTION ⊕	SERIES No. R5	CUSTOMER COPY		
	6 MAX.	±0.2	30 OVER 120 MAX.					±0.5
GENERAL TOLERANCE.				TITLE		SCALE	<b>I-PEX</b>	
DWG.	DATE			MINIDOCK™ Slim Type CONNECTOR VERTICAL RECEPTACLE		1:X		
CHK.						UNIT		
APP.				DWG. No. 30056		mm		
						SIZE	SHEET	REV.
						A3	4/4	15