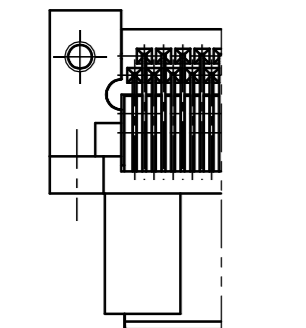
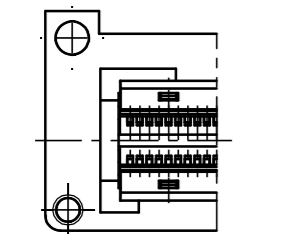




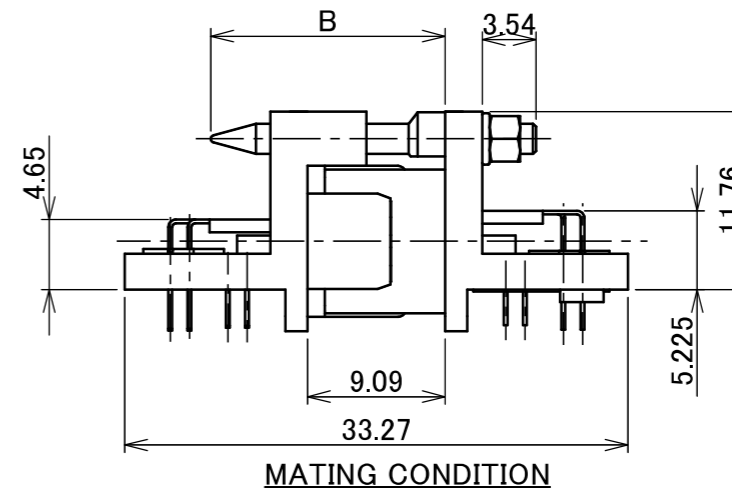
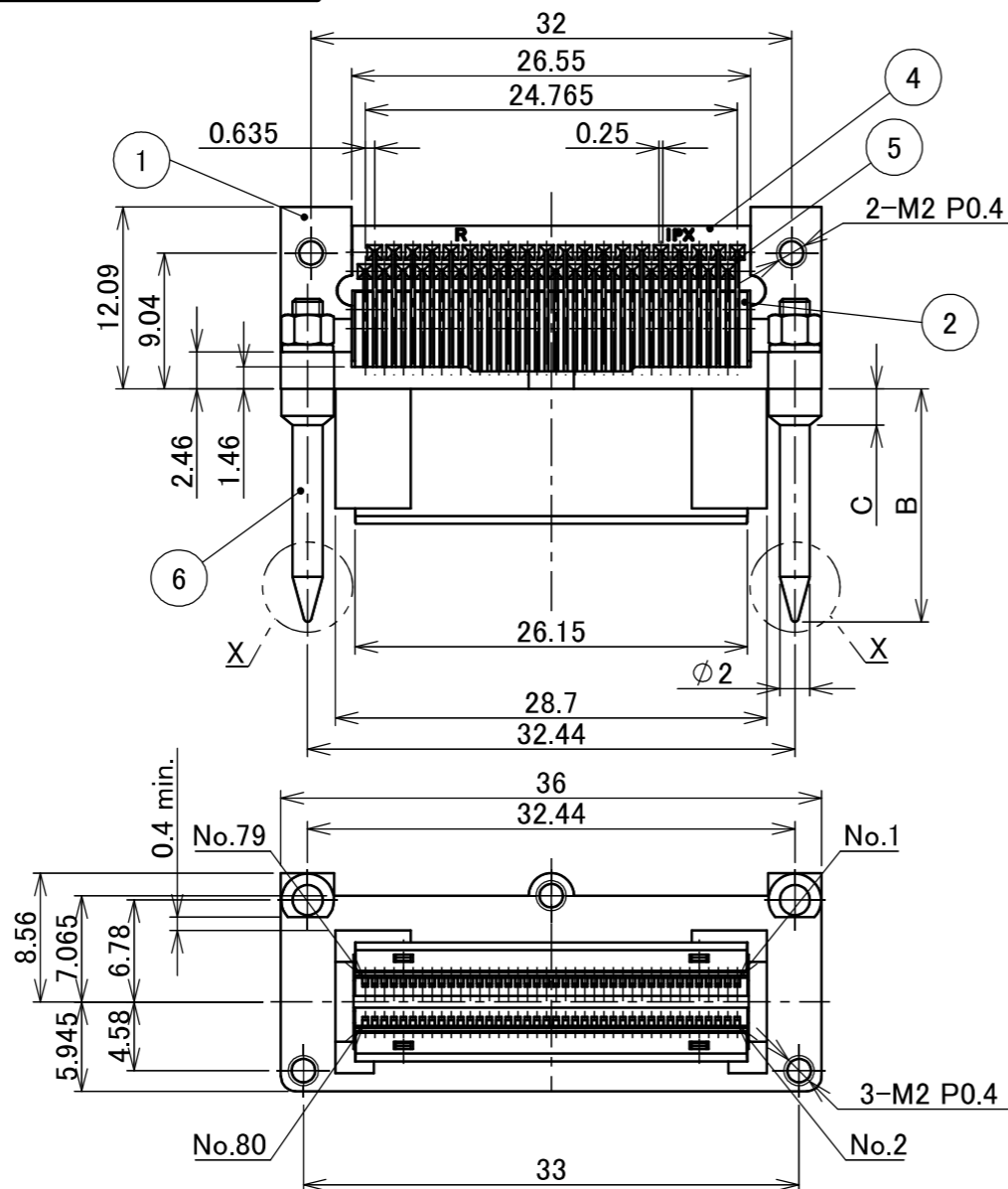
RoHS Compliant



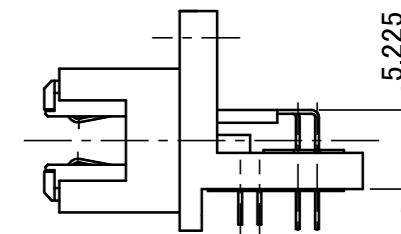
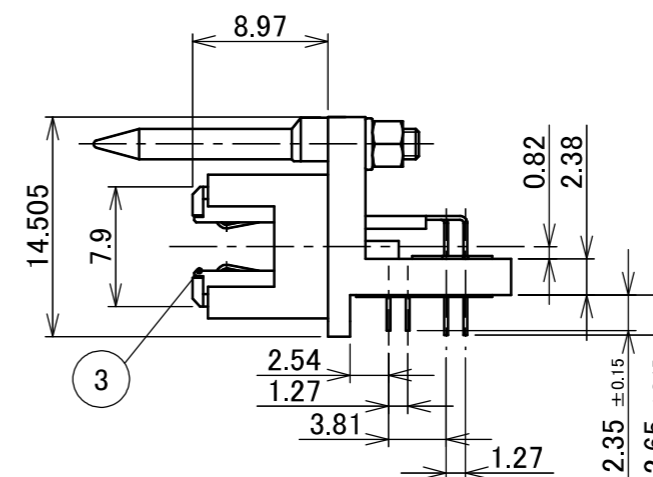
WITHOUT GUIDE PIN



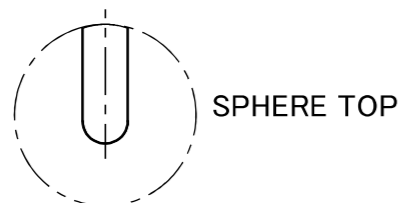
WITHOUT GUIDE PIN



MATING CONDITION



WITHOUT GUIDE PIN



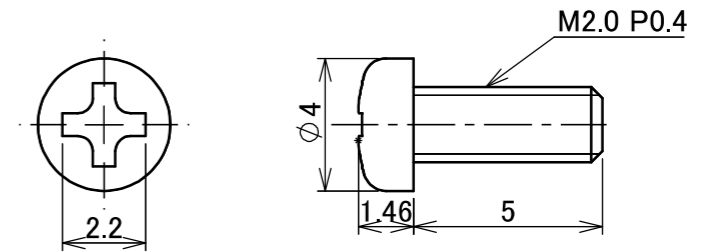
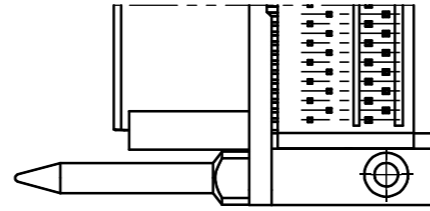
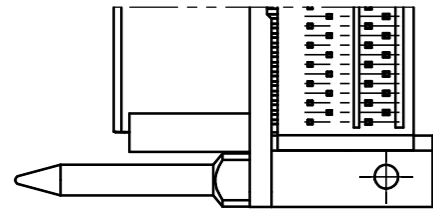
DETAIL X
(S = 3/1)

6	GUIDE PIN	STAINLESS STEEL (30030-080T-017*/018*)	NO PLATING
		STEEL (EXCEPT 30030-080T-017*/018*)	Ni PLATING
5	CONTACT	COPPER ALLOY	CONTACT AREA: Au FLASH OVER Pd/Ni SOLDER TAIL: Au FLASH
4	LOCATOR PLATE	PA	BLACK, UL94V-0
3	CONTACT GUIDE	PPS	BLACK, UL94V-0
2	INSULATOR	PPS	BLACK, UL94V-0
1	SHELL	Zn ALLOY	Ni PLATING
NO.	DISCRIPTION	MATERIAL	FINISH , REMARKS

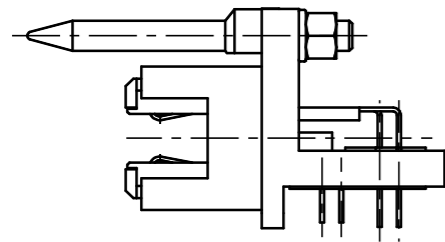
NOTES
1. CONNECTOR TO BE MATED: 30029

21	ZC00687	X.L	2026/05/13	S.S	ANGLE	±2°	6 OVER 30 MAX.	±0.3	PROJECTION 	SERIES No. R12	CUSTOMER COPY		
20	Z241576	R.TA	2024/11/27	S.S	6 MAX.	±0.2	30 OVER 120 MAX.	±0.5					
19	Z240688	Y.I	2024/06/06	M.T	GENERAL TOLERANCE.				TITLE MINIDOCK™ SLIM TYPE RIGHT ANGLE RECEPTACLE 80P	SCALE 2:1	UNIT mm	SHEET 1/5	REV. 21
18	Z220241	M.H	2022/03/18	Y.H	DWG.	DATE		1996/05/27					
17	Z191320	IMI	2019/09/30	Y.S	E.Kawabe		CHK. S.Ishibashi						
16	Z181197	R.H	2018/09/13	TAK	APP.			Y.Fukuda					
REV.	ECN	BY	DATE	APP.	APP.	DWG. No.			30030	SIZE A3	SHEET 1/5	REV. 21	
REVISION RECORD													

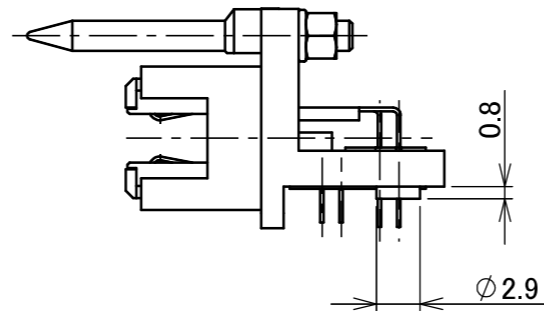
PART No.	GUIDE PIN TYPE	BOSS	A	B	C	NOTES
30030-080T-01F	SPHERE TOP	WITHOUT BOSS	2.3	15.5	2.4	WITH SCREW
30030-080T-03F	SPHERE TOP					WITHOUT SCREW
30030-080T-19F	SPHERE TOP	WITH BOSS	3.1	14.0	4.0	WITH SCREW



SCREW 90042-001
(S = 5/1)



WITHOUT BOSS

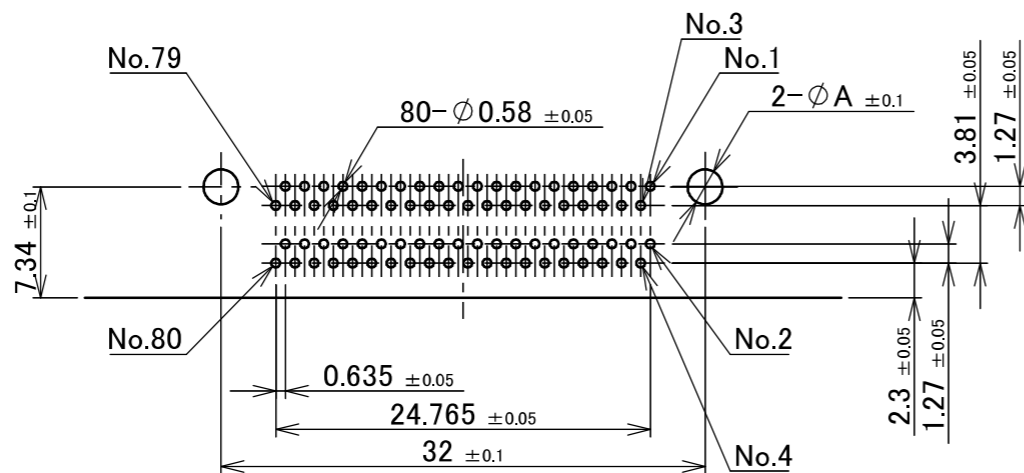


WITH BOSS

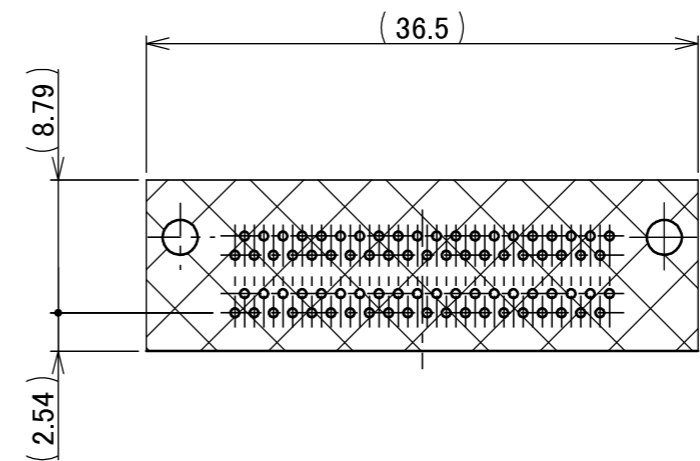
ANGLE	±2°	6 OVER 30 MAX.	±0.3	PROJECTION ⊕	SERIES No. R12	CUSTOMER COPY		
6 MAX.	±0.2	30 OVER 120 MAX.	±0.5					
GENERAL TOLERANCE.				TITLE MINIDOCK™ SLIM TYPE RIGHT ANGLE RECEPTACLE 80P	SCALE 2:1 UNIT mm	I-PEX		
DWG.	DATE							
CHK.								
APP.								
				DWG. No.	30030	SIZE A3	SHEET 2/5	REV. 21

ITEMS	SPECIFICATION
RATING VOLTAGE	250V AC (PER CONTACT PIN)
RATING AMPERAGE (FOR CONTACT)	0.5A AC/DC (PER CONTACT PIN)
OPERATING TEMPERATURE	208~358K(-65°C~+85°C)
OPERATING HUMIDITY	85% MAX.
CONTACT RESISTANCE (FOR CONTACT)	INITIAL : 70mohm MAX. / AFTER TEST : \triangleleft 25mohm MAX.
INSULATION RESISTANCE	INITIAL : 10,000Mohm MIN. / AFTER TEST : 1,000Mohm MIN.
DIELECTRIC WITHSTANDING VOLTAGE	AC500V 1min
DURABILITY	5,000 CYCLES
MATING FORCE (INITIAL)	0.9N/pos. MAX.
UNMATING FORCE (AFTER TEST)	0.059N/pos. MIN.
COPLANARITY	-
PRODUCT SPECIFICATION	PRS-1011
TEST REPORT	TR-9020
PACKING STANDARD	300-071
INSTRUCTION MANUAL	-
APPEARANCE CRITERIA No.	QLS-A***

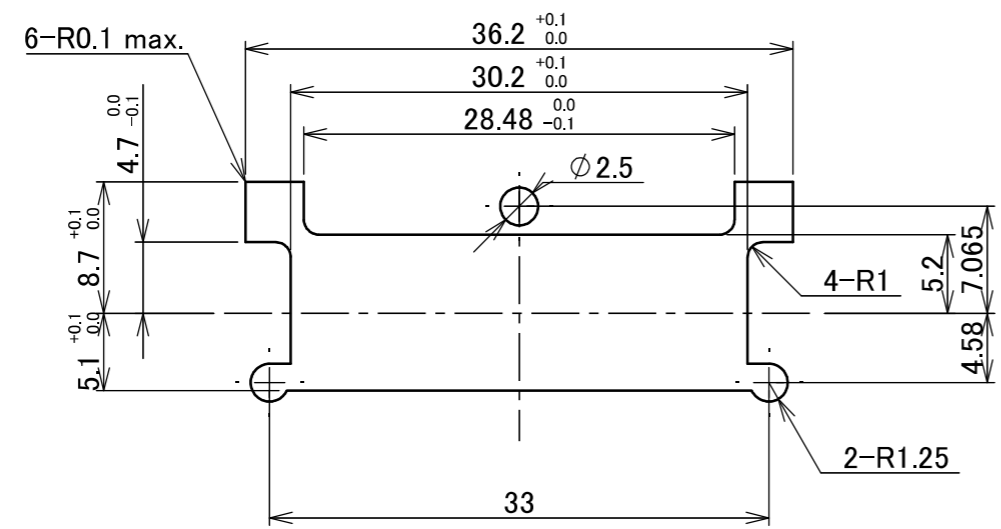
ANGLE	$\pm 2^\circ$	6 OVER 30 MAX.	± 0.3	PROJECTION 	SERIES No. R12	CUSTOMER COPY		
6 MAX.	± 0.2	30 OVER 120 MAX.	± 0.5					
GENERAL TOLERANCE.				TITLE MINIDOCK™ SLIM TYPE RIGHT ANGLE RECEPTACLE 80P	SCALE 	I-PEX		
DWG.	DATE							
CHK.								
APP.								
DWG. No.				30030	SIZE	SHEET	REV.	
				A3	3/5	21		



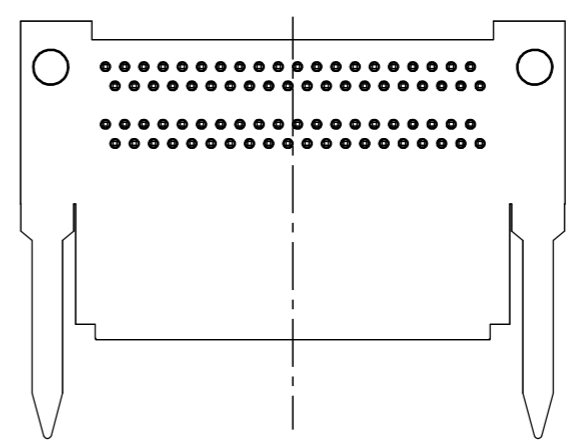
RECOMMENDED FOOTPRINT PATTERN t=1.6



DO NOT MOUNT ANY OTHER COMPONENTS IN THIS AREA



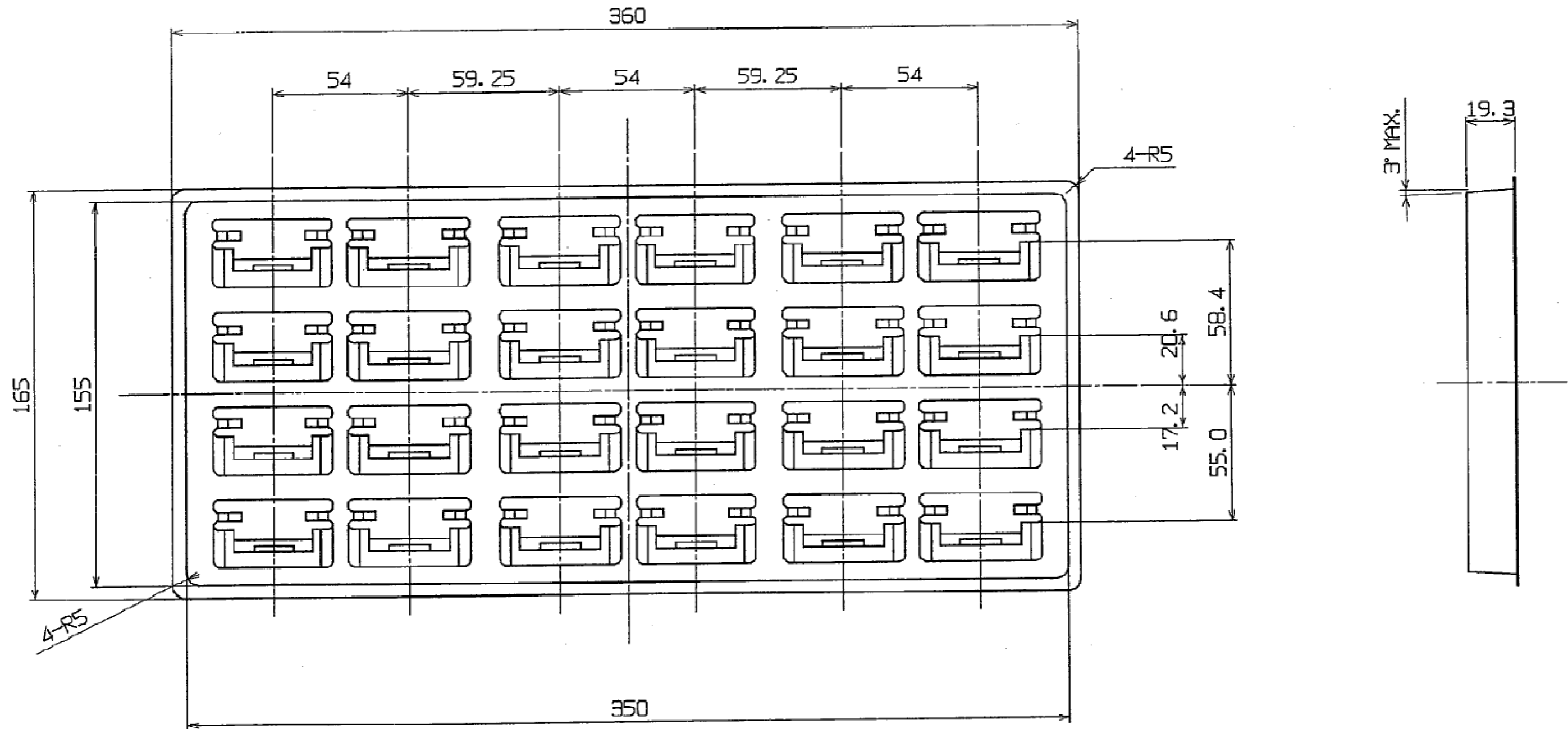
RECOMMENDED PANEL DIMENSIONS



CONNECTOR ON RECOMMENDED FOOTPRINT PATTERN

ANGLE	±2°	6 OVER 30 MAX.	±0.3	PROJECTION ⊕	SERIES No. R12	CUSTOMER COPY			
6 MAX.	±0.2	30 OVER 120 MAX.	±0.5						
GENERAL TOLERANCE.				TITLE MINIDOCK™ SLIM TYPE RIGHT ANGLE RECEPTACLE 80P	SCALE	I-PEX			
DWG.	DATE				2:1				
CHK.					UNIT				mm
APP.					SIZE				SHEET
				DWG. No.	30030	A3	4/5	21	

PART NO.	Pos.	QTY./ TRAY	QTY./ SHIPPING CARTON	QTY./ PACKING CARTON
30030-080T-03F	80P	24	24 × 3 = 72	72 × 4 = 288



7	TRAY	PS	-
NO.	DISCRIPTION	MATERIAL	FINISH , REMARKS
ANGLE	±2°	6 OVER 30 MAX.	±0.3
	6 MAX.	±0.2	30 OVER 120 MAX.
		±0.5	
GENERAL TOLERANCE.			
DWG.	DATE	TITLE	
CHK.		MINIDOCK™ SLIM TYPE	
APP.		RIGHT ANGLE	
		RECEPTACLE 80P	
PROJECTION		SERIES No.	CUSTOMER COPY
⊕		R12	
DWG. No.		SIZE	SHEET
30030		A3	5/5
		REV.	21