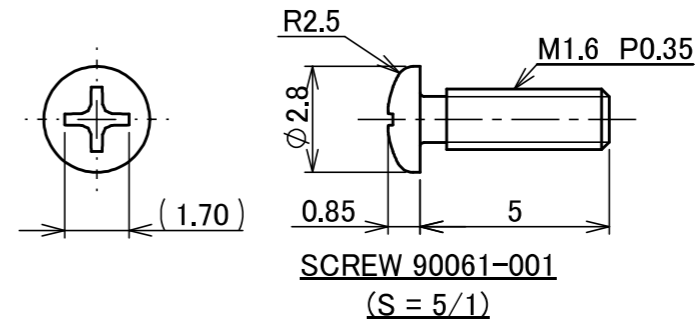
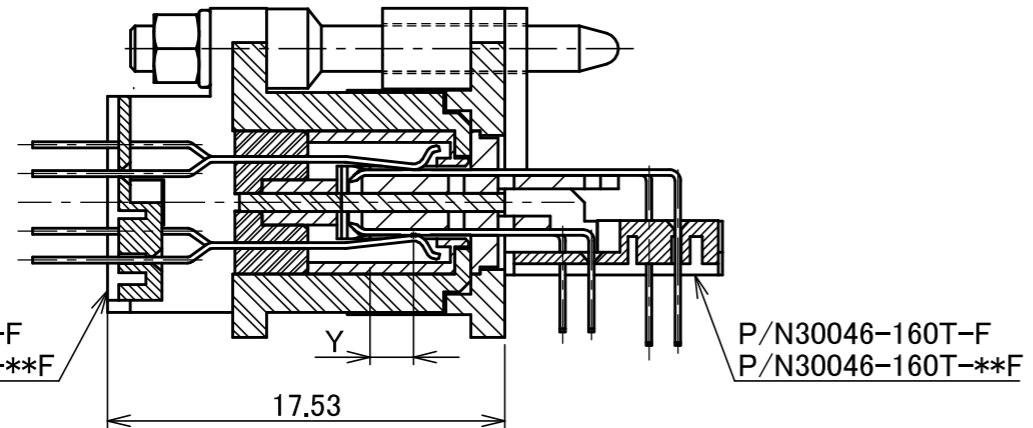
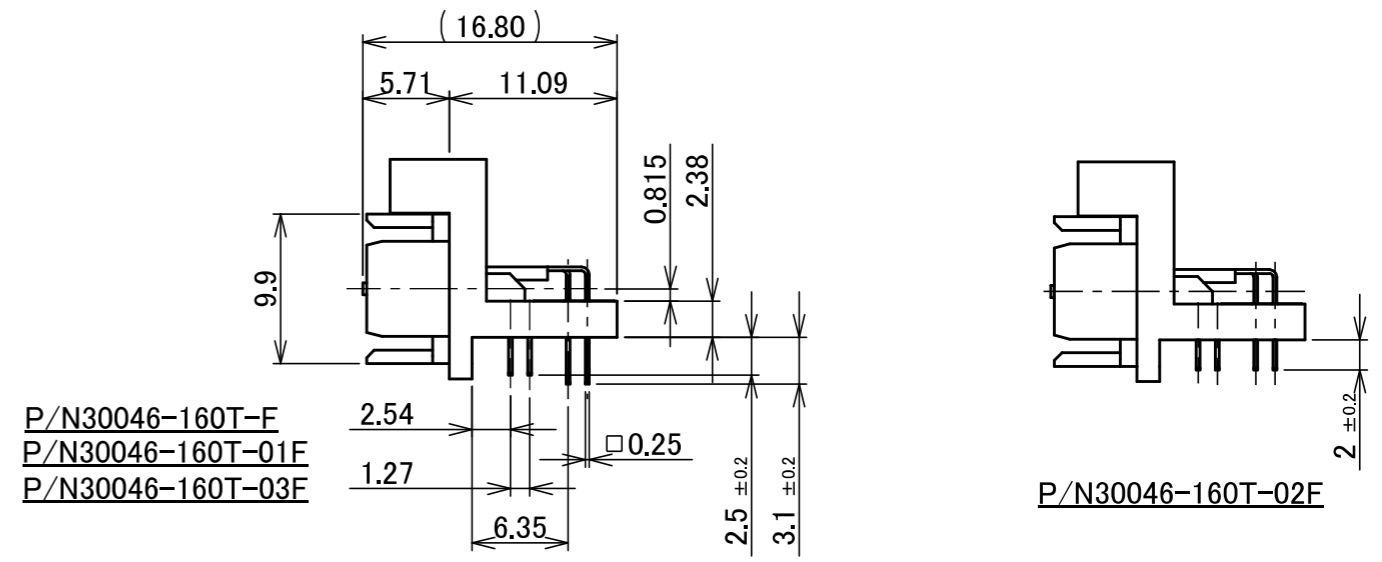
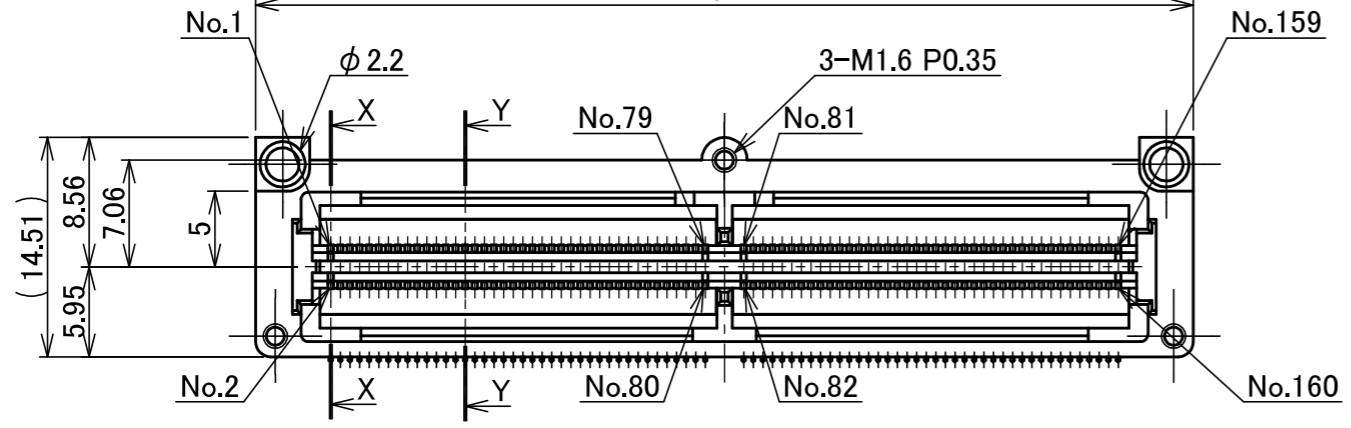
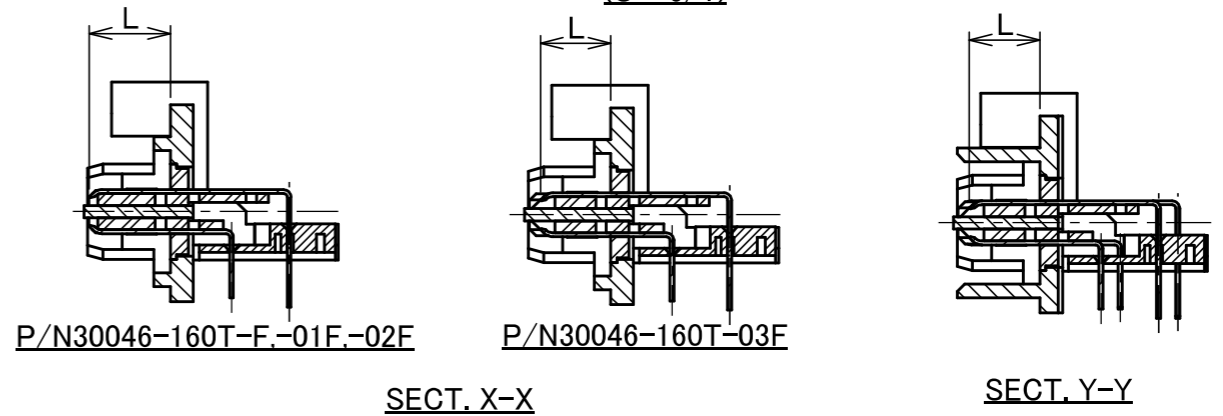
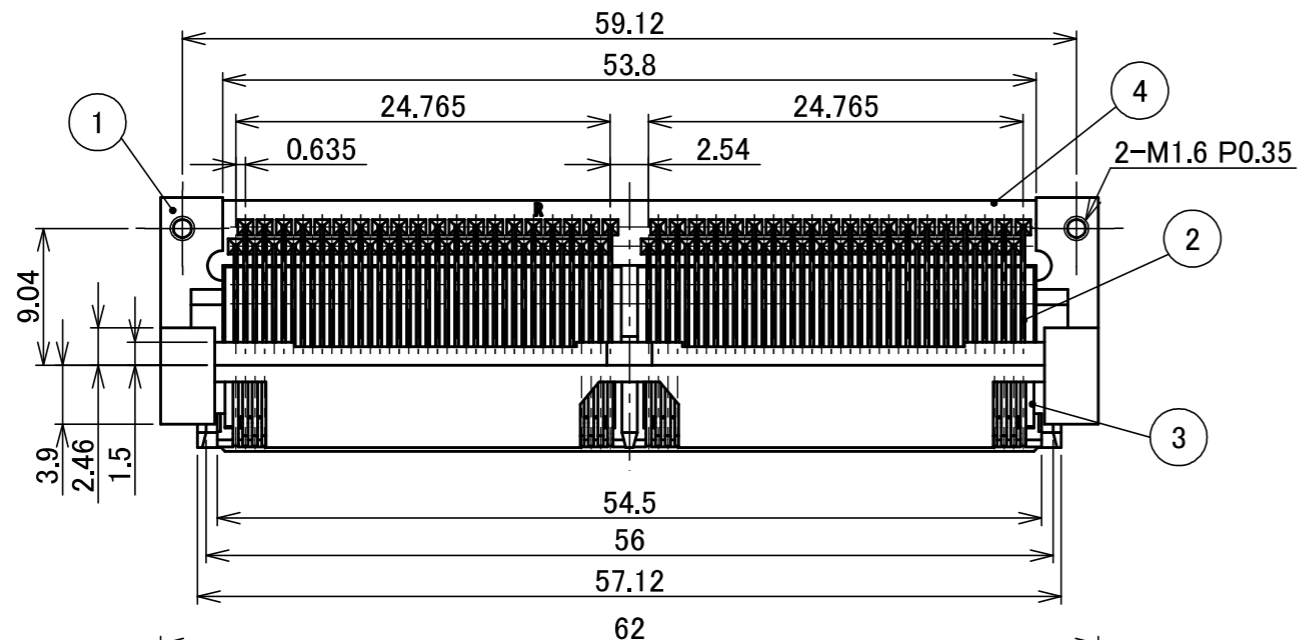


Recommended P/N 30046-160T-F

PART NO.	No. OF POS.	Y (MATING TRAVEL OF C/T)	CIRCUIT No. / L=CONTACT LENGTH		NOTES
			L=5.36	L=4.66	
30046-160T-F	160P	1.4, 2.1	No.1, 2, 79, 80, 81, 82, 159, 160	OTHERS	WITH SCREW
30046-160T-01F					NO SCREW
◆ 30046-160T-02F					WITH SCREW
30046-160T-03F					ALL



◆:MARK MEANS NOT AVAILABLE.



NO.	DESCRIPTION	MATERIAL	FINISH, REMARKS
4	LOCATOR PLATE	PA	BLACK UL94V-0
3	PLUG INSULATOR	PPS	BLACK UL94V-0
2	PLUG CONTACT	COPPER ALLOY	Au PLATING
1	PLUG SHELL	Zn ALLOY	Ni PLATING

NO.	DESCRIPTION	MATERIAL	FINISH, REMARKS
19	Z241576 R.TA Nov./27/'24 S.S	ANGLE ±2° 6 OVER 30 MAX.	±0.3
18	Z240897 K.W July/09/'24 S.S	6 MAX. ±0.2 30 OVER 120 MAX.	±0.5
17	Z240688 Y.I Jun./06/'24 M.T	GENERAL TOLERANCE.	
16	Z220921 Y.B Aug./16/'22 Y.H	DWG. T.Takano DATE 1997/03/10	
15	Z220241 M.H Mar./18/'22 Y.H	CHK. T.Harada	
14	Z191328 IMI Oct./01/'19 Y.S	APP. K.Katabuchi	

REV.	ECN	BY	DATE	APP.	DWG. No.	SERIES No.	TITLE	SCALE	SHEET	REV.
					30046	R2	MINIDOCK™ Slim Type RIGHT ANGLE PLUG	2:1	1/4	19

NOTES  
 1. CONNECTOR TO BE MATED : 30047, 30056  
 2. ALLOWANCE DIMENSION OF GUIDE PIN : 0.8 mm

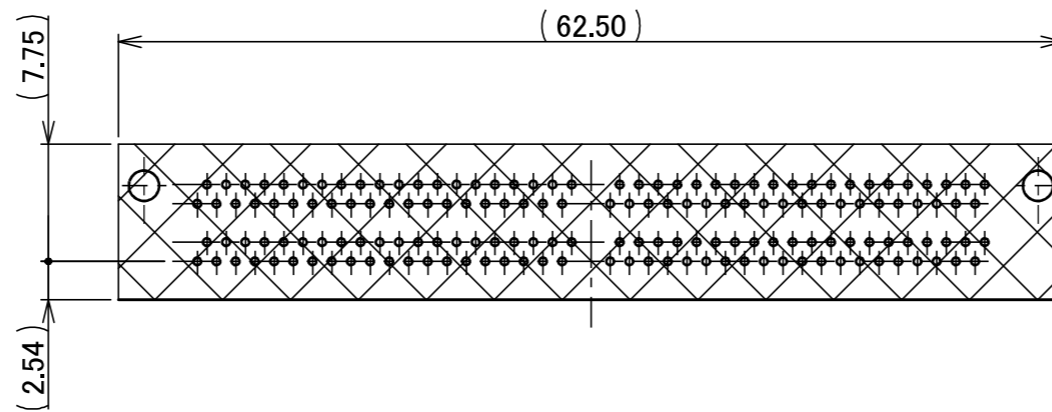
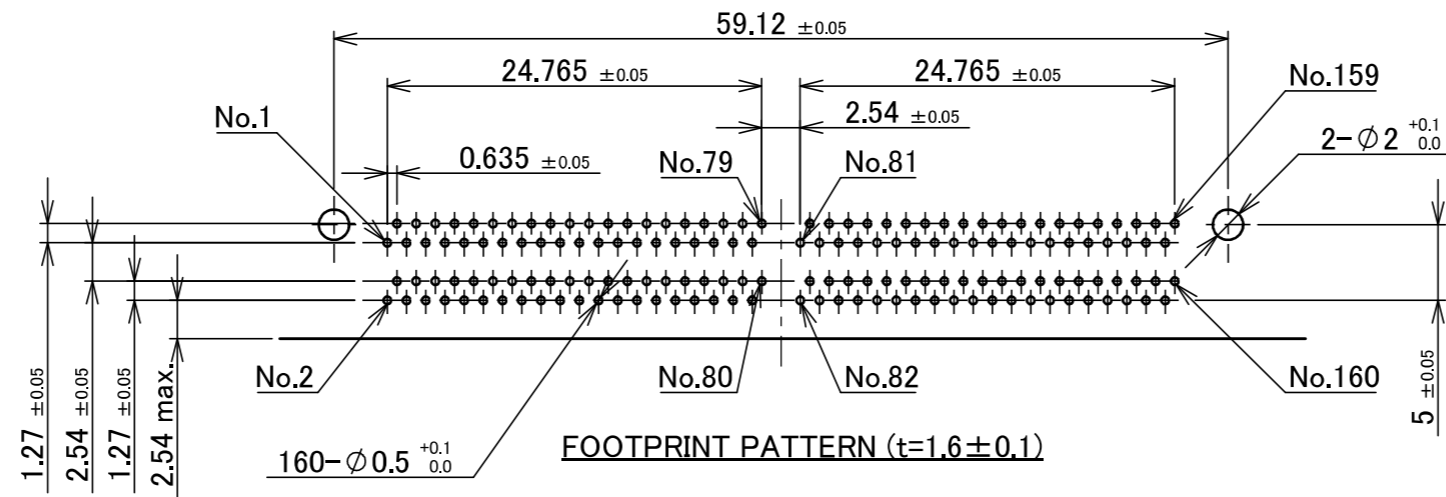
Confidential C

I-PEX Inc.

QKE-DFE06-02 REV.12

ITEMS	SPECIFICATION
RATING VOLTAGE	250V AC (PER CONTACT PIN)
RATING AMPERAGE (FOR CONTACT)	0.5A AC/DC (PER CONTACT PIN)
OPERATING TEMPERATURE	208~358K(-65°C~+85°C)
OPERATING HUMIDITY	85% MAX.
CONTACT RESISTANCE (FOR CONTACT)	INITIAL : 70mohm MAX. / AFTER TEST : $\triangleleft$ 25mohm MAX.
INSULATION RESISTANCE	INITIAL : 10,000Mohm MIN. / AFTER TEST : 1,000MIN.
DIELECTRIC WITHSTANDING VOLTAGE	AC500V 1min
DURABILITY	5,000 CYCLES
MATING FORCE (INITIAL / AFTER TEST)	0.9N/pos. MAX.
UNMATING FORCE (INITIAL / AFTER TEST)	0.059N/pos. MIN.
COPLANARITY	-
PRODUCT SPECIFICATION	PRS-1011
TEST REPORT	TR-9020
PACKING STANDARD	300-106
INSTRUCTION MANUAL	-
APPEARANCE CRITERIA No.	QLS-A***

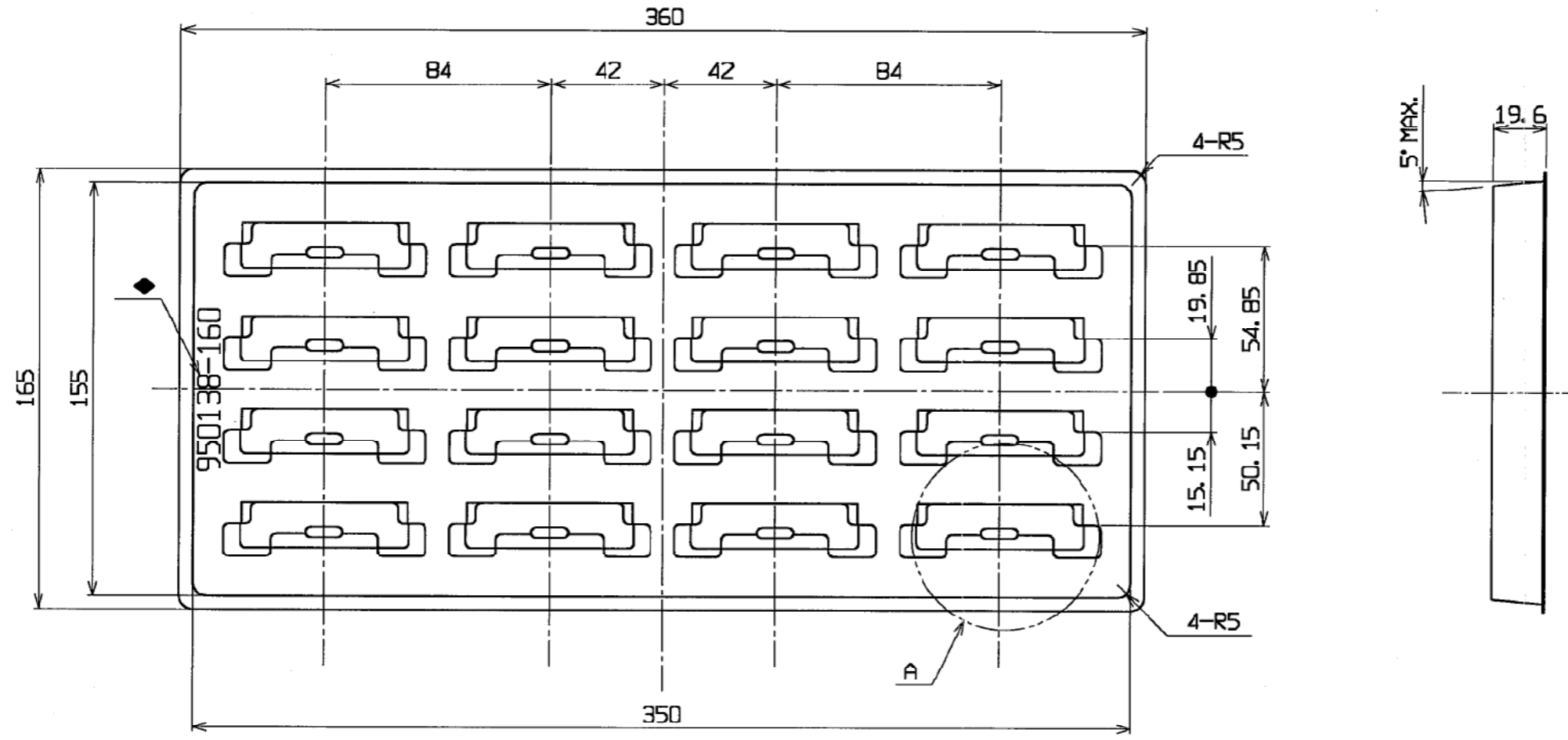
ANGLE	$\pm 2^\circ$	6 OVER 30 MAX.	$\pm 0.3$	PROJECTION 	SERIES No. R2	CUSTOMER COPY	
6 MAX.	$\pm 0.2$	30 OVER 120 MAX.	$\pm 0.5$			SCALE	<b>I-PEX</b>
GENERAL TOLERANCE.				TITLE MINIDOCK™ Slim Type RIGHT ANGLE PLUG	UNIT	SIZE SHEET REV. A3 2/4 19	
DWG.	DATE		mm				
CHK.							
APP.			DWG. No. 30046				



**DO NOT MOUNT ANY OTHER COMPONENTS IN THIS AREA**

ANGLE	±2°	6 OVER 30 MAX.	±0.3	PROJECTION ⊕	SERIES No. R2	CUSTOMER COPY			
	6 MAX.	±0.2	30 OVER 120 MAX.						±0.5
GENERAL TOLERANCE.				TITLE		SCALE	<b>I-PEX</b>		
DWG.	DATE			MINIDOCK™ Slim Type RIGHT ANGLE PLUG		2:1			
CHK.						UNIT			
APP.						mm			
				DWG. No.	30046	SIZE	SHEET	REV.	
						A3	3/4	19	

PART NO.	Pos.	QTY. SHIPPING TRAY	QTY. PACKING CARTON
30046-160T-F	160P	16 × 3 = 48	48 × 4 = 192
30046-160T-0*F			



NO.	DESCRIPTION	MATERIAL	FINISH , REMARKS
5	TRAY	PET	-

ANGLE	±2°	6 OVER 30 MAX.	±0.3	PROJECTION ⊕	SERIES No. R2	TITLE MINIDOCK™ Slim Type RIGHT ANGLE PLUG	SCALE	CUSTOMER COPY  <b>I-PEX</b>	
	6 MAX.	±0.2	30 OVER 120 MAX.				±0.5		1:X
GENERAL TOLERANCE.							UNIT		mm
DWG.	DATE						SIZE		
CHK.							SHEET	4/4	
APP.							REV.	19	
					DWG. No.	30046			

Confidential C

I-PEX Inc.

QKE-DFE06-02 REV.12