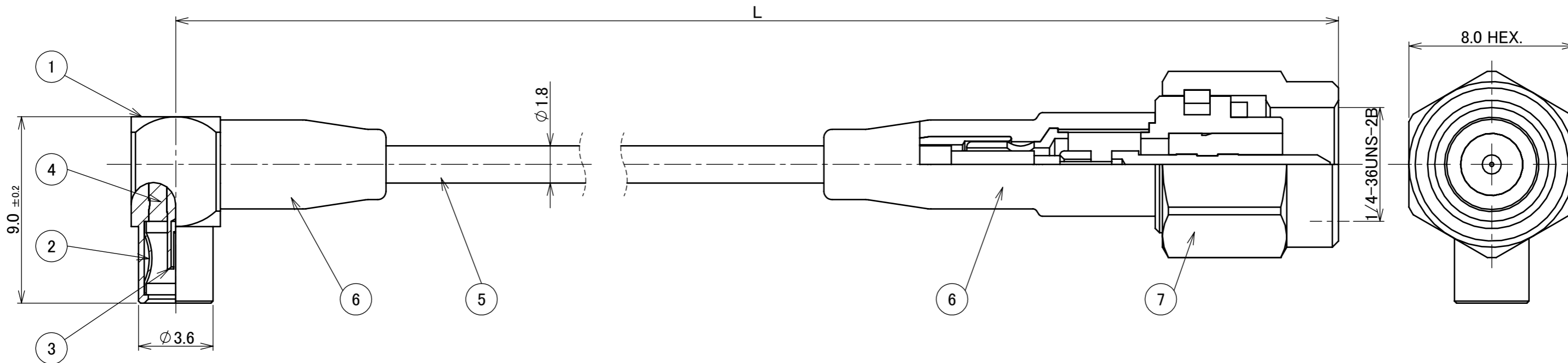
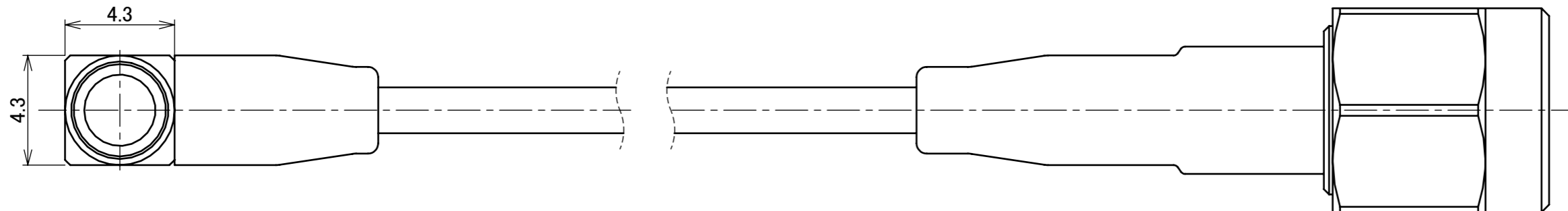
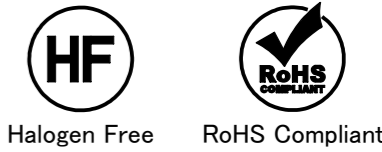


Recommended P/N 90577-****

PART NO.	L (mm)
90577-0100	100 ⁺¹⁰ / ₀
90577-0350	350 ⁺²⁰ / ₀
90577-0750	750 ⁺³⁰ / ₀



NOTES

1. APPLICATIONS

- MHF RECEPTACLE HIGH CYCLE N45 C ADAPTER (PART NO. 90575-0001)
- MHF 4 RECEPTACLE HIGH CYCLE N45 C ADAPTER (PART NO. 90576-0001)
- MHF 5 RECEPTACLE HIGH CYCLE N45 C ADAPTER (PART NO. 90847-0001)

7	SMA-PLUG	-	
6	HEAT SHRINKABLE TUBE	-	
5	COAXIAL CABLE	-	BLACK
4	INSULATOR	PTFE	
3	SOCKET CONTACT	BERYLLIUM COPPER	ALL OVER Ni Au 0.8 μm MIN.
2	DRUM SPRING	BERYLLIUM COPPER	Au 0.3 μm
1	SHELL	BRASS	Ni 1.0 μm MIN.
NO.	DESCRIPTION	MATERIAL	FINISH, REMARKS
10	Z211527 K.W	2021/12/13 M.T	ANGLE ±2° 6 OVER 30 MAX. ±0.3
9	Z190618 K.I	2019/05/08 Y.H	6 MAX. ±0.2 30 OVER 120 MAX. ±0.5
8	Z190283 Y.I	2019/02/27 Y.H	GENERAL TOLERANCE.
7	Z151404 Yufu	2015/12/08 Ken	DWG. DATE K.Nisiyama 2012/03/12
6	Z131027 S.H	2013/11/11 Tom	CHK.
5	Z121033 H.K	2012/12/03 E.K	APP.
REV.	ECN	BY	DATE APP.
REVISION RECORD			
		E.Kawabe	
PROJECTION		SERIES No. R1	
TITLE		CUSTOMER COPY	
MHF® SERIES N45 C TO SMA ADAPTER CABLE		SCALE	I-PEX
		5:1	
		UNIT	
		mm	
DWG. No. 90577		SIZE	
		A3	
		SHEET	
		1/3	
		REV.	
		10	

Recommended P/N 90577-J***

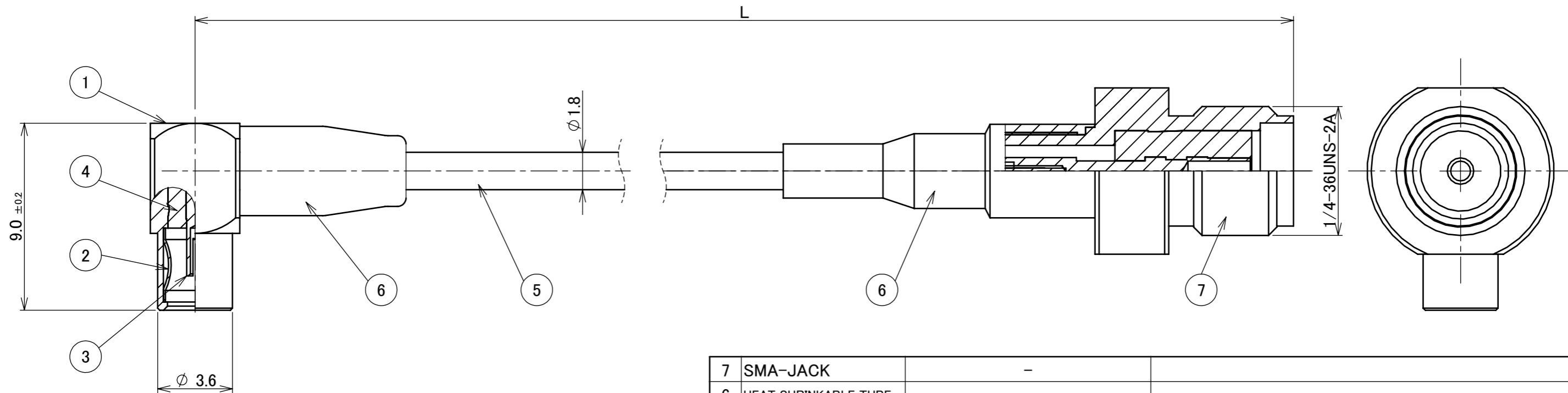
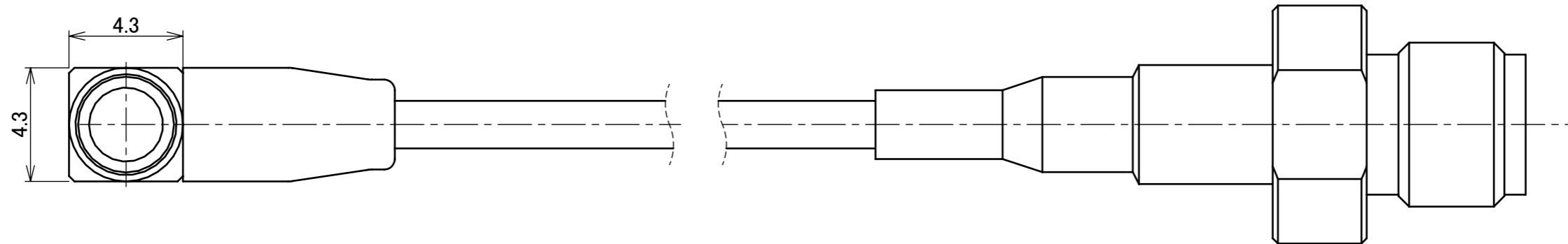
PART NO.	L (mm)
90577-J100	100 ⁺¹⁰ ₀
90577-J150	150 ⁺¹⁰ ₀



Halogen Free



RoHS Compliant



7	SMA-JACK	-	
6	HEAT SHRINKABLE TUBE	-	
5	COAXIAL CABLE	-	BLACK
4	INSULATOR	PTFE	
3	SOCKET CONTACT	BERYLLIUM COPPER	ALL OVER Ni Au 0.8 μm MIN.
2	DRUM SPRING	BERYLLIUM COPPER	Au 0.3 μm
1	SHELL	BRASS	Ni 1.0 μm MIN.
NO.	DESCRIPTION	MATERIAL	FINISH , REMARKS

NOTES

1. APPLICATIONS

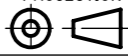

MHF RECEPTACLE HIGH CYCLE N45 C ADAPTER
(PART NO. 90575-0001)

MHF 4 RECEPTACLE HIGH CYCLE N45 C ADAPTER
(PART NO. 90576-0001)

MHF 5 RECEPTACLE HIGH CYCLE N45 C ADAPTER
(PART NO. 90847-0001)

					ANGLE	±2°	6 OVER 30 MAX.	±0.3	PROJECTION ⊕	SERIES No. R1	CUSTOMER COPY		
						6 MAX.	±0.2	30 OVER 120 MAX.				±0.5	
					GENERAL TOLERANCE.				TITLE MHF® SERIES N45 C TO SMA ADAPTER CABLE	SCALE	I-PEX		
					DWG.	DATE				5:1			
					CHK.					UNIT			
REV.	ECN	BY	DATE	APP.	APP.				DWG. No.	90577	SIZE	SHEET	REV.
REVISION RECORD										A3	2/3	10	

ITEMS	SPECIFICATION
APPLICATION (REPRESENTATIVE)	MHF I RECEPTACLE HIGH CYCLE N45 C ADAPTER (PART NO. 90575-0001) MHF 4 RECEPTACLE HIGH CYCLE N45 C ADAPTER (PART NO. 90576-0001) MHF 5 RECEPTACLE HIGH CYCLE N45 C ADAPTER (PART NO. 90847-0001)
OPERATING TEMPERATURE	243 ~ 343 K (-40°C~+70°C)
OPERATING HUMIDITY	85% MAX.(NON-CONDENSING)
SPEC	MHF I : SEE DWG No.90575 MHF 4 : SEE DWG No.90576 MHF 5 : SEE DWG No.90847
DURABILITY	100 CYCLES MAX.
PACKING STANDARD	PST-12054
APPEARANCE CRITERIA No.	QLS-A***

ANGLE	±2°	6 OVER 30 MAX.	±0.3	PROJECTION 	SERIES No. R1	CUSTOMER COPY		
6 MAX.	±0.2	30 OVER 120 MAX.	±0.5					
GENERAL TOLERANCE.				TITLE MHF® SERIES N45 C TO SMA ADAPTER CABLE	SCALE 5:1 UNIT mm			
DWG.	DATE							
CHK.								
APP.								
				DWG. No.	90577	SIZE A3	SHEET 3/3	REV. 10