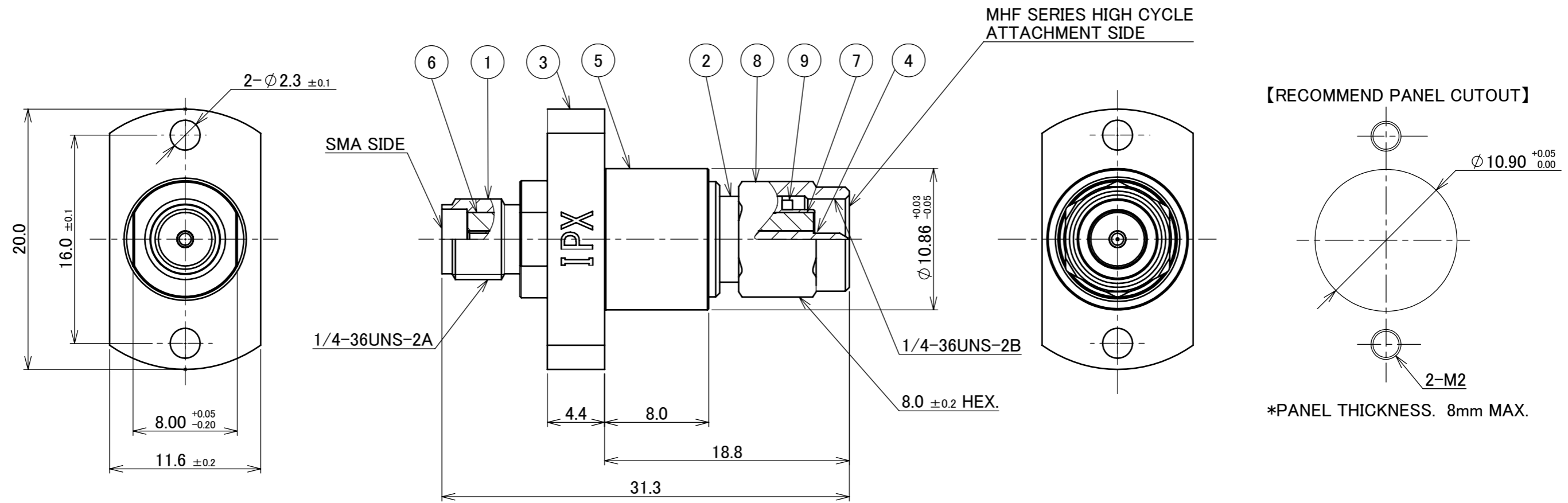
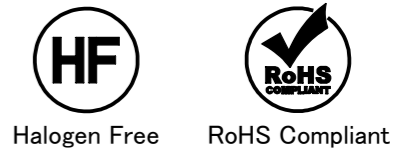
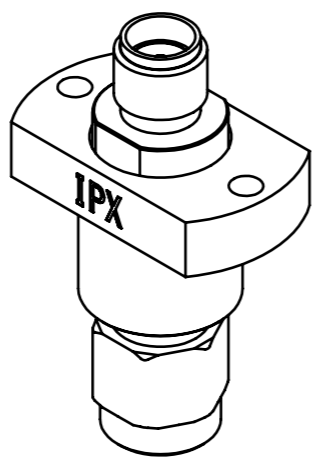
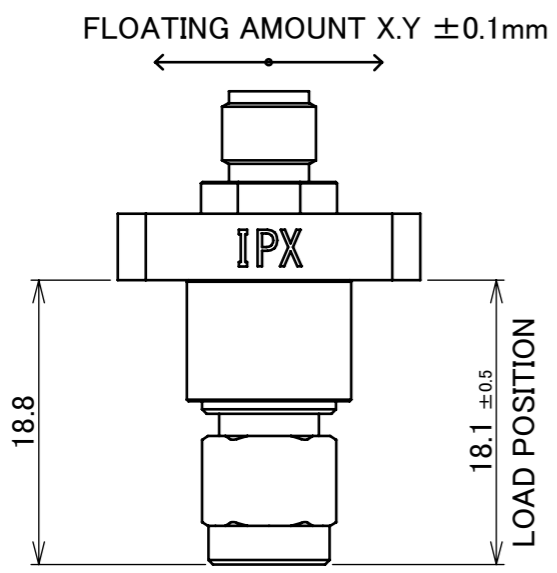


PART NO.
90684-0001



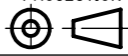
【RECOMMEND LOAD POSITION】



NO.	DESCRIPTION	MATERIAL	FINISH, REMARKS
9	GASKET	SILICONE	
8	COUPLING NUT	STAINLESS STEEL	PASSIVATION
7	INSULATOR B	PTFE	
6	INSULATOR A	PTFE	
5	RING	BRASS	Ni 1.0 μm MIN.
4	SMA CONTACT	BERYLLIUM COPPER	Au 1.0 μm MIN. OVER Ni 1.0 μm MIN.
3	FLANGE	STAINLESS STEEL	PASSIVATION
2	SMA PLUG SHELL	STAINLESS STEEL	Ni 1.0 μm MIN.
1	SMA JACK SHELL	STAINLESS STEEL	PASSIVATION

NO.	DESCRIPTION	MATERIAL	FINISH, REMARKS																								
<table border="0"> <tr> <td>ANGLE</td> <td>±2°</td> <td>6 OVER 30 MAX.</td> <td>±0.3</td> </tr> <tr> <td></td> <td>6 MAX.</td> <td>±0.2</td> <td>30 OVER 120 MAX.</td> </tr> <tr> <td colspan="4">GENERAL TOLERANCE.</td> </tr> <tr> <td>DWG.</td> <td>Y.Hashimoto</td> <td>DATE</td> <td>2014/04/04</td> </tr> <tr> <td>CHK.</td> <td colspan="3">K.Yotsutani</td> </tr> <tr> <td>APP.</td> <td colspan="3">T.Takano</td> </tr> </table>				ANGLE	±2°	6 OVER 30 MAX.	±0.3		6 MAX.	±0.2	30 OVER 120 MAX.	GENERAL TOLERANCE.				DWG.	Y.Hashimoto	DATE	2014/04/04	CHK.	K.Yotsutani			APP.	T.Takano		
ANGLE	±2°	6 OVER 30 MAX.	±0.3																								
	6 MAX.	±0.2	30 OVER 120 MAX.																								
GENERAL TOLERANCE.																											
DWG.	Y.Hashimoto	DATE	2014/04/04																								
CHK.	K.Yotsutani																										
APP.	T.Takano																										
<table border="0"> <tr> <td>PROJECTION</td> <td>SERIES No.</td> <td>CUSTOMER COPY</td> </tr> <tr> <td></td> <td>-</td> <td></td> </tr> </table>			PROJECTION	SERIES No.	CUSTOMER COPY		-		<table border="0"> <tr> <td>TITLE</td> <td>SCALE</td> </tr> <tr> <td>MHF® SERIES HIGH CYCLE SMA ADAPTER BASE UNIT</td> <td>5:1</td> </tr> <tr> <td></td> <td>UNIT</td> </tr> <tr> <td></td> <td>mm</td> </tr> <tr> <td>DWG. No.</td> <td>SIZE SHEET</td> </tr> <tr> <td>90684</td> <td>A3 1/2</td> </tr> <tr> <td></td> <td>REV.</td> </tr> <tr> <td></td> <td>2</td> </tr> </table>	TITLE	SCALE	MHF® SERIES HIGH CYCLE SMA ADAPTER BASE UNIT	5:1		UNIT		mm	DWG. No.	SIZE SHEET	90684	A3 1/2		REV.		2		
PROJECTION	SERIES No.	CUSTOMER COPY																									
	-																										
TITLE	SCALE																										
MHF® SERIES HIGH CYCLE SMA ADAPTER BASE UNIT	5:1																										
	UNIT																										
	mm																										
DWG. No.	SIZE SHEET																										
90684	A3 1/2																										
	REV.																										
	2																										
<table border="0"> <tr> <td>REV.</td> <td>ECN</td> <td>BY</td> <td>DATE</td> <td>APP.</td> </tr> <tr> <td></td> <td></td> <td></td> <td></td> <td></td> </tr> </table>				REV.	ECN	BY	DATE	APP.																			
REV.	ECN	BY	DATE	APP.																							

ITEMS	SPECIFICATION
RECOMMENDED APPLICABLE CONNECTOR PART No.	MHF I RECEPTACLE HIGH CYCLE ATTACHMENT P/N:90416-001 MHF 4 RECEPTACLE HIGH CYCLE ATTACHMENT P/N:90683-0001 MHF 5 RECEPTACLE HIGH CYCLE ATTACHMENT P/N:90690-0001
OPERATING TEMPERATURE	233~358 K (-30°C~+70°C)
SPEC	MHF I : SEE DWG No.90416 MHF 4 : SEE DWG No.90683 MHF 5 : SEE DWG No.90690
DURABILITY	200,000 CYCLES
APPEARANCE CRITERIA No.	QLS-A***

ANGLE	±2°	6 OVER 30 MAX.	±0.3	PROJECTION 	SERIES No. -	CUSTOMER COPY		
6 MAX.	±0.2	30 OVER 120 MAX.	±0.5					
GENERAL TOLERANCE.				TITLE MHF® SERIES HIGH CYCLE SMA ADAPTER BASE UNIT	SCALE 5:1	I-PEX		
DWG.	DATE							
CHK.								
APP.								
				DWG. No.	90684	SIZE A3	SHEET 2/2	REV. 2