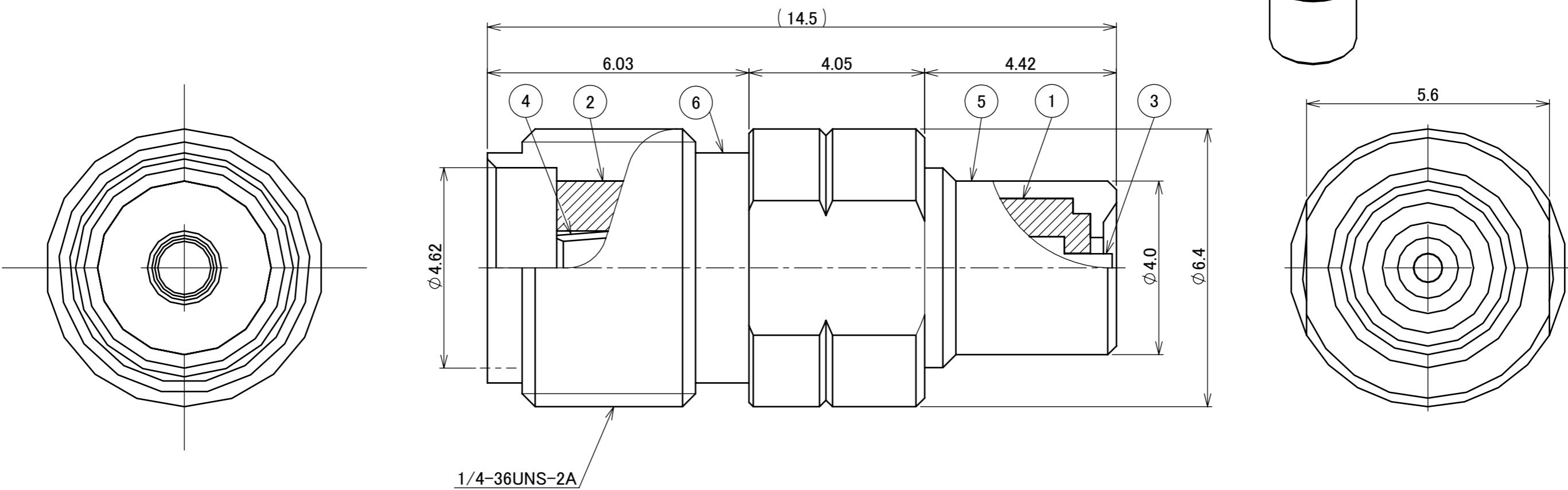
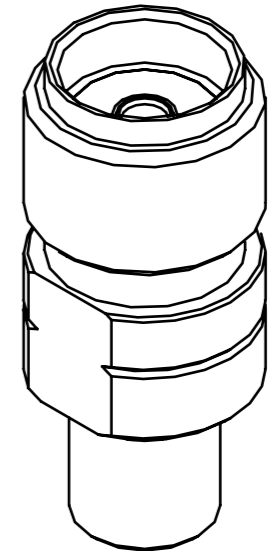
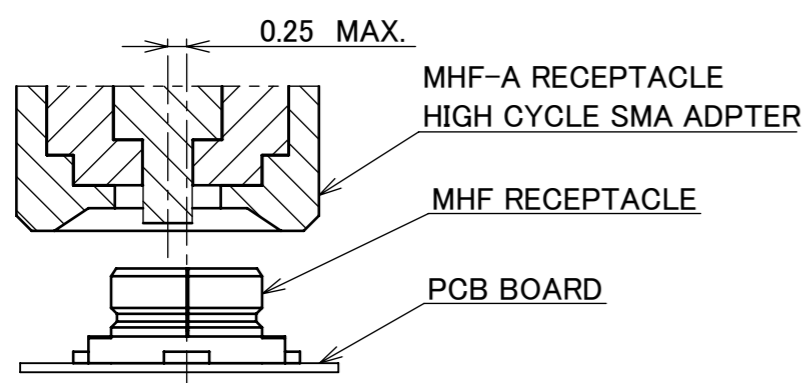


PART NO.
90416-001



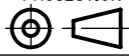
NOTES.
1. AXIAL MISALIGNMENT DISTANCE : 0.25mm MAX.



6	SHELL	PASSIVED STAINLESS STEEL	
5	OUTER CONTACT	BRASS	Au OVER Ni
4	SOCKET CONTACT	BERYLLIUM COPPER	Au OVER Ni
3	INNER CONTACT	BRASS	Au OVER Ni
2	REAR INSULATOR	FLUORINE PLASTICS	
1	INSULATOR	FLUORINE PLASTICS	
NO.	DESCRIPTION	MATERIAL	FINISH , REMARKS

8	Z191429	S.M	2019/10/30	Y.H	ANGLE	±2°	6 OVER 30 MAX.	±0.3	PROJECTION ⊕	SERIES No. R0	CUSTOMER COPY	
7	Z190611	K.I	2019/05/07	Y.H	6 MAX.	±0.2	30 OVER 120 MAX.	±0.5				
6	Z11263	A.F	2011/06/09	E.K	GENERAL TOLERANCE.				TITLE MHF® RECEPTACLE HIGH CYCLE FC SMA ADAPTER	SCALE 10:1 UNIT mm	I-PEX	
5	Z09331	Y.H	2009/07/09	T.H	DWG.	Y.Hashimoto	DATE	2006/12/14				
4	Z07630	D.J	2007/12/14	T.H	CHK.	-	DATE	-				
3	Z07033	Y.H	2007/01/23	E.K	APP.	E.Kawabe	DATE	2006/12/14				
REV.	ECN	BY	DATE	APP.	APP.	DATE	DWG. No.	90416		SIZE A3	SHEET 1/2	REV. 8

ITEMS	SPECIFICATION
APPLICABLE CONNECTOR PART No.	MHF:20279-001E-0*, 20314-001E-01* 20431-001E-0*, 20441-001E-01 MHF-A:20429-001E
RATING FREQUENCY	DC~6GHz
NOMINAL CHARACTERISTIC IMPEDANCE	50ohm
VSWR	1.3 MAX. (DC~3GHz), 1.5 MAX.(3GHz~6GHz)
INSULATION RESISTANCE	500Mohm MIN.(DC100V)
DIELECTRIC WITHSTANDING VOLTAGE	AC300V 1min
DURABILITY	10,000CYCLES
PRODUCT SPECIFICATION	-
TEST REPORT	-
PACKING STANDARD	PST-12033
INSTRUCTION MANUAL	-

ANGLE	±2°	6 OVER 30 MAX.	±0.3	PROJECTION 	SERIES No. R0	CUSTOMER COPY
	6 MAX.	±0.2	30 OVER 120 MAX.			
GENERAL TOLERANCE.				TITLE MHF® RECEPTACLE HIGH CYCLE FC SMA ADAPTER	SCALE -	UNIT mm
DWG.	DATE					
CHK.	DATE					
APP.	DATE					
				DWG. No.	90416	SIZE A3
				SHEET	2/2	REV. 8