

Recommended P/N 90193-001

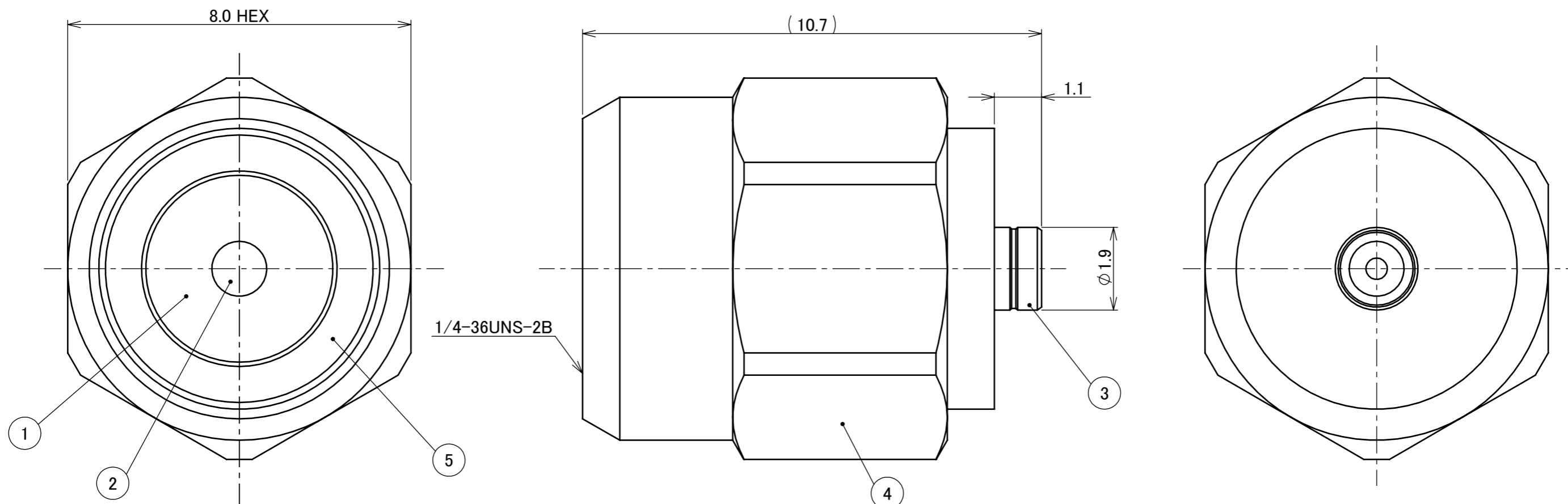
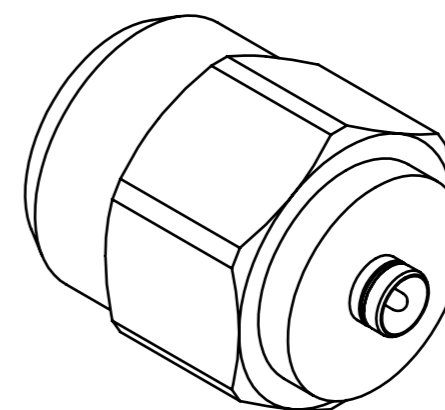
PART NO.	MATERIAL OF CONTACT
90193-001	BRASS
90193-001-F	STAINLESS



Halogen Free



RoHS Compliant



5	GASKET	RUBBER						
4	NUT	STAINLESS STEEL	PASSIVIATION					
3	SHELL	STAINLESS STEEL	Au 0.3 μ m MIN. OVER Ni 1.0 μ m MIN.					
2	CONTACT	BRASS OR STAINLESS	Au 1.0 μ m MIN. OVER Ni 1.0 μ m MIN.					
1	INSULATOR	FLUORINE PLASTICS						
NO.	DESCRIPTION	MATERIAL	FINISH , REMARKS					
8	Z241407 TOI 2024/10/09 Yufu	ANGLE $\pm 2^\circ$ 6 OVER 30 MAX. ± 0.3	PROJECTION SERIES No. R0 CUSTOMER COPY					
7	Z211527 K.W 2021/12/13 M.T	6 MAX. ± 0.2 30 OVER 120 MAX. ± 0.5						
6	Z190666 K.I 2019/05/20 Y.H	GENERAL TOLERANCE.						
5	Z13796 T.S 2013/08/27 E.K	DWG. K.Oobayashi DATE 2001/10/01	TITLE MHF [®] I SMA ADAPTER SCALE 10:1 UNIT mm					
4	Z08145 K.O 2008/03/27 E.K	CHK. E.Kawabe						
3	Z08116 K.O 2008/03/12 E.K	APP. K.Katabuchi						
REV.	ECN	BY	DATE	APP.	DWG. No. 90193	SIZE A3	SHEET 1/3	REV. 8

Recommended P/N

90193-002

PART NO.

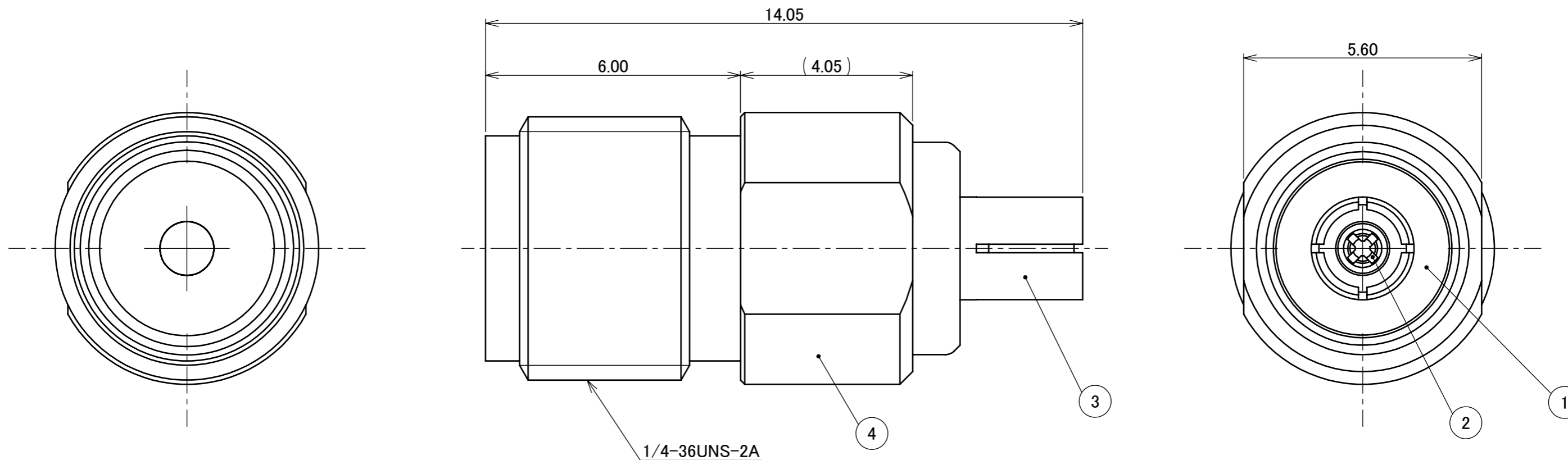
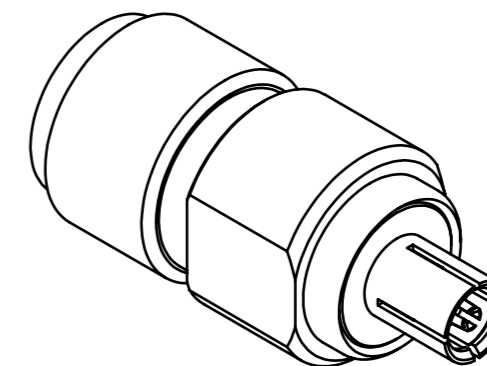
90193-002



Halogen Free

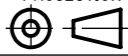


RoHS Compliant



4	SHELL	STAINLESS STEEL	PASSIVIATION
3	OUTER CONTACT	BERYLLIUM COPPER	Au 0.3 μm MIN. OVER Ni 1.0 μm MIN.
2	INNER CONTACT	BERYLLIUM COPPER	Au 1.0 μm MIN. OVER Ni 1.0 μm MIN.
1	INSULATOR	FLUORINE PLASTICS	
NO.	DESCRIPTION	MATERIAL	FINISH, REMARKS
		ANGLE ±2° 6 OVER 30 MAX. ±0.3 6 MAX. ±0.2 30 OVER 120 MAX. ±0.5	PROJECTION SERIES No. R0
		GENERAL TOLERANCE.	TITLE MHF® I SMA ADAPTER
		DWG. DATE	SCALE 10:1
		CHK.	UNIT mm
		APP.	SIZE A3 SHEET 2/3 REV. 8
REV.	ECN	BY	DATE
REVISION RECORD			
			DWG. No. 90193

ITEMS	SPECIFICATION	
	90193-001	90193-002
PART No.		
APPLICABLE CONNECTOR PART No.	P/N: 20278-11*R-**, 20308-***R-** 20351-***R-37, 20631-***R-** 20670-001R-**, 20767-001R-20	P/N: 20279-001E-**, 20314-001E-01 20431-001E-01, 20441-001E-01
RATING FREQUENCY	DC~9GHz	
OPERATING TEMPERATURE	233~358K(-40°C~+85°C)	
OPERATING HUMIDITY	85% MAX.(NON-CONDENSING)	
VSWR (MATING WITH 90193-001 AND 90193-002)	1.3 MAX. AT DC~3GHz, 1.5 MAX. AT 3~6GHz, 2.0 MAX. AT 6~9GHz	
DIELECTRIC WITHSTANDING VOLTAGE	AC200V 1min	
DURABILITY	3,000 CYCLES AT MHF SIDE	500 CYCLES AT MHF SIDE
PACKING STANDARD	PST-12033	
APPEARANCE CRITERIA No.	QLS-A**	QLS-A**

ANGLE	±2°	6 OVER 30 MAX.	±0.3	PROJECTION 	SERIES No. R0	CUSTOMER COPY		
	6 MAX.	±0.2	30 OVER 120 MAX.					
GENERAL TOLERANCE.				TITLE MHF® I SMA ADAPTER	SCALE -	I-PEX		
DWG.	DATE							
CHK.								
APP.								
				DWG. No.	90193	SIZE A3	SHEET 3/3	REV. 8