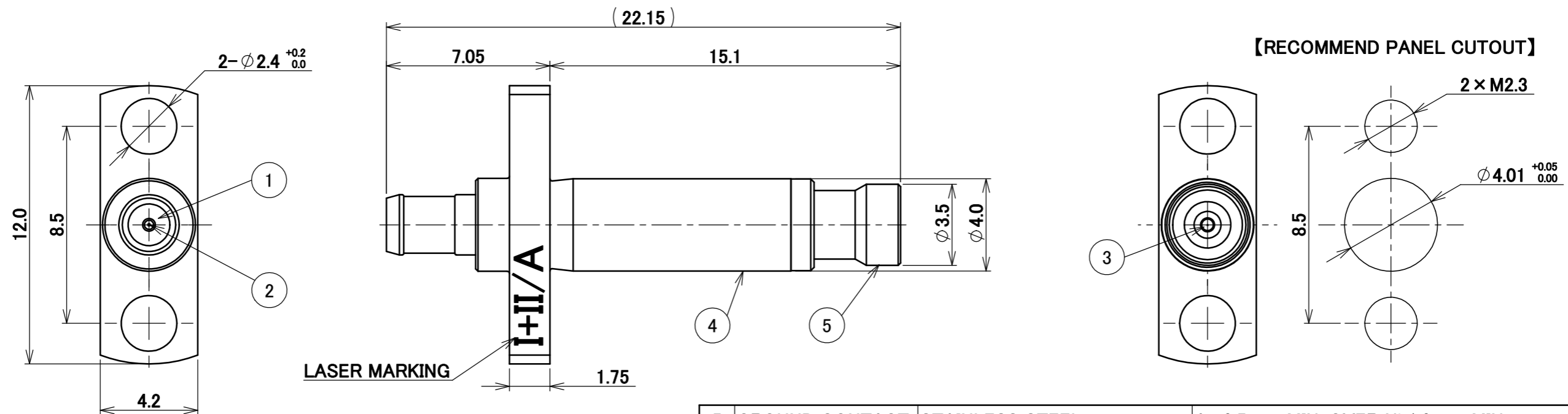
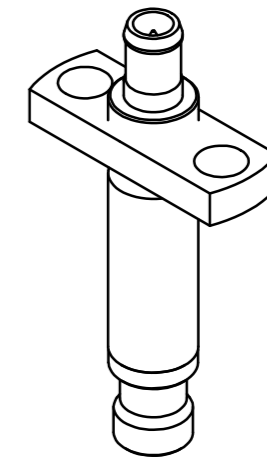
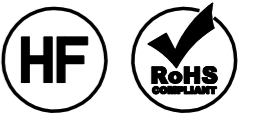
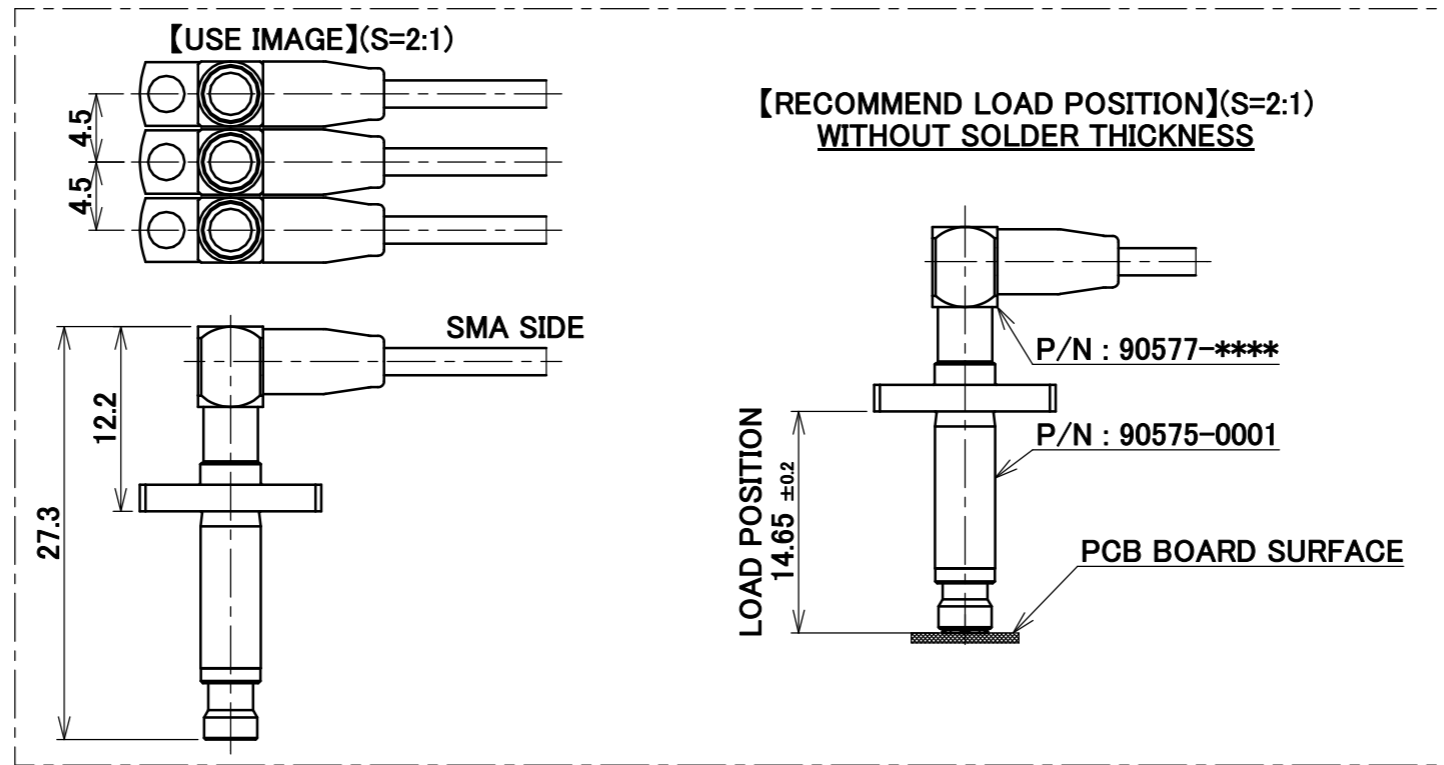
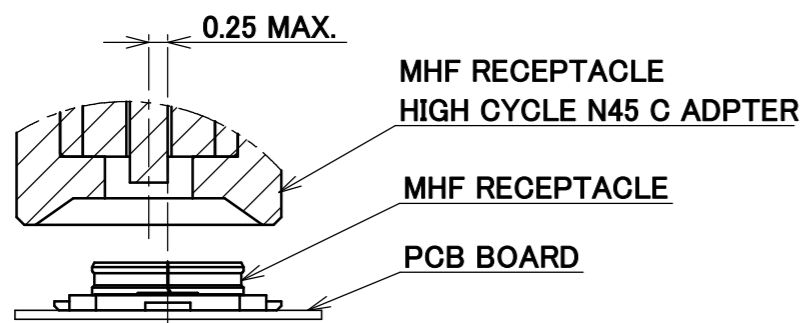


PART NO.  
90575-0001

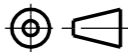


NOTES.  
1. AXIAL MISALIGNMENT DISTANCES :0.25mm MAX.



5	GROUND CONTACT	STAINLESS STEEL	Au 0.5 μm MIN. OVER Ni 1.0 μm MIN,				
4	SHELL	BRASS	Ni 1.0 μm MIN.				
3	CONTACT PROBE	BRASS	Au 1.0 μm MIN. OVER Ni 1.0 μm MIN.				
2	PIN CONTACT	BERYLIUM COPPER	Au 1.0 μm MIN. OVER Ni 1.0 μm MIN.				
1	INSLATOR	PTFE					
NO.	DESCRIPTION	MATERIAL	FINISH , REMARKS				
8	Z190618	K.I	2019/05/08	H.Y	ANGLE ±2° 6 OVER 30 MAX. ±0.3	PROJECTION SERIES No. R1	CUSTOMER COPY
7	Z131027	S.H	2013/11/11	Tom	6 MAX. ±0.2 30 OVER 120 MAX. ±0.5		
6	Z13376	KOH	2013/05/01	E.K	GENERAL TOLERANCE.		TITLE MHF® RECEPTACLE HIGH CYCLE N45 C ADAPTER
5	Z121033	H.K	2012/12/03	Tom	DWG. DATE K.Nishiyama 2012/03/19	SCALE 5:1	
4	Z12973	KOH	2012/11/08	E.K	CHK. DATE	UNIT mm	
3	Z12906	KOH	2012/10/19	Tom	APP. DATE E.Kawabe 2012/03/20	SIZE A3	I-PEX SHEET 1/2 REV. 8
REV.	ECN	BY	DATE	APP.	DWG. No. 90575		

ITEMS	SPECIFICATION
APPLICABLE CONNECTOR PART No.	MHF RECEPTACLE P/N:20279-001E-0*,20314-001E-01,20441-001E-01 MHF-A RECEPTACLE P/N:20429-001E MHF SERIES N45 C TO SMA ADPTER CABLE P/N:90577-0***
RATING FREQUENCY	DC~6GHz
VSWR	1.3 MAX. (DC~3GHz), 1.5 MAX. (3GHz~6GHz)
INSULATION RESISTANCE	500Mohm MIN. at DC100V
DIELECTRIC WITHSTANDING VOLTAGE	AC300V 1min
DURABILITY	RECEPTACLE : 10,000 CYCLES. MHF SERIES N45 C TO SMA ADPTER CABLE : 100 CYCLES.
PRODUCT SPECIFICATION	-
TEST REPORT	-
INSTRUCTION MANUAL	HIM-16016

ANGLE	±2°	6 OVER 30 MAX.	±0.3	PROJECTION 	SERIES No. R1	CUSTOMER COPY
6 MAX.	±0.2	30 OVER 120 MAX.	±0.5			
GENERAL TOLERANCE.				TITLE MHF® RECEPTACLE HIGH CYCLE N45 SMA ADAPTER	SCALE -	UNIT mm
DWG.	DATE					
CHK.	DATE					
APP.	DATE					
				DWG. No.	90575	SIZE A3
				SHEET 2/2		REV. 8