

PART NO.

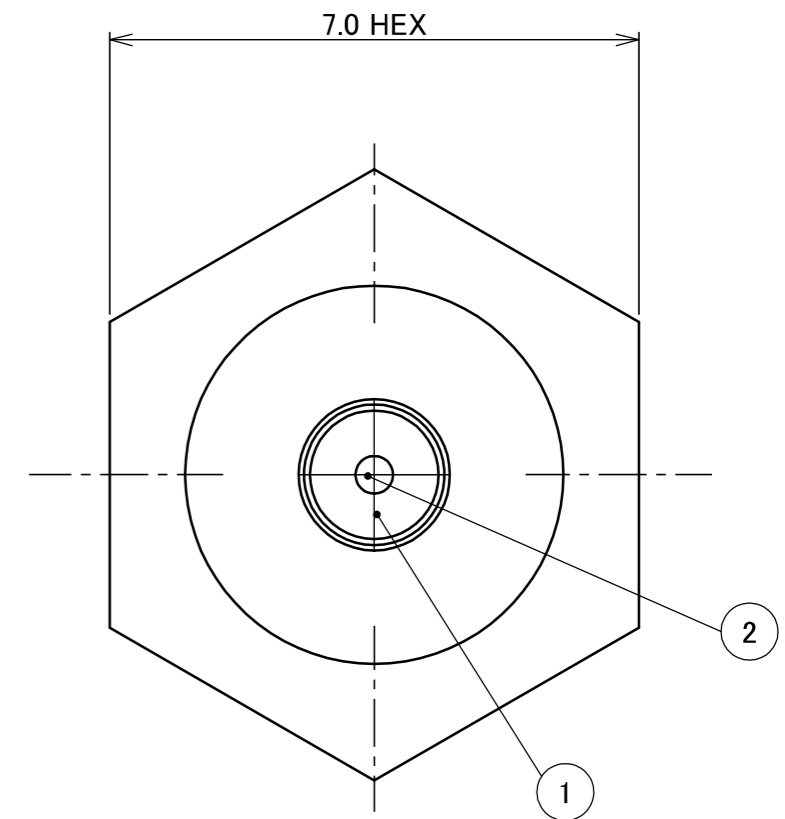
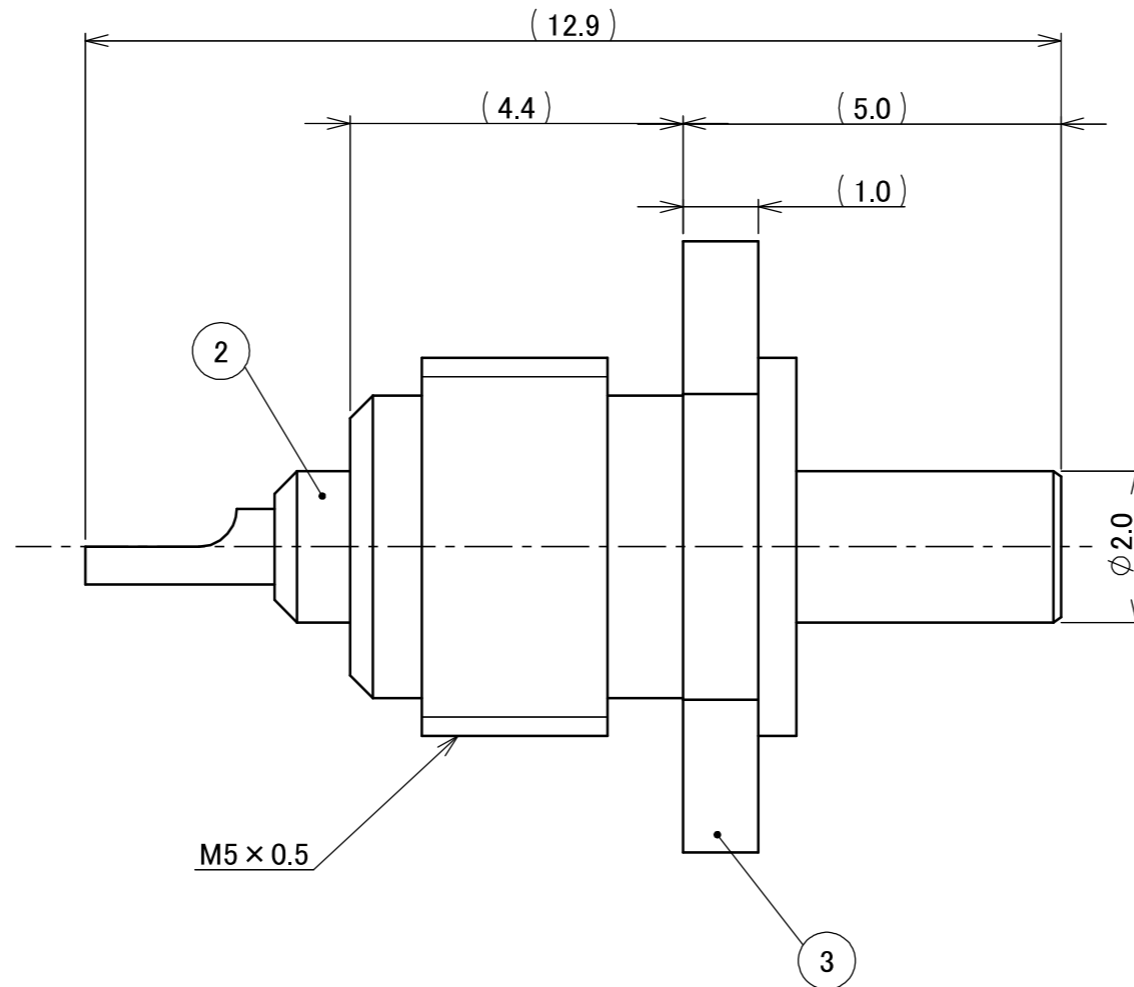
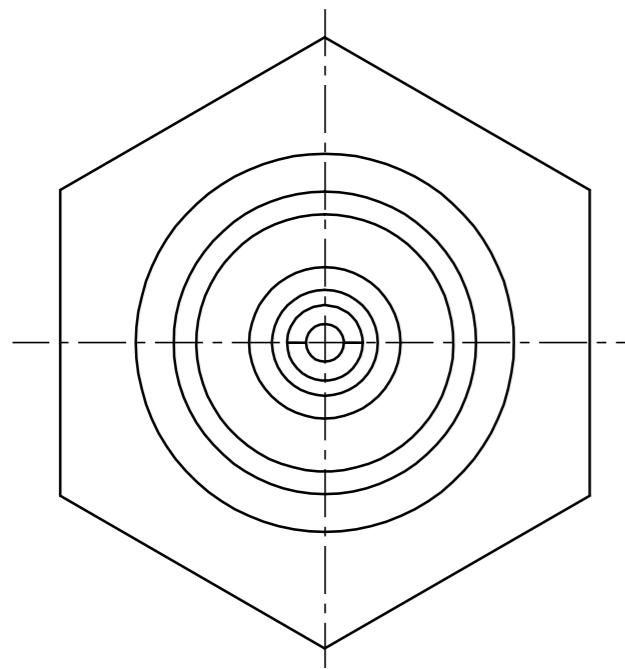
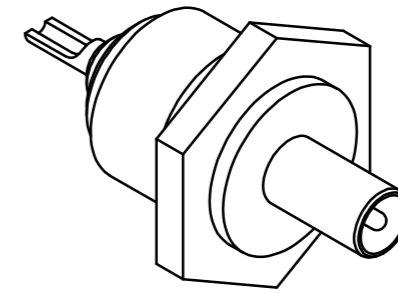
90194-001



Halogen Free



RoHS Compliant



M5 x 0.5

NOTES.

1.APPLICABLE CONNECTOR

P/N: 20278-11*R-**, 20308-***R-**, 20351-***R-37,
20631-***R-**, 20670-001R-**, 20767-001R-20

2.THIS CONNECTOR IS FOR SHORT CIRCUIT INSPECTION
AND DIELECTRIC WITHSTANDING VOLTAGE INSPECTION.

3	SHELL	STAINLESS STEEL	Au 0.3 μ m MIN. OVER Ni 1.0 μ m MIN.	
2	CONTACT	BRASS	Au 1.0 μ m MIN. OVER Ni 1.0 μ m MIN.	
1	INSULATOR	FLUORINE PLASTICS		
NO.	DESCRIPTION	MATERIAL	FINISH , REMARKS	
			ANGLE	$\pm 2^\circ$ 6 OVER 30 MAX. ± 0.3
				6 MAX. ± 0.2 30 OVER 120 MAX. ± 0.5
3	Z241407	TOI	2024/10/09	Yufu
2	Z190562	K.I	2019/04/25	Y.H
1	Z2020	K.O	2002/01/25	E.K
0	Z1214	K.O	2001/10/01	-
REV.	ECN	BY	DATE	APP.
				K.Katabuchi
REVISION RECORD				
			PROJECTION	SERIES No. R1
				CUSTOMER COPY
			TITLE	SCALE
			MHF® I PLUG INSPECTION CONNECTOR	10:1
			DWG. No. 90194	UNIT
				mm
			SIZE	SHEET
			A3	1/1
			REV.	3