

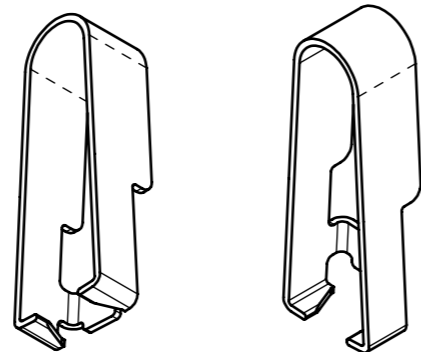
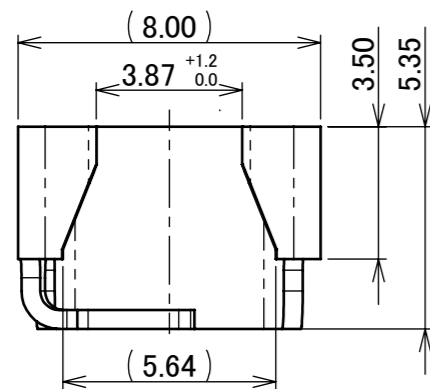
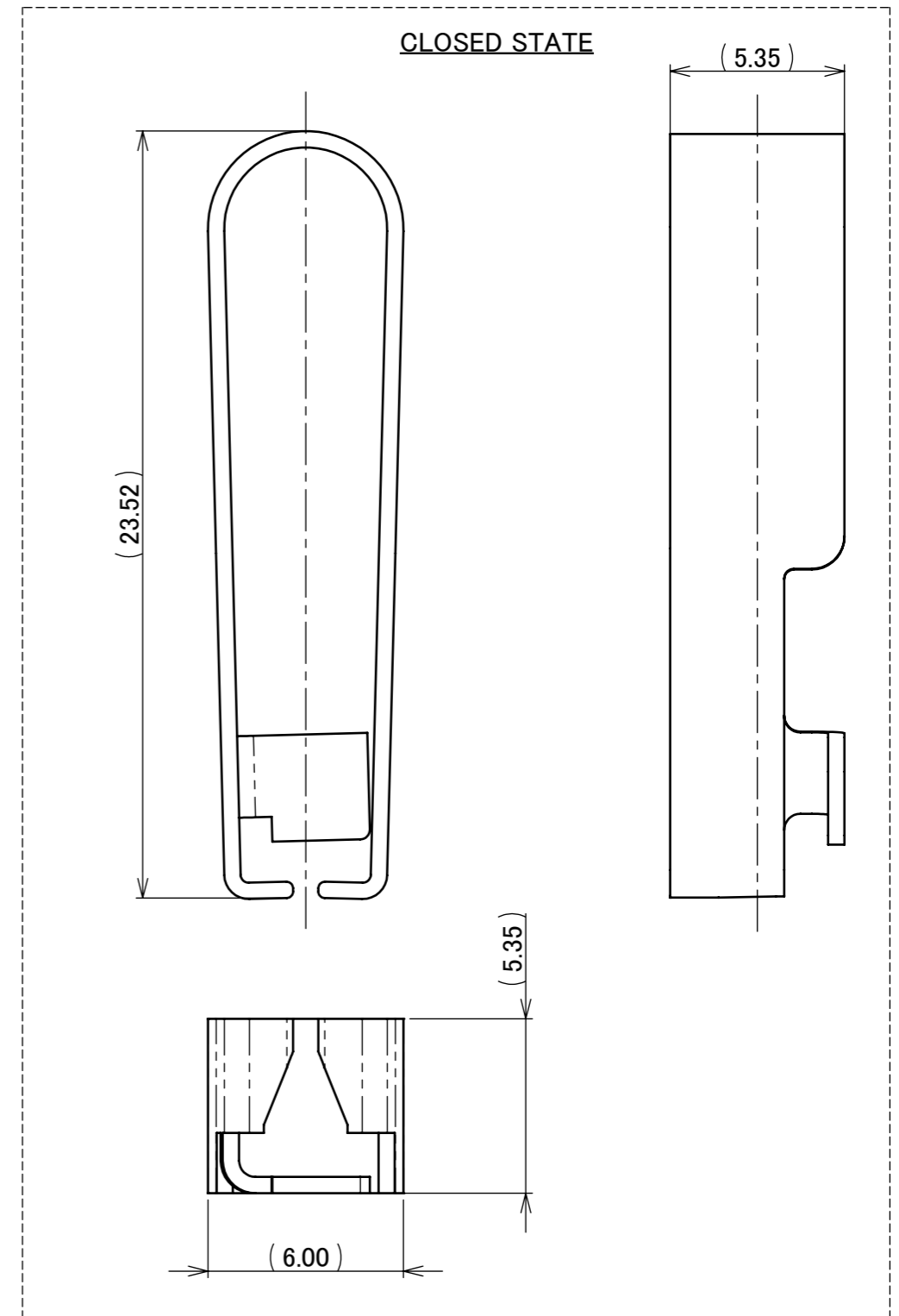
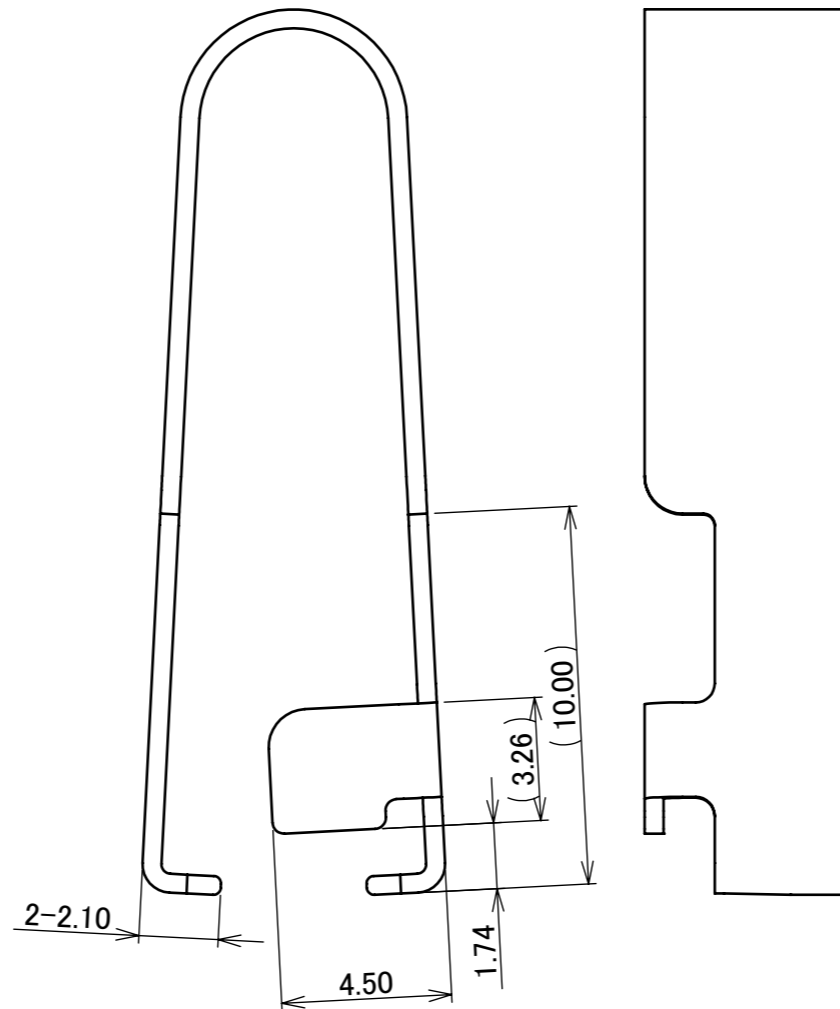
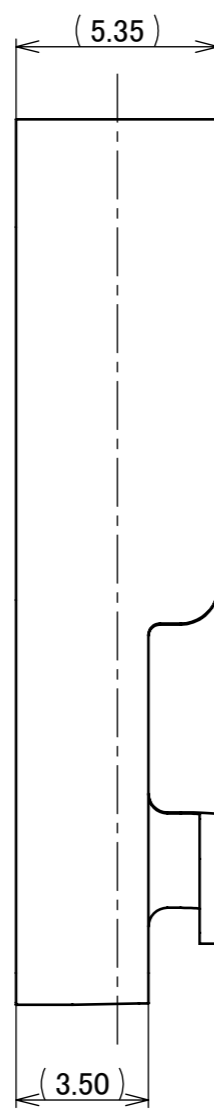
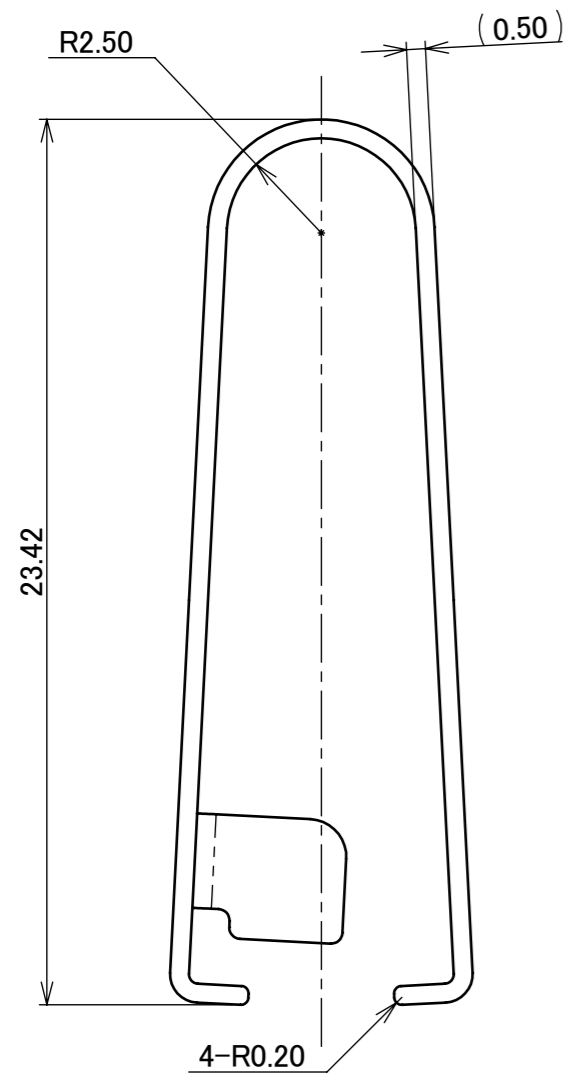
PART No.  
91026-0001



Halogen Free



RoHS Compliant



NOTES.

- MATERIAL SUS304R-1/2H t=0.5
- THIS IS FOR MHF PLUG WITH LOCK TYPE WITHDRAWAL JIG

					ANGLE	±2°	6 OVER 30 MAX.	±0.3	PROJECTION	SERIES No.	CUSTOMER COPY			
						6 MAX.	±0.2	30 OVER 120 MAX.	±0.5	R0				
					GENERAL TOLERANCE.				TITLE	I-PEX				
					DWG.	Y.Fukumoto			MHF® 1 LK LK UNMATING JIG					
					DATE	2018/02/27								
					CHK.									
REV.	ECN	BY	DATE	APP.	K.Narita				DWG. No.	91026		SCALE	5:1	
REVISION RECORD									SIZE	A3		UNIT	mm	
									SHEET	1/1		REV.	1	