

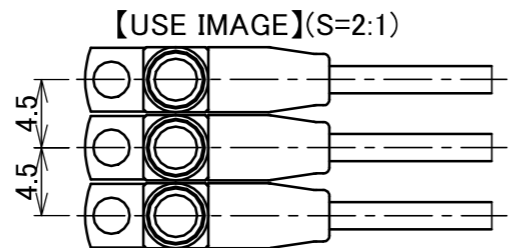
PART NO.
90575-0001



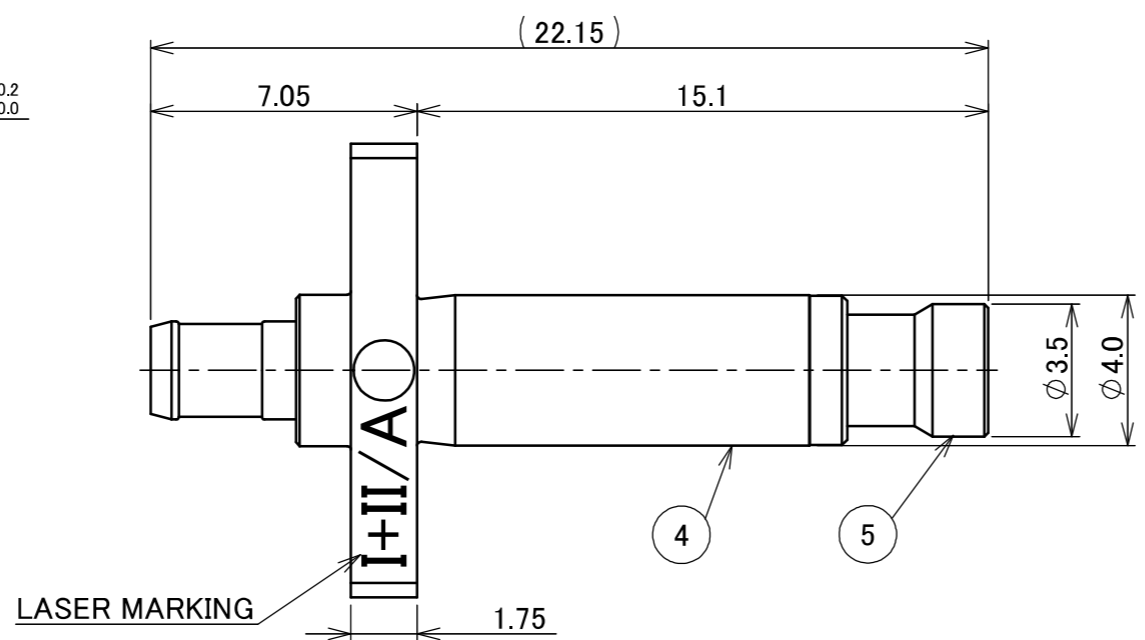
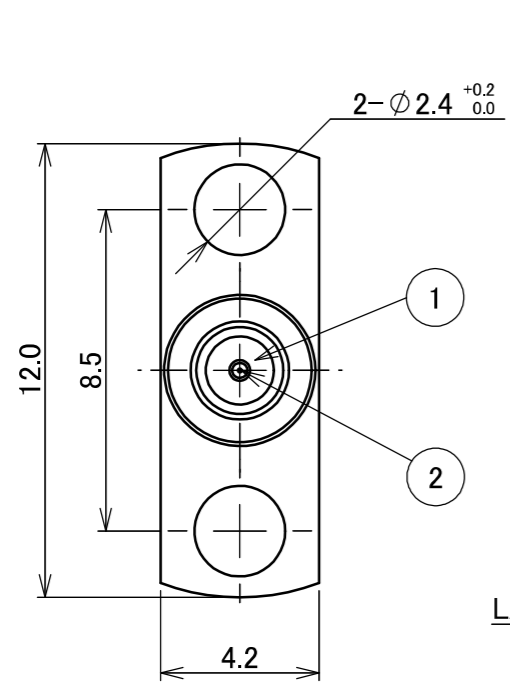
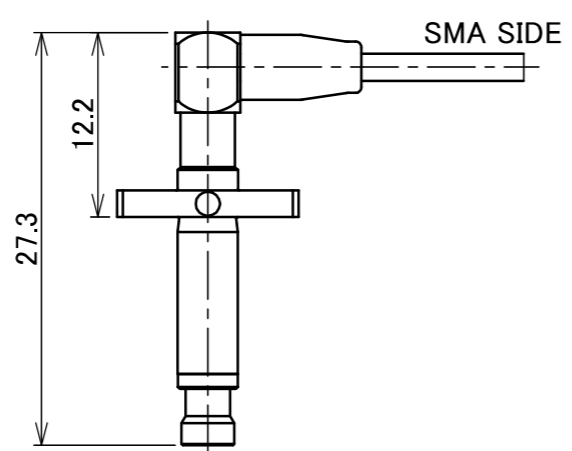
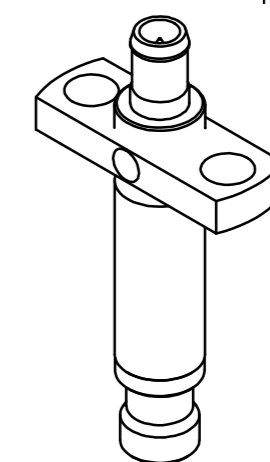
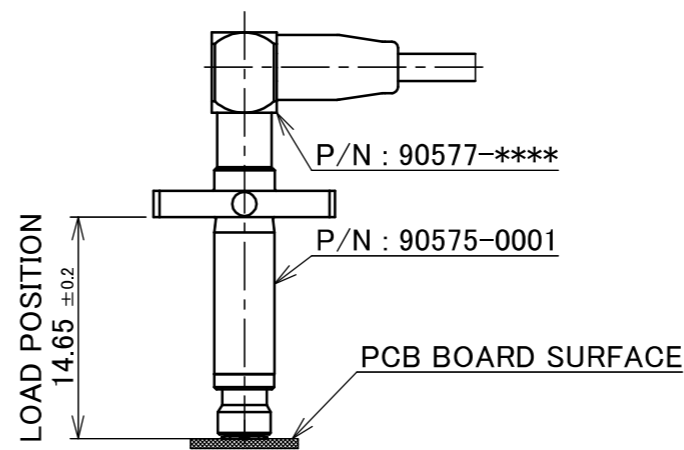
Halogen Free



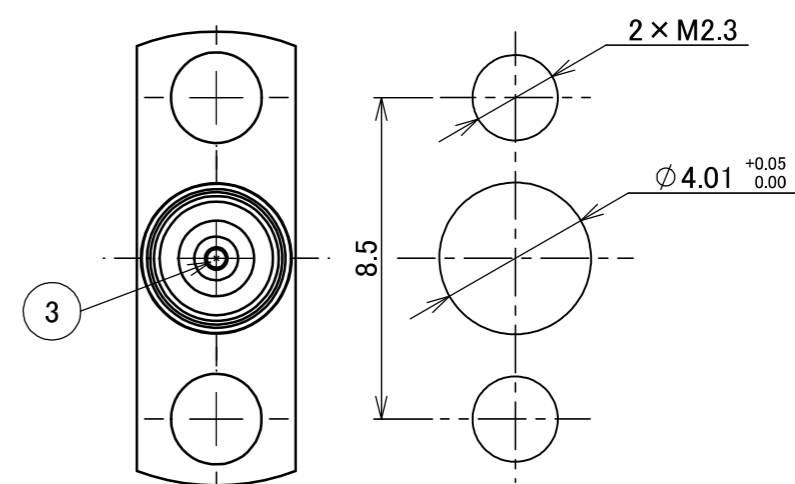
RoHS Compliant



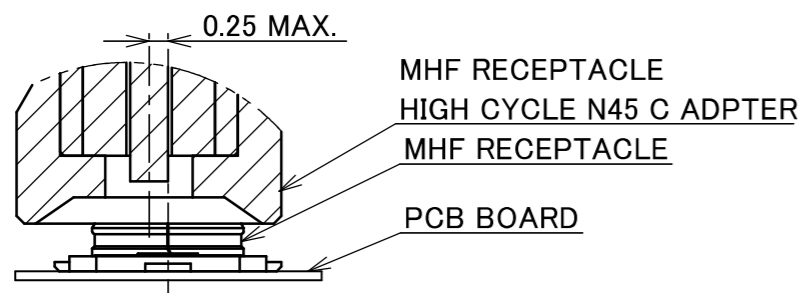
【RECOMMEND LOAD POSITION】(S=2:1)
WITHOUT SOLDER THICKNESS



【RECOMMEND PANEL CUTOUT】



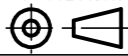
NOTES.
1. AXIAL MISALIGNMENT DISTANCES :0.25mm MAX.



NO.	DESCRIPTION	MATERIAL	FINISH , REMARKS
5	GROUND CONTACT	STAINLESS STEEL	Au 0.5 μ m MIN. OVER Ni 1.0 μ m MIN,
4	SHELL	BRASS	Ni 1.0 μ m MIN.
3	CONTACT PROBE	BRASS	Au 1.0 μ m MIN. OVER Ni 1.0 μ m MIN.
2	PIN CONTACT	BERYLIUM COPPER	Au 1.0 μ m MIN. OVER Ni 1.0 μ m MIN.
1	INSLATOR	PTFE	

NO.	DESCRIPTION	MATERIAL	FINISH , REMARKS												
10	Z211527	K.W	2021/12/13	M.T	ANGLE	±2°	6 OVER 30 MAX.	±0.3	PROJECTION SERIES No. R1	CUSTOMER COPY					
9	Z210333	Yufu	2021/03/30	M.T	6 MAX.	±0.2	30 OVER 120 MAX.	±0.5							
8	Z190618	K.I	2019/05/08	H.Y	GENERAL TOLERANCE.				TITLE MHF® I RECEPTACLE HIGH CYCLE N45 C ADAPTER	SCALE 5:1 UNIT mm	I-PEX				
7	Z131027	S.H	2013/11/11	Tom	DWG.	DATE									
6	Z13376	KOH	2013/05/01	E.K	K.Nisiyama		2012/03/19								
5	Z121033	H.K	2012/12/03	Tom	CHK.										
REV.	ECN	BY	DATE	APP.	APP.										
REVISION RECORD						E.Kawabe		DWG. No.	90575	SIZE	A3	SHEET	1/2	REV.	10

ITEMS	SPECIFICATION
APPLICABLE CONNECTOR PART No.	MHF I RECEPTACLE P/N:20279-001E-0*,20314-001E-01,20441-001E-01 MHF-A RECEPTACLE P/N:20429-001E MHF SERIES N45 C TO SMA ADPTER CABLE P/N:90577-0***
RATING FREQUENCY	DC~9GHz
VSWR (MATING WITH 90193-001 AND 90575-0001 AND 90577-****)	90577-0*** : 1.3 MAX. (DC~3GHz), 1.5 MAX. (3GHz~6GHz), 2.0 MAX. (6GHz~9GHz) 90577-J*** : 1.5 MAX. (DC~3GHz), 1.8 MAX. (3GHz~6GHz), 2.5 MAX. (6GHz~9GHz)
INSULATION RESISTANCE	500Mohm MIN. at DC100V
DIELECTRIC WITHSTANDING VOLTAGE	AC300V 1min
DURABILITY	RECEPTACLE : 10,000 CYCLES. MHF SERIES N45 C TO SMA ADPTER CABLE : 100 CYCLES.
PRODUCT SPECIFICATION	-
TEST REPORT	-
INSTRUCTION MANUAL	HIM-16016
APPEARANCE CRITERIA No.	QLS-A***

ANGLE	±2°	6 OVER 30 MAX.	±0.3	PROJECTION 	SERIES No. R1	CUSTOMER COPY			
6 MAX.	±0.2	30 OVER 120 MAX.	±0.5						
GENERAL TOLERANCE.				TITLE MHF® I RECEPTACLE HIGH CYCLE N45 C ADAPTER	DWG. No. 90575	SCALE	I-PEX		
DWG.	DATE					-			
CHK.						UNIT			
APP.						mm			
		SIZE	SHEET	REV.					
		A3	2/2	10					