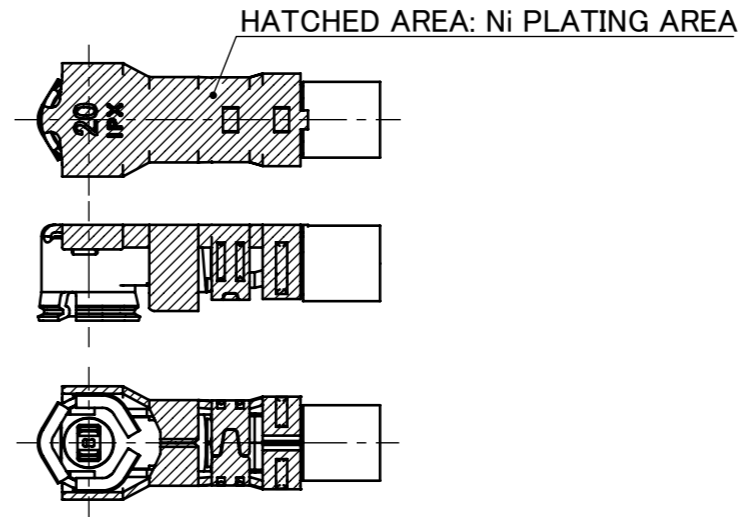
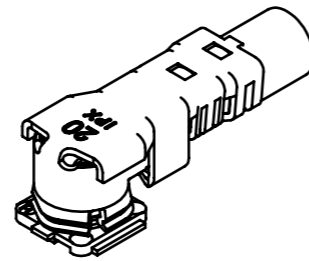
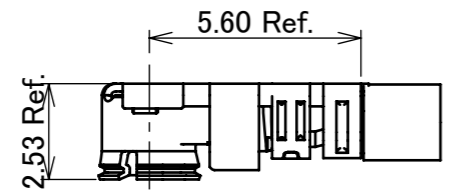
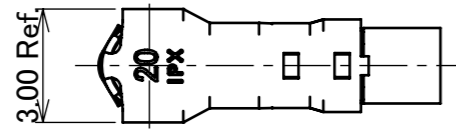


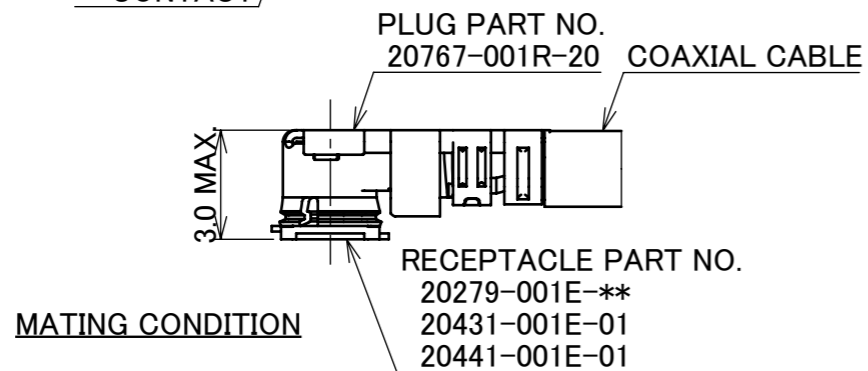
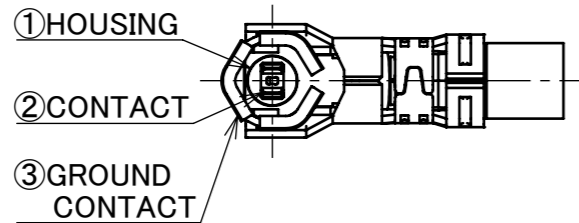
PART No.
20767-001R-20



Halogen Free

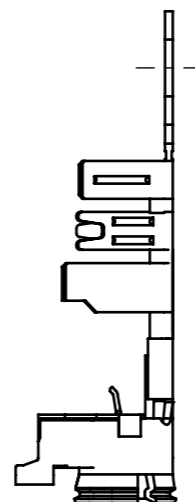
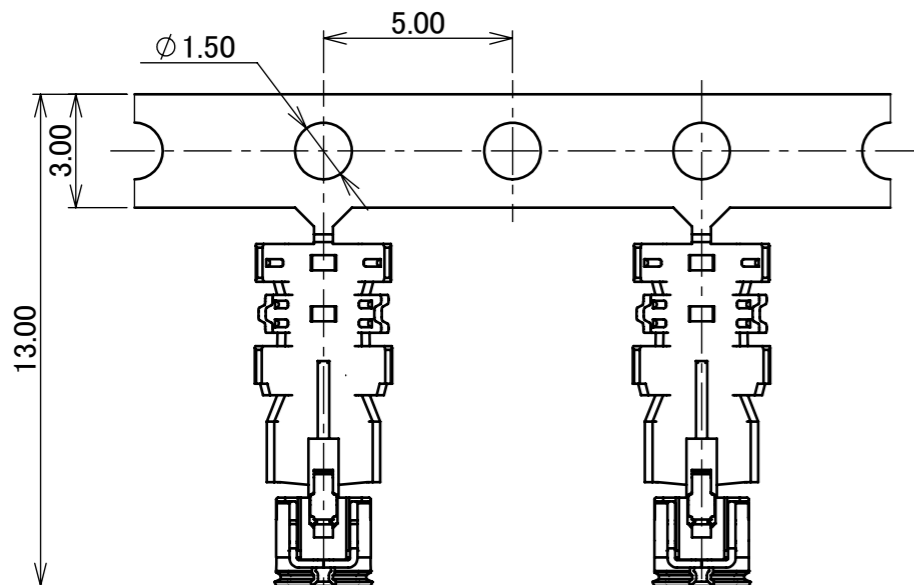
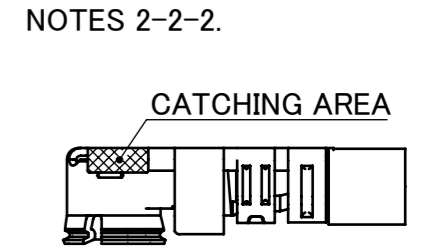
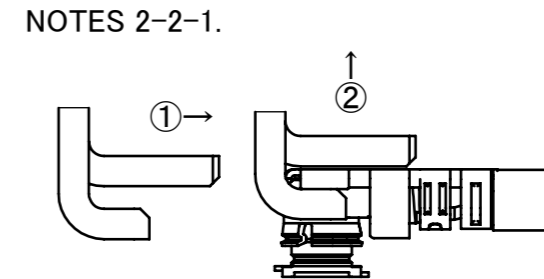
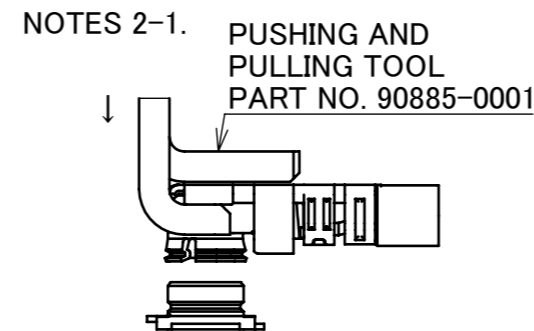


RoHS Compliant



NOTES

1. APPLICABLE CONNECTOR:
20279-001E-**, 20431-001E-01, 20441-001E-01
2. MATING AND UNMATING INSTRUCTION
 - 2-1. MATING
MATE THE CONNECTOR VERTICALLY AS MUCH AS POSSIBLE, ADJUSTING THE MATING AXIS OF PLUG AND RECEPTACLE. DO NOT SLANT MATE.
 - 2-2. UNMATING
 - 2-2-1. IN CASE OF UNMATING BY PULLING TOOL (PART NO. 90885-0001)
USE THE PULLING TOOL AS THE FOLLOWING DRAWING, AND PLEASE PULL PLUG TO VERTICAL DIRECTION AS DIRECTLY AS POSSIBLE.
 - 2-2-2. IN CASE OF UNMATING DIRECTLY BY HAND
CATCH THE CATCHING AREA OF PLUG, AND PULL PLUG TO VERTICAL DIRECTION AS DIRECTLY AS POSSIBLE.



NO.	DESCRIPTION	MATERIAL	FINISH , REMARKS
3	GROUND CONTACT	PHOSPHOR BRONZE	ALL OVER Ni 1.00 μ m MIN. CONTACT PART Au 0.05 μ m MIN.
2	CONTACT	PHOSPHOR BRONZE	ALL OVER Ni 1.00 μ m MIN. CONTACT PART Au 0.10 μ m MIN.
1	HOUSING	PBT	UL94V-0, BLACK

REV.	ECN	BY	DATE	APP.	APP.	CHK.	DATE	APP.	PROJECTION	SERIES No.	TITLE	SCALE	SHEET	REV.
5	Z231442	K.T	2023/12/01	Y.H	ANGLE	±2°	6 OVER 30 MAX.	±0.3		R3	MHF® I PLUG (2.00)	5:1	A3	5
4	Z220703	TOI	2022/07/20	Y.H	6 MAX.	±0.2	30 OVER 120 MAX.	±0.5						
3	Z220594	TSU	2022/05/27	Y.H	GENERAL TOLERANCE.									
2	Z200262	TOI	2020/03/05	Y.H	DWG.	S.Hamada		DATE	2017/07/10					
1	Z181501	M.N	2018/11/15	Ken	Y.Hashimoto									
0	Z170786	S.H	2017/06/10		K.Yotsutani									
REVISION RECORD					K.Yotsutani				DWG. No.	20767			1/5	

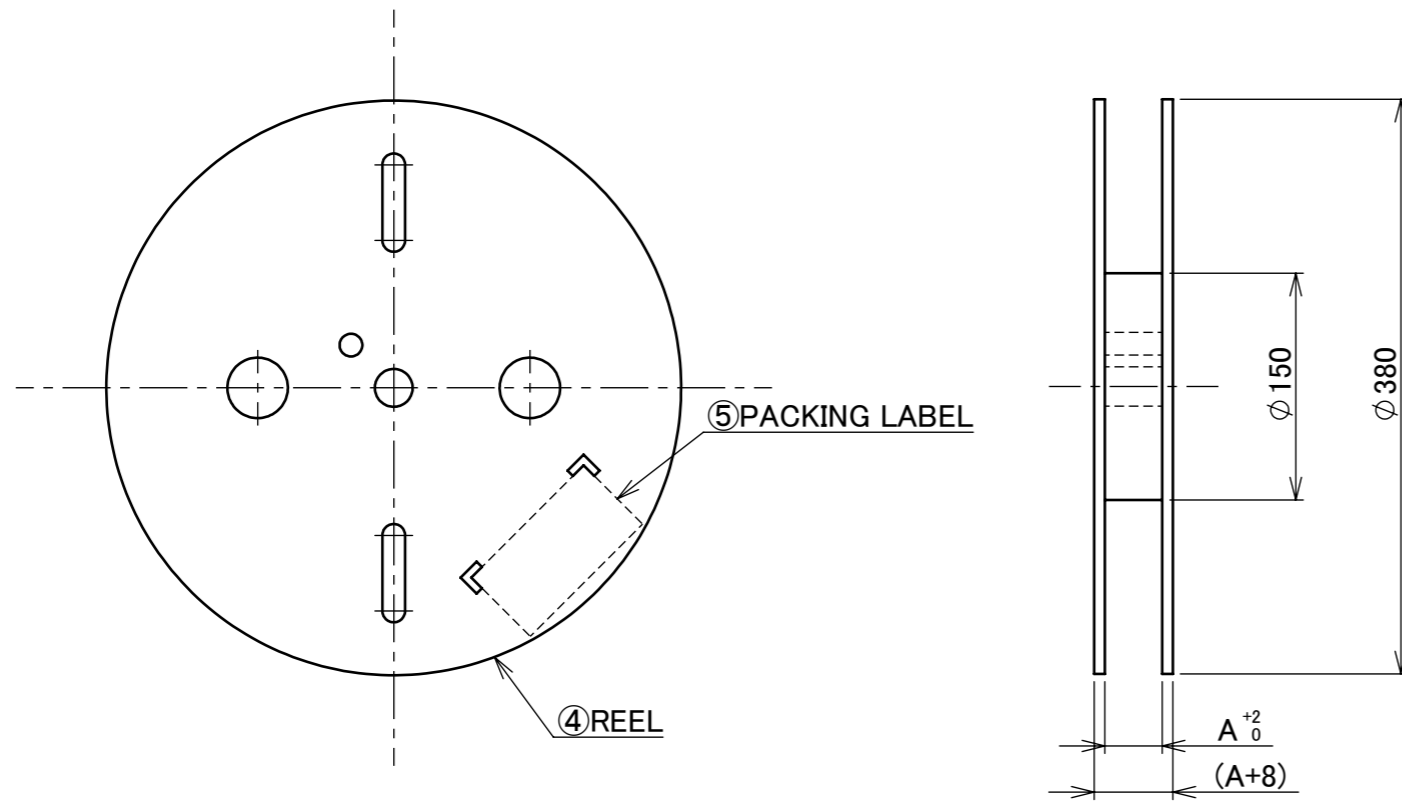
ITEMS	SPECIFICATION	
RECOMMENDED APPLICABLE CONNECTOR PART No.	20279-001E-**	20441-001E-01
RATING VOLTAGE	60 V AC (R.M.S)	
RATING FREQUENCY	DC~9GHz	
OPERATING TEMPERATURE	233~363 K (-40°C~+90°C)	
VSWR (MATED WITH SMA ADAPTER PART No.90193-001)	1.30 MAX. AT 0.1~3 GHz, 1.50 MAX. AT 3~6 GHz, 1.60 MAX. AT 6~9 GHz	
MAIN CONTACT RESISTANCE	INITIAL: 20 mohm MAX. / AFTER TEST: Δ R 20 mohm MAX.	
GROUND CONTACT RESISTANCE	INITIAL: 20 mohm MAX. / AFTER TEST: Δ R 100 mohm MAX.	
INSULATION RESISTANCE	INITIAL: 500 Mohm MIN. / AFTER TEST: 100 Mohm MIN.	
DIELECTRIC WITHSTANDING VOLTAGE	200 V AC, 1 MINUTE	
DURABILITY	30 CYCLES	
UNMATING FORCE (INITIAL / AFTER TEST)	5 N MIN. / 3 N MIN.	
CRIMP STRENGTH	15 N MIN.	
PRODUCT SPECIFICATION	PRS-2490	
TEST REPORT	TR-18041	
PACKING STANDARD	PST-16007	
INSTRUCTION MANUAL	HIM-17017	
APPEARANCE CRITERIA No.	QLS-A***	

ANGLE	$\pm 2^\circ$	6 OVER 30 MAX.	± 0.3	PROJECTION 	SERIES No. R3	CUSTOMER COPY		
6 MAX.	± 0.2	30 OVER 120 MAX.	± 0.5					
GENERAL TOLERANCE.				TITLE MHF® I PLUG (2.00)	SCALE -	I-PEX		
DWG.	DATE							
CHK.								
APP.								
				DWG. No.	20767	SIZE A3	SHEET 2/5	REV. 5

PART NO.	20767-001R-20		
APPLICABLE CABLE NOMINAL DIMENSION			
BRAIDED SHIELD OF OUTER CONDUCTOR	SINGLE		
PART NO. OF SEMI AUTO TERMINATION MACHINE	90876-020		
CRIMP HEIGHT	CH-1 i-Fit® PART	CH-2 SHIELD PART	CH-3 JACKET PART
	2.28~2.36	1.81~1.87	1.95~2.01

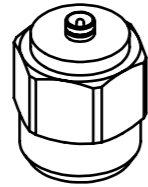
ANGLE	±2°	6 OVER 30 MAX.	±0.3	PROJECTION 	SERIES No. R3	CUSTOMER COPY		
	6 MAX.	±0.2	30 OVER 120 MAX.					±0.5
GENERAL TOLERANCE.				TITLE MHF® I PLUG (2.00)	SCALE -	I-PEX		
DWG.	DATE							
CHK.								
APP.								
				DWG. No.	20767	SIZE A3	SHEET 3/5	REV. 5

PART NO.	A	QTY. PER EMBOSS REEL (PIECES / REEL)	QTY. PER PACKING CARTON (REELS / CARTON)
20767-001R-20	20.0	2,000 / REEL	4 REELS / CARTON = 8,000 PIECES

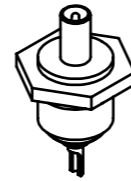


5	PACKING LABEL	-	-
4	REEL	PP	-
NO.	DISCRIPTION	MATERIAL	FINISH , REMARKS

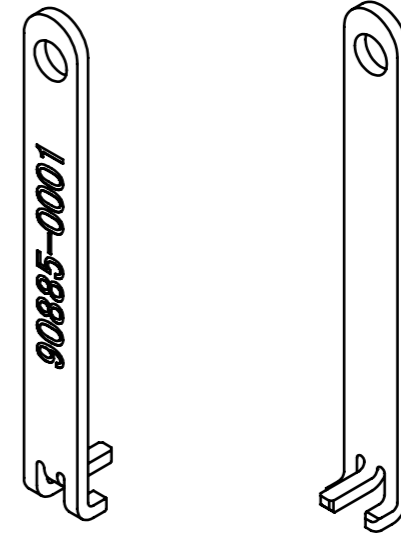
ANGLE	±2°	6 OVER 30 MAX.	±0.3	PROJECTION ⊕	SERIES No. R3	CUSTOMER COPY		
6 MAX.	±0.2	30 OVER 120 MAX.	±0.5					
GENERAL TOLERANCE.				TITLE MHF® I PLUG (2.00)	SCALE -	I-PEX		
DWG.	DATE							
CHK.								
APP.								
				DWG. No.	20767	SIZE A3	SHEET 4/5	REV. 5



MHF I/II SMA ADAPTOR
PART NO. 90193-001



MHF I/II PLUG INSPECTION CONNECTOR
PART NO. 90194-001



FRONT SIDE BACK SIDE
MHF I PLUG (2.00) PUSHING AND PULLING TOOL
PART NO. 90885-0001

ANGLE	±2°	6 OVER 30 MAX.	±0.3	PROJECTION ⊕	SERIES No. R3	CUSTOMER COPY			
6 MAX.	±0.2	30 OVER 120 MAX.	±0.5						
GENERAL TOLERANCE.				TITLE MHF® I PLUG (2.00)	SCALE 2:1	UNIT I-PEX			
DWG.	DATE								mm
CHK.									
APP.									
				DWG. No.	20767	SIZE A3	SHEET 5/5	REV. 5	