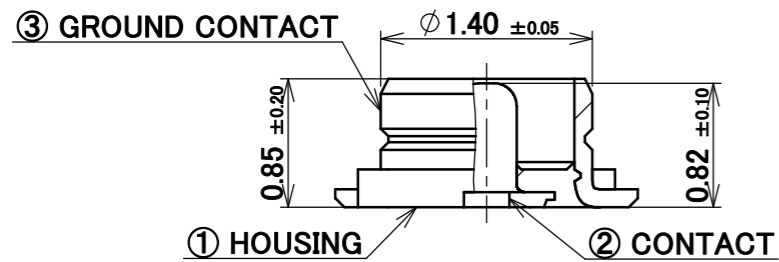
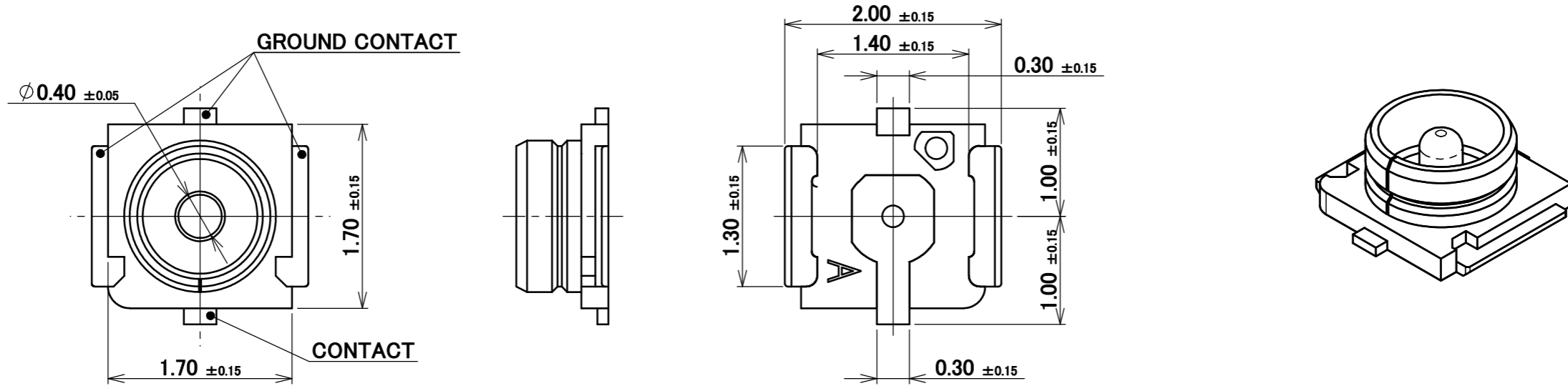
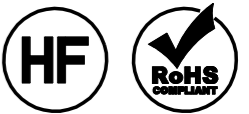
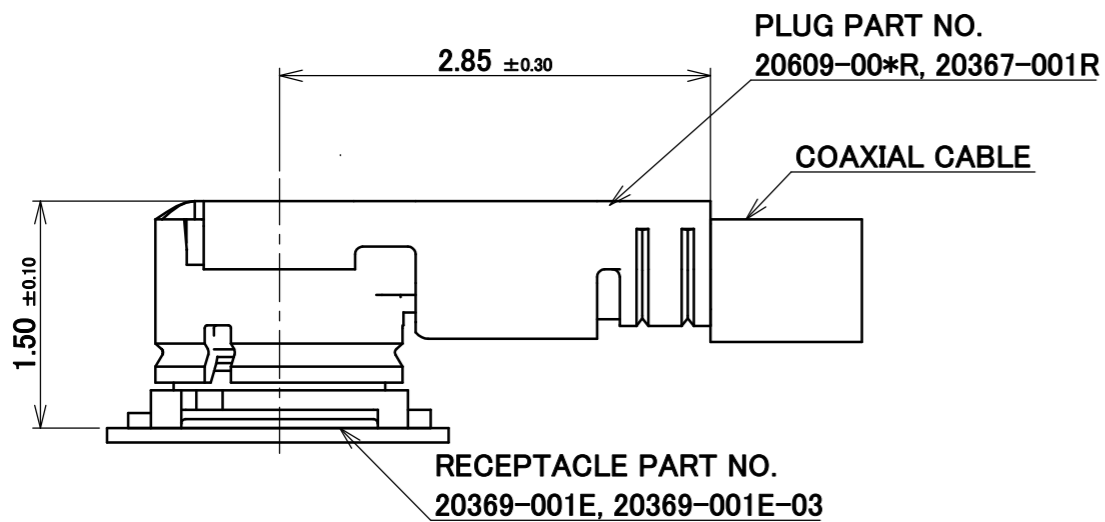


Recommended P/N 20369-001E-03

PART NO.	PACKING REEL	PACKING QUANTITY
20369-001E	CORRUGATED PAPER REEL	5,000/REEL
20369-001E-03	PLASTIC REEL	



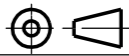
NOTES.  
 1. APPLICABLE CONNECTOR  
 20609-00\*R  
 20367-001R  
 2. COPLANARITY : 0.1MAX.

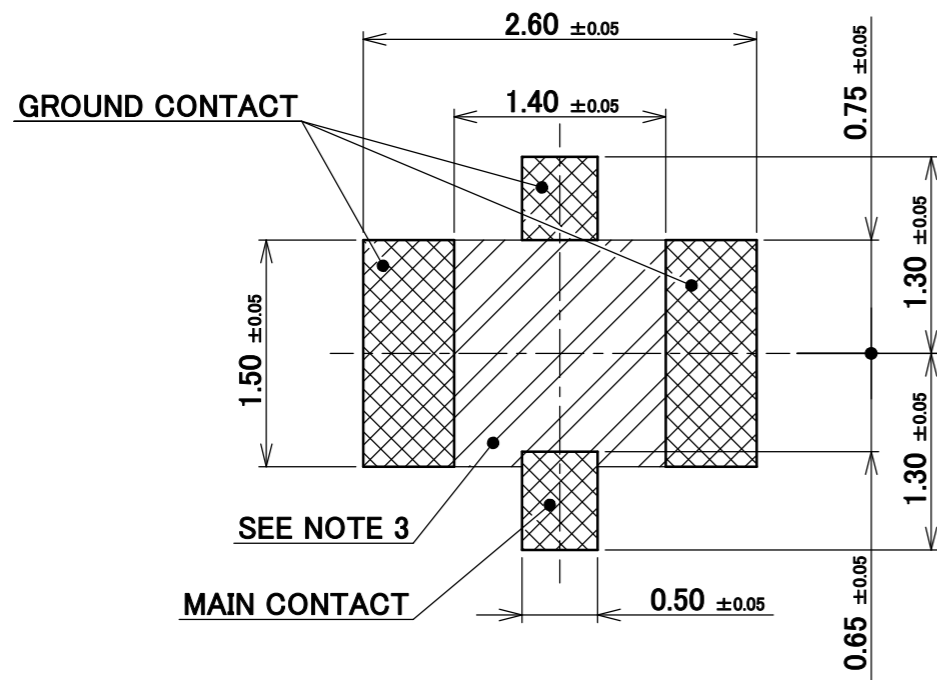


NO.	DESCRIPTION	MATERIAL	FINISH , REMARKS
3	GROUND CONTACT	PHOSPHOR BRONZE	ALL OVER Ni 1.00 $\mu$ m MIN. CONTACT PART Au 0.03 $\mu$ m MIN. SOLDERING PART Au 0.03 $\mu$ m MIN.
2	CONTACT A	BRASS	ALL OVER Ni 1.00 $\mu$ m MIN. CONTACT PART Au 0.1 $\mu$ m MIN. SOLDERING PART Au 0.1 $\mu$ m MIN.
1	HOUSING	LCP	UL94V-0, BLACK

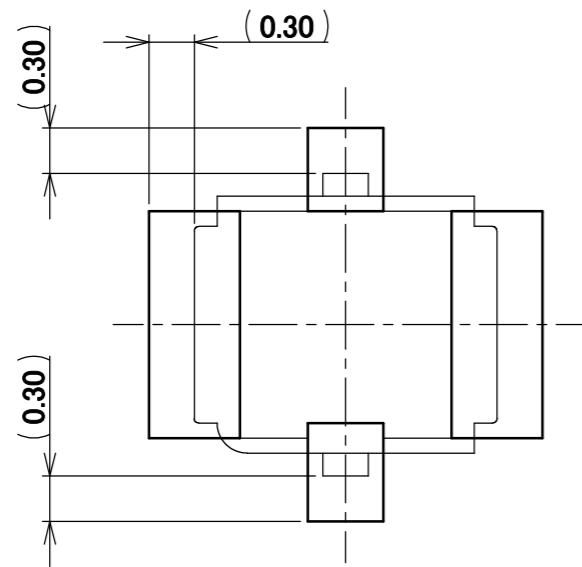
11	Z190703	R.S	2019/06/05	Y.S	ANGLE	$\pm 2^\circ$	6 OVER 30 MAX.	$\pm 0.3$	PROJECTION 	SERIES No. R3	CUSTOMER COPY					
10	Z181405	Y.I	2018/10/29	Ken	6 MAX.	$\pm 0.2$	30 OVER 120 MAX.	$\pm 0.5$								
9	Z151259	S.T	2015/11/17	Ken	GENERAL TOLERANCE.				TITLE MHF® III RECEPTACLE	SCALE 20:1	UNIT mm	I-PEX				
8	Z150735	S.T	2015/06/29	Tom	DWG.	T.Takano	DATE	2004/03/01								
7	Z12795	H.M	2012/11/08	Tom	CHK.	T.Harada	DATE	2004/03/02								
6	Z12448	H.M	2012/06/07	Tom	APP.	K.Katabuchi	DATE	2004/03/02								
REV.	ECN	BY	DATE	APP.	REVISION RECORD				DWG. No.	20369	SIZE	A3	SHEET	1/6	REV.	11

ITEMS	SPECIFICATION
APPLICABLE CONNECTOR PART No.	20609-002R
RATING VOLTAGE	60 V AC (R.M.S)
RATING FREQUENCY	DC ~ 6 GHz
OPERATING TEMPERATURE	233 ~ 363 K(-40°C ~ +90°C)
VSWR	1.3 MAX. AT DC ~ 3 GHz, 1.4 MAX. AT 3 ~ 6 GHz
MAIN CONTACT RESISTANCE	INITIAL : 20 mohm MAX. / AFTER TEST : $\Delta$ R 20 mohm MAX.
GROUND CONTACT RESISTANCE	INITIAL : 20 mohm MAX. / AFTER TEST : $\Delta$ R100 mohm MAX.
INSULATION RESISTANCE	INITIAL : 500 Mohm MIN. / AFTER TEST : 100 Mohm MIN.
DIELECTRIC WITHSTANDING VOLTAGE	AC 200 V 1 MINUTE
DURABILITY	30 CYCLES
TOTAL UNMATING FORCE (INITIAL / AFTER TEST)	INITIAL: 4 N MIN. / AFTER: 2 N MIN.
PRODUCT SPECIFICATION	PRS-2107
TEST REPORT	TR-15061
PACKING STANDARD	300-339
INSTRUCTION MANUAL	HIM-07002
APPEARANCE CRITERIA No.	QLS-A***

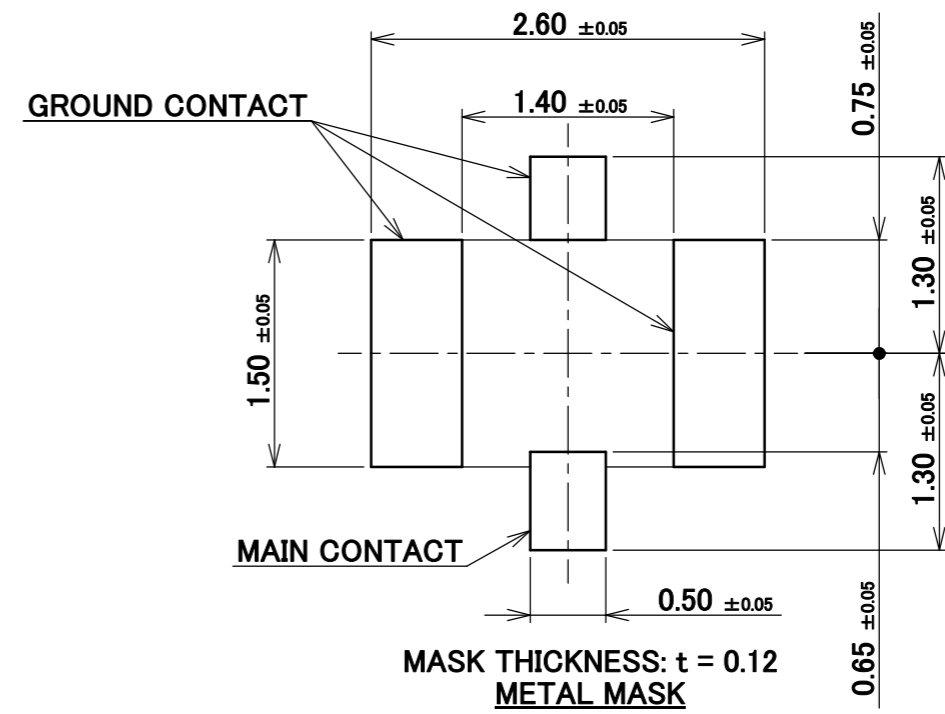
ANGLE	$\pm 2^\circ$	6 OVER 30 MAX.	$\pm 0.3$	PROJECTION 	SERIES No. <b>R3</b>	CUSTOMER COPY
6 MAX.	$\pm 0.2$	30 OVER 120 MAX.	$\pm 0.5$			
GENERAL TOLERANCE.				TITLE <b>MHF® III RECEPTACLE</b>	SCALE -	UNIT <b>mm</b>
DWG.	DATE					
CHK.	DATE					
APP.	DATE					
				DWG. No.	<b>20369</b>	SIZE <b>A3</b>
				SHEET	<b>2/6</b>	REV. <b>11</b>



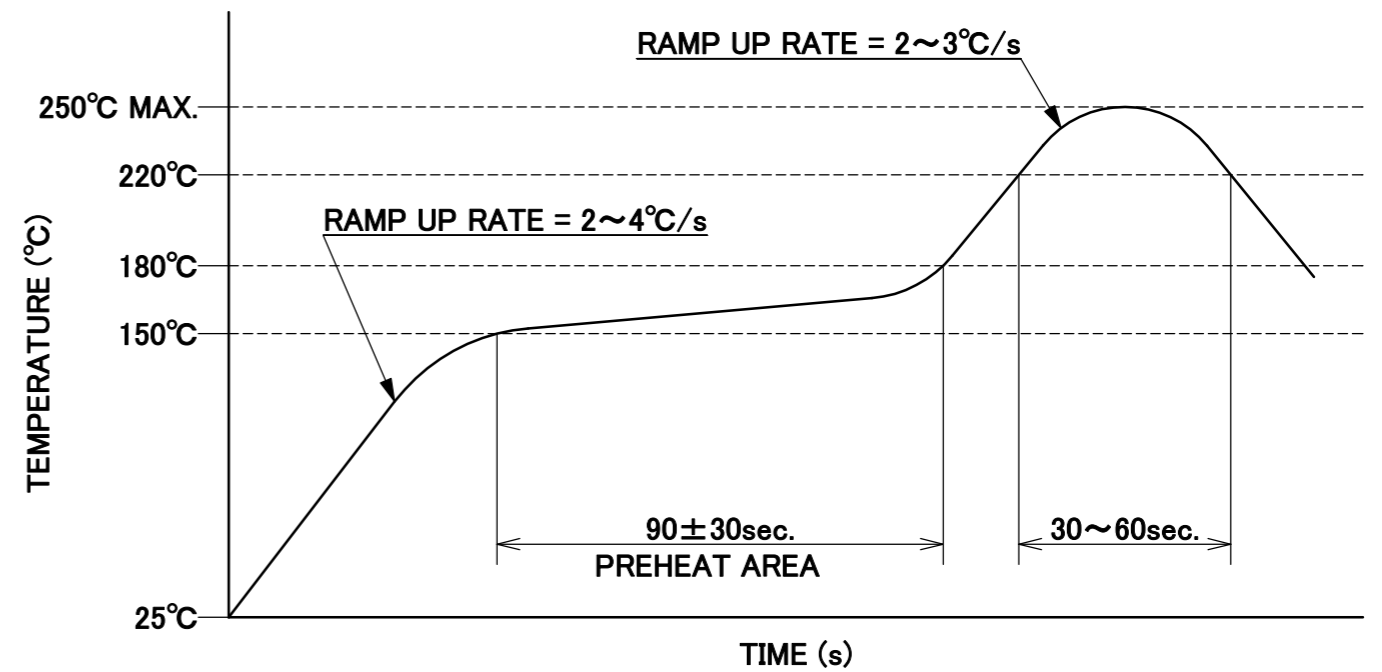
**RECOMMENDED FOOTPRINT PATTERN**



**CONNECTOR ON RECOMMENDED FOOTPRINT PATTERN**



**RECOMMENDED FOOTPRINT PATTERN**



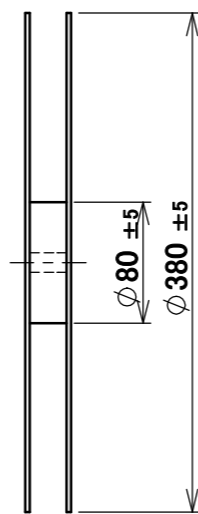
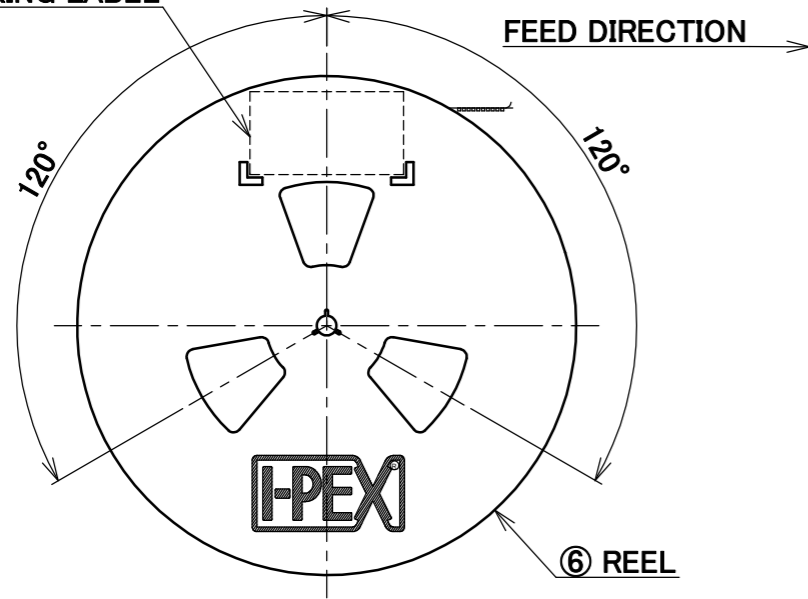
**REFLOW TEMPERATURE PROFILE**  
**SENJU METAL INDUSTRY CO., LTD. : M705-SHF(Sn96.5 Ag3.0 Cu0.5)**

NOTES  
 3. PATTERN AND RESISTPROHIBITION AREA

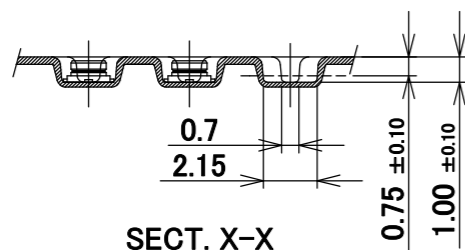
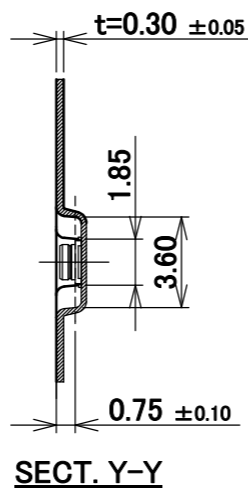
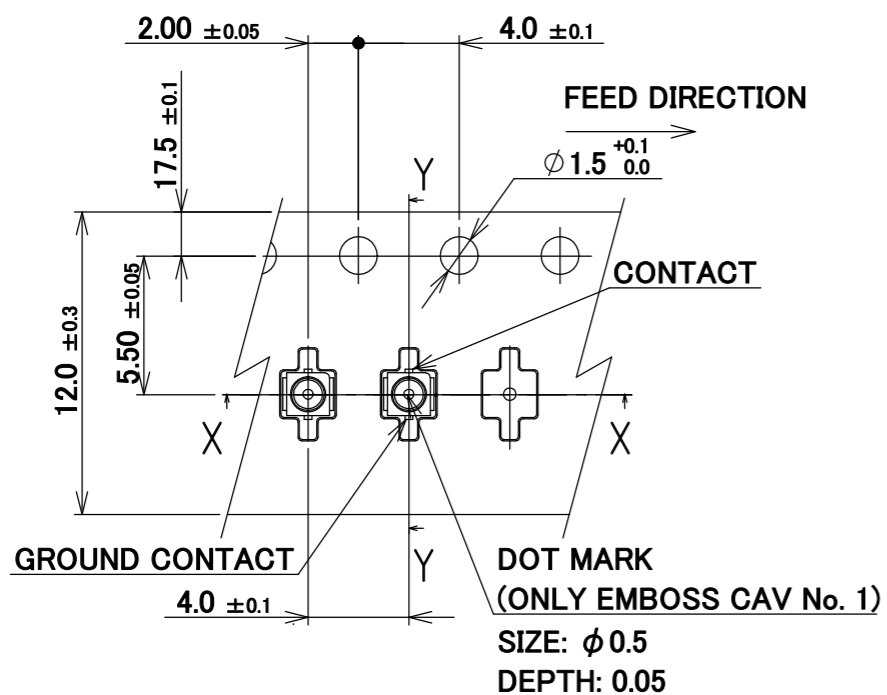
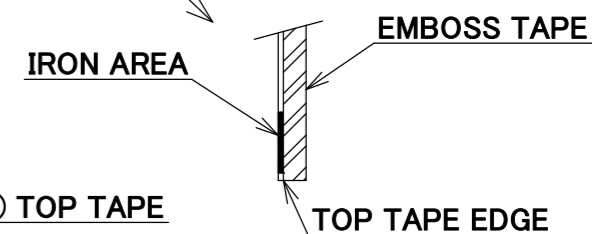
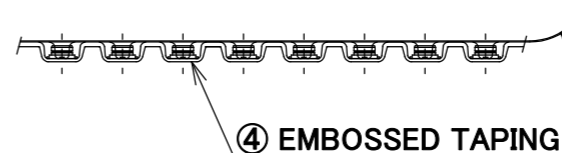
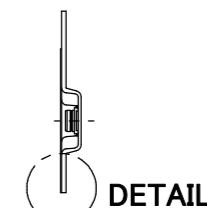
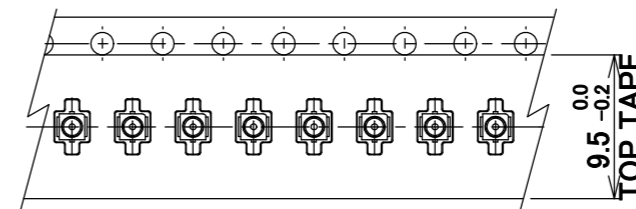
ANGLE	±2°	6 OVER 30 MAX.	±0.3	PROJECTION 	SERIES No. <b>R3</b>	CUSTOMER COPY	
6 MAX.	±0.2	30 OVER 120 MAX.	±0.5				
GENERAL TOLERANCE.				TITLE		SCALE	
DWG.	DATE			<b>MHF® III          RECEPTACLE</b>		20:1	
CHK.	DATE			DWG. No.		UNIT	
APP.	DATE			20369		mm	
						SIZE	SHEET 3/6 REV. 11
						A3	

PART NO.	QTY. PER EMBOSS REEL (PIECES / REEL)	QTY. PER PACKING CARTON (REELS / CARTON)	REEL
20369-001E	5,000 PIECES / REEL	8 REELS / CARTON = 40,000 PIECES	CORRUGATED PAPER

⑦ PACKING LABEL

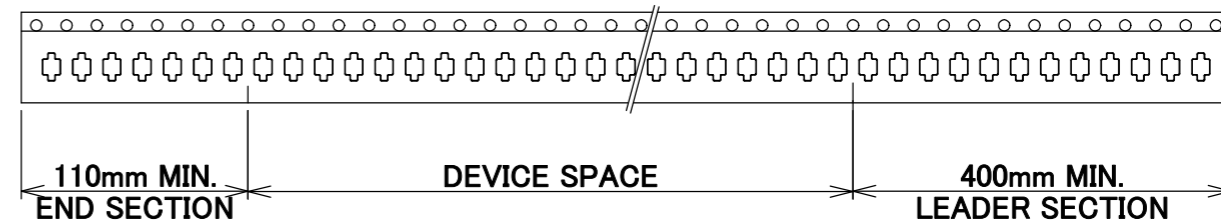


12.4 <sup>+2</sup>/<sub>0</sub>  
18.4 MAX.



NOTES

- ACCUMULATED PITCH OF FEED HOLE ±0.2mm AT 10 PITCH.
- DRAFT ANGLE OF EMBOSS TAPE 5° MAX.
- THE INSIDE R0.15 MAX.



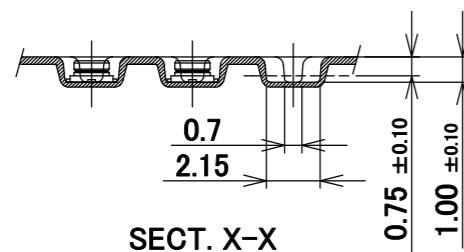
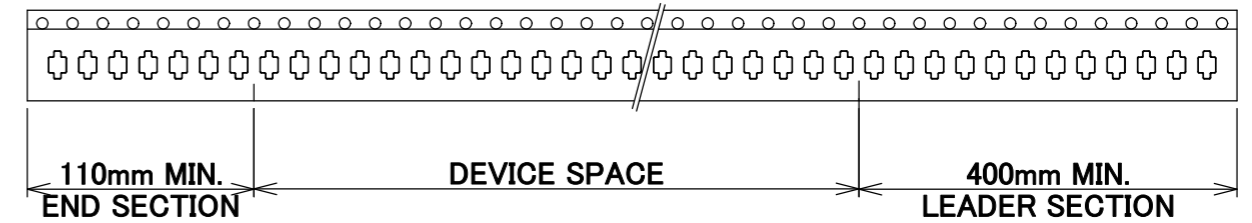
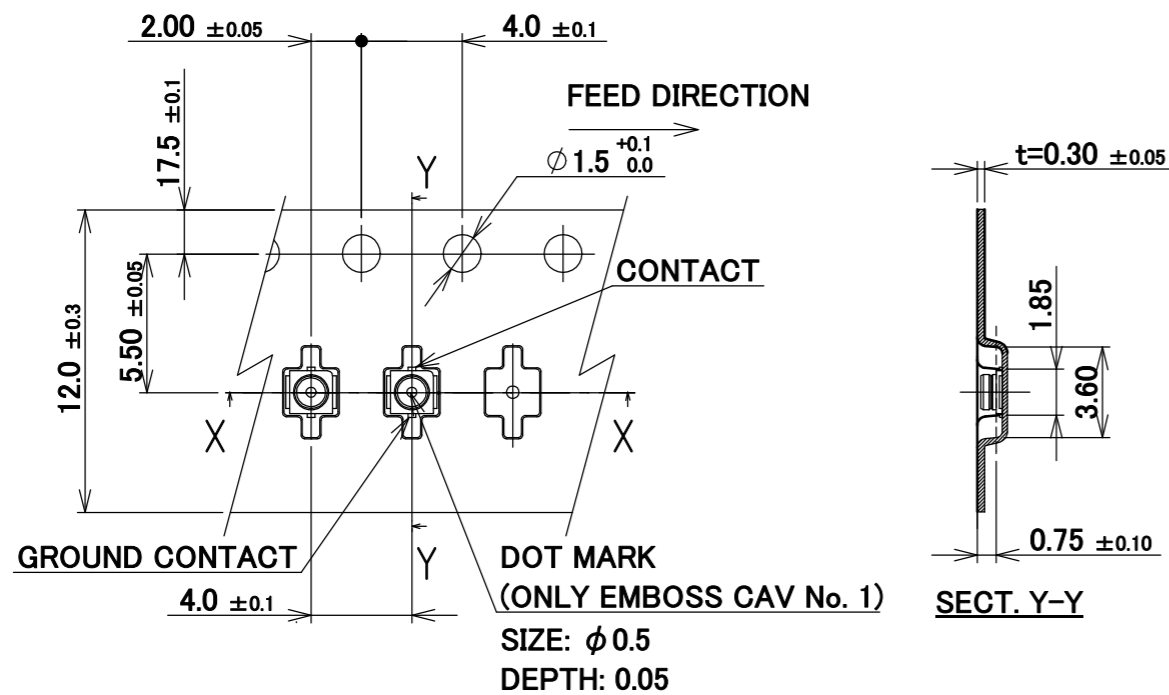
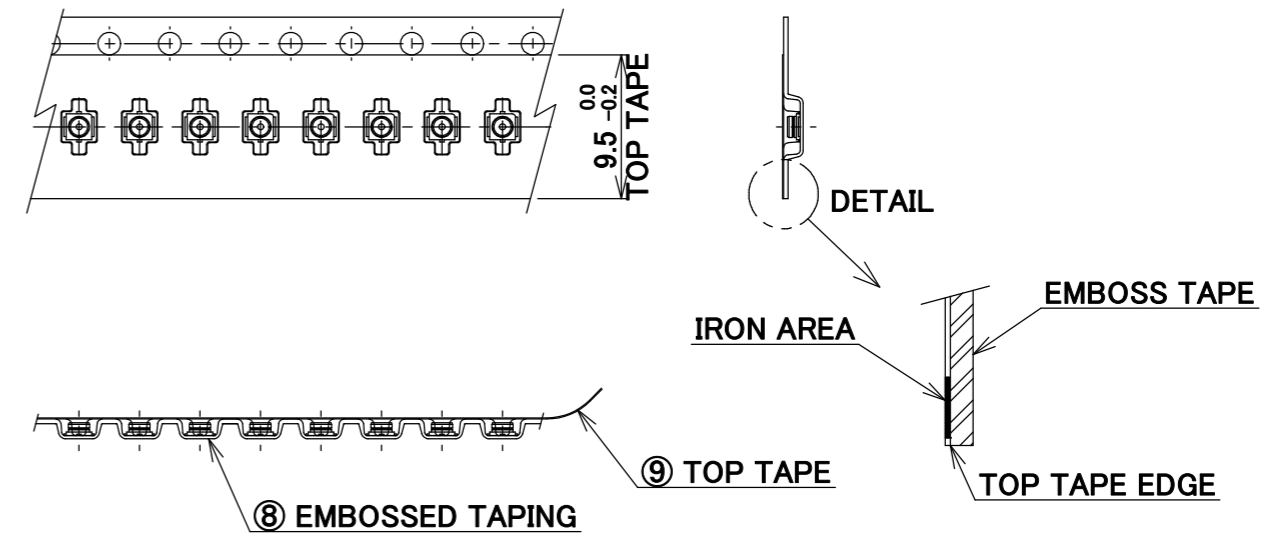
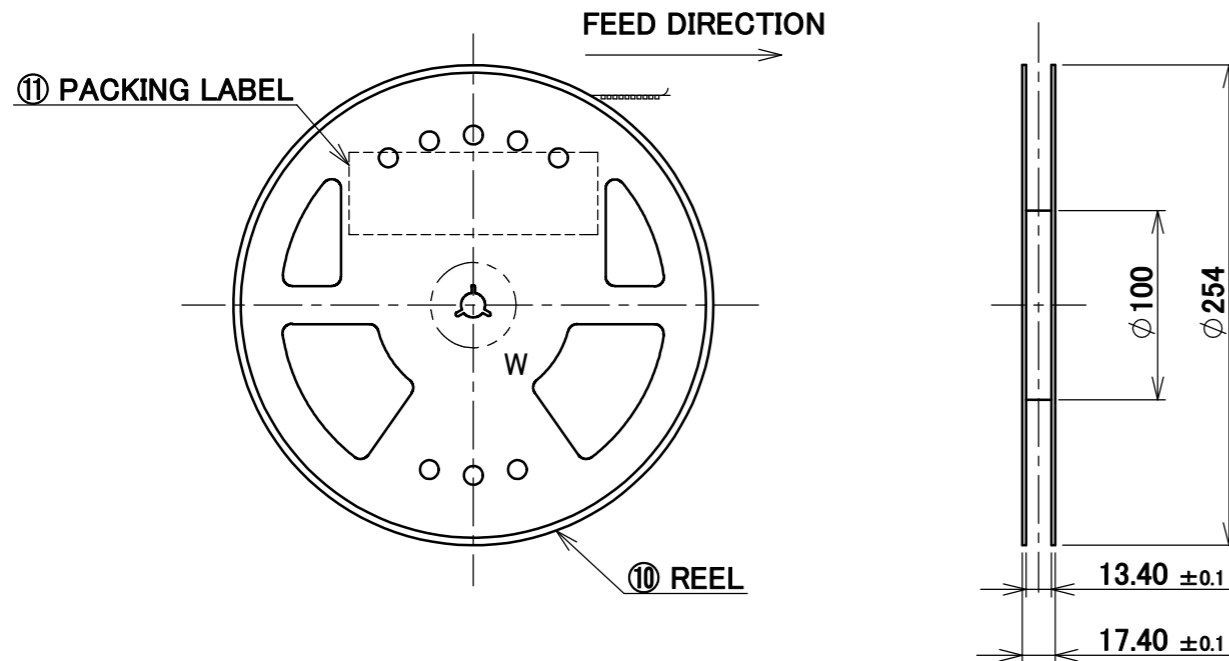
NOTES.

- TAPING SPECIFICATION FOLLOWS JIS C 0806 (IEC 60286-3).
- MAKE EMPTY SECTION OF LEADER AND END ON EACH END OF THE TAPE.
- TOP TAPE SHALL NOT STICK OUT FROM EMBOSS TAPE.
- TOP TAPE SHALL NOT COVER FEED HOLE.

NO.	DESCRIPTION	MATERIAL	FINISH, REMARKS
7	PACKING LABEL	-	-
6	REEL	CORRUGATED PAPER	-
5	TOP TAPE	PET t=0.048	ANTI-STATIC TYPE
4	EMBOSS TAPE	PS t=0.3	-

ANGLE	±2°	6 OVER 30 MAX.	±0.3	PROJECTION ⊕	SERIES No. R3	CUSTOMER COPY
6 MAX.	±0.2	30 OVER 120 MAX.	±0.5			
GENERAL TOLERANCE.				TITLE	SCALE	I-PEX
DWG.	DATE	MHF <sup>®</sup> III RECEPTACLE		UNIT		
CHK.	DATE			mm		
APP.	DATE			SIZE		
				DWG. No.	A3	
				20369	SHEET 4/6	REV. 11

PART NO.	QTY. PER EMBOSS REEL (PIECES / REEL)	QTY. PER PACKING CARTON (REELS / CARTON)	REEL
20369-001E-03	5,000 PIECES / REEL	8 REELS / CARTON = 40,000 PIECES	PLASTIC REEL



- NOTES
- ACCUMULATED PITCH OF FEED HOLE  $\pm 0.2$ mm AT 10 PITCH.
  - DRAFT ANGLE OF EMBOSS TAPE  $5^\circ$  MAX.
  - THE INSIDE R0.15 MAX.

NOTES.

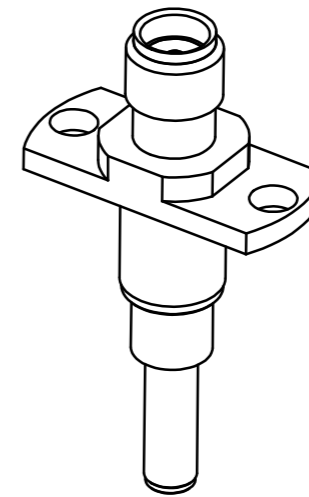
- TAPING SPECIFICATION FOLLOWS JIS C 0806 (IEC 60286-3).
- MAKE EMPTY SECTION OF LEADER AND END ON EACH END OF THE TAPE.
- TOP TAPE SHALL NOT STICK OUT FROM EMBOSS TAPE.
- TOP TAPE SHALL NOT COVER FEED HOLE.

NO.	DESCRIPTION	MATERIAL	FINISH, REMARKS
11	PACKING LABEL	-	-
10	REEL	PS, WHITE	-
9	TOP TAPE	PET $t=0.048$ TRANSPARENCY	ANTI-STATIC TYPE
8	EMBOSS TAPE	PS $t=0.3$ TRANSPARENCY	ANTI-STATIC TYPE

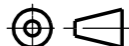
ANGLE	$\pm 2^\circ$	6 OVER 30 MAX.	$\pm 0.3$	PROJECTION 	SERIES No. R3	CUSTOMER COPY		
6 MAX.	$\pm 0.2$	30 OVER 120 MAX.	$\pm 0.5$			SCALE -	I-PEX	
GENERAL TOLERANCE.				TITLE MHF <sup>®</sup> III RECEPTACLE	UNIT mm	SIZE A3		SHEET 5/6 REV. 11
DWG.	DATE	CHK.	DATE	DWG. No. 20369				



**MHF III SMA ADAPTER**  
**PART NO. 90285-002**



**MHF III SMA ADAPTER HIGH CYCLE TYPE**  
**PART NO. 90491-001**

ANGLE	±2°	6 OVER 30 MAX.	±0.3	PROJECTION 	SERIES No. <b>R3</b>	<b>CUSTOMER COPY</b>		
6 MAX.	±0.2	30 OVER 120 MAX.	±0.5					
GENERAL TOLERANCE.				TITLE <b>MHF® III  RECEPTACLE</b>	SCALE <b>2:1</b>	<b>I-PEX</b>		
DWG.	DATE							UNIT <b>mm</b>
CHK.	DATE							SIZE <b>A3</b>
APP.	DATE							DWG. No. <b>20369</b>