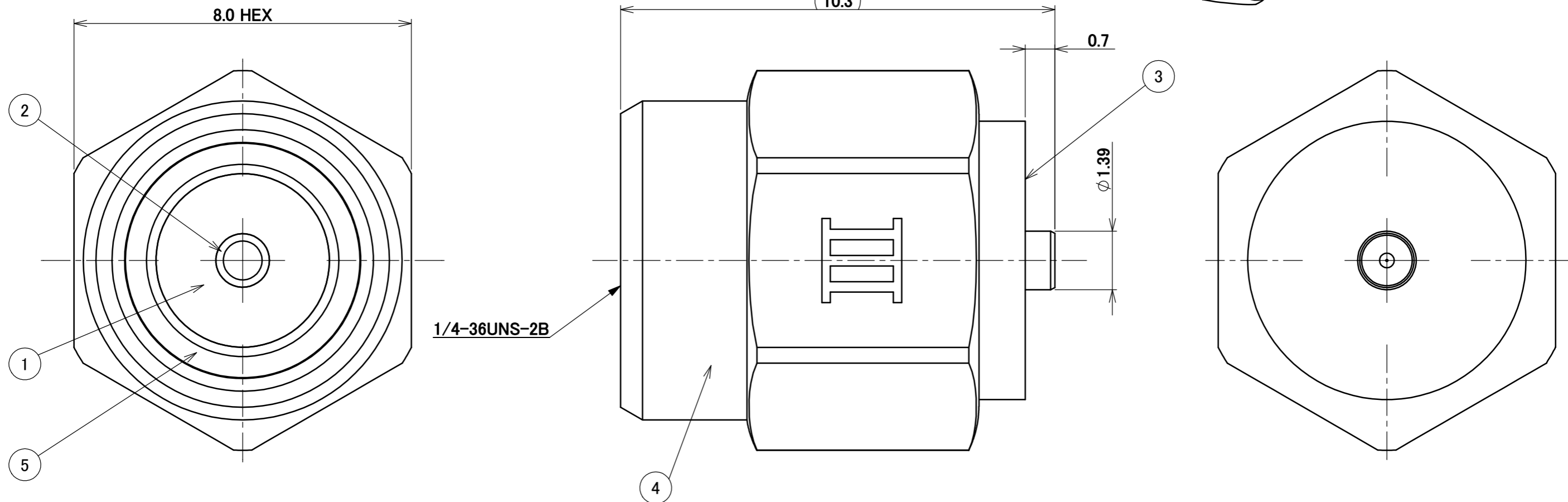
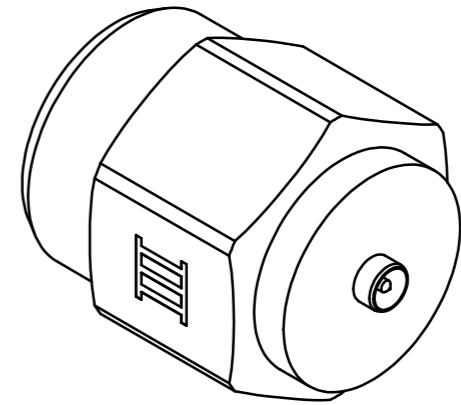


PART NO.
90285-001

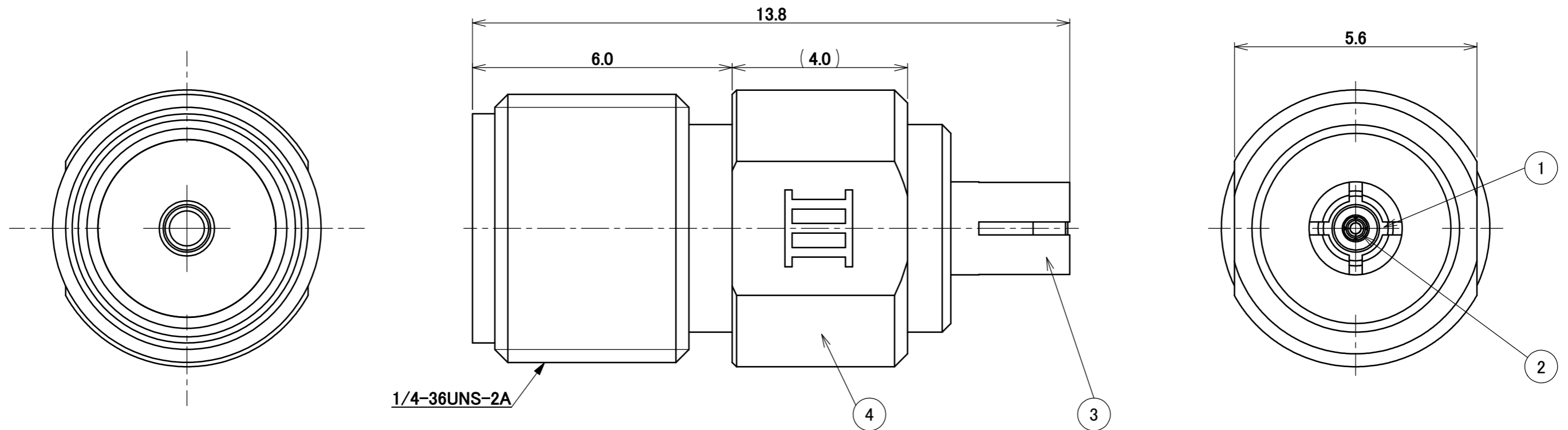
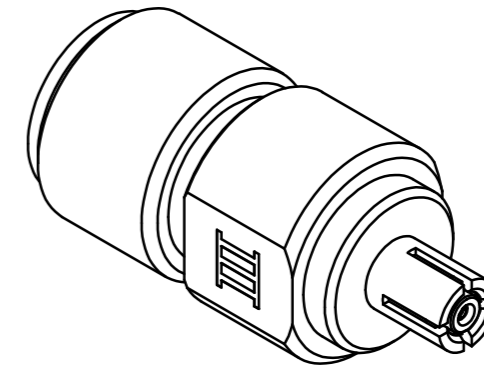


NO.	DESCRIPTION	MATERIAL	FINISH, REMARKS
5	GASKET	RUBBER	
4	NUT	STAINLESS STEEL	PASSIVATION
3	SHELL	STAINLESS STEEL	Au 0.3 μ m MIN. OVER Ni 1.0 μ m MIN.
2	CONTACT	BRASS	Au 1.0 μ m MIN. OVER Ni 1.0 μ m MIN.
1	INSULATOR	FLUORINE PLASTICS	

ANGLE	$\pm 2^\circ$	6 OVER 30 MAX.	± 0.3	PROJECTION 	SERIES No. R0	CUSTOMER COPY				
		6 MAX. ± 0.2	30 OVER 120 MAX. ± 0.5							
GENERAL TOLERANCE.				TITLE MHF [®] III SMA ADAPTER	SCALE 10:1 UNIT mm	I-PEX				
1	Z190666	K.I	2019/05/20				Y.H	DWG. T.Hirakawa	DATE 2005/01/13	
0	Z05013	TAK	2005/01/13		CHK.	DATE				
REV.	ECN	BY	DATE	APP.	APP.	DATE	DWG. No.	SIZE	SHEET	REV.
REVISION RECORD					E.Kawabe	2005/01/13	90285	A3	1/3	1

PART NO.

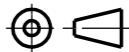
90285-002



NO.	DESCRIPTION	MATERIAL	FINISH, REMARKS
4	SHELL	STAINLESS STEEL	PASSIVIATION
3	OUTER CONTACT	BERYLLIUM COPPR	Au 0.3 μm MIN. OVER Ni 1.0 μm MIN.
2	INNER CONTACT	BERYLLIUM COPPR	Au 1.0 μm MIN. OVER Ni 1.0 μm MIN.
1	INSULATOR	FLUORINE PLASTICS	

REV.	ECN	BY	DATE	APP.	DESCRIPTION	DATE	PROJECTION	SERIES No.	TITLE	SCALE	UNIT	SIZE	SHEET	REV.
					ANGLE	±2°	6 OVER 30 MAX.	±0.3		R0	10:1	mm	2/3	1
					6 MAX.	±0.2	30 OVER 120 MAX.	±0.5						
GENERAL TOLERANCE.						TITLE		MHF® III		I-PEX				
DWG.						DATE		SMA ADAPTER						
CHK.						DATE		DWG. No.		90285				
REV.						DATE		90285		A3				
REVISION RECORD														

ITEMS	SPECIFICATION	
	PART No.	90285-001
APPLICABLE CONNECTOR PART No.	20367-00*R	20369-001E
RATING FREQUENCY	DC~6GHz	
VSWR	1.3 MAX. AT DC~3GHz, 1.5 MAX. AT 3~6GHz	
INSULATION RESISTANCE	500 Mohm MIN. (DC100V)	
DIELECTRIC WITHSTANDING VOLTAGE	AC200V 1min	
DURABILITY	3,000 CYCLES	500 CYCLES
PRODUCT SPECIFICATION	-	-
TEST REPORT	-	-
PACKING STANDARD	PST-12033	
INSTRUCTION MANUAL	-	-

ANGLE	±2°	6 OVER 30 MAX.	±0.3	PROJECTION 	SERIES No. R0	CUSTOMER COPY
6 MAX.	±0.2	30 OVER 120 MAX.	±0.5			
GENERAL TOLERANCE.				TITLE MHF® III SMA ADAPTER	SCALE -	I-PEX
DWG.	DATE					
CHK.	DATE					
APP.	DATE					
DWG. No. 90285				SIZE A3	SHEET 3/3	REV. 1