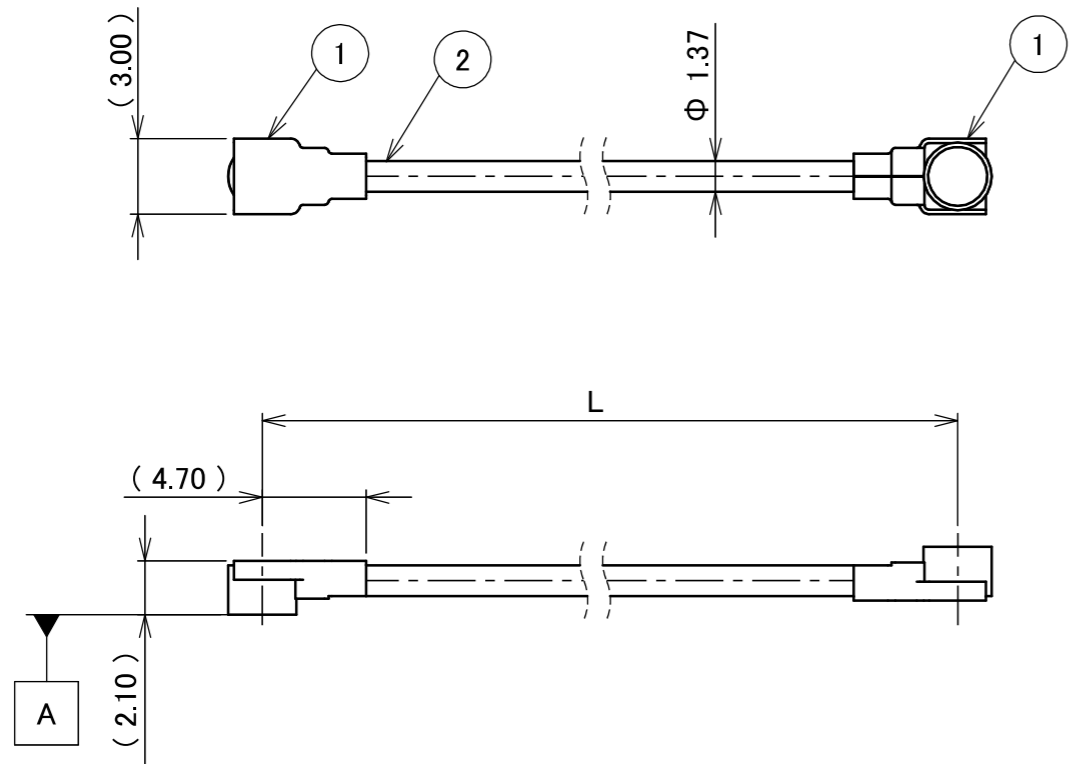
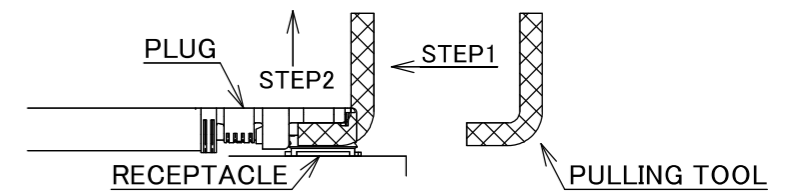


PART NO.	L
8-25-0848	400.00±3.0 mm

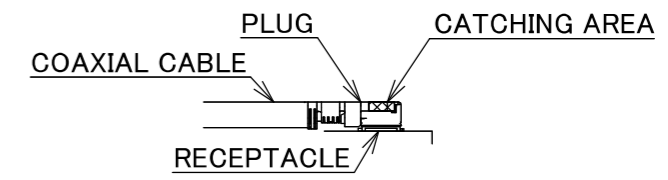
PLEASE CONTACT I-PEX FOR REQUESTS OTHER THAN THIS SPECIFICATIONS.  
PLEASE NOTE IF SPECIFICATIONS CHANGE, PART NO. WILL ALSO CHANGE.



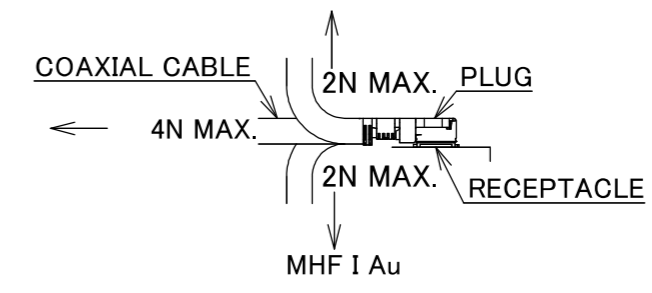
NOTES  
1. SUGGESTIONS FOR MATING & UNMATING OPERATION.  
1-1. MATING  
MATE THE CONNECTOR VERTICALLY,  
ALIGNING THE MATING AXIS ON PLUG AND RECEPTACLE.  
DO NOT SLANT MATE.  
1-2. UNMATING  
1-2-1.  
UNMATING BY PULLING TOOL.  
[P/N 90192-001 (MHF I), ]  
USE THE PULLING TOOL AS THE FOLLOWING, AND  
PULL PLUG TO VERTICAL DIRECTION AS DIRECTLY AS POSSIBLE.



1-2-2.  
UNMATING DIRECTLY BY HAND.  
HOLD THE CATCHING AREA ON PLUG AND PULL THE PLUG  
VERTICALLY.



2. PACKING : PLASTIC BAG  
3. PERMISSIBLE LOAD ON THE CABLE AFTER MATING



4. CABLE CRIMP STRENGTH : 15N MIN.

2	CABLE	1	AWG#30 Φ 1.37, BRAIDED SHIELD , BLACK
1	CONNECTOR-1, 2	2	MHF I Au
NO.	DESCRIPTION	QTY	REMARK

					ANGLE	±2°	6 OVER 30 MAX.	±0.3	PROJECTION	SERIES No.	CUSTOMER COPY		
					6 MAX.	±0.2	30 OVER 120 MAX.	±0.5		H-250060E	I-PEX		
					GENERAL TOLERANCE.				TITLE	SCALE	I-PEX		
					DWG.	DATE			MHF®	X:1	I-PEX		
					Y.Nishimura	2026/01/29			I-I CABLE137-2	UNIT	I-PEX		
					CHK.					mm	I-PEX		
0	ZH00377	Y.Ni	2026/01/29	-	T.Takuno					SIZE	SHEET	REV.	
REV.	ECN	BY	DATE	APP.	APP.				DWG. No.	8-25-0848	A3	1/1	0
REVISION RECORD					K.Yufu								



Confidential C

I-PEX Inc.

QKE-DFE06-02 REV.12