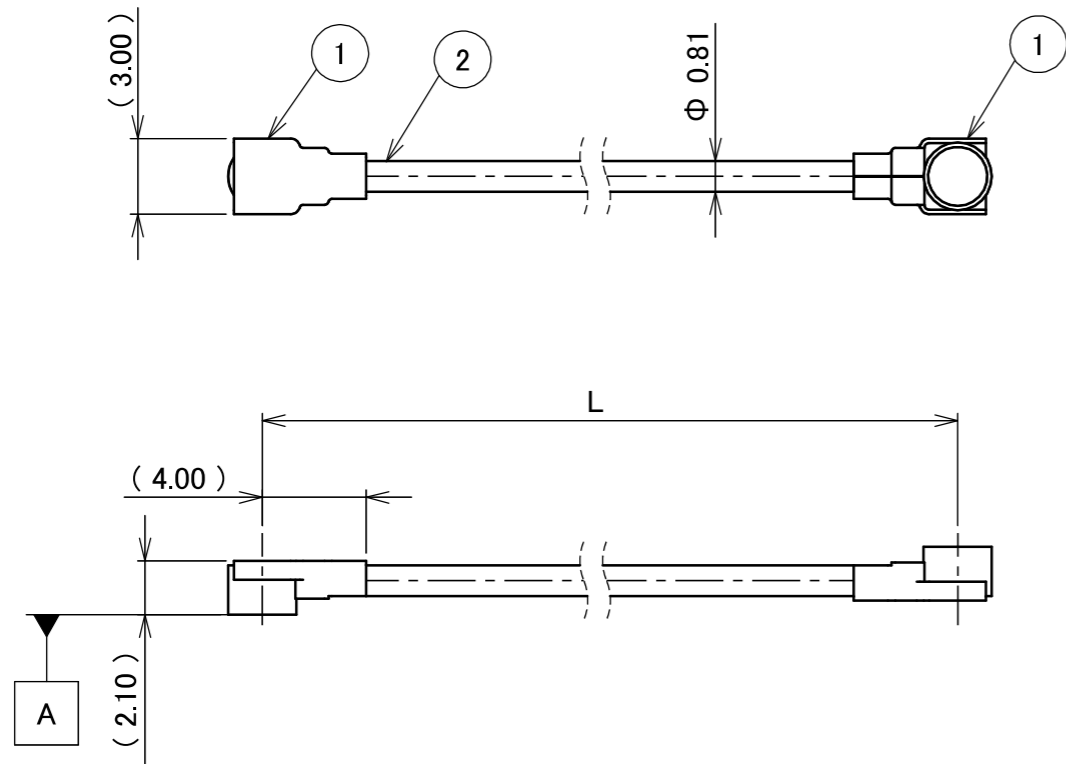


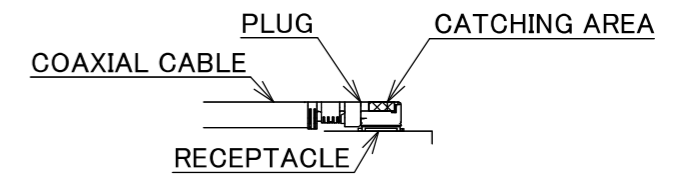
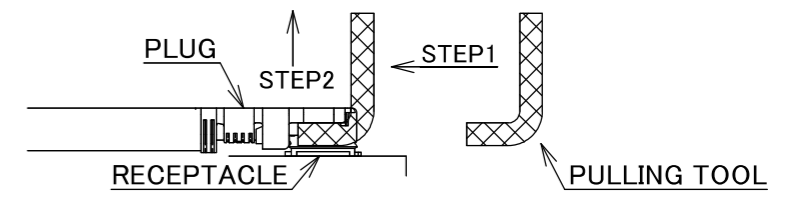
| | |
|-----------|---------------|
| PART NO. | L |
| 8-25-0835 | 400.00±3.0 mm |

PLEASE CONTACT I-PEX FOR REQUESTS OTHER THAN THIS SPECIFICATIONS.
PLEASE NOTE IF SPECIFICATIONS CHANGE, PART NO. WILL ALSO CHANGE.

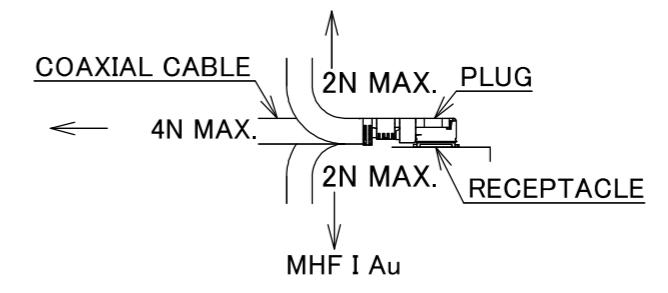


NOTES

1. SUGGESTIONS FOR MATING & UNMATING OPERATION.
 - 1-1. MATING
MATE THE CONNECTOR VERTICALLY, ALIGNING THE MATING AXIS ON PLUG AND RECEPTACLE. DO NOT SLANT MATE.
 - 1-2. UNMATING
 - 1-2-1.
UNMATING BY PULLING TOOL.
[P/N 90192-001 (MHF I),]
USE THE PULLING TOOL AS THE FOLLOWING, AND PULL PLUG TO VERTICAL DIRECTION AS DIRECTLY AS POSSIBLE.
 - 1-2-2.
UNMATING DIRECTLY BY HAND.
HOLD THE CATCHING AREA ON PLUG AND PULL THE PLUG VERTICALLY.



2. PACKING : PLASTIC BAG
3. PERMISSIBLE LOAD ON THE CABLE AFTER MATING



4. CABLE CRIMP STRENGTH : 10N MIN.

| | | | |
|-----|----------------|-----|---------------------------------------|
| 2 | CABLE | 1 | AWG#36 Φ 0.81, BRAIDED SHIELD , BLACK |
| 1 | CONNECTOR-1, 2 | 2 | MHF I Au |
| NO. | DESCRIPTION | QTY | REMARK |

| | | | | | | | | | | | | | |
|-----------------|---------|-----|------------|------|--------------------|------|------------------|------|----------------|------------|---------------|------|---|
| | | | | | ANGLE | ±2° | 6 OVER 30 MAX. | ±0.3 | PROJECTION | SERIES No. | CUSTOMER COPY | | |
| | | | | | 6 MAX. | ±0.2 | 30 OVER 120 MAX. | ±0.5 | | H-250056D | I-PEX | | |
| | | | | | GENERAL TOLERANCE. | | | | TITLE | SCALE | I-PEX | | |
| | | | | | DWG. | | DATE | | MHF® | X:1 | I-PEX | | |
| | | | | | M.Toida | | 2026/01/27 | | I-I CABLE081-2 | UNIT | I-PEX | | |
| | | | | | CHK. | | | | | mm | I-PEX | | |
| 0 | ZH00370 | TOI | 2026/01/27 | - | T.Takuno | | | | | SIZE | SHEET | REV. | |
| REV. | ECN | BY | DATE | APP. | APP. | | | | DWG. No. | 8-25-0835 | A3 | 1/1 | 0 |
| REVISION RECORD | | | | | K.Yufu | | | | | | | | |



Confidential C

I-PEX Inc.

QKE-DFE06-02 REV.12