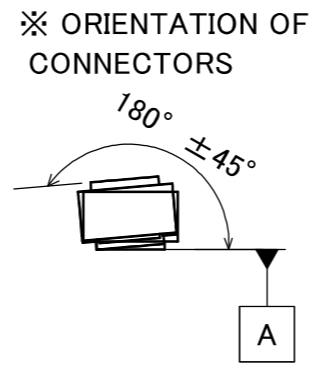
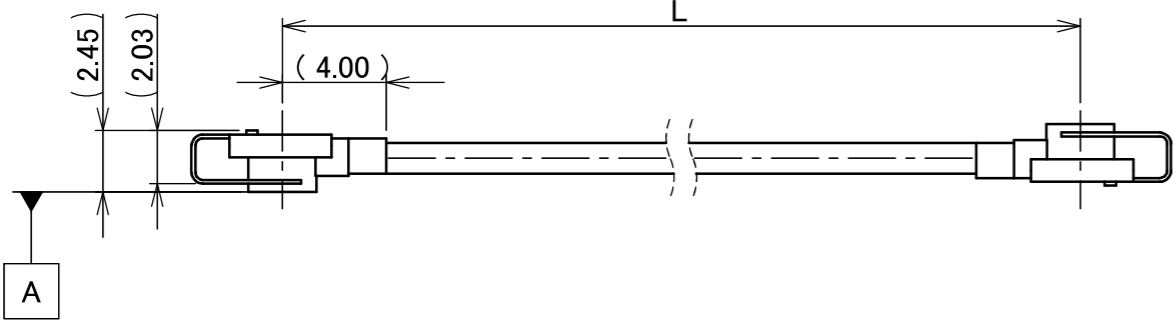
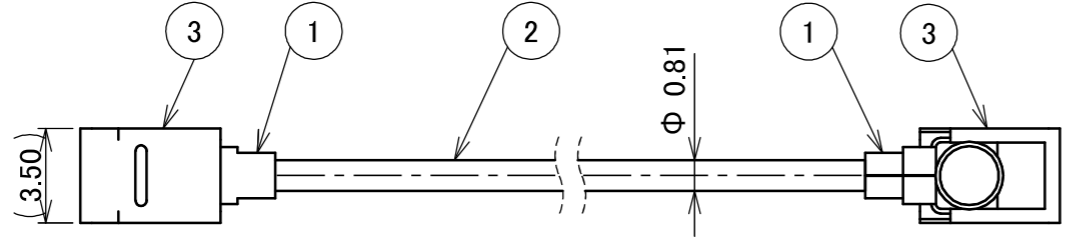
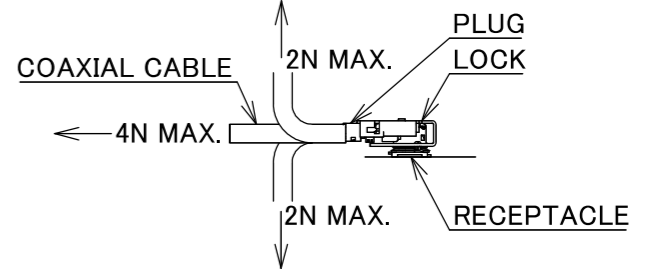


PART NO.	L
8-25-0883	400.00±3.0 mm

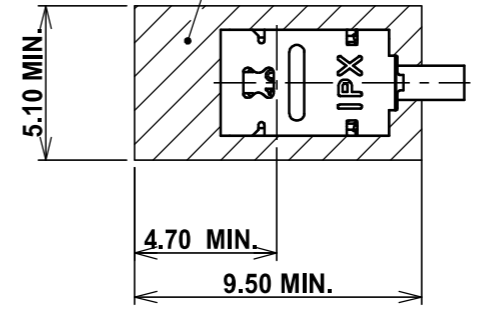
PLEASE CONTACT I-PEX FOR REQUESTS OTHER THAN THIS SPECIFICATIONS.
PLEASE NOTE IF SPECIFICATIONS CHANGE, PART NO. WILL ALSO CHANGE.

- NOTES
1. PACKING : PLASTIC BAG
 2. PERMISSIBLE LOAD ON THE CABLE AFTER MATING
 3. CABLE CRIMP STRENGTH : 10N MIN.
 4. TO OPERATE LOCK PART
FOLLOW I-PEX INSTRUCTION MANUAL HIM-17020.
 5. DO NOT ROTATE THE PLUG IN THE MATING CONDITION.

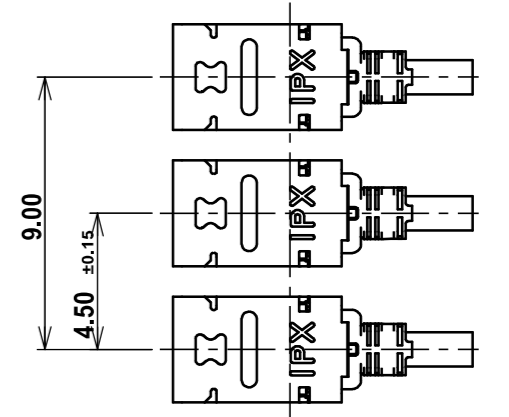


MULTIPLE CONNECTORS LAYOUT

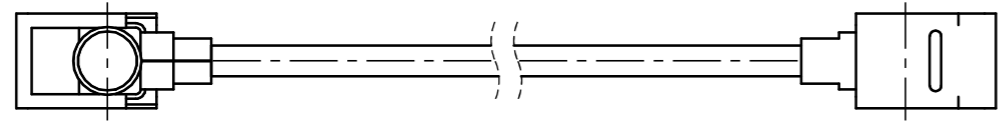
COMPONENTS PLACEMENT PROHIBITED AREA
REQUIRED AREA FOR RECOMMENDED JIG TO OPERATE
MHF I LK HARNESS IN 4.50±0.15 mm PITCH (M.2 PITCH) SMOOTHLY.
JIG PART NUMBER: 91492-0001



MATING AND LOCK CONDITION WITH MHF I LK HARNESS NARROW PITCH

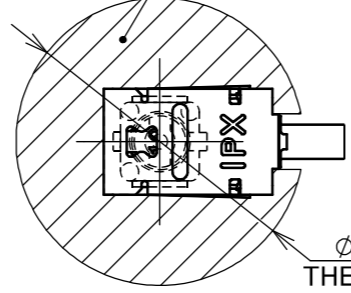


MHF I LK HARNESS UNLOCK CONDITION NARROW PITCH DIMENSIONS



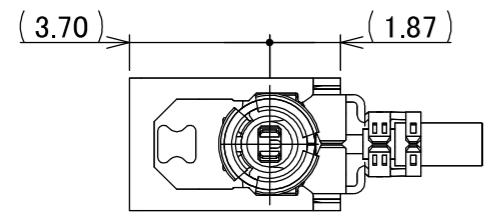
SINGLE CONNECTOR LAYOUT

COMPONENTS PLACEMENT PROHIBITED AREA FOR PLUG 360° ROTATION AND UNMATING AND LOCK
JIG PART NUMBER: 91026-0001, 91492-0001

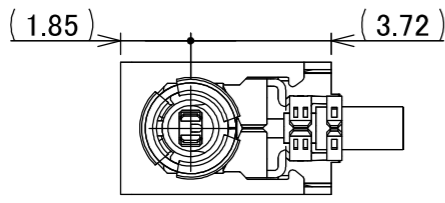


Φ 9.50 MIN.
THE CENTER OF THE CIRCLE MATCHES THE CENTER OF RECEPTACLE.

MATING AND LOCK CONDITION WITH MHF I LK HARNESS



UNLOCKED CONDITION



LOCKED CONDITION

DO NOT MATE WITH RECEPTACLE UNDER THIS LOCKED CONDITION.

3	LOCK PART	2	-
2	CABLE	1	AWG#36 Φ 0.81, BRAIDED SHIELD , BLACK
1	CONNECTOR-1, 2	2	MHF I Au
NO.	DESCRIPTION	QTY	REMARK

				ANGLE	±2°	6 OVER 30 MAX.	±0.3	PROJECTION ⊕	SERIES No. H-250065D	CUSTOMER COPY					
					6 MAX.	±0.2	30 OVER 120 MAX.				±0.5				
				GENERAL TOLERANCE.				TITLE MHF® I-I CABLE081-2 +LK	SCALE X:1	UNIT mm	I-PEX				
				DWG.	M.Toida		DATE					2026/01/29			
				CHK.	T.Takuno										
0	ZH00383	TOI	2026/01/29	APP.	K.Yufu			DWG. No.	8-25-0883	SIZE	A3	SHEET	1/1	REV.	0



Confidential C

I-PEX Inc.

QKE-DFE06-02 REV.12