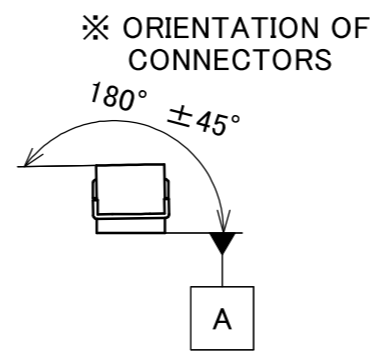
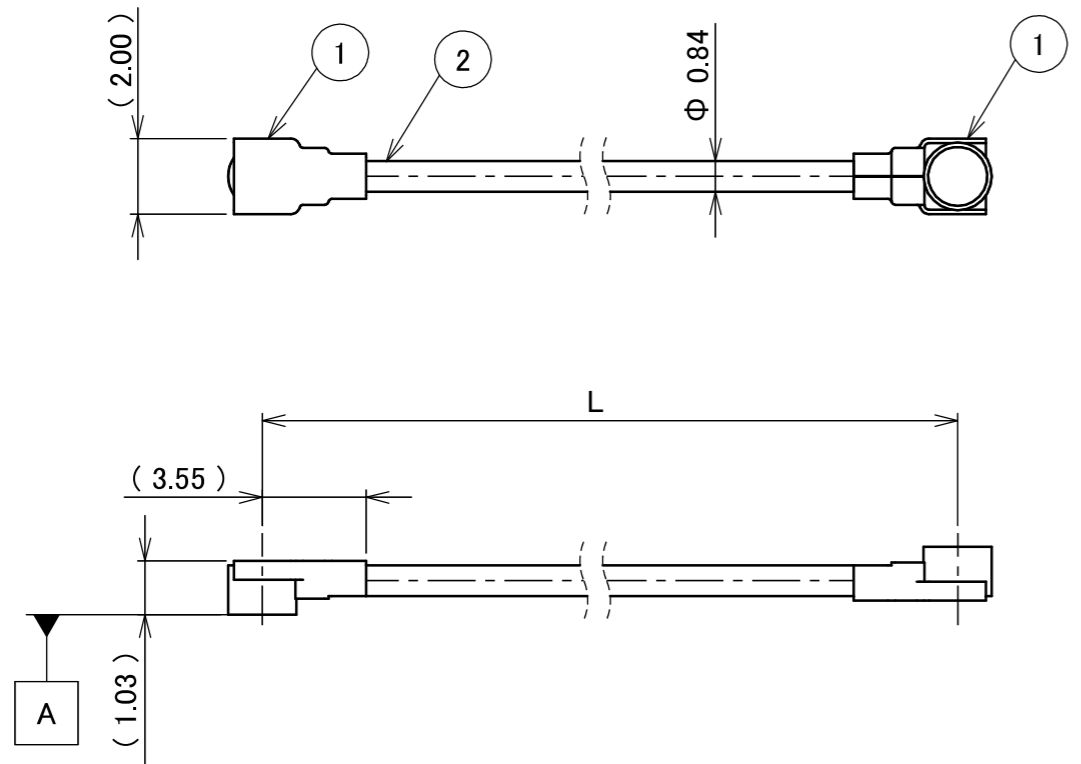
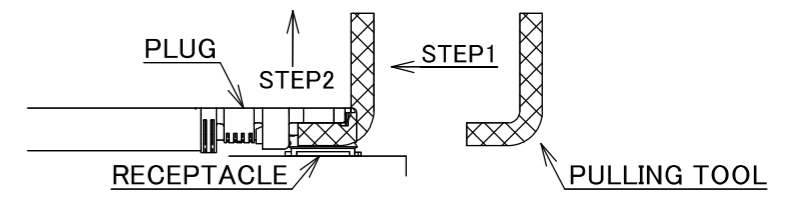


PART NO.	L
8-25-0970	400.00±3.0 mm

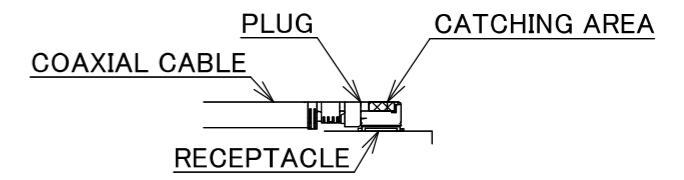
PLEASE CONTACT I-PEX FOR REQUESTS OTHER THAN THIS SPECIFICATIONS.
PLEASE NOTE IF SPECIFICATIONS CHANGE, PART NO. WILL ALSO CHANGE.



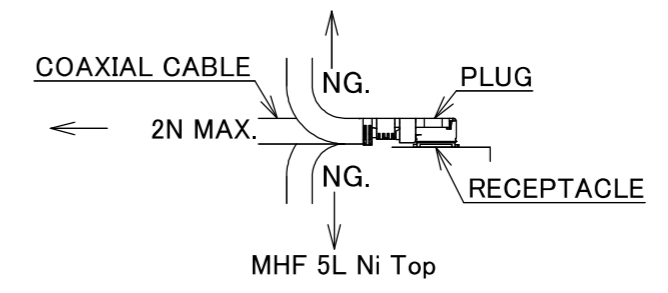
NOTES
1. SUGGESTIONS FOR MATING & UNMATING OPERATION.
1-1. MATING
MATE THE CONNECTOR VERTICALLY, ALIGNING THE MATING AXIS ON PLUG AND RECEPTACLE. DO NOT SLANT MATE.
1-2. UNMATING
1-2-1. UNMATING BY PULLING TOOL. [P/N 90612-0001 (MHF 5L),] USE THE PULLING TOOL AS THE FOLLOWING, AND PULL PLUG TO VERTICAL DIRECTION AS DIRECTLY AS POSSIBLE.



1-2-2. UNMATING DIRECTLY BY HAND. HOLD THE CATCHING AREA ON PLUG AND PULL THE PLUG VERTICALLY.



2. PACKING : PLASTIC BAG
3. PERMISSIBLE LOAD ON THE CABLE AFTER MATING



4. CABLE CRIMP STRENGTH : 10N MIN.

2	CABLE	1	AWG#33 Φ 0.84, SPIRAL SHIELD , BLACK
1	CONNECTOR-1, 2	2	MHF 5L Ni Top
NO.	DESCRIPTION	QTY	REMARK

					ANGLE	±2°	6 OVER 30 MAX.	±0.3	PROJECTION ⊕	SERIES No. H-250086D	CUSTOMER COPY			
						6 MAX.	±0.2	30 OVER 120 MAX.						±0.5
					GENERAL TOLERANCE.				TITLE					
					DWG.	M.Toida		DATE	2026/02/04		MHF®		SCALE	I-PEX
					CHK.	T.Takuno				5L-5L CABLE084-2		UNIT		
					APP.	K.Yufu				8-25-0970		mm		
REV.	ECN	BY	DATE	APP.	REVISION RECORD				DWG. No.	8-25-0970		SIZE	SHEET	REV.
											A3		1/1	1



Confidential C

I-PEX Inc.

QKE-DFE06-02 REV.12