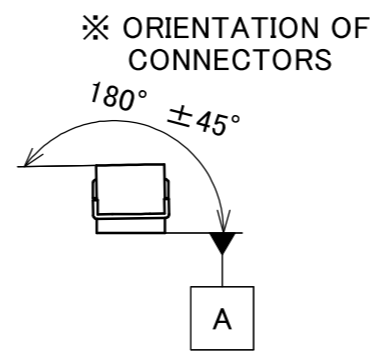
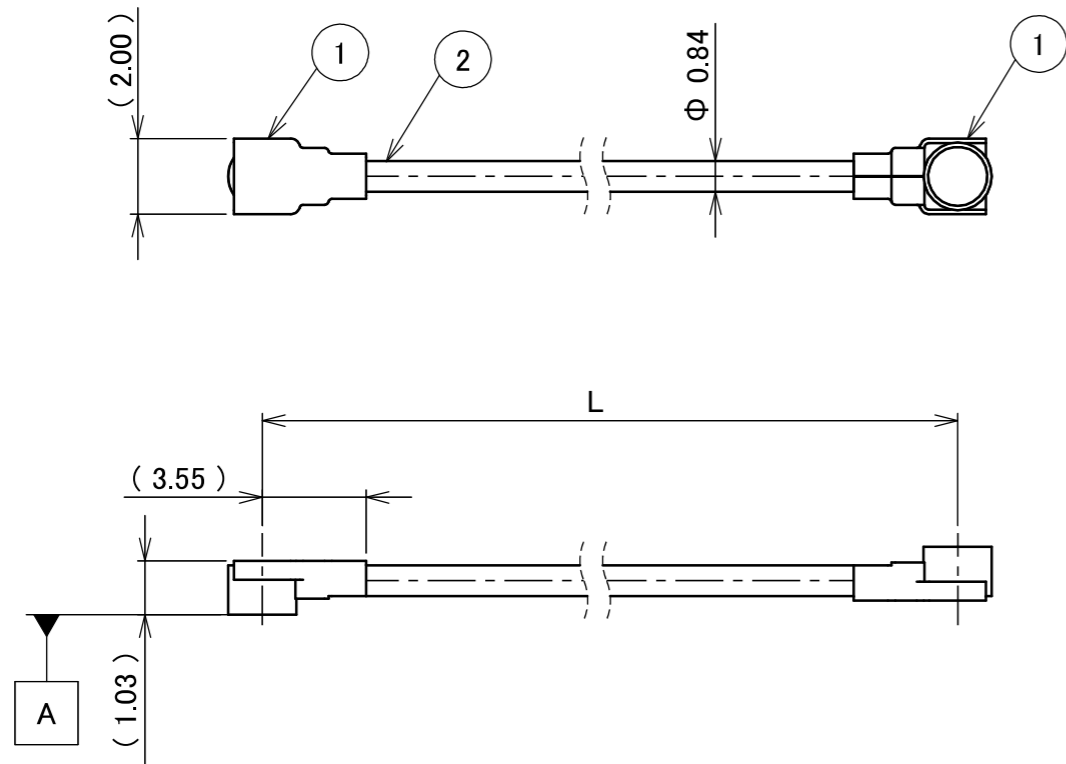
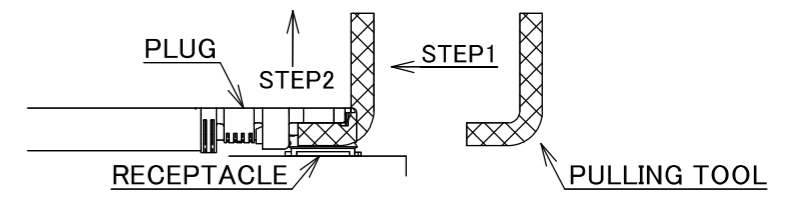


PART NO.	L
8-25-0969	300.00±3.0 mm

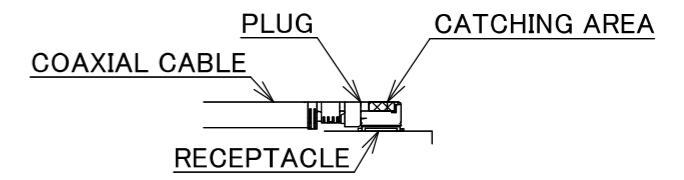
PLEASE CONTACT I-PEX FOR REQUESTS OTHER THAN THIS SPECIFICATIONS.
PLEASE NOTE IF SPECIFICATIONS CHANGE, PART NO. WILL ALSO CHANGE.



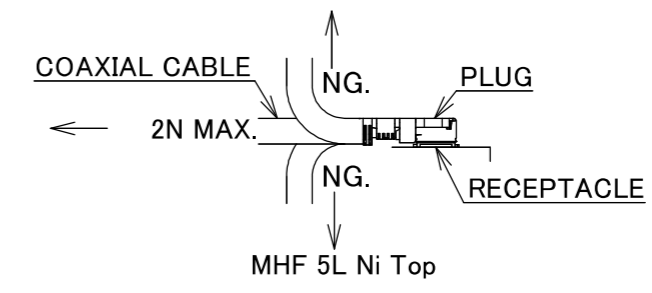
NOTES
1. SUGGESTIONS FOR MATING & UNMATING OPERATION.
1-1. MATING
MATE THE CONNECTOR VERTICALLY, ALIGNING THE MATING AXIS ON PLUG AND RECEPTACLE. DO NOT SLANT MATE.
1-2. UNMATING
1-2-1. UNMATING BY PULLING TOOL.
[P/N 90612-0001 (MHF 5L),]
USE THE PULLING TOOL AS THE FOLLOWING, AND PULL PLUG TO VERTICAL DIRECTION AS DIRECTLY AS POSSIBLE.



1-2-2. UNMATING DIRECTLY BY HAND.
HOLD THE CATCHING AREA ON PLUG AND PULL THE PLUG VERTICALLY.



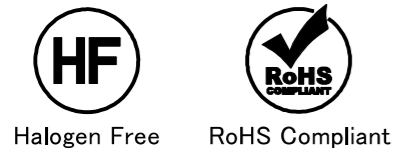
2. PACKING : PLASTIC BAG
3. PERMISSIBLE LOAD ON THE CABLE AFTER MATING



4. CABLE CRIMP STRENGTH : 10N MIN.

2	CABLE	1	AWG#33 Φ 0.84, SPIRAL SHIELD , BLACK
1	CONNECTOR-1, 2	2	MHF 5L Ni Top
NO.	DESCRIPTION	QTY	REMARK

					ANGLE	±2°	6 OVER 30 MAX.	±0.3	PROJECTION	SERIES No.	CUSTOMER COPY		
					6 MAX.	±0.2	30 OVER 120 MAX.	±0.5		H-250086C	I-PEX		
					GENERAL TOLERANCE.				TITLE	SCALE	I-PEX		
					DWG.		DATE		MHF®	X:1	I-PEX		
					M.Toida		2026/02/04		5L-5L CABLE084-2	UNIT	I-PEX		
					CHK.					mm	I-PEX		
					T.Takuno					SIZE	SHEET	REV.	
1	ZH00621	TOI	2026/07/06	Yufu	APP.				DWG. No.	A3	1/1	1	
0	ZH00398	TOI	2026/02/04	-	K.Yufu				8-25-0969				
REVISION RECORD													



Confidential C

I-PEX Inc.

QKE-DFE06-02 REV.12