

Recommended P/N

91256-0001

PART No.

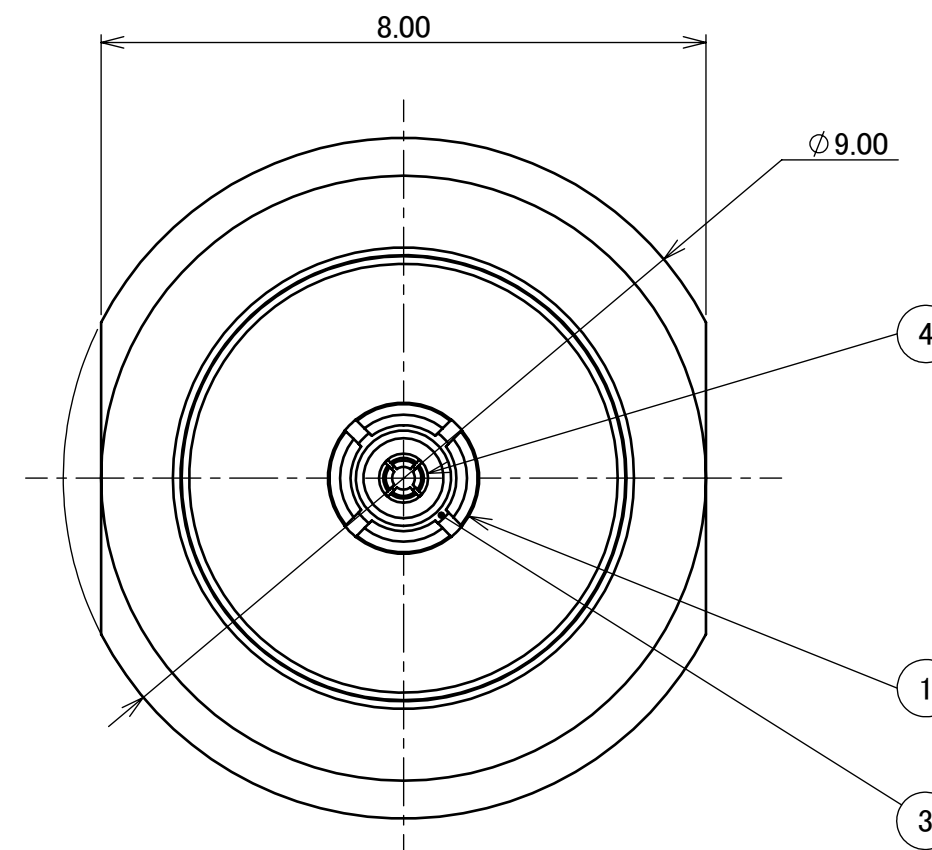
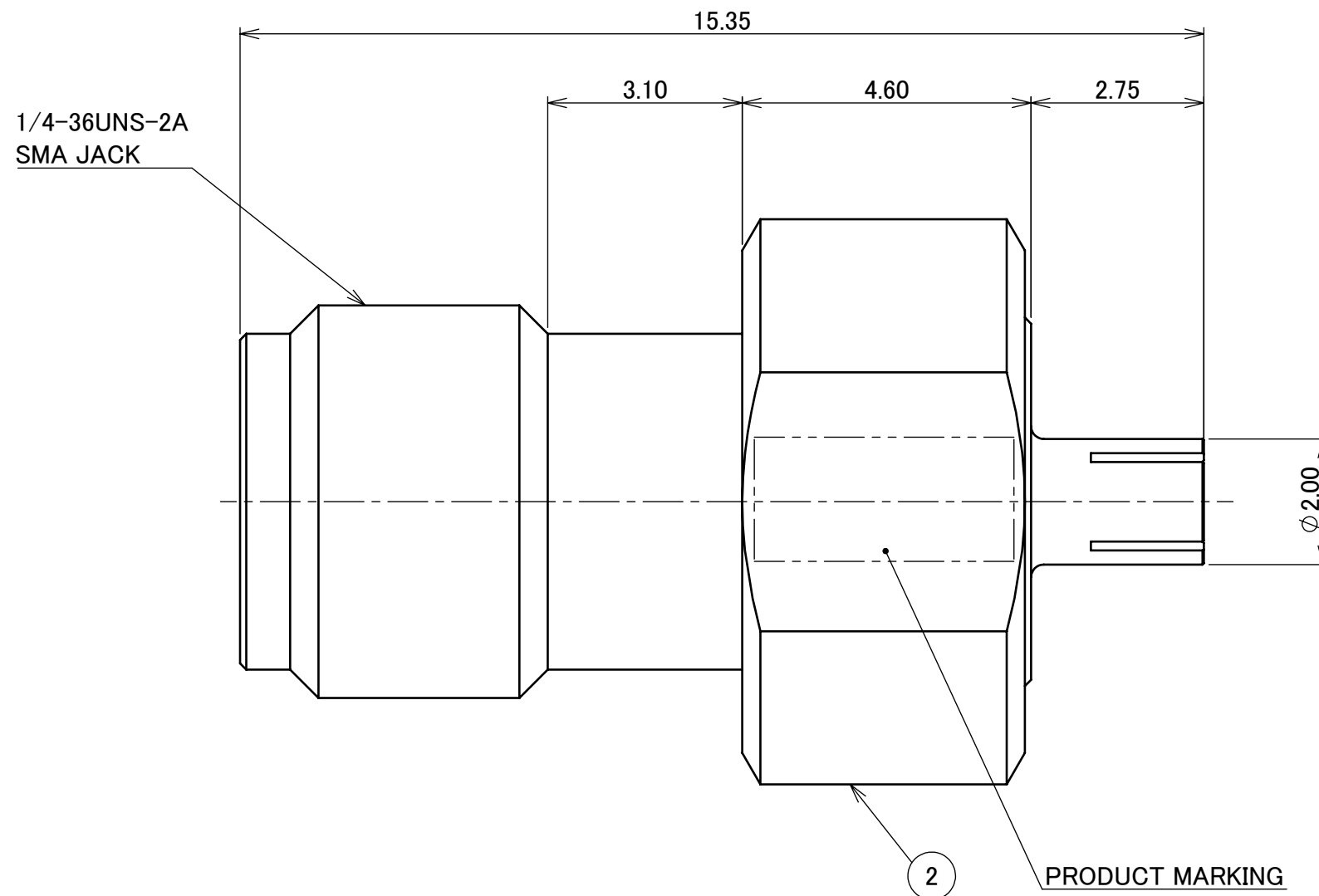
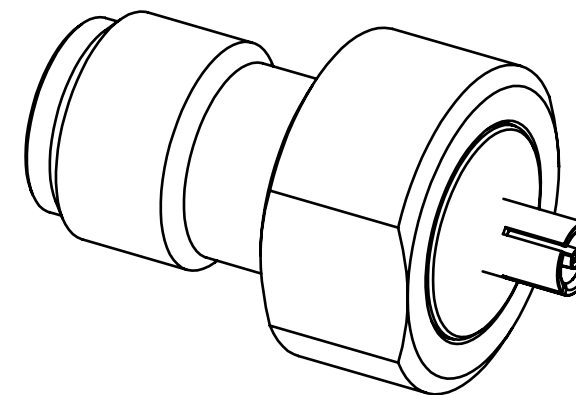
91256-0001



Halogen Free



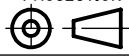
RoHS Compliant



4	INNER CONTACT	BERYLLIUM COPPER	Au OVER Ni
3	INSULATOR	PTFE	-
2	BODY	STAINLESS STEEL	PASSIVATION
1	OUTER CONTACT	BERYLLIUM COPPER	Au OVER Ni
NO.	DESCRIPTION	MATERIAL	FINISH , REMARKS

					ANGLE	±2°	6 OVER 30 MAX.	±0.3	PROJECTION ⊕	SERIES No. R0	CUSTOMER COPY	
						6 MAX.	±0.2	30 OVER 120 MAX.				±0.5
					GENERAL TOLERANCE.				TITLE MHF® 7S RECEPTACLE SMA ADAPTER	SCALE	I-PEX	
					DWG.	DATE				10:1		
					CHK.	2022/11/30				UNIT		
0	Z221329	Y.I	2022/11/30		K.Yufu				mm			
REV.	ECN	BY	DATE	APP.	Y.Hashimoto			DWG. No.	91256	SIZE	SHEET	REV.
REVISION RECORD										A3	1/2	0

ITEMS	SPECIFICATION
APPLICABLE CONNECTOR PART No.	20981-001E-02
RATING VOLTAGE	60 V AC (R.M.S)
RATING FREQUENCY	DC~15GHz
OPERATING TEMPERATURE	233~358 K (-40°C~+85°C)
VSWR (FOR 20981-001E-02)	1.20 MAX. AT 0.1~6GHz, 1.40 MAX. AT 6~12GHz, 1.50 MAX. AT 12~15GHz
INSULATION RESISTANCE	500 Mohm MIN.
DIELECTRIC WITHSTANDING VOLTAGE	AC 200 V 1min
DURABILITY	500 CYCLES
PRODUCT SPECIFICATION	PRS-2811
TEST REPORT	TR-22044
PACKING STANDARD	PST-12033
INSTRUCTION MANUAL	HIM-22023
APPEARANCE CRITERIA No.	QLS-A***

ANGLE	±2°	6 OVER 30 MAX.	±0.3	PROJECTION 	SERIES No. R0	CUSTOMER COPY		
6 MAX.	±0.2	30 OVER 120 MAX.	±0.5					
GENERAL TOLERANCE.				TITLE MHF® 7S RECEPTACLE SMA ADAPTER	SCALE -	I-PEX		
DWG.	DATE							
CHK.								
APP.								
				DWG. No.	91256	SIZE A3	SHEET 2/2	REV. 0