

PART No.

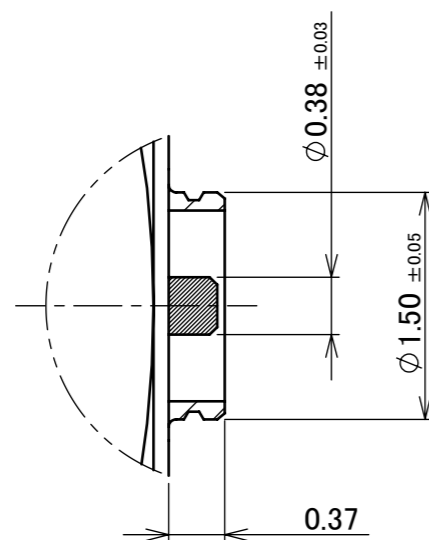
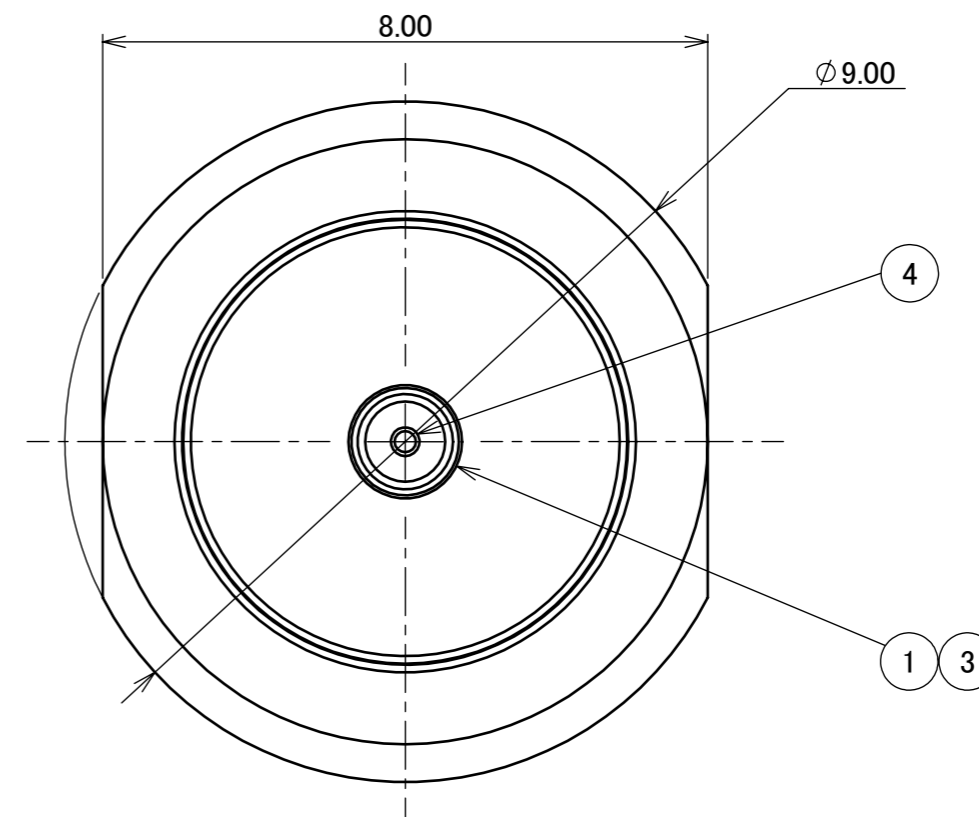
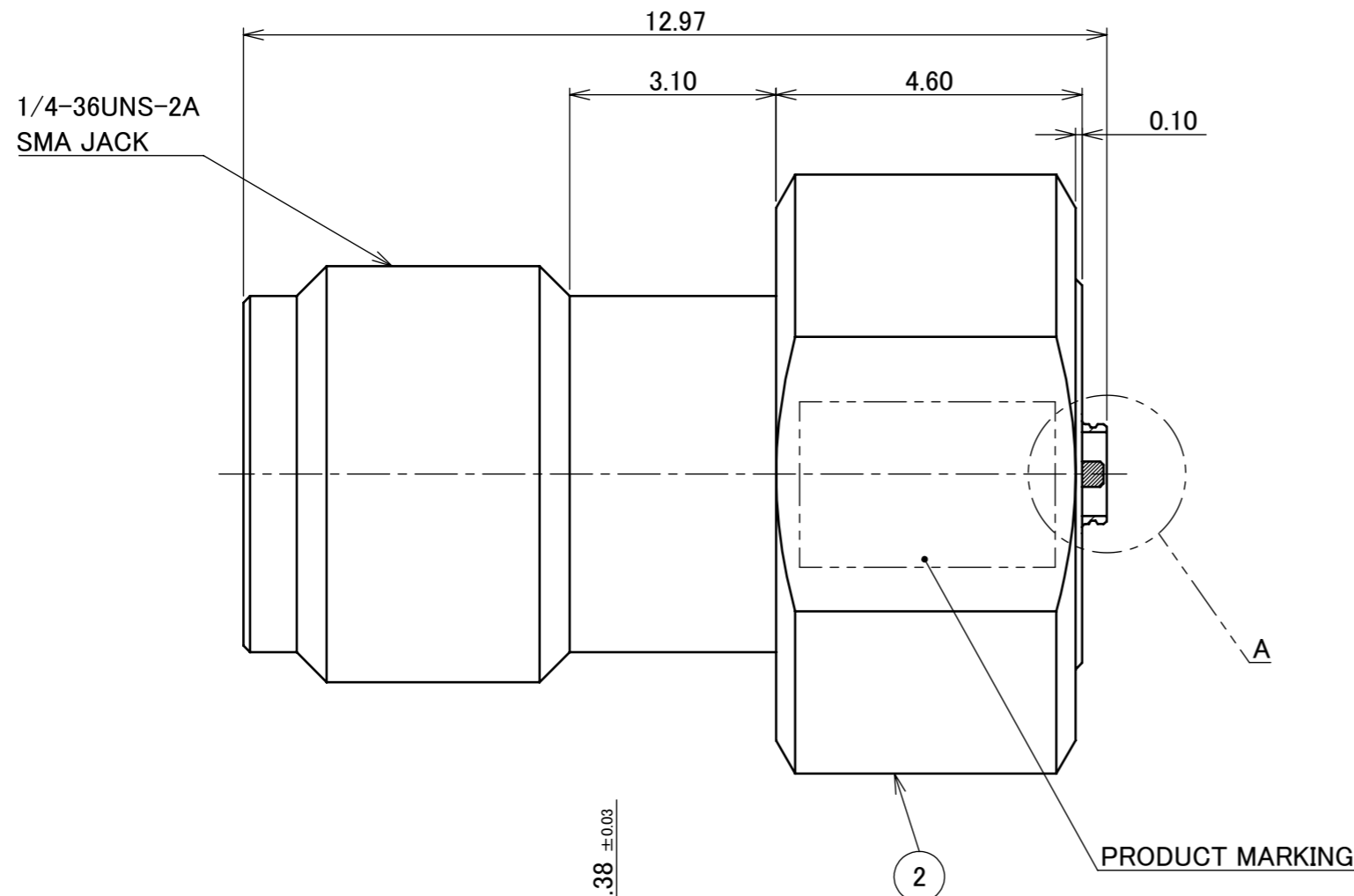
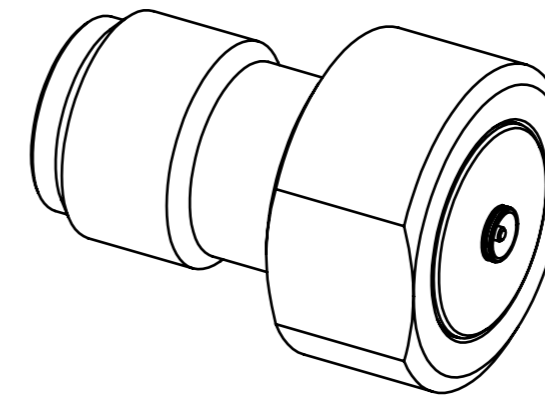
91255-0001



Halogen Free



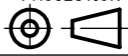
RoHS Compliant



4	INNER CONTACT	BERYLLIUM COPPER	Au OVER Ni
3	INSULATOR	PTFE	-
2	BODY	STAINLESS STEEL	PASSIVATION
1	OUTER CONTACT	STAINLESS STEEL	Au OVER Ni
NO.	DESCRIPTION	MATERIAL	FINISH , REMARKS

					ANGLE	±2°	6 OVER 30 MAX.	±0.3	PROJECTION ⊕	SERIES No. R0	CUSTOMER COPY		
						6 MAX.	±0.2	30 OVER 120 MAX.				±0.5	
					GENERAL TOLERANCE.				TITLE MHF® 7S PLUG SMA ADAPTER	SCALE	I-PEX		
					DWG.	DATE				10:1			
					CHK.	2022/11/30				UNIT			
0	Z221329	Y.I	2022/11/30		K.Yufu				mm				
REV.	ECN	BY	DATE	APP.	Y.Hashimoto				DWG. No.	91255	SIZE	SHEET	REV.
REVISION RECORD									A3	1/2	0		

ITEMS	SPECIFICATION
APPLICABLE CONNECTOR PART No.	20980-001R-13
RATING VOLTAGE	60 V AC (R.M.S)
RATING FREQUENCY	DC~15GHz
OPERATING TEMPERATURE	233~358 K (-40°C~+85°C)
VSWR (FOR 20980-001R-13)	1.30 MAX. AT 0.1~3GHz, 1.40 MAX. AT 3~9GHz, 1.50 MAX. AT 9~12GHz, 1.70 MAX. AT 12~15GHz
INSULATION RESISTANCE	500 Mohm MIN.
DIELECTRIC WITHSTANDING VOLTAGE	AC 200 V 1min
DURABILITY	3,000 CYCLES
PRODUCT SPECIFICATION	PRS-2811
TEST REPORT	TR-22044
PACKING STANDARD	PST-12033
INSTRUCTION MANUAL	HIM-22023
APPEARANCE CRITERIA No.	QLS-A***

ANGLE	±2°	6 OVER 30 MAX.	±0.3	PROJECTION 	SERIES No. R0	CUSTOMER COPY		
6 MAX.	±0.2	30 OVER 120 MAX.	±0.5					
GENERAL TOLERANCE.				TITLE MHF® 7S PLUG SMA ADAPTER	SCALE -	I-PEX		
DWG.	DATE							
CHK.								
APP.								
				DWG. No.	91255	SIZE A3	SHEET 2/2	REV. 0