

Recommended P/N

91256-0001

PART No.

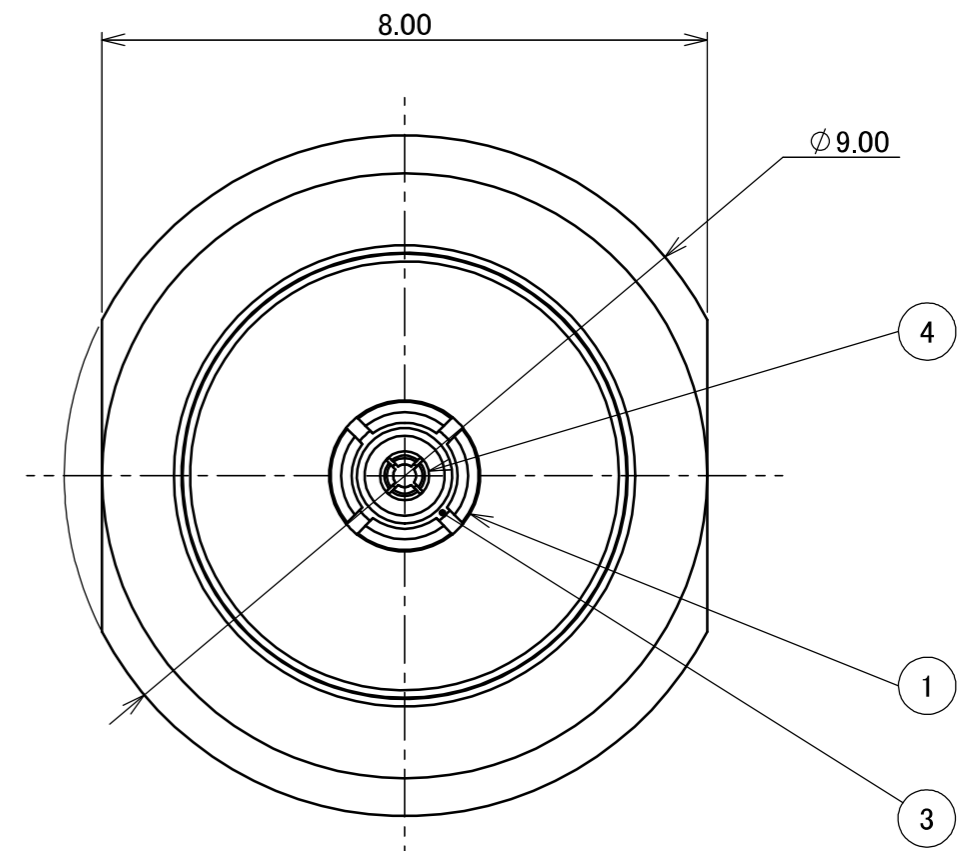
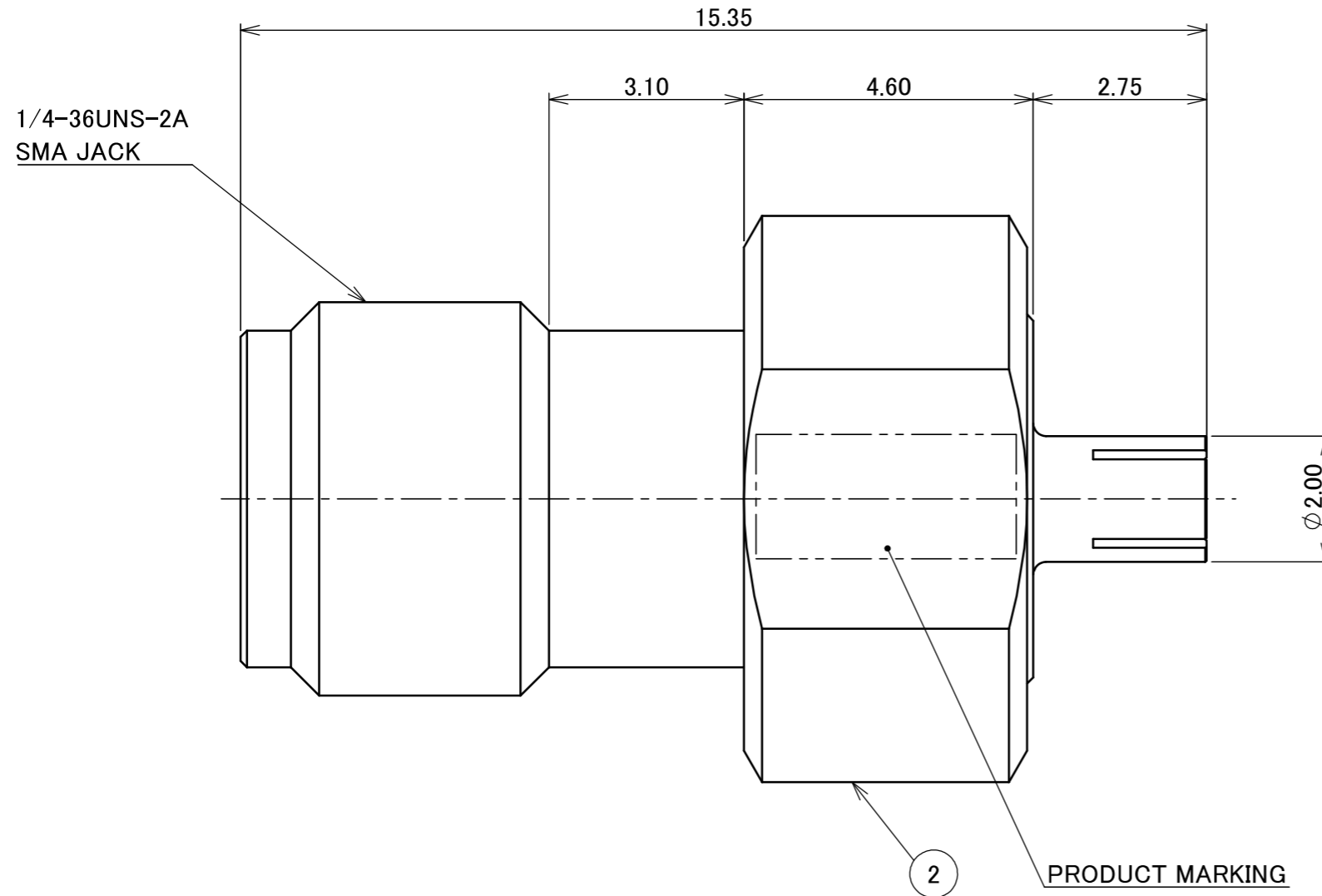
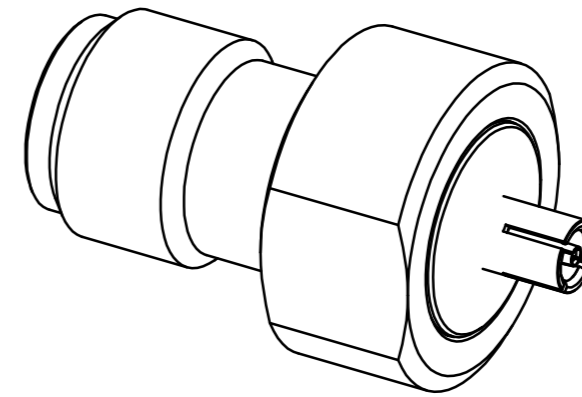
91256-0001



Halogen Free



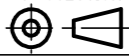
RoHS Compliant



NO.	DESCRIPTION	MATERIAL	FINISH, REMARKS
4	INNER CONTACT	BERYLLIUM COPPER	Au OVER Ni
3	INSULATOR	PTFE	-
2	BODY	STAINLESS STEEL	PASSIVATION
1	OUTER CONTACT	BERYLLIUM COPPER	Au OVER Ni

				ANGLE	±2°	6 OVER 30 MAX.	±0.3	PROJECTION ⊕	SERIES No. R0	CUSTOMER COPY
					6 MAX.	±0.2	30 OVER 120 MAX.			
				GENERAL TOLERANCE.				TITLE MHF® 7S RECEPTACLE SMA ADAPTER	SCALE	I-PEX
				DWG.	DATE		UNIT			
				Y.Imaji	2022/11/30				10:1	
				CHK.			mm	SIZE	SHEET	REV.
				K.Yufu						
0	Z221329	Y.I	2022/11/30	APP.			DWG. No.	91256		
REV.	ECN	BY	DATE	APP.						
REVISION RECORD						Y.Hashimoto				

ITEMS	SPECIFICATION
APPLICABLE CONNECTOR PART No.	20981-001E-02
RATING VOLTAGE	60 V AC (R.M.S)
RATING FREQUENCY	DC~15GHz
OPERATING TEMPERATURE	233~358 K (-40°C~+85°C)
VSWR (FOR 20981-001E-02)	1.20 MAX. AT 0.1~6GHz, 1.40 MAX. AT 6~12GHz, 1.50 MAX. AT 12~15GHz
INSULATION RESISTANCE	500 Mohm MIN.
DIELECTRIC WITHSTANDING VOLTAGE	AC 200 V 1min
DURABILITY	500 CYCLES
PRODUCT SPECIFICATION	PRS-2811
TEST REPORT	TR-22044
PACKING STANDARD	PST-12033
INSTRUCTION MANUAL	HIM-22023
APPEARANCE CRITERIA No.	QLS-A***

ANGLE	±2°	6 OVER 30 MAX.	±0.3	PROJECTION 	SERIES No. R0	CUSTOMER COPY		
6 MAX.	±0.2	30 OVER 120 MAX.	±0.5					
GENERAL TOLERANCE.				TITLE MHF® 7S RECEPTACLE SMA ADAPTER	SCALE -	I-PEX		
DWG.	DATE							
CHK.								
APP.								
				DWG. No.	91256	SIZE A3	SHEET 2/2	REV. 0