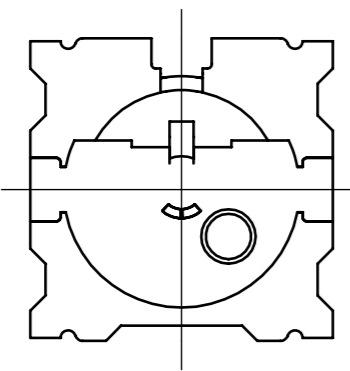
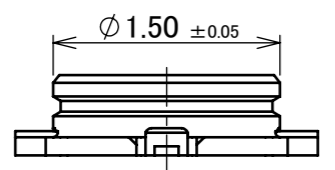
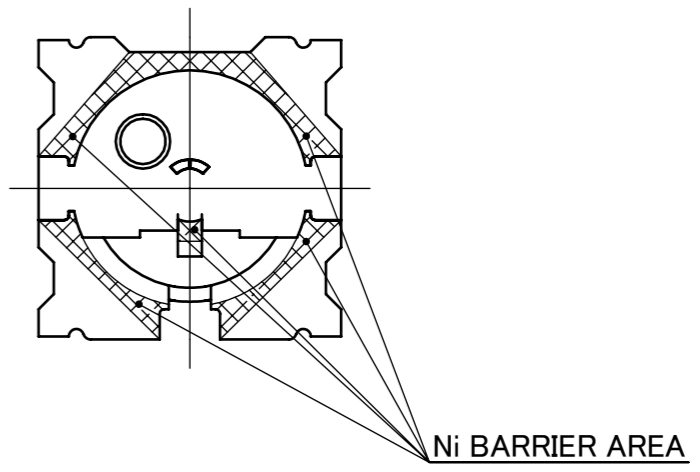
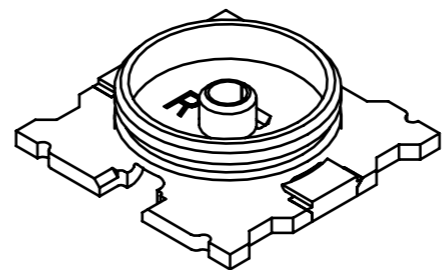
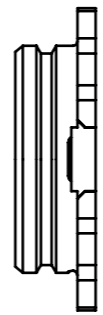
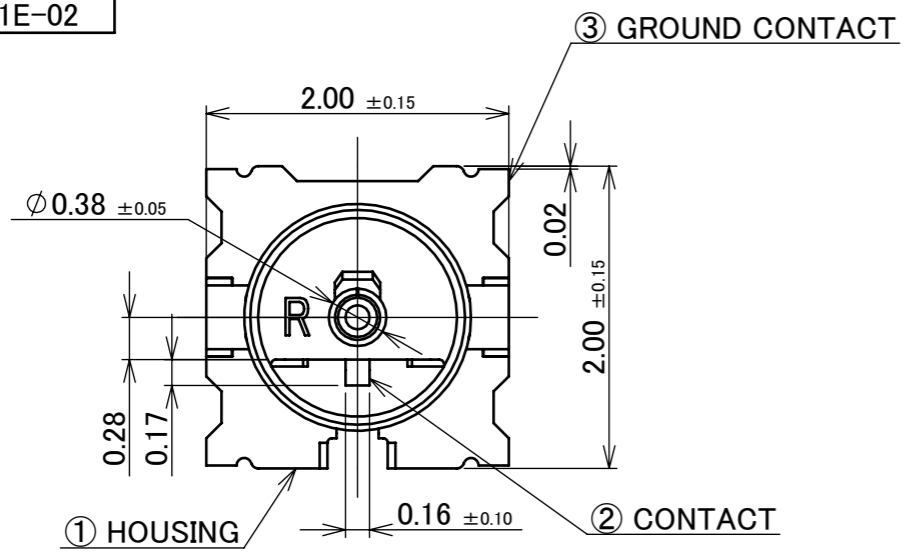
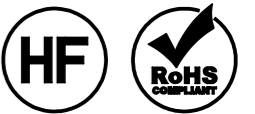
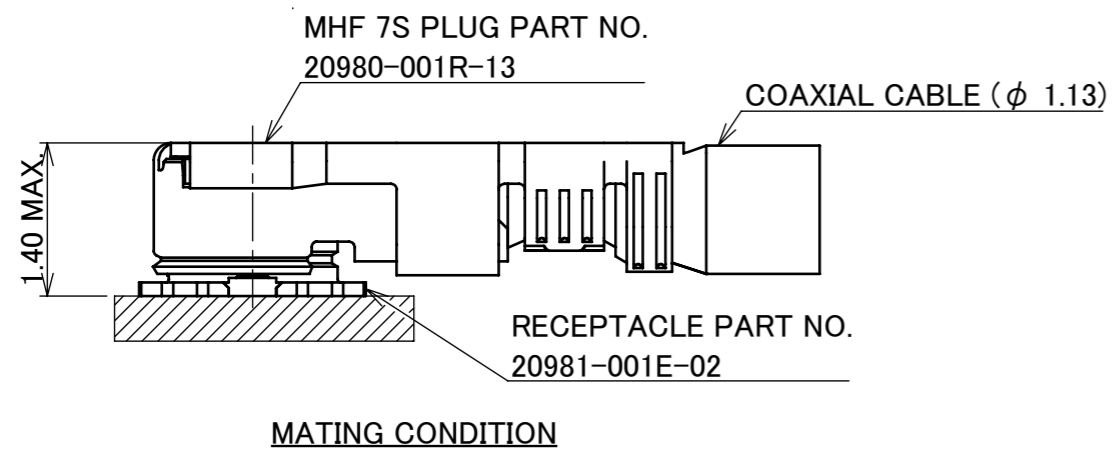


| |
|---------------|
| PART NO. |
| 20981-001E-02 |



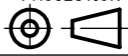
- NOTES
1. APPLICABLE CONNECTOR
20980-001R-13
 2. COPLANARITY: 0.08mm MAX.
 3. CHARACTERISTIC IMPEDANCE: 50Ω (NOMINAL VALUE)

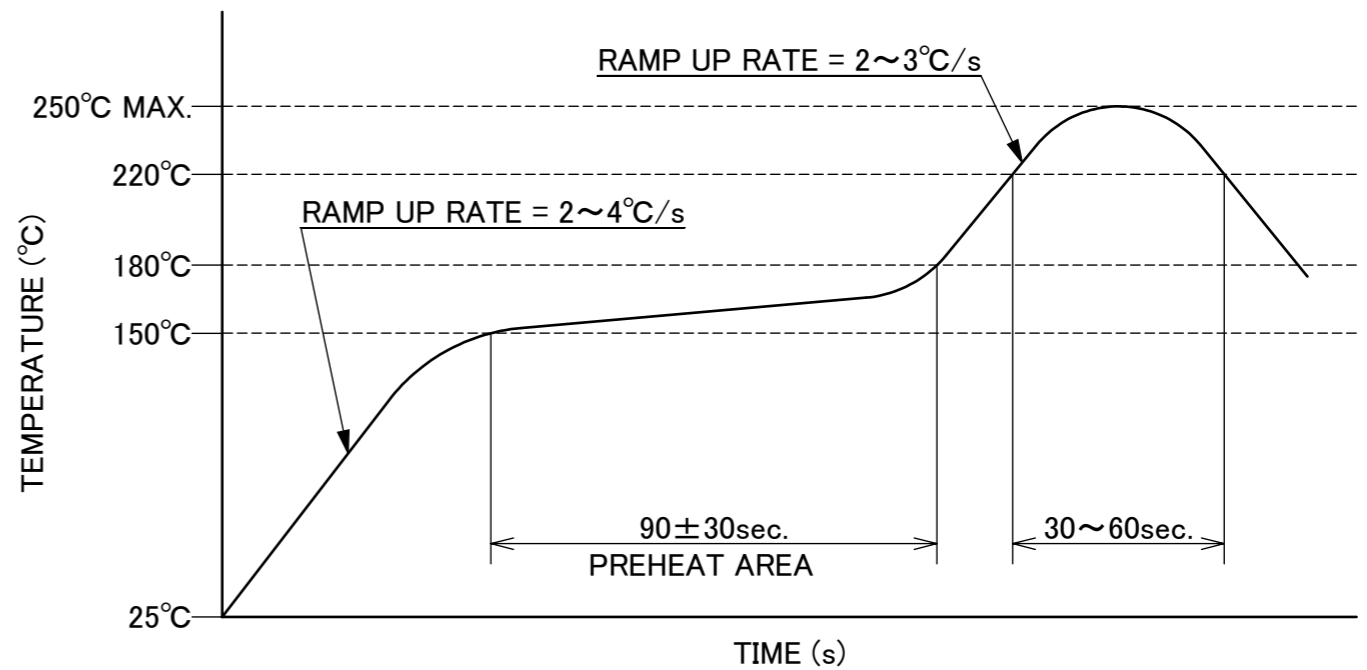
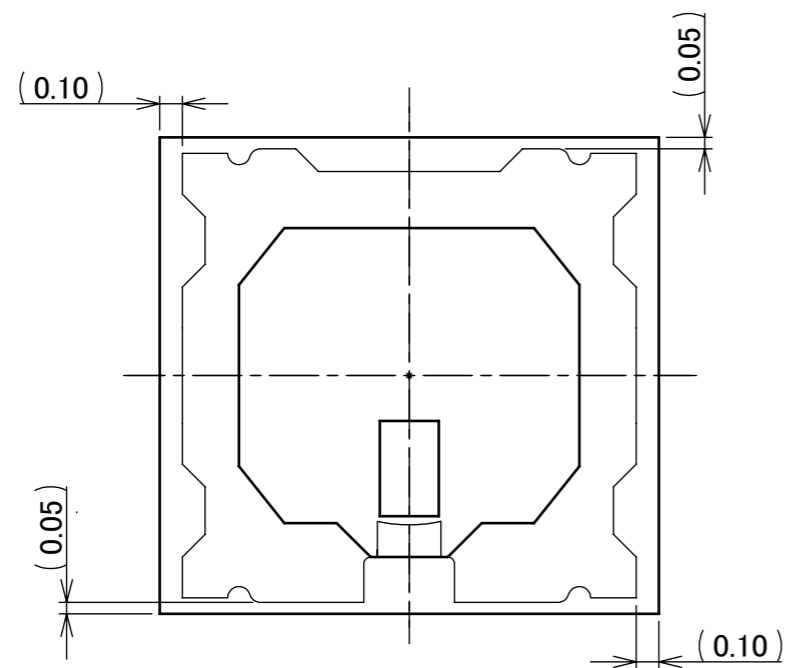
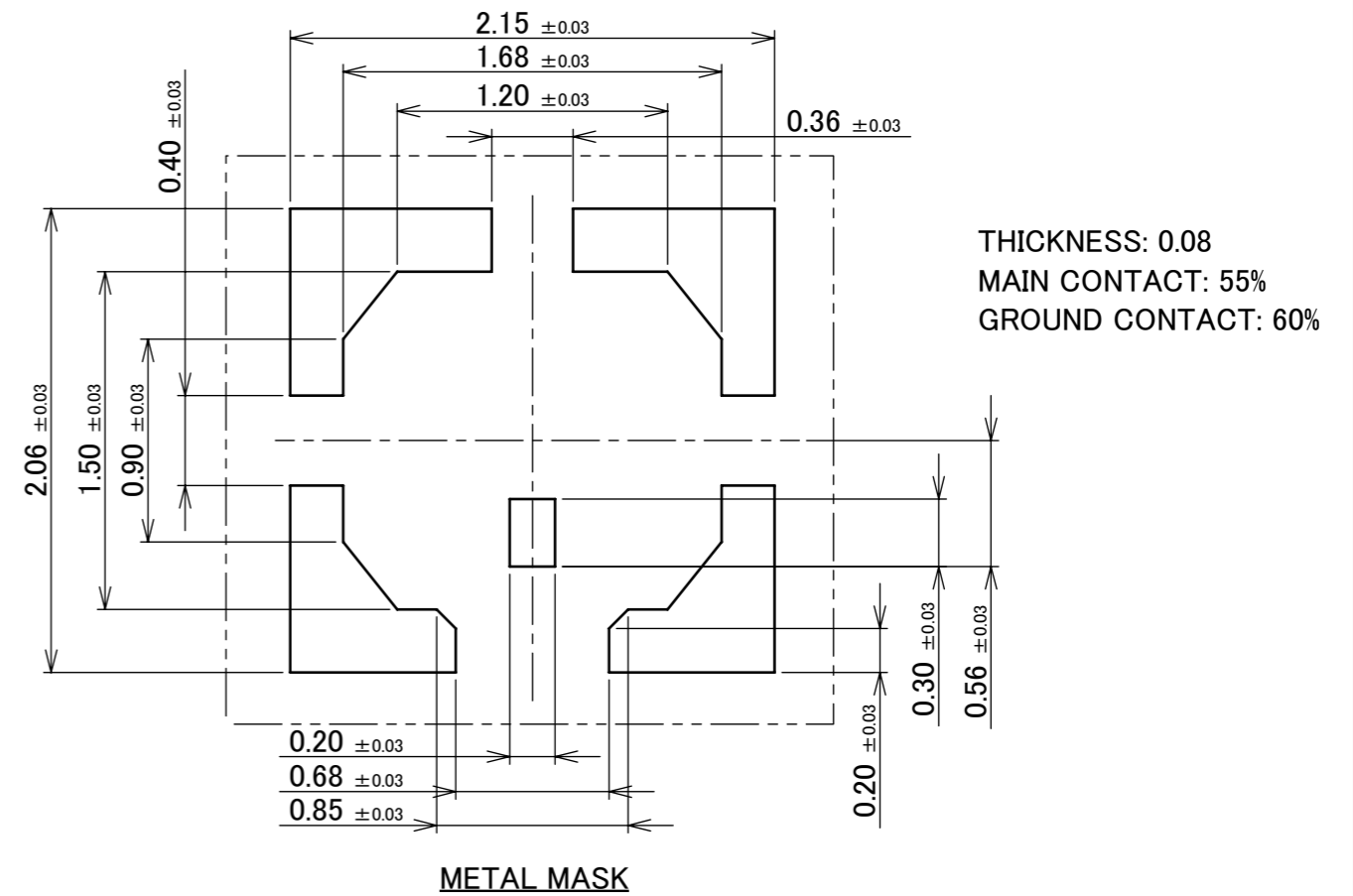
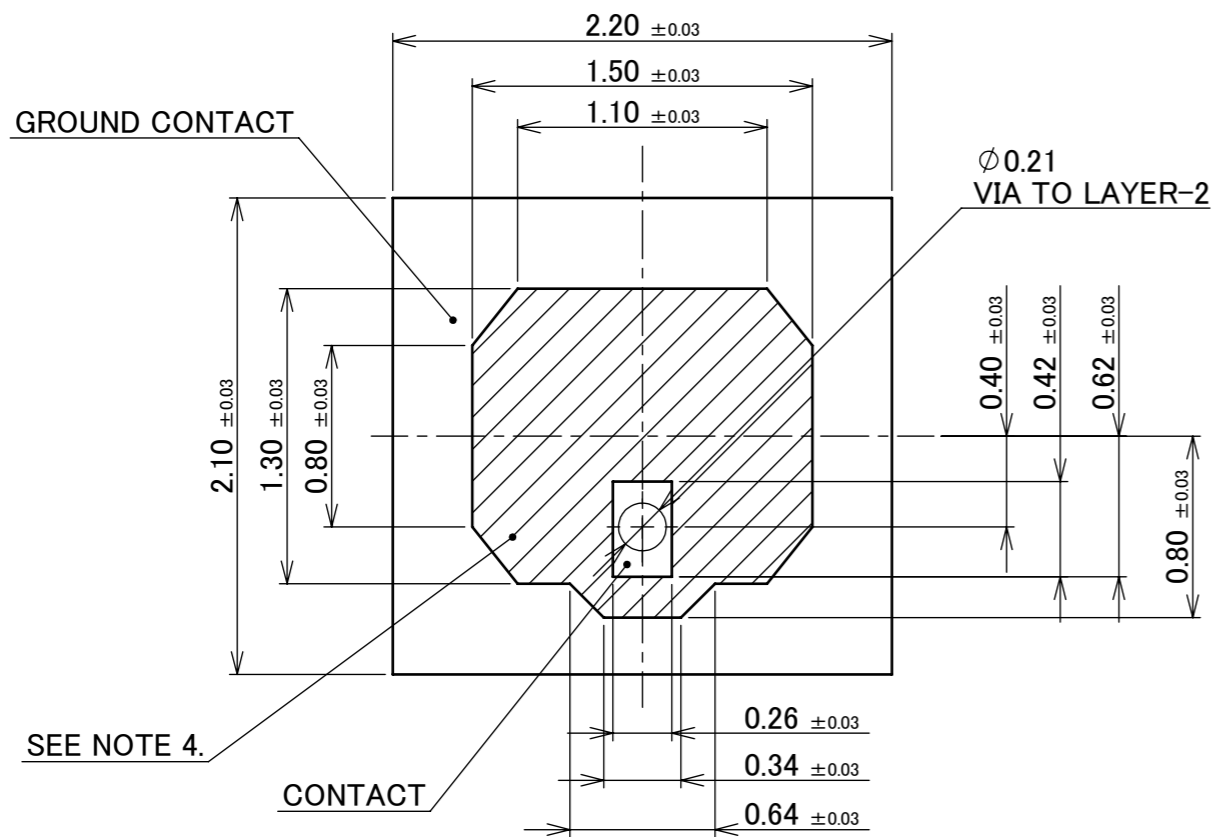


| NO. | DESCRIPTION | MATERIAL | FINISH , REMARKS |
|-----|----------------|-----------------|--|
| 3 | GROUND CONTACT | PHOSPHOR BRONZE | ALL OVER: Ni 1.00 μm MIN. CONTACT PART: 0.05 μm MIN. SOLDERING PART Au AREA: 0.02 μm MIN. |
| 2 | CONTACT | CORSON ALLOY | ALL OVER: Ni 1.00 μm MIN. CONTACT PART: 0.1 μm MIN. SOLDERING PART Au AREA: 0.02 μm MIN. |
| 1 | HOUSING | LCP | UL94V-0, WHITE |

| | | | | | | | | | | | | | |
|------|---------|-----|------------|------|--------------------|----------------|----------------|------------------|--------------------------------|------------------|---------------|---------------|-------|
| | | | | | ANGLE | ±2° | 6 OVER 30 MAX. | ±0.3 | PROJECTION ⊕ | SERIES No. R2 | CUSTOMER COPY | | |
| | | | | | | 6 MAX. | ±0.2 | 30 OVER 120 MAX. | | | ±0.5 | SCALE 20:1 | I-PEX |
| | | | | | GENERAL TOLERANCE. | | | | TITLE MHF® 7S RECEPTACLE | | UNIT mm | SHEET 1/5 | |
| 1 | Z201053 | Y.I | 2020/10/12 | Hiro | DWG. | Y.Imaji | DATE | 2020/07/13 | DWG. No. | | 20981 | | |
| 0 | Z200670 | Y.I | 2020/07/13 | | CHK. | S.Suzuki | | | | | | | |
| REV. | ECN | BY | DATE | APP. | APP. | Hiro Takahashi | | | | | | | |

| ITEMS | SPECIFICATION |
|---------------------------------------|---|
| APPLICABLE CONNECTOR PART No. | 20980-001R-13 |
| RATING VOLTAGE | 60 V AC (R.M.S)/DC |
| RATING FREQUENCY | DC~15 GHz |
| OPERATING TEMPERATURE | 233~363 K (-40°C~+90°C) |
| OPERATING HUMIDITY | 90% MAX. (NON-CONDENSING) |
| CHARACTERISTIC IMPEDANCE | 50 ohm (NOMINAL VALUE) |
| VSWR | 1.30 MAX. AT 0.1 ~ 3 GHz, 1.35 MAX. AT 3 ~ 6 GHz, 1.40 MAX. AT 6 ~ 9 GHz, 1.45 MAX. AT 9 ~ 12 GHz, 1.50 MAX. AT 12 ~ 15 GHz |
| MAIN CONTACT RESISTANCE | INITIAL : 20 mohm MAX. / AFTER TEST : Δ R 20 mohm MAX. |
| GROUND CONTACT RESISTANCE | INITIAL : 20 mohm MAX. / AFTER TEST : Δ R 20 mohm MAX. |
| INSULATION RESISTANCE | INITIAL : 500 Mohm MIN. / AFTER TEST : 100 Mohm MIN. |
| DIELECTRIC WITHSTANDING VOLTAGE | AC200V 1min |
| DURABILITY | 30 CYCLES |
| MATING FORCE (INITIAL / AFTER TEST) | INITIAL: 30N MAX. (VERTICAL DIRECTION) AFTER TEST: 30N MAX. (VERTICAL DIRECTION) |
| UNMATING FORCE (INITIAL / AFTER TEST) | INITIAL: 20N MAX., 5N MIN. (VERTICAL DIRECTION) AFTER TEST: 20N MAX., 3N MIN. (VERTICAL DIRECTION) |
| CRIMP STRENGTH | 10N MIN. |
| PRODUCT SPECIFICATION | PRS-2676 |
| TEST REPORT | TR-20043 |
| PACKING STANDARD | PST-19094 |
| INSTRUCTION MANUAL | HIM-19009 |
| APPEARANCE CRITERIA No. | QLS-A*** |

| | | | | | | | | |
|--------------------|---------------|------------------|-----------|---|------------------|----------------------|--------------|-----------|
| ANGLE | $\pm 2^\circ$ | 6 OVER 30 MAX. | ± 0.3 | PROJECTION  | SERIES No. R2 | CUSTOMER COPY | | |
| 6 MAX. | ± 0.2 | 30 OVER 120 MAX. | ± 0.5 | | | | | |
| GENERAL TOLERANCE. | | | | TITLE MHF [®] 7S RECEPTACLE | SCALE 5:1 | UNIT I-PEX | | |
| DWG. | DATE | | | | | | | |
| CHK. | | | | | | | | |
| APP. | | | | | | | | |
| | | | | DWG. No. | 20981 | SIZE A3 | SHEET 2/5 | REV. 1 |

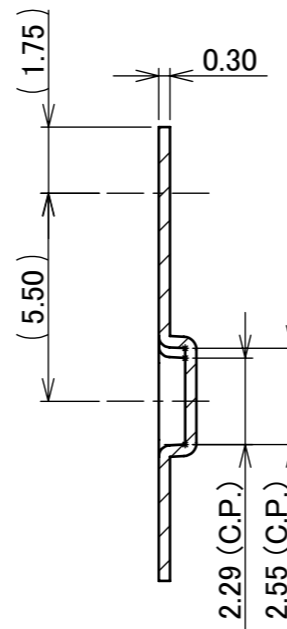
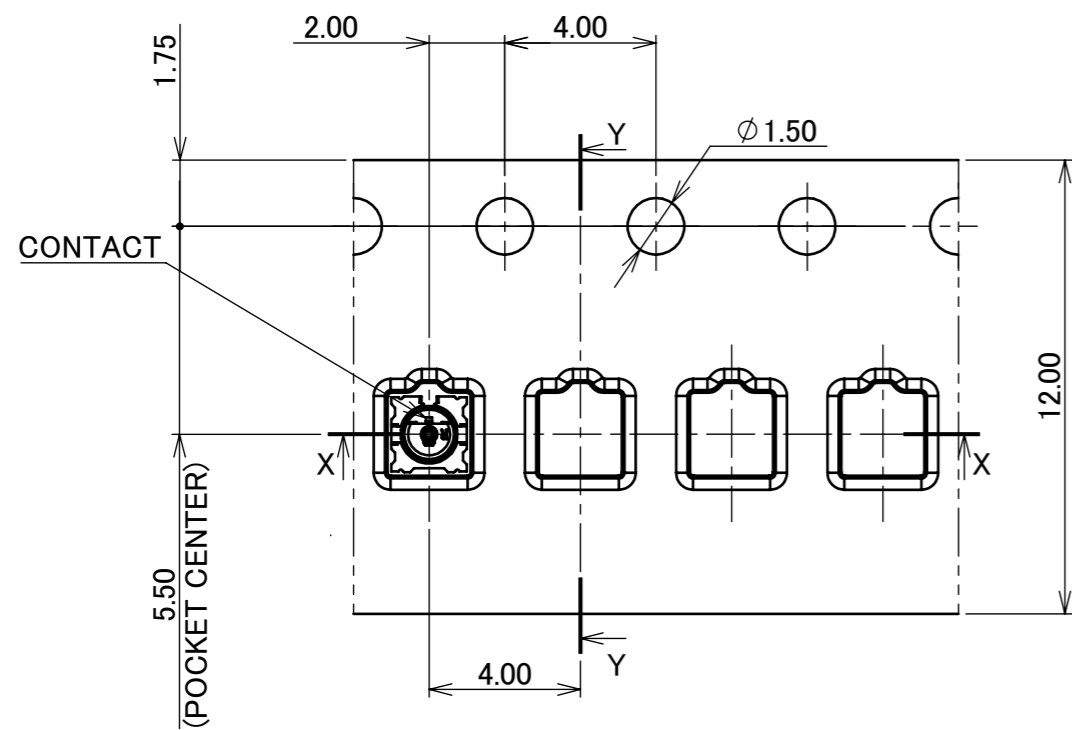
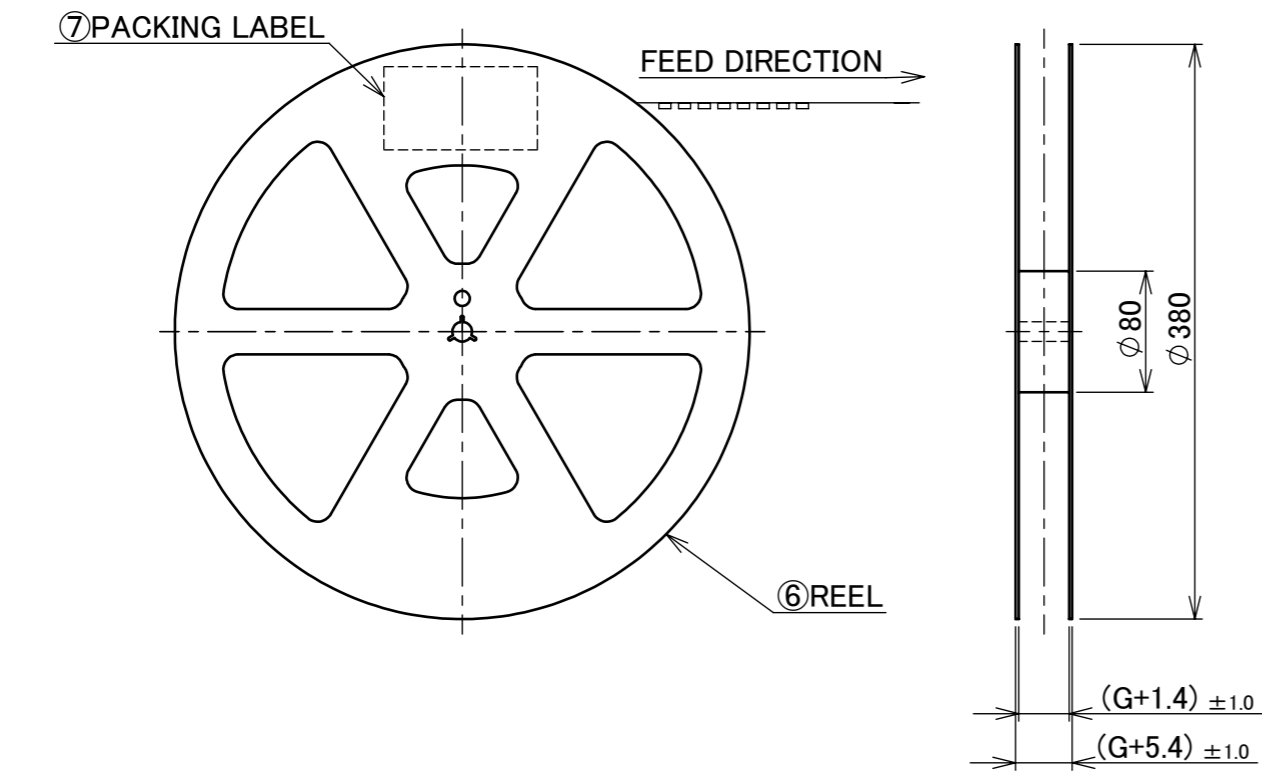


REFLOW TEMPERATURE PROFILE
SENJU METAL INDUSTRY CO., LTD. : M705-SHF(Sn96.5 Ag3.0 Cu0.5)

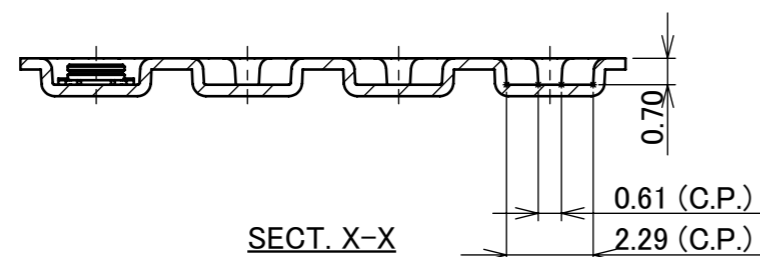
NOTES.
4. NO GROUND, SIGNAL, AND RESIST IN THIS AREA.

| | | | | | | | | | |
|--------------------|--------|----------------|------------------|-----------------------|------------------|---------------|-------|------|------|
| ANGLE | ±2° | 6 OVER 30 MAX. | ±0.3 | PROJECTION ⊕ | SERIES No. R2 | CUSTOMER COPY | | | |
| | 6 MAX. | ±0.2 | 30 OVER 120 MAX. | | | | | | ±0.5 |
| GENERAL TOLERANCE. | | | | TITLE | | SCALE | I-PEX | | |
| DWG. | DATE | | | MHF® 7S RECEPTACLE | | 30:1 | | | |
| CHK. | | | | | | UNIT | | | |
| APP. | | | | DWG. No. 20981 | | mm | | | |
| | | | | | | SIZE | SHEET | REV. | |
| | | | | | | A3 | 3/5 | 1 | |

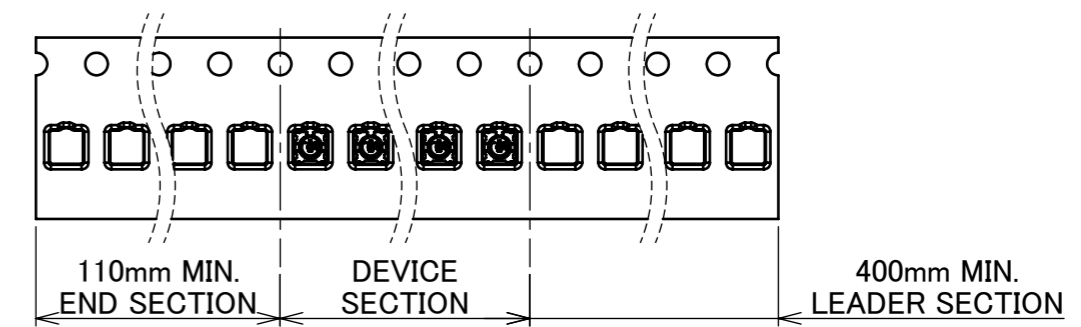
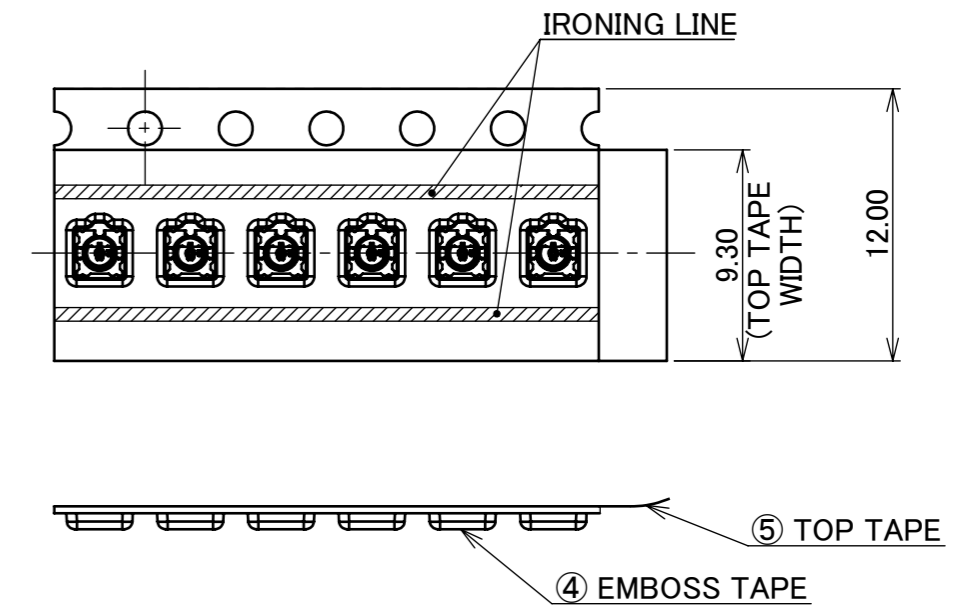
| | | | |
|---------------|----|---|---|
| PART NO. | G | QTY. PER EMBOSS REEL (PIECES / REEL) | QTY. PER PACKING CARTON (REELS / CARTON) |
| 20981-001E-02 | 12 | 10,000 / REEL | 9 / CARTON = 90,000 PIECES |



SECT. Y-Y



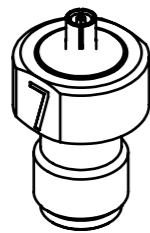
SECT. X-X



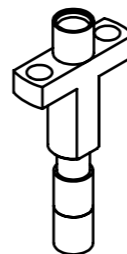
- NOTES.
- TAPING SPECIFICATION FOLLOWS JIS C 0806 (IEC 60286-3).
 - MAKE EMPTY SECTION OF LEADER AND END ON EACH END OF THE TAPE.
 - TOP TAPE SHALL NOT STICK OUT FROM EMBOSS TAPE.
 - TOP TAPE SHALL NOT COVER FEED HOLE.

| NO. | DESCRIPTION | MATERIAL | FINISH, REMARKS |
|-----|---------------|-------------|------------------|
| 7 | PACKING LABEL | - | - |
| 6 | REEL | PS | ANTI-STATIC TYPE |
| 5 | TOP TAPE | PET t=0.062 | ANTI-STATIC TYPE |
| 4 | EMBOSS TAPE | PS t=0.3 | - |

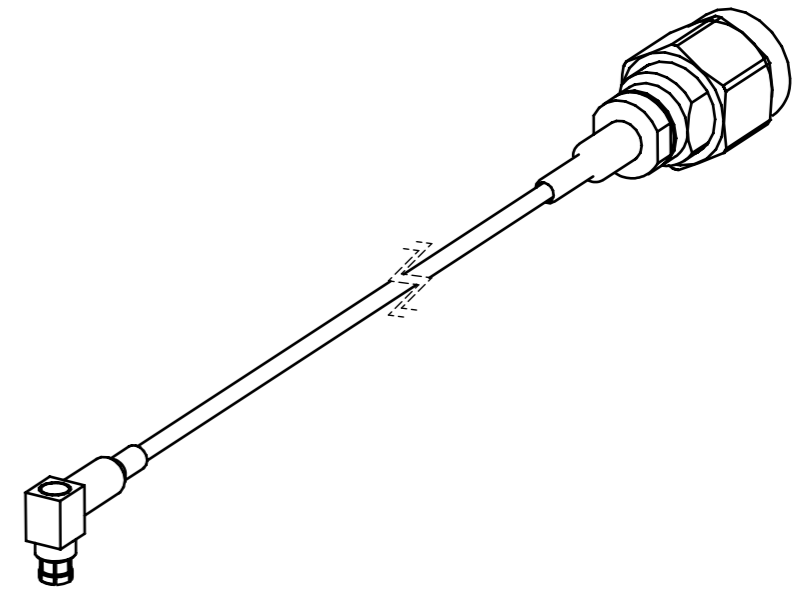
| | | | | | | | | |
|--------------------|---------------|------------------|-----------|--|------------------|----------------------|--------------|-----------|
| ANGLE | $\pm 2^\circ$ | 6 OVER 30 MAX. | ± 0.3 | PROJECTION | SERIES No. R2 | CUSTOMER COPY | | |
| 6 MAX. | ± 0.2 | 30 OVER 120 MAX. | ± 0.5 | | | | | |
| GENERAL TOLERANCE. | | | | TITLE MHF [®] 7S RECEPTACLE | SCALE 5:1 | UNIT I-PEX | | |
| DWG. | DATE | | | | | | | |
| CHK. | | | | | | | | |
| APP. | | | | | | | | |
| | | | | DWG. No. | 20981 | SIZE A3 | SHEET 4/5 | REV. 1 |



MHF 7 (S) RECEPTACLE SMA ADAPTER
PART NO. 91256-0001



MHF 7 (S) RECEPTACLE HIGH CYCLE N30 SMPM ADAPTER
PART NO. 91145-0001



MHF SERIES N30 SMPM TO SMA ADAPTER CABLE
PART NO. 91197-0300

* 91145-0001 AND 91197-0300 SHOULD BE USED TOGETHER.

| | | | | | | | | | |
|--------------------|------|------------------|------|-----------------------|------------------|---------------|--------------|------|--|
| ANGLE | ±2° | 6 OVER 30 MAX. | ±0.3 | PROJECTION ⊕ | SERIES No. R2 | CUSTOMER COPY | | | |
| 6 MAX. | ±0.2 | 30 OVER 120 MAX. | ±0.5 | | | | | | |
| GENERAL TOLERANCE. | | | | TITLE | | SCALE | I-PEX | | |
| DWG. | DATE | | | MHF® 7S RECEPTACLE | | 2:1 | | | |
| CHK. | | | | | | UNIT | | | |
| APP. | | | | DWG. No. 20981 | | mm | | | |
| | | | | | | SIZE | SHEET | REV. | |
| | | | | | | A3 | 5/5 | 1 | |