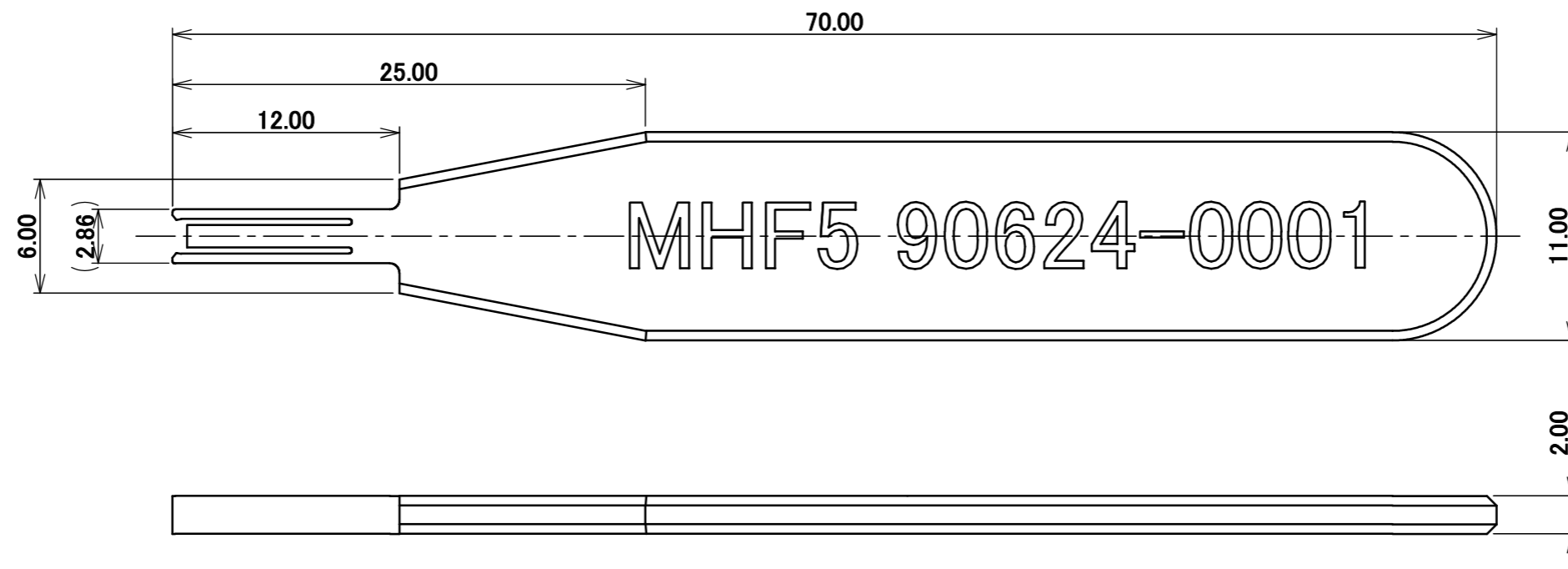
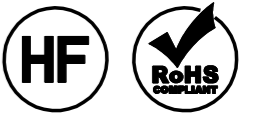


Recommended P/N

90624-0001

PART NO.

90624-0001



NOTES

- 1.MATERIAL  
STAINLESS STEEL
- 2.APPLICABLE CONNECTOR PART No.  
20567-\*0\*R-81\*  
20615-00\*R-48  
20668-001R-13  
20669-001R-81  
20711-001R-81  
20714-001R-81  
20839-001R-81

					ANGLE	±2°	6 OVER 30 MAX.	±0.3	PROJECTION 	SERIES No. R1	CUSTOMER COPY
					6 MAX.	±0.2	30 OVER 120 MAX.	±0.5			
					GENERAL TOLERANCE.				TITLE MHF® 5 MATING TOOL	SCALE	I-PEX
2	Z190536	K.I	2019/04/17	Y.H	DWG.	DATE				5:1	
1	Z140934	Y.H	2014/08/29	Tom	Y.Hashimoto	2013/05/29				UNIT	
0	Z13461	Y.H	2013/05/29	-	CHK.	DATE			mm		
REV.	ECN	BY	DATE	APP.	APP.	DATE			SIZE	SHEET 1/1	REV. 2
REVISION RECORD					T.Takano	2013/05/30	DWG. No. 90624		A3		