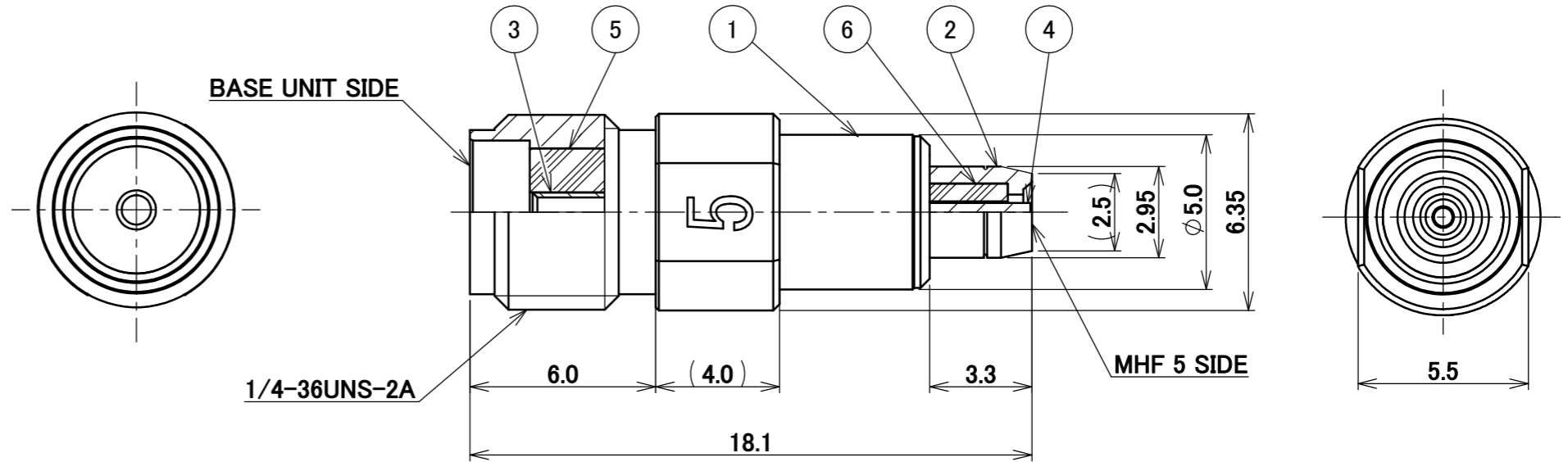
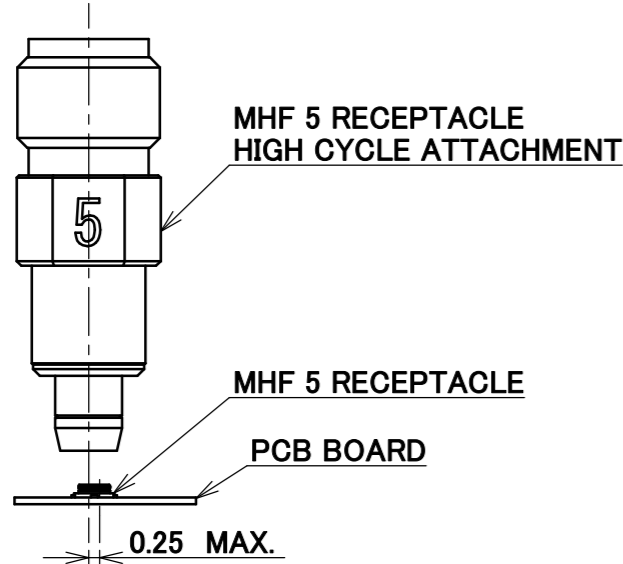


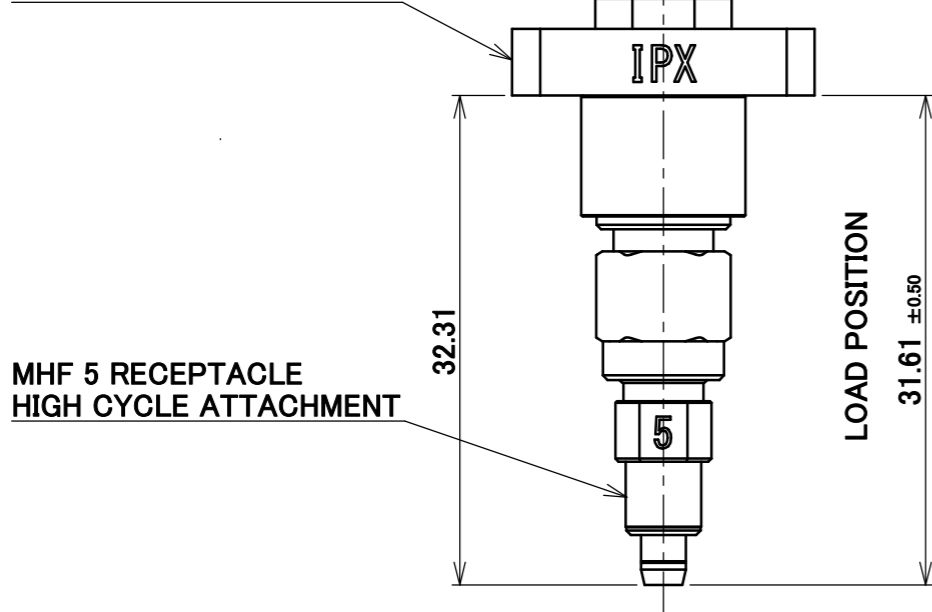
【AXIAL MISALIGNMENT DISTANCE】



【RECOMMENDED LOAD POSITION】

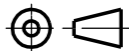
FLOATING AMOUNT X,Y ±0.1mm

MHF SERIES
HIGH CYCLE
SMA ADAPTER BASE UNIT



NO.	DESCRIPTION	MATERIAL	FINISH, REMARKS					
6	INSULATOR B	PTFE						
5	INSULATOR A	PTFE						
4	PIN CONTACT	BRASS	Au 1.0 μm MIN. OVER Ni 1.0 μm MIN.					
3	SOCKET CONTACT	BERYLIUM COPPER	Au 1.0 μm MIN. OVER Ni 1.0 μm MIN.					
2	MHF 5 SIDE SHELL	STAINLESS STEEL	Au 1.0 μm MIN. OVER Ni 1.0 μm MIN.					
1	SMA JACK SHELL	STAINLESS STEEL	PASSIVATION					
NO. DESCRIPTION MATERIAL FINISH, REMARKS								
		ANGLE ±2° 6 OVER 30 MAX. ±0.3	PROJECTION					
		6 MAX. ±0.2 30 OVER 120 MAX. ±0.5	⊕					
		GENERAL TOLERANCE.	SERIES No. R0					
3	Z190706 K.I 2019/05/27 Y.H		TITLE MHF® 5 RECEPTACLE HIGH CYCLE ATTACHMENT					
2	Z180186 Y.I 2018/02/16 TAK	DWG. S.Hamada DATE 2014/02/13						
1	Z140320 S.H 2014/04/08 Tom	CHK. K.Yotsutani DATE 2014/02/13						
0	Z140141 S.H 2014/02/13	APP. T.Takano DATE 2014/02/13						
REV.	ECN	BY	DATE	APP.	DWG. No.	90690	SCALE	I-PEX
							5:1	
REVISION RECORD							UNIT	SHEET 1/2 REV. 3
							mm	
							SIZE	
							A3	

ITEMS	SPECIFICATION
RECOMMENDED APPLICABLE CONNECTOR PART No.	MHF 5 SIDE : MHF 5 RECEPTACLE(P/N : 20566-001E-**) BASE UNIT SIDE : MHF SERIES HIGH CYCLE SMA ADAPTER BASE UNIT (P/N : 90684-0001)
RATING FREQUENCY	DC~6 GHz
OPERATING TEMPERATURE	233~358 K (-30°C~+70°C)
VSWR	1.2 MAX. (DC~6GHz)
INSULATION RESISTANCE	500 Mohm MIN.
DIELECTRIC WITHSTANDING VOLTAGE	AC 300V 1min
DURABILITY	10,000CYCLES
PRODUCT SPECIFICATION	-
TEST REPORT	-
INSTRUCTION MANUAL	HIM-14021

ANGLE	±2°	6 OVER 30 MAX.	±0.3	PROJECTION 	SERIES No. R0	CUSTOMER COPY
6 MAX.	±0.2	30 OVER 120 MAX.	±0.5			
GENERAL TOLERANCE.				TITLE MHF® 5 RECEPTACLE HIGH CYCLE ATTACHMENT	SCALE 5:1	UNIT mm
DWG.	DATE					
CHK.	DATE					
APP.	DATE					
				DWG. No.	90690	SIZE A3
				SHEET 2/2		REV. 3