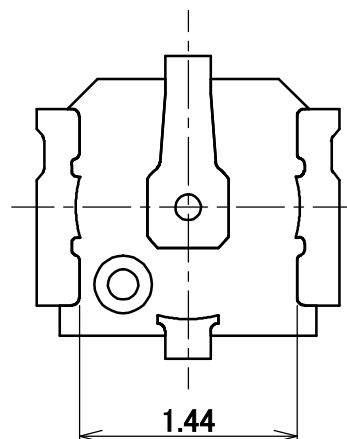
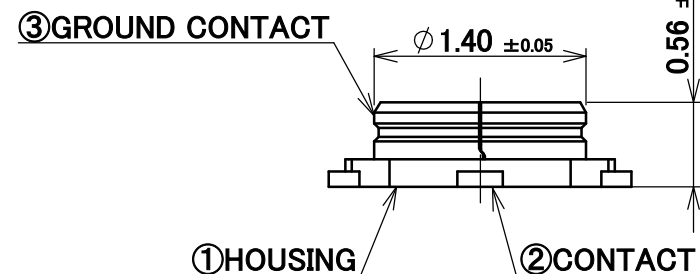
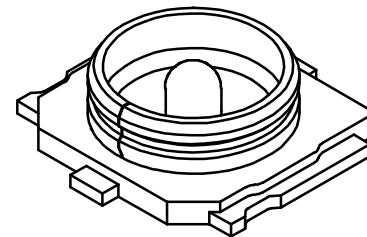
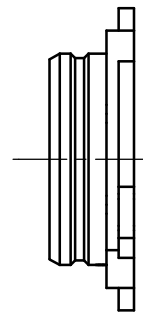
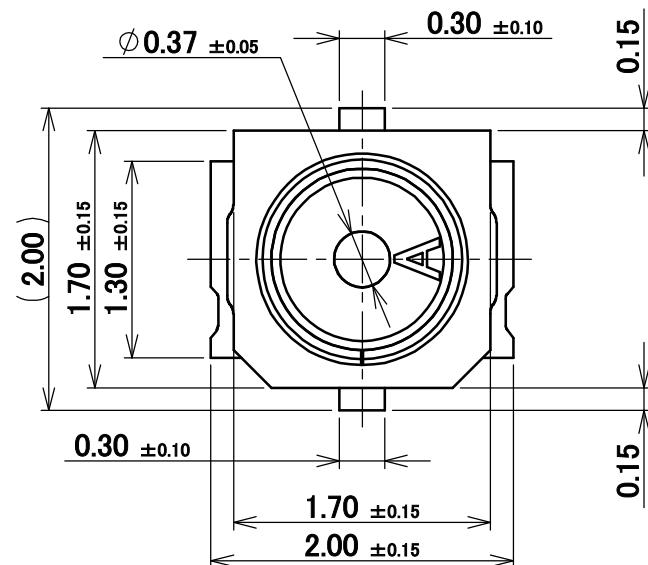
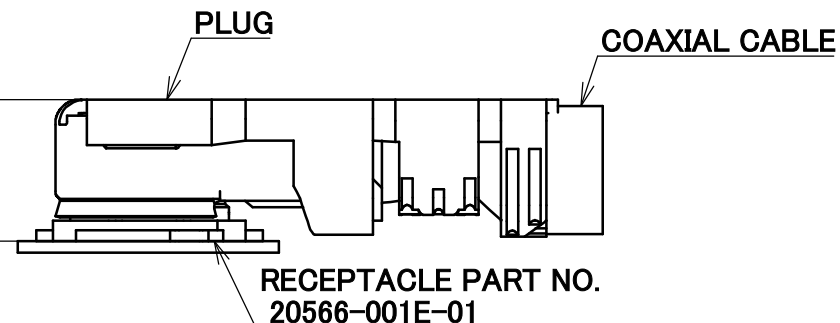


PART NO.
20566-001E-01



\*SEE BELOW.



\* 1.3 MAX. AT 20668-001R-13, 20714-001R-81  
 \* 1.0 MAX. AT 20711-001R-81

**MATING CONDITION**

**NOTES**

1. APPLICABLE CONNECTOR

- 20567-001R-81
- 20615-00\*R-48
- 20668-001R-13
- 20669-001R-81
- 20711-001R-81
- 20714-001R-81

2. COPLANARITY: 0.1mm MAX.

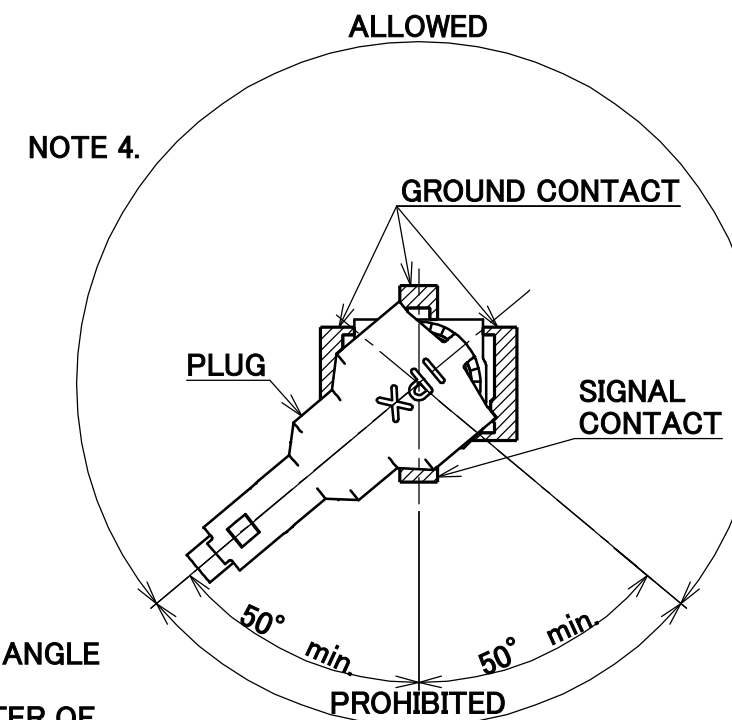
3. THIS IS "Pb-FREE" CONNECTOR.

4. PRECAUTIONS FOR CABLE POSITION

[PART NO. 20567-001R-81, 20615-00\*R-48]

THE PLUG SHALL NOT BE PLACED WITHIN 50 DEGREES ANGLE FROM CENTER OF THE SIGNAL CONTACT.

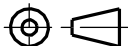
TILT THE PLUG AT LEAST 50 DEGREES FROM THE CENTER OF A SIGNAL CONTACT.

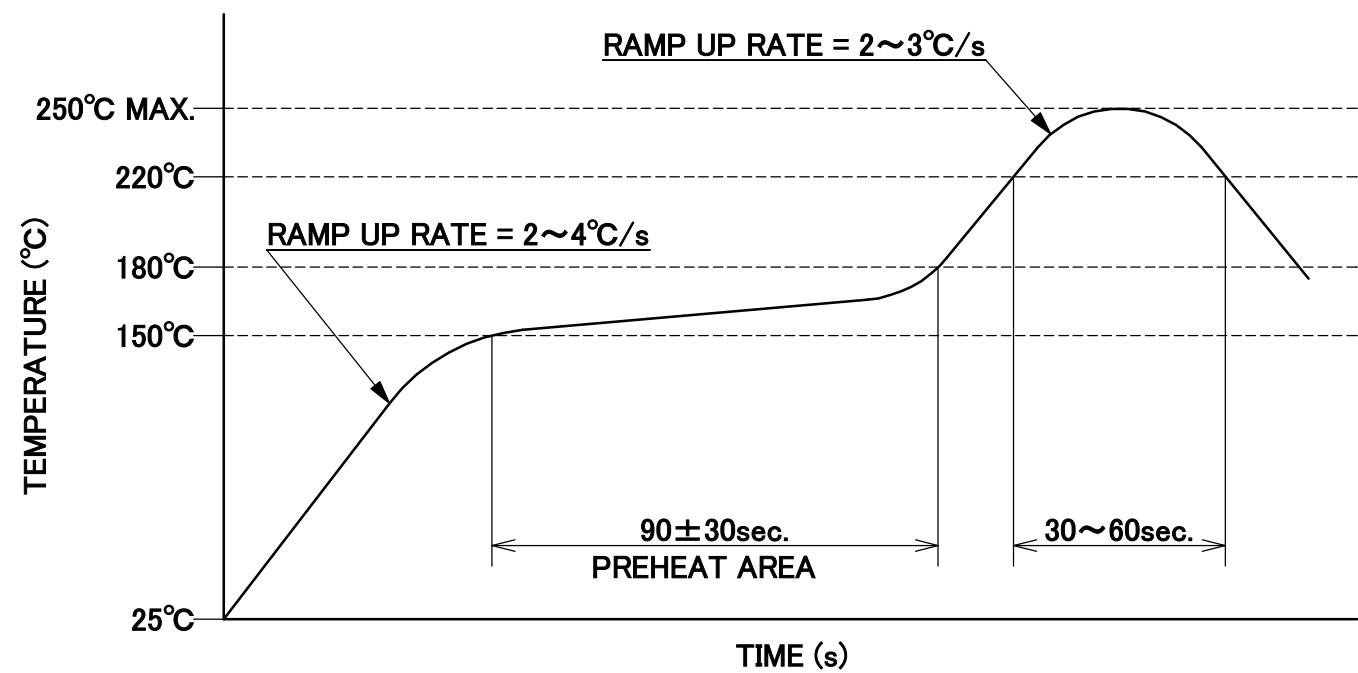
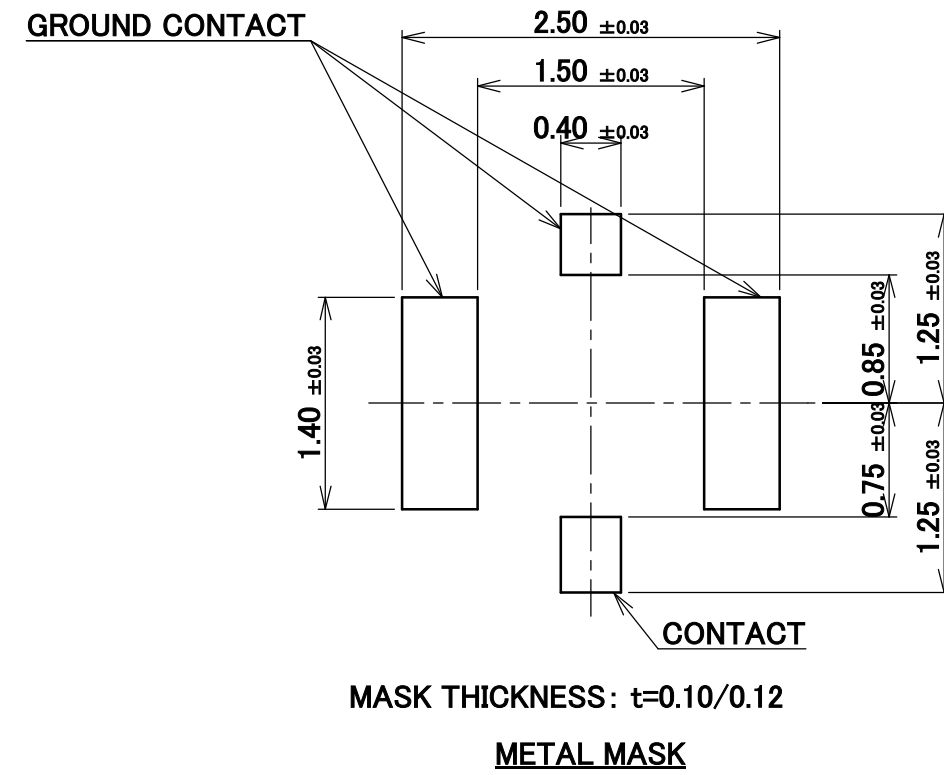
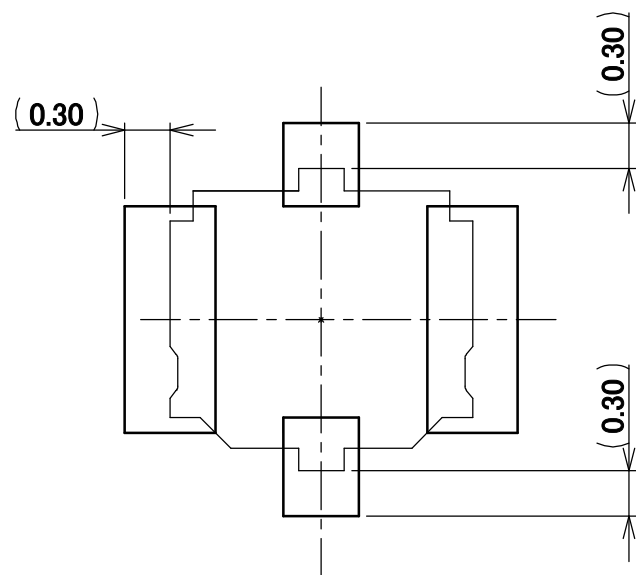
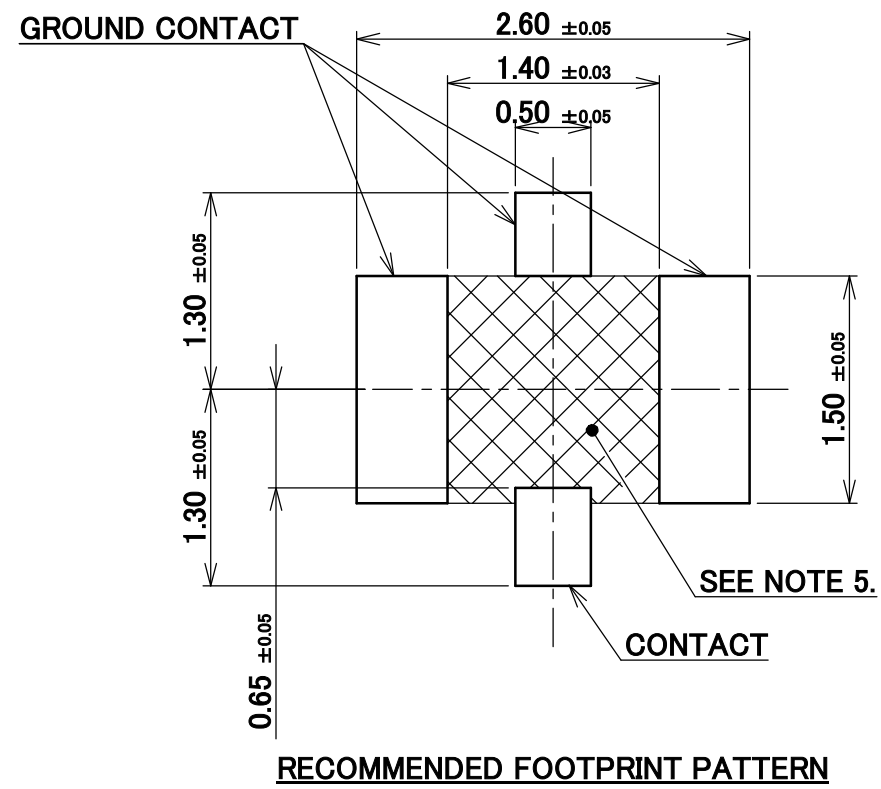


NO.	DESCRIPTION	MATERIAL	FINISH, REMARKS
3	GROUND CONTACT	PHOSPHOR BRONZE	ALL OVER Ni 1.00 μm MIN. CONTACT PART Au 0.01 μm MIN. UNDER PLATE Pd-Ni 0.02 μm MIN. SOLDERING PART Au 0.01 μm MIN. UNDER PLATE Pd-Ni 0.02 μm MIN.
2	CONTACT	BRASS	ALL OVER Ni 1.00 μm MIN. CONTACT PART Au 0.1 μm MIN. SOLDERING PART Au 0.03 μm MIN.
1	HOUSING	LCP	UL94V-0, BLACK

6	Z180766	M.N	2018/09/14	Ken	ANGLE	±2°	6 OVER 30 MAX.	±0.3	PROJECTION ⊕	SERIES No. R6	CUSTOMER COPY		
5	Z180428	M.N	2018/03/30	Ken	6 MAX.	±0.2	30 OVER 120 MAX.	±0.5					
4	Z150479	H.T	2015/05/25	Tom	GENERAL TOLERANCE.			TITLE MHF® 5 RECEPTACLE	SCALE	I-PEX			
3	Z141459	Y.H	2014/12/22	Tom	DWG.	H.Kon	DATE		2012/12/07		20:1		
2	Z140264	Y.H	2014/03/24	Tom	CHK.	K.Yotsutani	DATE		2012/12/07		UNIT	mm	
1	Z13585	Y.H	2013/06/25	Tom	APP.	T.Takano	DATE		2012/12/07		SIZE	A3	
REV.	ECN	BY	DATE	APP.	REVISION RECORD			DWG. No.	20566	SHEET	1/5	REV.	6

ITEMS	SPECIFICATION		
RECOMMENDED APPLICABLE CONNECTOR PART No.	20668-001R-13	20711-001R-81 (CABLE AWG#36 $\phi$ 0.81)	20714-001R-81
RATING VOLTAGE	60 V AC (R.M.S)		
RATING FREQUENCY	DC~12 GHz		
OPERATING TEMPERATURE	233~363 K (-40°C~+90°C)		
VSWR	1.3 MAX. AT DC~3 GHz, 1.4 MAX. AT 3~6 GHz, 1.5 MAX. AT 6~12 GHz		
MAIN CONTACT RESISTANCE	INITIAL: 20 mohm MAX. / AFTER TEST: $\Delta$ R 20 mohm MAX.		
GROUND CONTACT RESISTANCE	INITIAL: 20 mohm MAX. / AFTER TEST: $\Delta$ R 100 mohm MAX.		
INSULATION RESISTANCE	INITIAL: 500 Mohm MIN. / AFTER TEST: 100 Mohm MIN.		
DIELECTRIC WITHSTANDING VOLTAGE	200 V AC, 1 MINUTE		
DURABILITY	30 CYCLES		
UNMATING FORCE (INITIAL / AFTER TEST)	INITIAL: 5 N MIN. AFTER TEST: 3 N MIN.	INITIAL: 4 N MIN. AFTER TEST: 2 N MIN.	INITIAL: 5 N MIN. AFTER TEST: 3 N MIN.
PRODUCT SPECIFICATION	PRS-2192	PRS-2108	PRS-2236
TEST REPORT	TR-16003	TR-15062	TR-16049
PACKING STANDARD	PST-12036		
INSTRUCTION MANUAL	HIM-16014	HIM-16013	HIM-16014

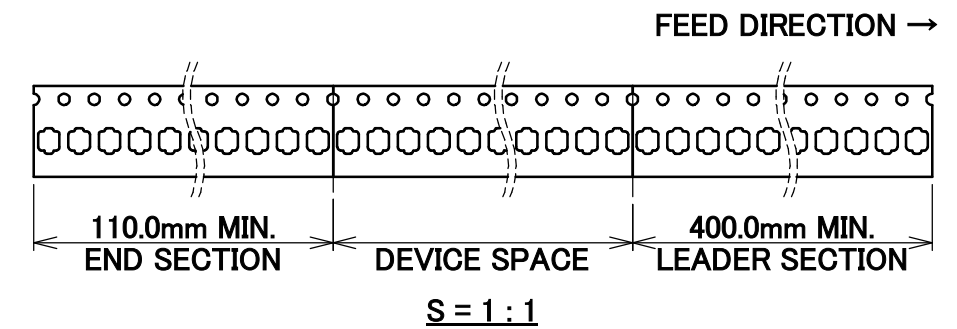
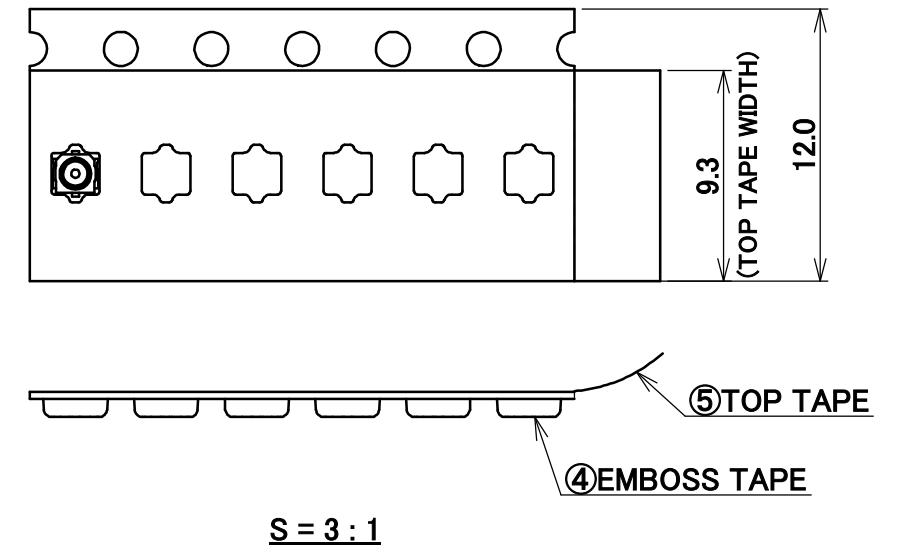
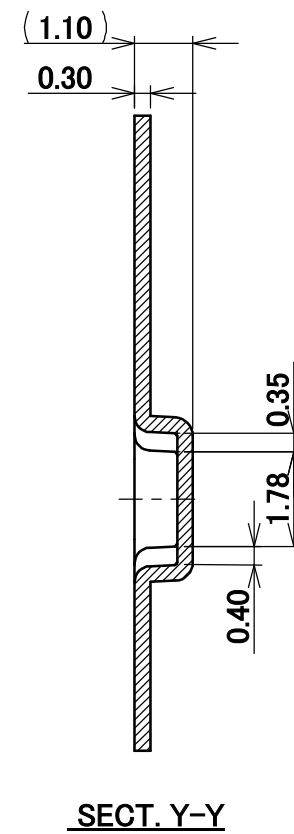
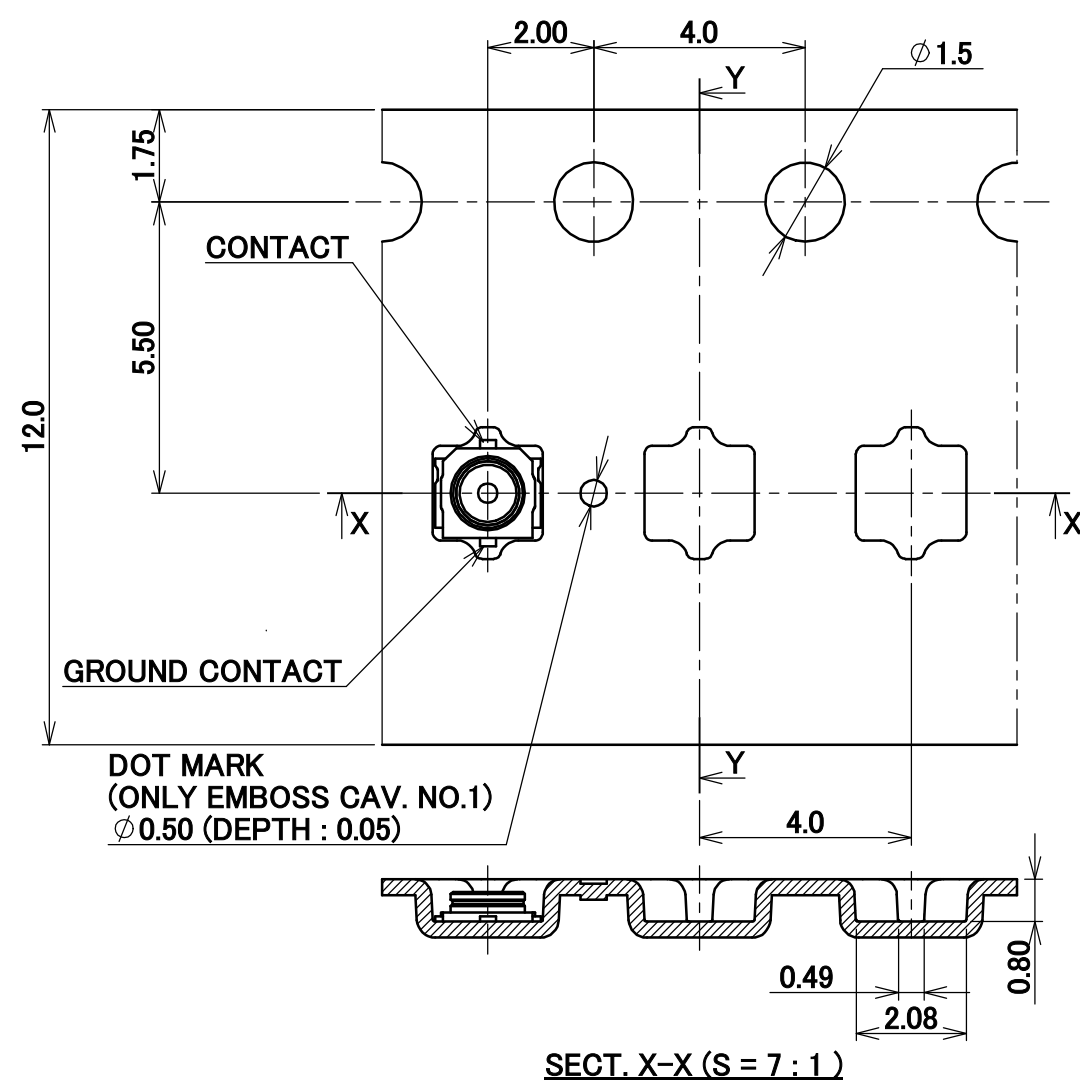
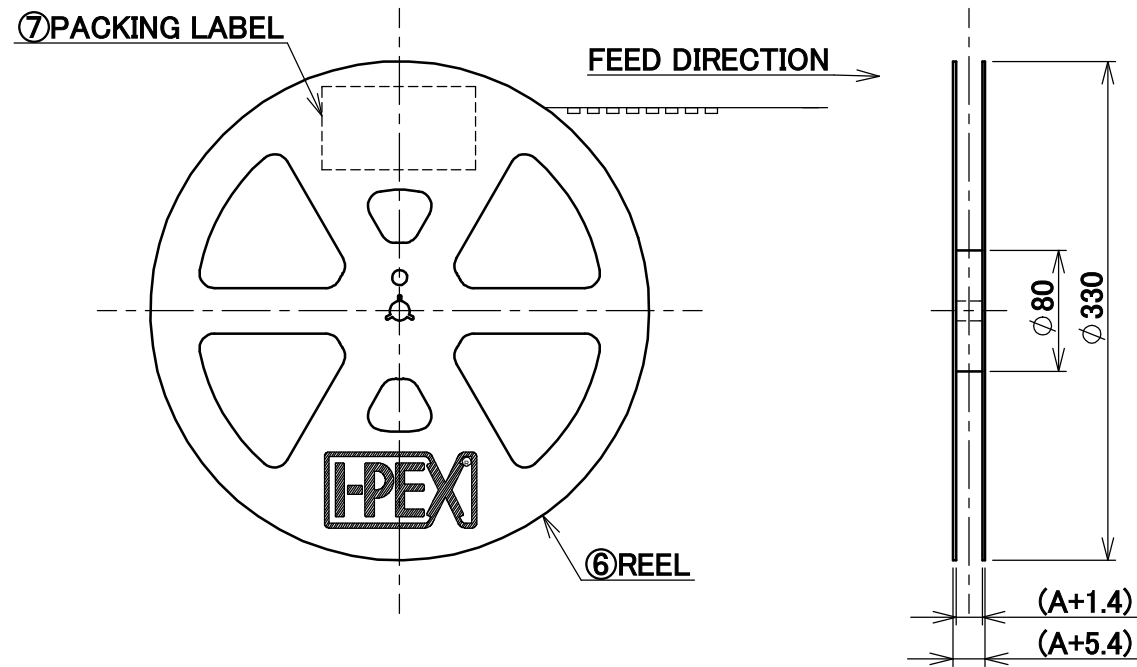
ANGLE	$\pm 2^\circ$	6 OVER 30 MAX.	$\pm 0.3$	PROJECTION 	SERIES No. <b>R6</b>	CUSTOMER COPY	
	6 MAX.	$\pm 0.2$	30 OVER 120 MAX.				
GENERAL TOLERANCE.				TITLE <b>MHF<sup>®</sup> 5 RECEPTACLE</b>	SCALE -	<b>I-PEX</b>	
DWG.	DATE						
CHK.	DATE						
APP.	DATE						
				DWG. No. <b>20566</b>	SIZE <b>A3</b>	SHEET <b>2/5</b>	REV. <b>6</b>



NOTES.  
5. CUT OUT PROHIBITION AREA

ANGLE	$\pm 2^\circ$	6 OVER 30 MAX.	$\pm 0.3$	PROJECTION	SERIES No.	CUSTOMER COPY
					R6	
				TITLE		SCALE
DWG.	DATE	GENERAL TOLERANCE.		MHF <sup>®</sup> 5 RECEPTACLE		20:1
CHK.	DATE			DWG. No.		UNIT
APP.	DATE			20566		mm
						SIZE
						A3
						SHEET
						3/5
						REV.
						6

PART NO.	A	QTY. PER EMBOSS REEL (PIECES / REEL)	QTY. PER PACKING CARTON (REELS / CARTON)
20566-001E-01	12.0	10,000 / REEL	9 REELS / CARTON = 90,000 PIECES



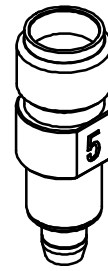
- NOTES.  
6. TAPING SPECIFICATION FOLLOWS JIS C 0806 (IEC 60286-3).  
7. MAKE EMPTY SECTION OF LEADER AND END ON EACH END OF THE TAPE.  
8. TOP TAPE SHALL NOT STICK OUT FROM EMBOSS TAPE.  
9. TOP TAPE SHALL NOT COVER FEED HOLE.

NO.	DESCRIPTION	MATERIAL	FINISH, REMARKS
7	PACKING LABEL	-	-
6	REEL	PS	HEAT ACTIVATED, ANTI-STATIC TYPE, WHITE
5	TOP TAPE	PET t=0.062	ANTI-STATIC TYPE or CONDUCTIVE
4	EMBOSS TAPE	PS t=0.3	-

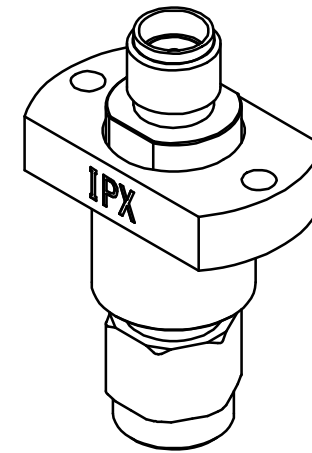
ANGLE	±2°	6 OVER 30 MAX.	±0.3	PROJECTION	SERIES No.	CUSTOMER COPY	
6 MAX.	±0.2	30 OVER 120 MAX.	±0.5	⊕	R6	SCALE	I-PEX
GENERAL TOLERANCE.				TITLE		UNIT	
DWG.	DATE			MHF® 5 RECEPTACLE		mm	
CHK.	DATE					SIZE	
APP.	DATE			DWG. No.	20566	A3	SHEET 4/5 REV. 6



**SMA ADAPTOR FOR MHF 5 PLUG**  
**PART NO. 90543-0001**

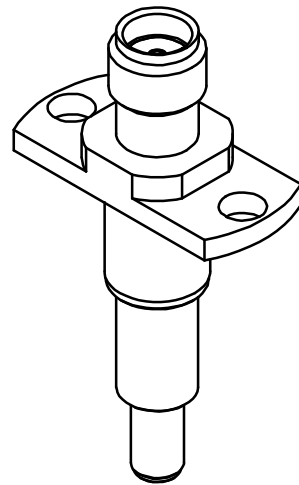


**MHF 5 HIGH CYCLE PROBE**  
**PART NO. 90690-0001**

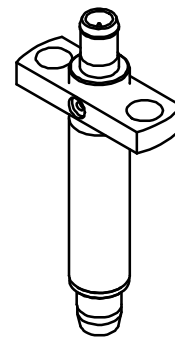


**MHF 5 HIGH CYC ADAP BASE UNIT**  
**PART NO. 90684-0001**

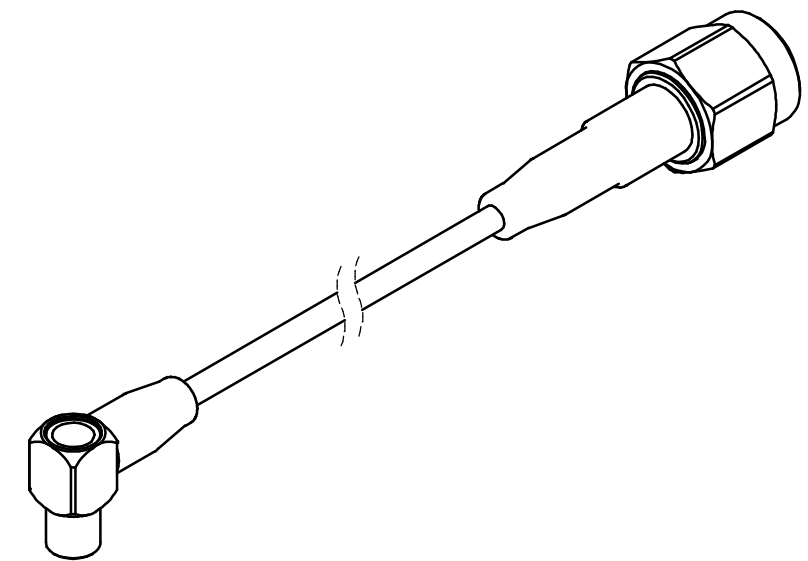
\* 90690-0001 AND 90684-0001 SHOULD BE USED TOGETHER.



**MHF 5 HIGH CYCLE ADAPTOR**  
**PART NO. 90793-0001**



**MHF 5 4.5MM HIGH CYCLE TEST PROBE LONG TYPE**  
**PART NO. 90847-0001**



**4.5MM HIGH CYCLE TEST PROBE CABLE ASS'Y**  
**PART NO. 90577-\*\*\*\***

\* 90847-0001 AND 90577-\*\*\*\* SHOULD BE USED TOGETHER.

ANGLE	±2°	6 OVER 30 MAX.	±0.3	PROJECTION 	SERIES No. <b>R6</b>	<b>CUSTOMER COPY</b>		
6 MAX.	±0.2	30 OVER 120 MAX.	±0.5					
GENERAL TOLERANCE.				TITLE <b>MHF® 5  RECEPTACLE</b>	SCALE <b>2:1</b>	<b>I-PEX</b>		
DWG.	DATE							UNIT <b>mm</b>
CHK.	DATE							SIZE <b>A3</b>
APP.	DATE							DWG. No. <b>20566</b>
					SHEET	5/5	REV. 6	