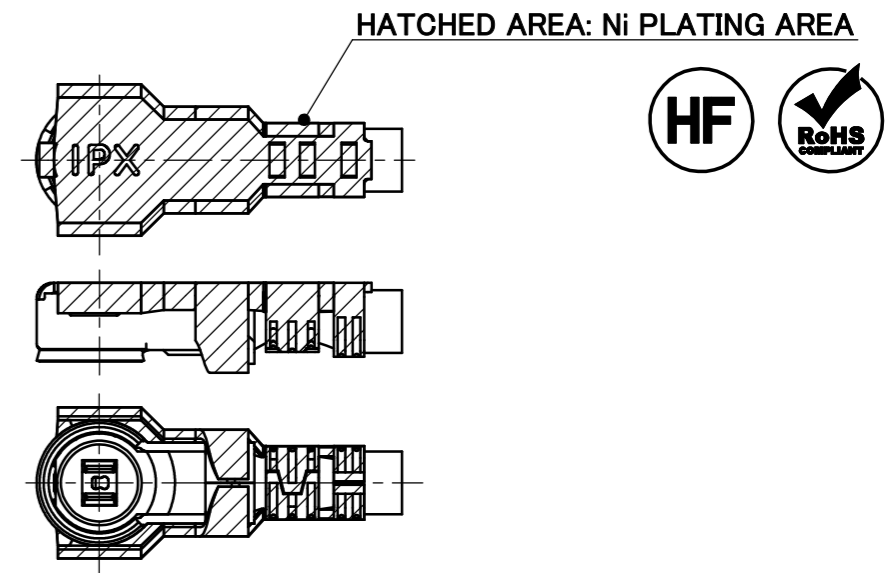
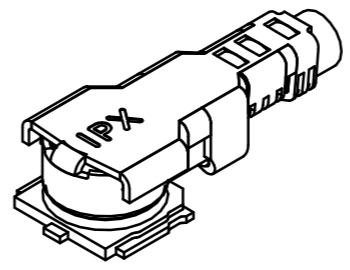
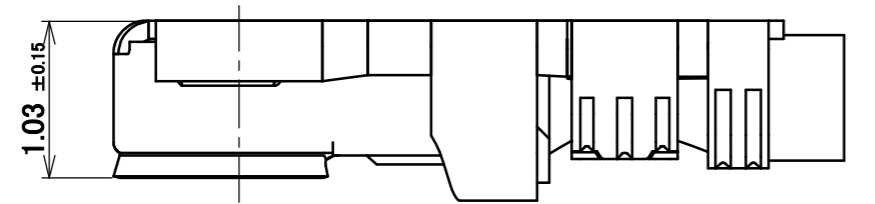
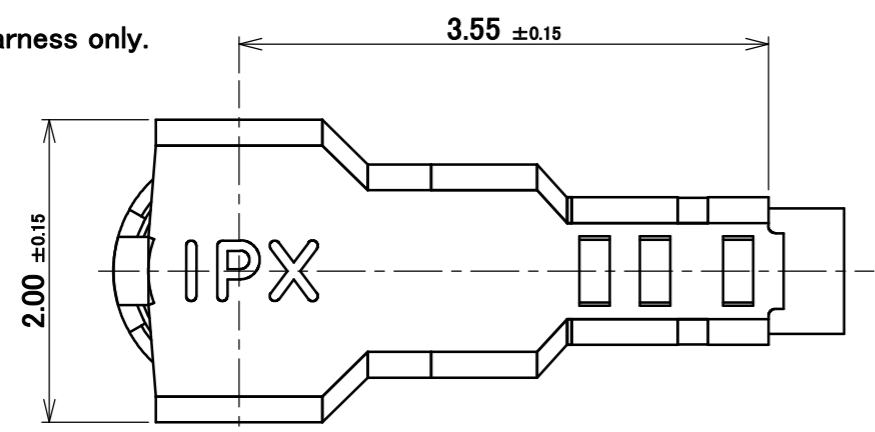


PART No.
20714-001R-81

Offered as harness only.

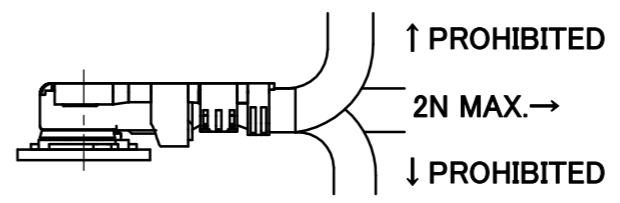


NOTES.

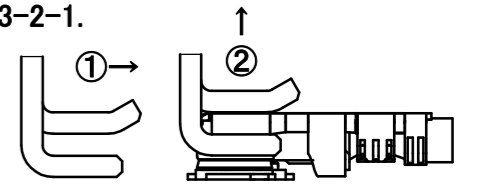
- 1. APPLICABLE CONNECTOR: 20566-001E-01
- 2. PERMISSIBLE LOAD OF CABLE AT MATING
- 3. MATING AND UNMATING INSTRUCTION

- 3-1. MATING  
MATE THE CONNECTOR VERTICALLY AS MUCH AS POSSIBLE, ADJUSTING THE MATING AXIS OF PLUG AND RECEPTACLE. DO NOT SLANT MATE.
- 3-2. UNMATING
- 3-2-1. IN CASE OF UNMATING BY PULLING TOOL (PART NO. 90612-0001)  
USE THE PULLING TOOL AS THE FOLLOWING DRAWING, AND PULL PLUG TO VERTICAL DIRECTION AS DIRECTLY AS POSSIBLE.
- 3-2-2. IN CASE OF UNMATING DIRECTLY BY HAND  
CATCH THE CATCHING AREA OF PLUG, AND PULL PLUG TO VERTICAL DIRECTION AS DIRECTLY AS POSSIBLE.

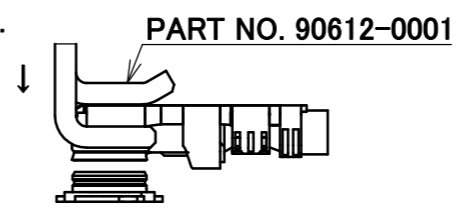
NOTE 2.



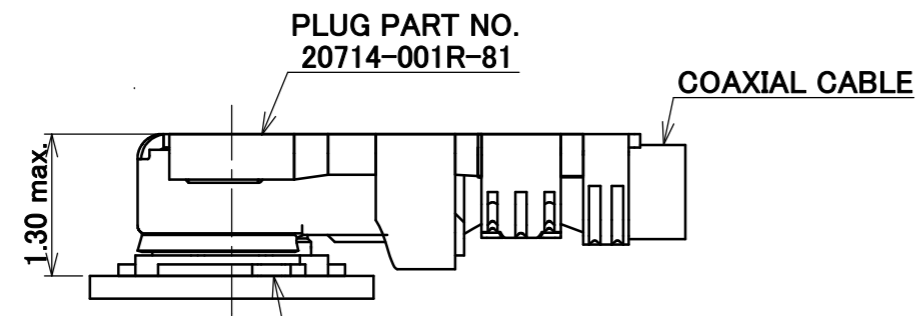
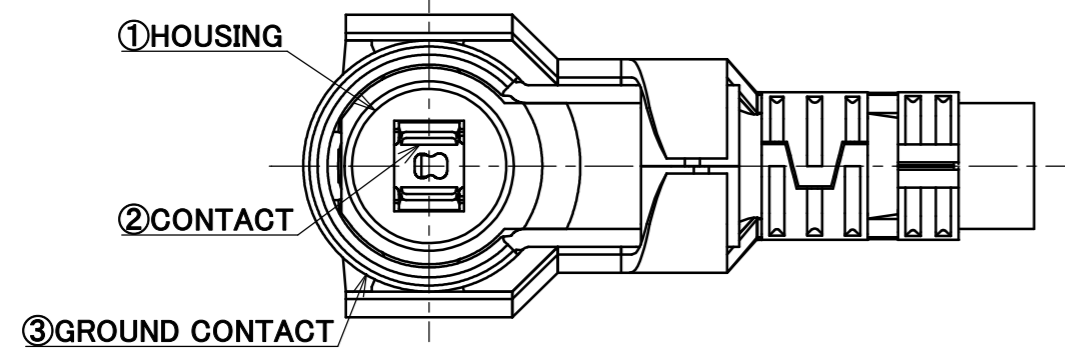
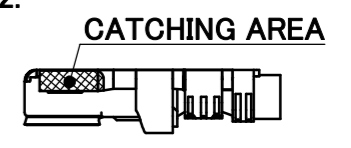
NOTE 3-2-1.



NOTE 3-1.



NOTE 3-2-2.

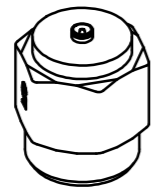


NO.	DESCRIPTION	MATERIAL	FINISH , REMARKS
3	GROUND CONTACT	PHOSPHOR BRONZE	ALL OVER Ni 1.00 μ m MIN. CONTACT PART Au 0.05 μ m MIN. [Ni PLATING AREA] Ni ONLY
2	CONTACT	PHOSPHOR BRONZE	ALL OVER Ni 1.00 μ m MIN. CONTACT PART Au 0.05 μ m MIN.
1	HOUSING	LCP	UL94V-0, BLACK (GF 30%)

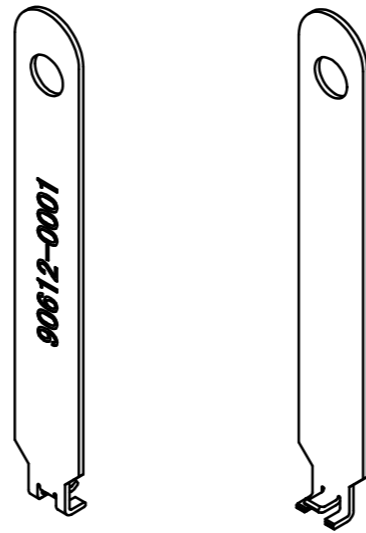
REV.	ECN	BY	DATE	APP.	ANGLE	PROJECTION	SERIES No.	CUSTOMER COPY
REVISION RECORD					±2°	6 OVER 30 MAX. ±0.3	R1	I-PEX
					6 MAX. ±0.2	30 OVER 120 MAX. ±0.5		
3	Z190991	K.T	2019/07/30	Y.S	GENERAL TOLERANCE.		TITLE	
2	Z181728	M.N	2018/12/27	Ken	DWG. M.Nomoto	DATE 2016/04/28	MHF® 5L PLUG Ni TOP (0.81)	
1	Z180759	M.N	2018/09/14	Ken	CHK. Y.Hashimoto	DATE 2016/05/03		
0	Z160462	M.N	2016/04/28		APP. K.Narita	DATE 2016/05/03	DWG. No. 20714	
							SCALE 20:1	
							UNIT mm	
							SIZE A3	
							SHEET 1/3 REV. 3	

ITEMS	SPECIFICATION
RECOMMENDED APPLICABLE CONNECTOR PART No.	20566-001E-01
RATING VOLTAGE	60 V AC (R.M.S)
RATING FREQUENCY	DC~12 GHz
OPERATING TEMPERATURE	233~363 K (-40°C~+90°C)
VSWR	1.3 MAX. AT DC~3 GHz, 1.4 MAX. AT 3~6 GHz, 1.5 MAX. AT 6~12 GHz
MAIN CONTACT RESISTANCE	INITIAL: 20 mohm MAX. / AFTER TEST: $\Delta$ R 20 mohm MAX.
GROUND CONTACT RESISTANCE	INITIAL: 20 mohm MAX. / AFTER TEST: $\Delta$ R 100 mohm MAX.
INSULATION RESISTANCE	INITIAL: 500 Mohm MIN. / AFTER TEST: 100 Mohm MIN.
DIELECTRIC WITHSTANDING VOLTAGE	200 V AC, 1 MINUTE
DURABILITY	30 CYCLES
UNMATING FORCE (INITIAL / AFTER TEST)	INITIAL: 5 N MIN. /AFTER TEST: 3 N MIN.
CRIMP STRENGTH	10 N MIN.
PRODUCT SPECIFICATION	PRS-2236
TEST REPORT	TR-16049
INSTRUCTION MANUAL	HIM-16014
APPEARANCE CRITERIA No.	QLS-A***

ANGLE	$\pm 2^\circ$	6 OVER 30 MAX.	$\pm 0.3$	PROJECTION 	SERIES No. <b>R1</b>	CUSTOMER COPY	
6 MAX.	$\pm 0.2$	30 OVER 120 MAX.	$\pm 0.5$				
GENERAL TOLERANCE.				TITLE <b>MHF<sup>®</sup> 5L PLUG Ni TOP (0.81)</b>	SCALE -	<b>I-PEX</b>	
DWG.	DATE						
CHK.	DATE						
APP.	DATE						
				DWG. No.	<b>20714</b>	SIZE <b>A3</b>	SHEET <b>2/3</b> REV. <b>3</b>

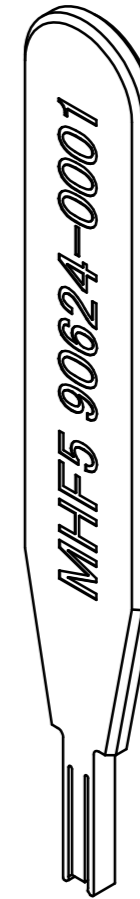


SMA ADAPTOR FOR MHF 5 PLUG  
PART NO. 90543-0001



FRONT SIDE      BACK SIDE

MHF 5 PUSHING AND PULLING TOOL  
PART NO. 90612-0001



MHF 5 PUSHING TOOL  
PART NO. 90624-0001

ANGLE	±2°	6 OVER 30 MAX.	±0.3	PROJECTION 	SERIES No. R1	CUSTOMER COPY		
6 MAX.	±0.2	30 OVER 120 MAX.	±0.5					
GENERAL TOLERANCE.				TITLE MHF® 5L PLUG Ni TOP (0.81)	SCALE 2:1	UNIT mm I-PEX		
DWG.	DATE							
CHK.	DATE							
APP.	DATE							
				DWG. No.	20714	SIZE A3	SHEET 3/3	REV. 3