

PART No.

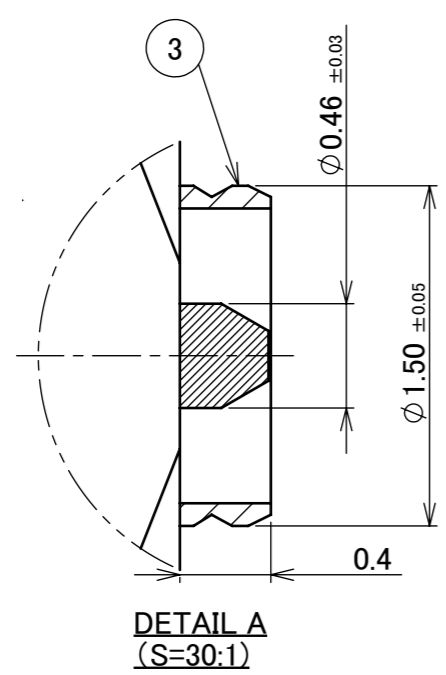
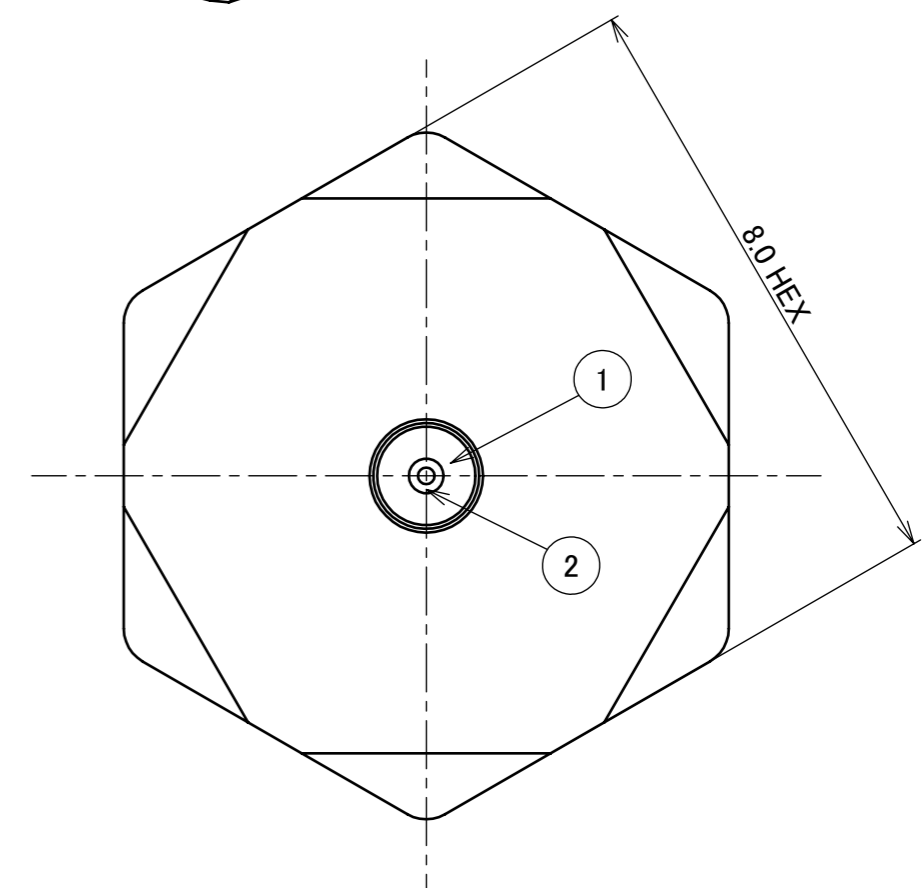
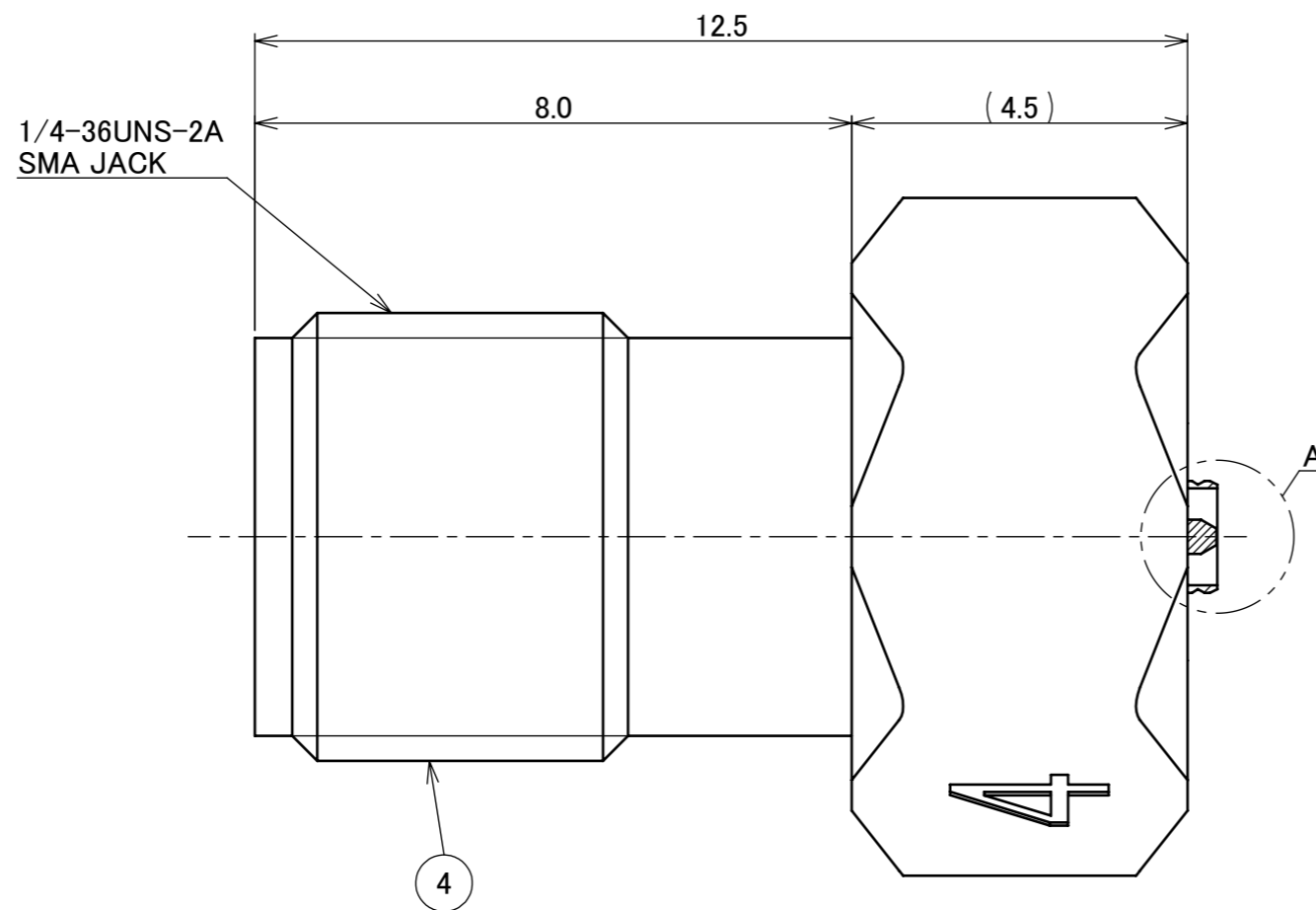
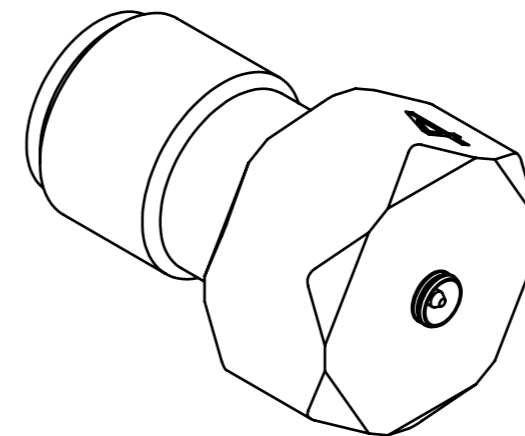
90449-001



Halogen Free



RoHS Compliant



4	SHELL-B	STAINLESS STEEL	PASSIVATION			
3	SHELL-A	STAINLESS STEEL	Au 0.3 μm MIN. OVER Ni 1.0 μm MIN.			
2	CONTACT	BERYLLIUM COPPER	Au 1.0 μm MIN. OVER Ni 1.0 μm MIN.			
1	INSULATOR	PTFE				
NO.	DESCRIPTION	MATERIAL	FINISH, REMARKS			
11	Z220687 Y.I 2022/06/17 Y.H	ANGLE ±2° 6 OVER 30 MAX. ±0.3	PROJECTION SERIES No. R1 TITLE MHF® 4(4L) SMA ADAPTER SCALE 10:1 UNIT mm SIZE A3 SHEET 1/4 REV. 11 CUSTOMER COPY I-PEX			
10	Z190666 K.I 2019/05/20 Y.H	6 MAX. ±0.2 30 OVER 120 MAX. ±0.5				
9	Z190237 K.M 2019/02/21 Y.H	GENERAL TOLERANCE.				
8	Z171198 Y.I 2017/10/17 Ken	DWG. K.Oobayashi DATE 2007/10/24				
7	Z141353 S.H 2014/11/26 Tom	CHK.				
6	Z13079 A.F 2014/01/29 Tom	APP. E.Kawabe				
REV.	ECN	BY	DATE	APP.	DWG. No.	90449
REVISION RECORD						

PART No.

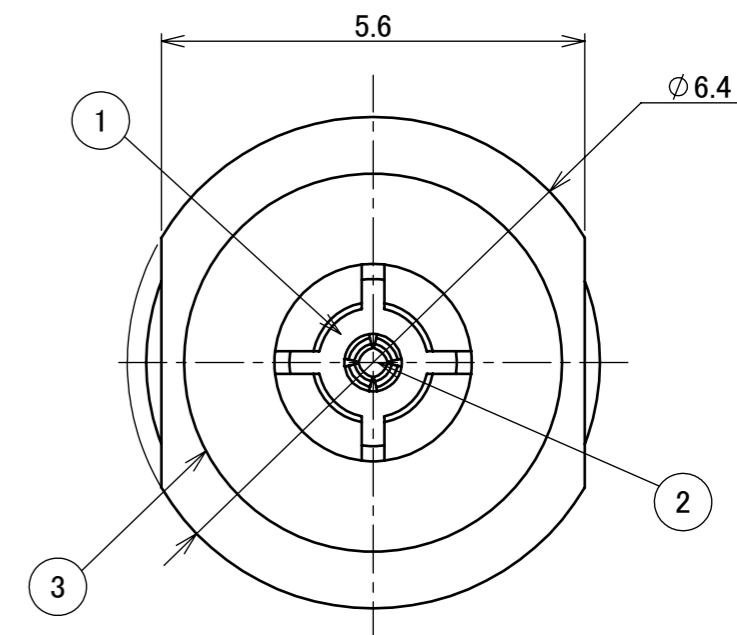
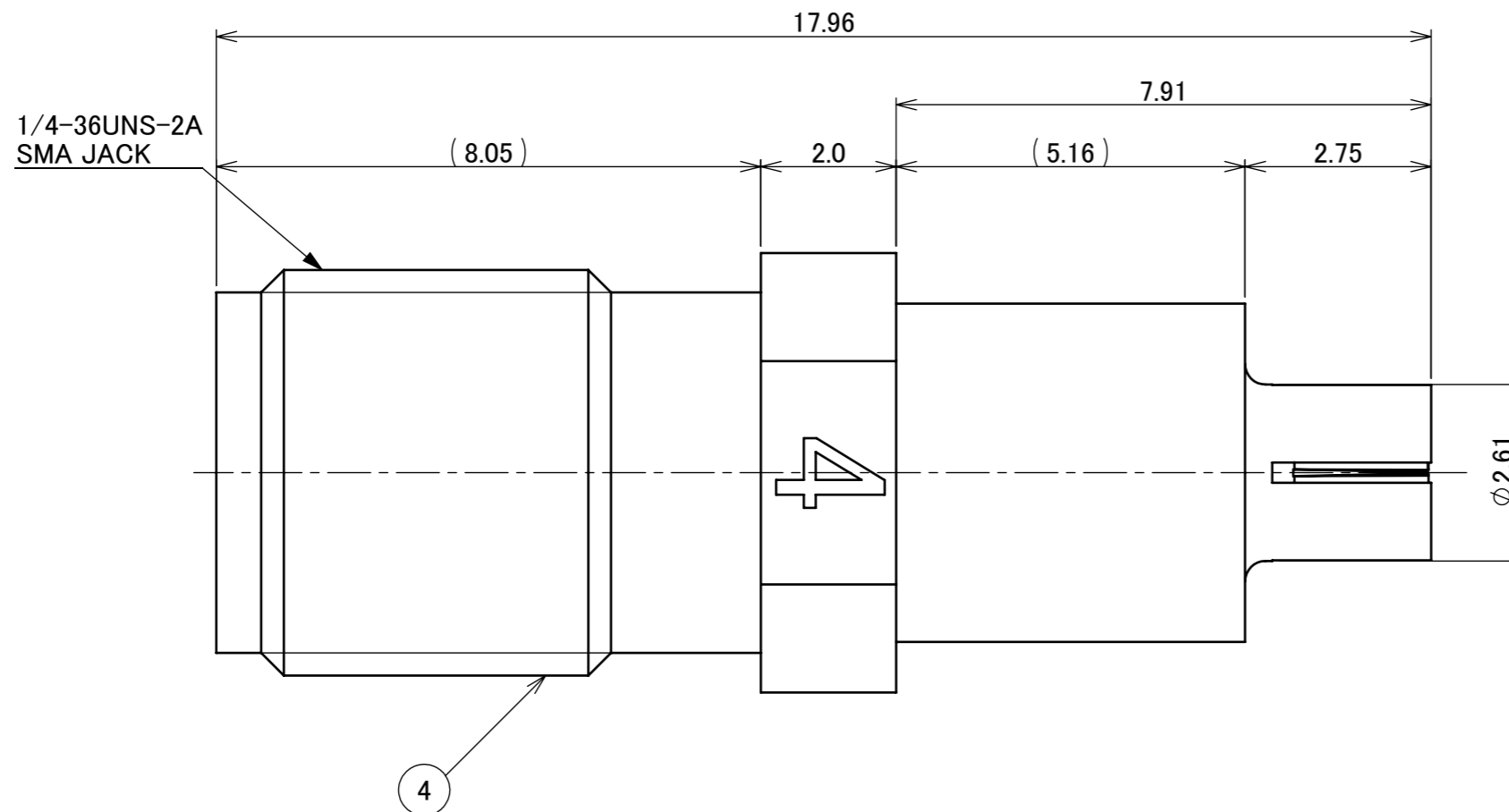
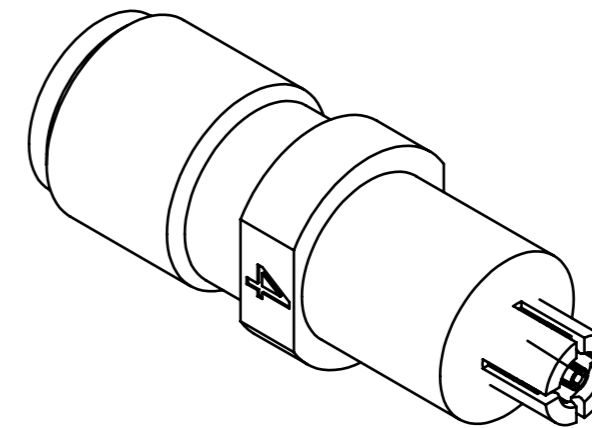
90449-002



Halogen Free



RoHS Compliant



4	SHELL	STAINLESS STEEL	PASSIVATION				
3	CONDUCTOR	BERYLLIUM COPPER	Au 0.3 μm MIN. OVER Ni 1.0 μm MIN.				
2	CONTACT	BERYLLIUM COPPER	Au 0.3 μm MIN. OVER Ni 1.0 μm MIN.				
1	INSULATOR	PTFE					
NO.	DESCRIPTION	MATERIAL	FINISH , REMARKS				
		ANGLE ±2° 6 OVER 30 MAX. ±0.3 6 MAX. ±0.2 30 OVER 120 MAX. ±0.5	PROJECTION SERIES No. R1 CUSTOMER COPY				
		GENERAL TOLERANCE. DATE	TITLE MHF® 4(4L) SMA ADAPTER SCALE 10:1 UNIT mm				
		DWG. DATE	SIZE A3 SHEET 2/4 REV. 11				
		CHK.					
REV.	ECN	BY	DATE	APP.	APP.	DWG. No. 90449	
REVISION RECORD							

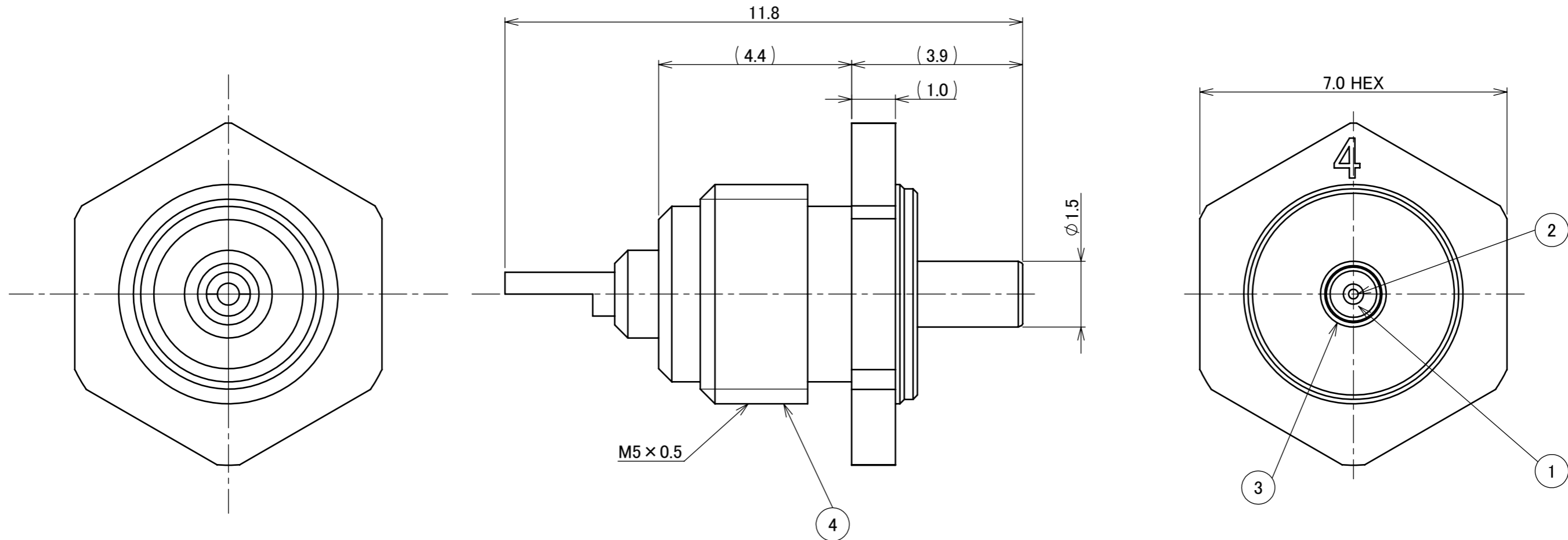
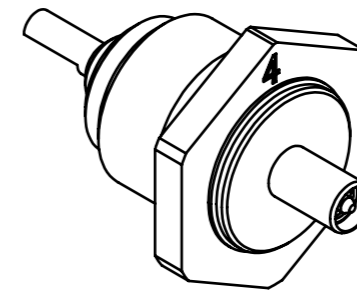
PART No.
90449-003-01



Halogen Free



RoHS Compliant



4	SHELL	STAINLESS STEEL	Au 0.3 μ m MIN. OVER Ni 1.0 μ m MIN.
3	CONDUCTOR	STAINLESS STEEL	Au 0.3 μ m MIN. OVER Ni 1.0 μ m MIN.
2	CONTACT	BRASS	Au 0.3 μ m MIN. OVER Ni 1.0 μ m MIN.
1	INSULATOR	PTFE	
NO.	DESCRIPTION	MATERIAL	FINISH , REMARKS

					ANGLE	$\pm 2^\circ$	6 OVER 30 MAX.	± 0.3	PROJECTION 	SERIES No. R1	CUSTOMER COPY		
						6 MAX.	± 0.2	30 OVER 120 MAX.				± 0.5	
					GENERAL TOLERANCE.				TITLE MHF® 4(4L) SMA ADAPTER	SCALE 10:1	UNIT mm	SHEET 3/4	REV. 11
					DWG.	DATE							
					CHK.								
REV.	ECN	BY	DATE	APP.	APP.	DWG. No.			90449	SIZE A3			
REVISION RECORD													

ITEMS	SPECIFICATION		
	90449-001	90449-002	90449-003-01
PRODUCT NAME			
APPLICABLE CONNECTOR PART No.	MHF 4 PLUG P/N: 20448-001R-** MHF 4L PLUG P/N: 20565-001R-** 20572-001R-08 20632-001R-37	MHF 4 RECEPTACLE P/N: 20449-001E MHF 4L RECEPTACLE P/N: 20579-001E-01	MHF 4 PLUG P/N: 20448-001R-** MHF 4L PLUG P/N: 20565-001R-** 20572-001R-08 20632-001R-37
RATING VOLTAGE	60 V AC (R.M.S)		
RATING FREQUENCY	DC~12GHz		-
OPERATING TEMPERATURE	233~358 K (-40°C~+85°C)		
VSWR (FOR 90449-001 AND 90449-002 PAIR)	1.30 MAX. AT 0.1~3GHz, 1.50 MAX. AT 3~6GHz, 1.60 MAX. AT 6~12GHz		-
INSULATION RESISTANCE	500 Mohm MIN.		
DIELECTRIC WITHSTANDING VOLTAGE	AC100V 1min		
DURABILITY	3,000 CYCLES	500 CYCLES	3,000 CYCLES
PRODUCT SPECIFICATION	PRS-2317		-
TEST REPORT	TR-16127		-
PACKING STANDARD	PST-12033		
INSTRUCTION MANUAL	HIM-22011		
APPEARANCE CRITERIA No.	QLS-A***		

ANGLE	±2°	6 OVER 30 MAX.	±0.3	PROJECTION 	SERIES No. R1	CUSTOMER COPY		
6 MAX.	±0.2	30 OVER 120 MAX.	±0.5					
GENERAL TOLERANCE.				TITLE MHF® 4(4L) SMA ADAPTER	SCALE -	I-PEX		
DWG.	DATE							
CHK.								
APP.								
				DWG. No.	90449	SIZE A3	SHEET 4/4	REV. 11