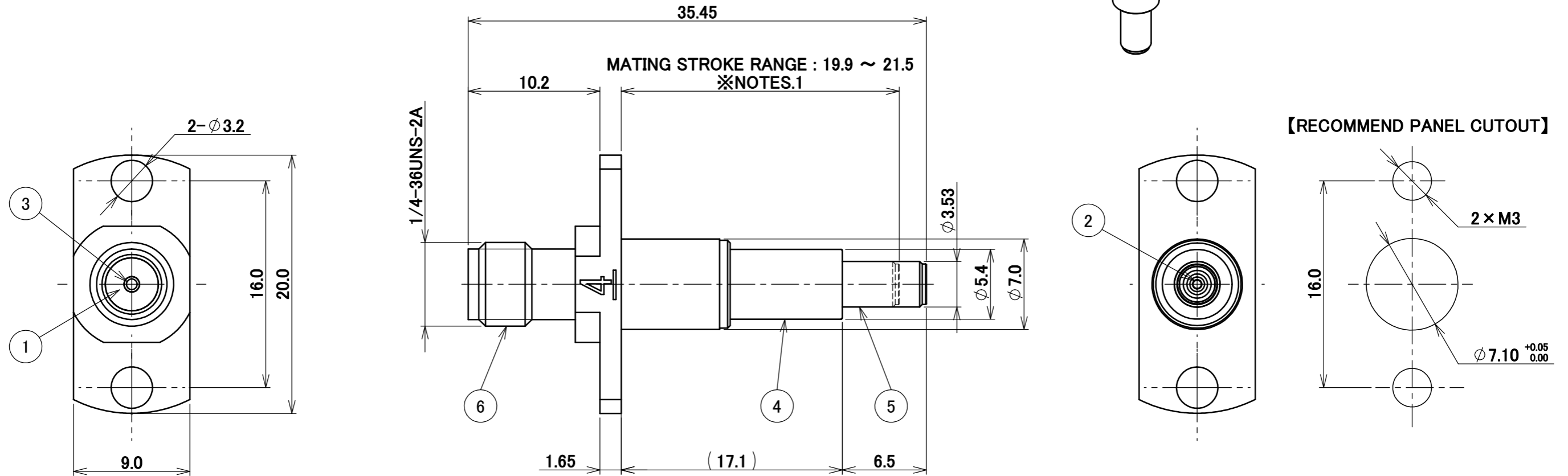
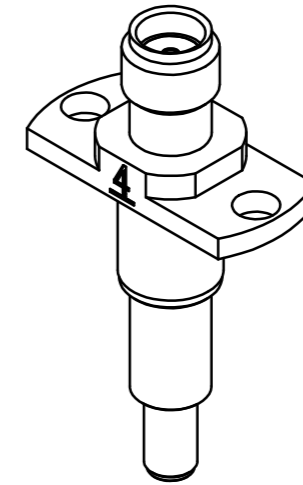
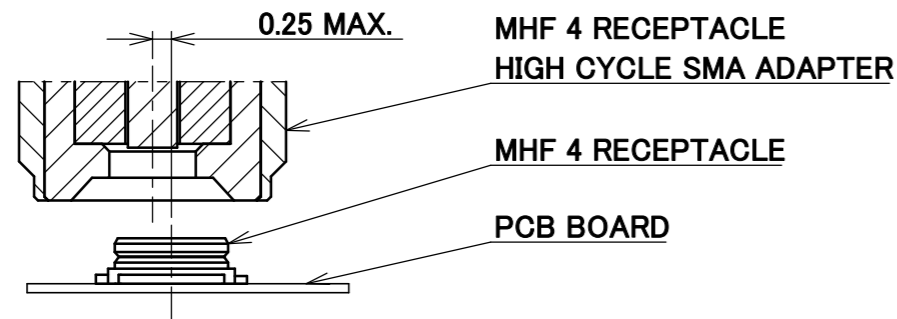


PART No.  
90698-0001



NOTES.

1. WHEN MATING ADAPTOR TO CONNECTOR, MATING STROKE LENGTH NEEDS TO BE IN RANGE OF 21.5 mm TO 19.9 mm FROM EDGE OF FLANGE (EDGE CLOSER TO TIP OF PROBE) TO TIP OF PROBE.
2. AXIAL MISALIGNMENT DISTANCE: 0.25 mm MAX.



NO.	DESCRIPTION	MATERIAL	FINISH , REMARKS
6	SHELL	STAINLESS STEEL	PASSIVATION
5	OUTER CONTACT B	STAINLESS STEEL	Au 1.0 μm MIN. OVER Ni 1.0 μm MIN.
4	OUTER CONTACT A	STAINLESS STEEL	PASSIVATION
3	PIN CONTACT B	BERYLLIUM COPPER	Au 1.0 μm MIN. OVER Ni 1.0 μm MIN.
2	PIN CONTACT A	BERYLLIUM COPPER	Au 1.0 μm MIN. OVER Ni 1.0 μm MIN.
1	INSULATOR	PTFE	

NO.	DESCRIPTION	MATERIAL	FINISH , REMARKS
5	Z190626	K.I 2019/05/08 Y.H	ANGLE ±2° 6 OVER 30 MAX. ±0.3
4	Z190239	K.M 2019/02/22 Y.H	6 MAX. ±0.2 30 OVER 120 MAX. ±0.5
3	Z180348	Y.I 2018/03/16 Ken	GENERAL TOLERANCE.
2	Z171198	Y.I 2017/10/17 Ken	DWG. S.Hamada DATE 2014/04/08
1	Z150461	S.H 2015/05/01 Tom	CHK. K.Yotsutani DATE 2014/04/08
0	Z140314	S.H 2014/04/07	APP. T.Takano DATE 2014/04/08

REV.	ECN	BY	DATE	APP.	PROJECTION	SERIES No.	TITLE	SCALE	UNIT	SIZE
					⊕	R0	MHF® 4 RECEPTACLE HIGH CYCLE SMA ADAPTER	3:1	mm	A3

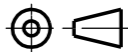
  

REVISION RECORD	REVISION RECORD	REVISION RECORD	REVISION RECORD	REVISION RECORD	REVISION RECORD	REVISION RECORD	REVISION RECORD

SHEET	REV.
1/2	5

ITEMS	SPECIFICATION
RECOMMENDED APPLICABLE CONNECTOR PART No.	RECEPTACLE:20449-001E-**, 20579-001E-**
RATING FREQUENCY	DC~12 GHz
OPERATING TEMPERATURE	233~358 K (-30°C~+70°C)
VSWR	1.3 MAX. (DC~3GHz), 1.5 MAX. (3~6GHz), 2.0 MAX. (6~12GHz)
INSERTION LOSS	-0.8dB MIN. (DC~6GHz), -1.0dB MIN. (6~12GHz)
INSULATION RESISTANCE	500 Mohm MIN.
DIELECTRIC WITHSTANDING VOLTAGE	AC 300V 1min
DURABILITY	10.000CYCLES
PRODUCT SPECIFICATION	PRS-2085
TEST REPORT	TR-15037

ANGLE	±2°	6 OVER 30 MAX.	±0.3	PROJECTION 	SERIES No. <b>R0</b>	CUSTOMER COPY
6 MAX.	±0.2	30 OVER 120 MAX.	±0.5			
GENERAL TOLERANCE.				TITLE <b>MHF® 4 RECEPTACLE HIGH CYCLE SMA ADAPTER</b>	SCALE -	UNIT <b>mm</b>
DWG.	DATE		DWG. No. <b>90698</b>			
CHK.	DATE					
APP.	DATE					
				SIZE <b>A3</b>	SHEET <b>2/2</b>	REV. <b>4</b>