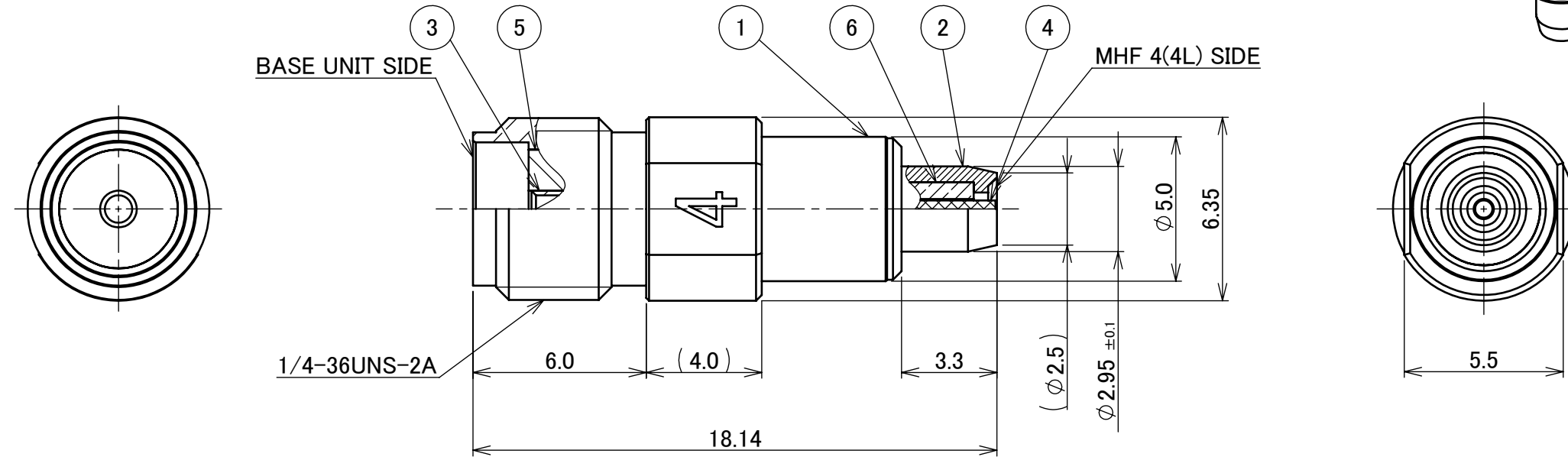
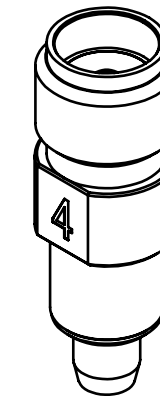


PART NO.
90683-0001

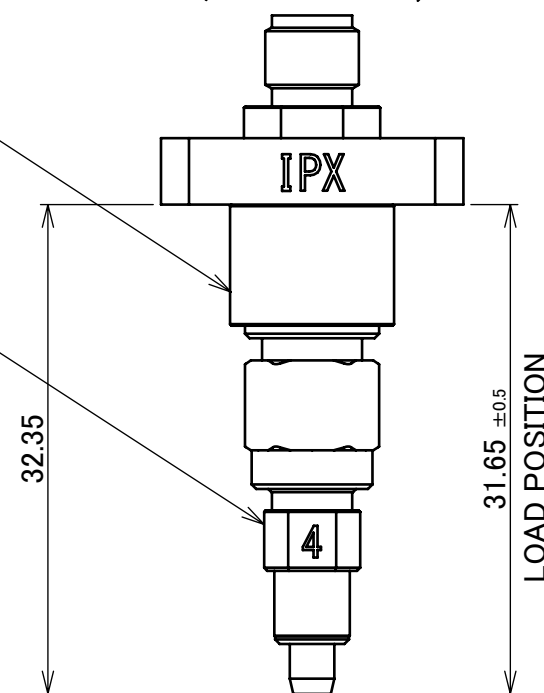


【RECOMMEND LOAD POSITION】

FLOATING AMOUNT X.Y ±0.1mm

MHF SERIES
HIGH CYCLE
SMA ADAPTER BASE UNIT
PART No. 90684-0001

MHF 4(4L) RECEPTACLE
HIGH CYCLE ATTACHMENT
PART No. 90683-0001



NO.	DESCRIPTION	MATERIAL	FINISH, REMARKS
6	INSULATOR B	PTFE	
5	INSULATOR A	PTFE	
4	PIN CONTACT	BRASS	Au 1.0 μm MIN. OVER Ni 1.0 μm MIN.
3	SOCKET CONTACT	BERYLLIUM COPPER	Au 1.0 μm MIN. OVER Ni 1.0 μm MIN.
2	MHF 4 SIDE SHELL	STAINLESS STEEL	Au 1.0 μm MIN. OVER Ni 1.0 μm MIN.
1	SMA JACK SHELL	STAINLESS STEEL	PASSIVATION

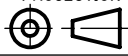
NO.	DESCRIPTION	MATERIAL	FINISH, REMARKS
2	Z220687	Y.I	2022/06/17
1	Z190706	K.I	2019/05/27
0	Z140296	Y.H	2014/04/04

REV.	ECN	BY	DATE	APP.	APP.
					T.Takano

ANGLE	±2°	6 OVER 30 MAX.	±0.3
		6 MAX. ±0.2	30 OVER 120 MAX. ±0.5
GENERAL TOLERANCE.			
DWG.	Y.Hashimoto	DATE	2014/04/04
CHK.	K.Yotsutani		
DWG. No.	90683		

PROJECTION	SERIES No.	CUSTOMER COPY
	R0	
TITLE	SCALE	I-PEX
MHF® 4(4L) RECEPTACLE	5:1	
HIGH CYCLE ATTACHMENT	UNIT	
	mm	
SIZE	SHEET	REV.
A3	1/2	2

ITEMS	SPECIFICATION
RECOMMENDED APPLICABLE CONNECTOR PART No.	MHF 4 RECEPTACLE P/N : 20449-001E-** MHF 4L RECEPTACLE P/N: 20579-001E-**
BASE UNIT PART No.	MHF SERIES HIGH CYCLE SMA ADAPTER BASE UNIT P/N : 90684-0001
RATING FREQUENCY	DC~12 GHz
OPERATING TEMPERATURE	243~343 K (-30°C~+70°C)
VSWR (MATED WITH 90449-001 AND 90684-0001)	1.20 MAX. AT 0.1~6GHz, 1.35 MAX. AT 6~12GHz
INSULATION RESISTANCE	500 Mohm MIN.
DIELECTRIC WITHSTANDING VOLTAGE	AC 300V 1min
DURABILITY	10,000CYCLES
PRODUCT SPECIFICATION	PRS-2009
TEST REPORT	TR-14101
INSTRUCTION MANUAL	HIM-14021
APPEARANCE CRITERIA No.	QLS-A***

ANGLE	±2°	6 OVER 30 MAX.	±0.3	PROJECTION 	SERIES No. R0	CUSTOMER COPY		
6 MAX.	±0.2	30 OVER 120 MAX.	±0.5					
GENERAL TOLERANCE.				TITLE MHF® 4(4L) RECEPTACLE HIGH CYCLE ATTACHMENT	DWG. No. 90683	SCALE	I-PEX	
DWG.	DATE					UNIT		
CHK.						mm		
APP.						SIZE SHEET REV.		
						A3	2/2	2