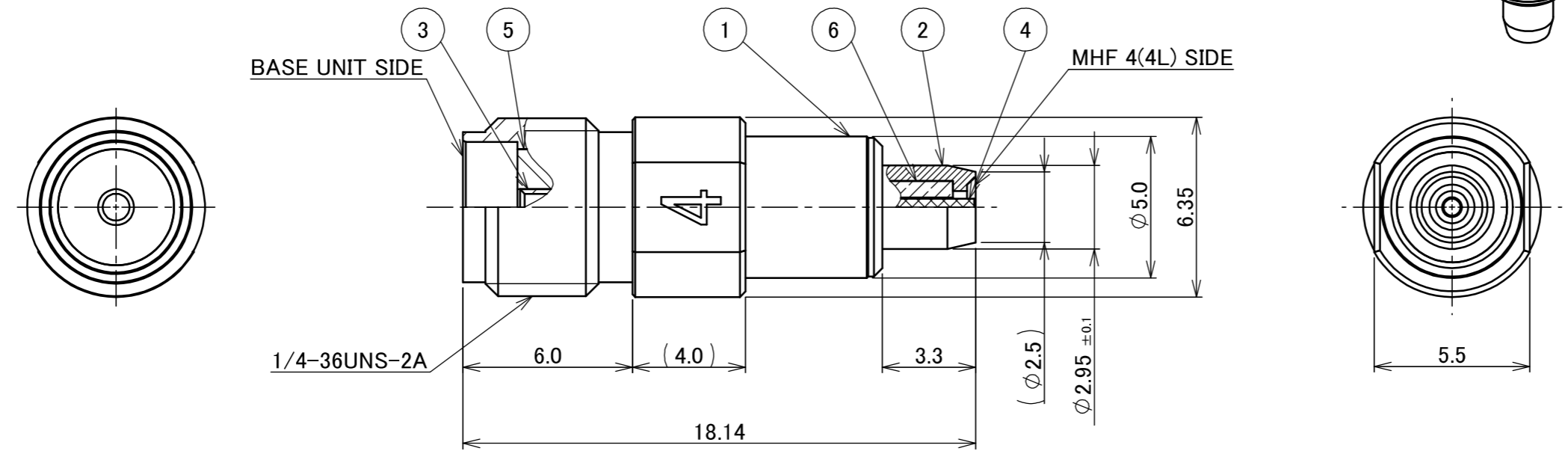


PART NO.
90683-0001

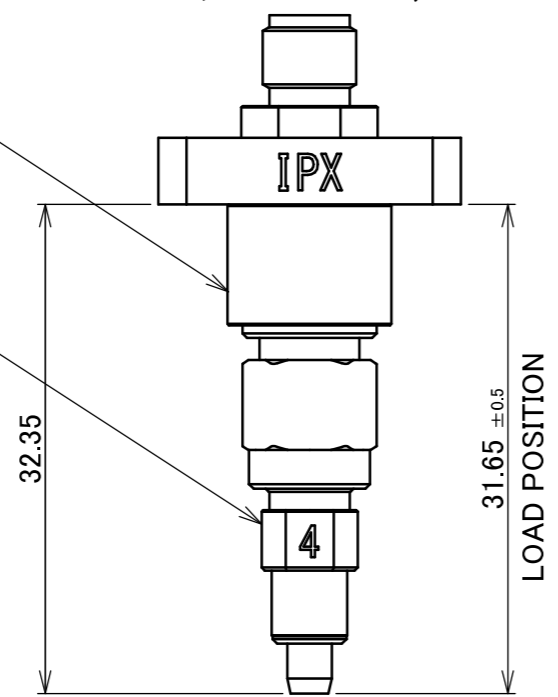


【RECOMMEND LOAD POSITION】

FLOATING AMOUNT X.Y ±0.1mm

MHF SERIES
HIGH CYCLE
SMA ADAPTER BASE UNIT
PART No. 90684-0001

MHF 4(4L) RECEPTACLE
HIGH CYCLE ATTACHMENT
PART No. 90683-0001



NO.	DESCRIPTION	MATERIAL	FINISH, REMARKS
6	INSULATOR B	PTFE	
5	INSULATOR A	PTFE	
4	PIN CONTACT	BRASS	Au 1.0 μm MIN. OVER Ni 1.0 μm MIN.
3	SOCKET CONTACT	BERYLLIUM COPPER	Au 1.0 μm MIN. OVER Ni 1.0 μm MIN.
2	MHF 4 SIDE SHELL	STAINLESS STEEL	Au 1.0 μm MIN. OVER Ni 1.0 μm MIN.
1	SMA JACK SHELL	STAINLESS STEEL	PASSIVATION

NO.	DESCRIPTION	MATERIAL	FINISH, REMARKS				
		ANGLE ±2° 6 OVER 30 MAX. ±0.3	PROJECTION SERIES No. R0				
		6 MAX. ±0.2 30 OVER 120 MAX. ±0.5	CUSTOMER COPY				
GENERAL TOLERANCE.							
2	Z220687	Y.I 2022/06/17 Y.H	TITLE MHF® 4(4L) RECEPTACLE HIGH CYCLE ATTACHMENT SCALE 5:1 UNIT mm SIZE A3 SHEET 1/2 REV. 2				
1	Z190706	K.I 2019/05/27 Y.H					
0	Z140296	Y.H 2014/04/04					
REV.	ECN	BY	DATE	APP.	CHK.	APP.	DWG. No. 90683
REVISION RECORD						T.Takano	

ITEMS	SPECIFICATION
RECOMMENDED APPLICABLE CONNECTOR PART No.	MHF 4 RECEPTACLE P/N : 20449-001E-** MHF 4L RECEPTACLE P/N: 20579-001E-**
BASE UNIT PART No.	MHF SERIES HIGH CYCLE SMA ADAPTER BASE UNIT P/N : 90684-0001
RATING FREQUENCY	DC~12 GHz
OPERATING TEMPERATURE	243~343 K (-30°C~+70°C)
VSWR (MATED WITH 90449-001 AND 90684-0001)	1.20 MAX. AT 0.1~6GHz, 1.35 MAX. AT 6~12GHz
INSULATION RESISTANCE	500 Mohm MIN.
DIELECTRIC WITHSTANDING VOLTAGE	AC 300V 1min
DURABILITY	10,000CYCLES
PRODUCT SPECIFICATION	PRS-2009
TEST REPORT	TR-14101
INSTRUCTION MANUAL	HIM-14021
APPEARANCE CRITERIA No.	QLS-A***

ANGLE	±2°	6 OVER 30 MAX.	±0.3	PROJECTION 	SERIES No. R0	CUSTOMER COPY		
6 MAX.	±0.2	30 OVER 120 MAX.	±0.5					
GENERAL TOLERANCE.				TITLE MHF® 4(4L) RECEPTACLE HIGH CYCLE ATTACHMENT	SCALE -	I-PEX		
DWG.	DATE							
CHK.								
APP.								
				DWG. No.	90683	SIZE A3	SHEET 2/2	REV. 2