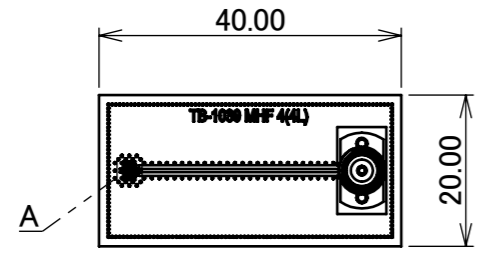
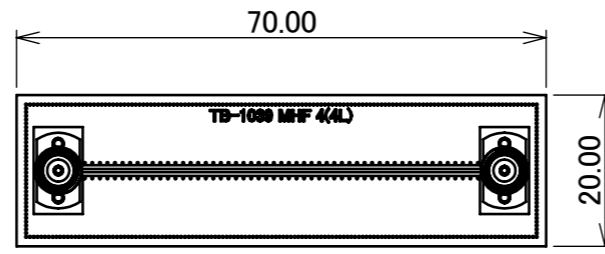


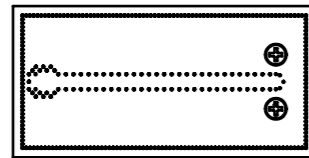
PART No.	STRUCTURE
91602-001B-001	TEST BOARD ASSEMBLY: 2PCS. THRU BOARD ASSEMBLY: 1PC.



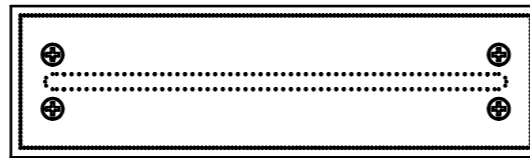
TEST BOARD ASSEMBLY (TOP)



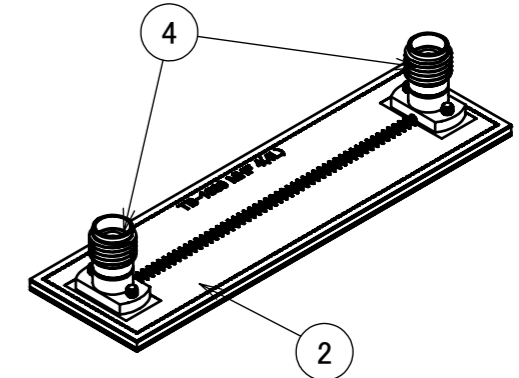
THRU BOARD ASSEMBLY (TOP)



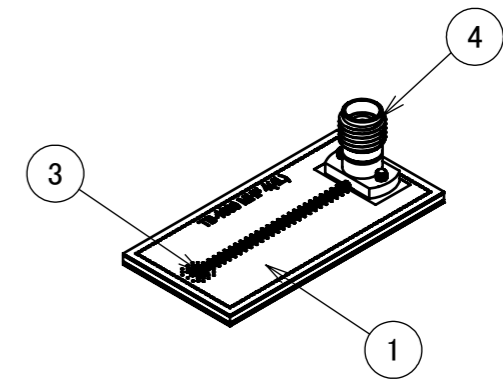
TEST BOARD ASSEMBLY (BOTTOM)



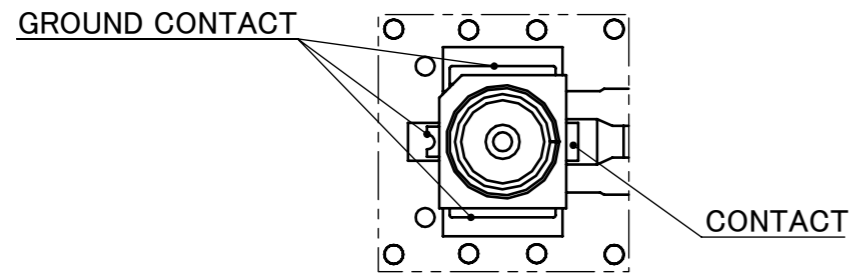
THRU BOARD ASSEMBLY (BOTTOM)



THRU BOARD ASSEMBLY



TEST BOARD ASSEMBLY



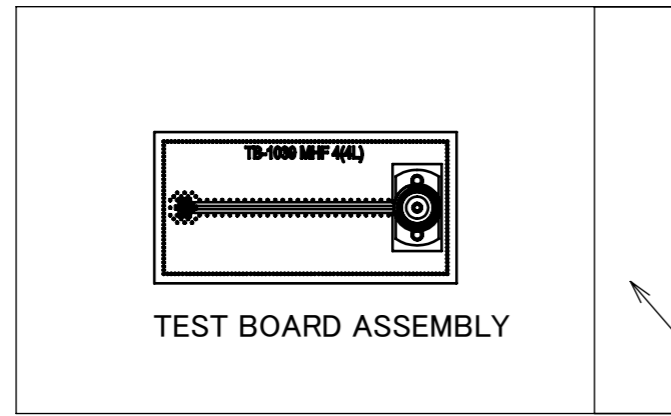
DETAIL A
S= 10 : 1

NOTE

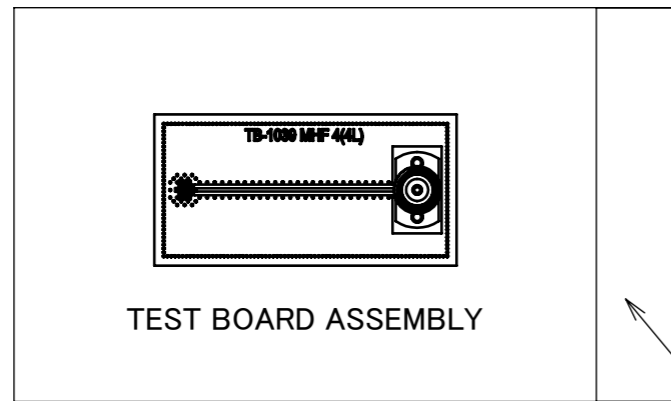
- FOR DETAILED INFORMATION ON THE STRUCTURE OF TEST BOARD TB-1039, REFER TO REPORT #IER-001-10707.
- CHARACTERISTIC IMPEDANCE: 50 Ω (SINGLE-ENDED).
- MAXIMUM MEASUREMENT FREQUENCY: 12 GHz

4	2.92mm CONNECTOR	50105-J001	4	JACK
3	CONNECTOR	20579-001E	2	MHF 4L RECEPTACLE
2	THRU BOARD	TB-1039	1	BOARD THICKNESS : 1.76mm
1	TEST BOARD	TB-1039	2	BOARD THICKNESS : 1.76mm
No.	DESCRIPTION	PART No.	QTY.	REMARK

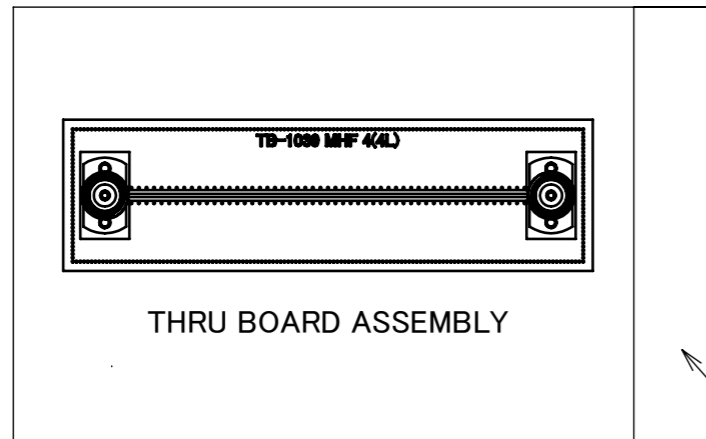
ANGLE $\pm 2^\circ$ 6 OVER 30 MAX. ± 0.3 6 MAX. ± 0.2 30 OVER 120 MAX. ± 0.5					PROJECTION 	SERIES No. R1R1R0	CUSTOMER COPY		
GENERAL TOLERANCE.					TITLE MHF® 4L SI TEST BOARD ASSEMBLY		SCALE 1:1		
0	Z241155	TOI	2024/08/29	DWG. M.Toida DATE 2024/08/29 CHK. - APP. K.Yufu	DWG. No. 91602	UNIT mm	SHEET 1/2		REV. 0
REVISION RECORD					DWG. No. 91602		SIZE A3	SHEET 1/2	REV. 0



<SMALL BAG>
REUSABLE PLASTIC BAG

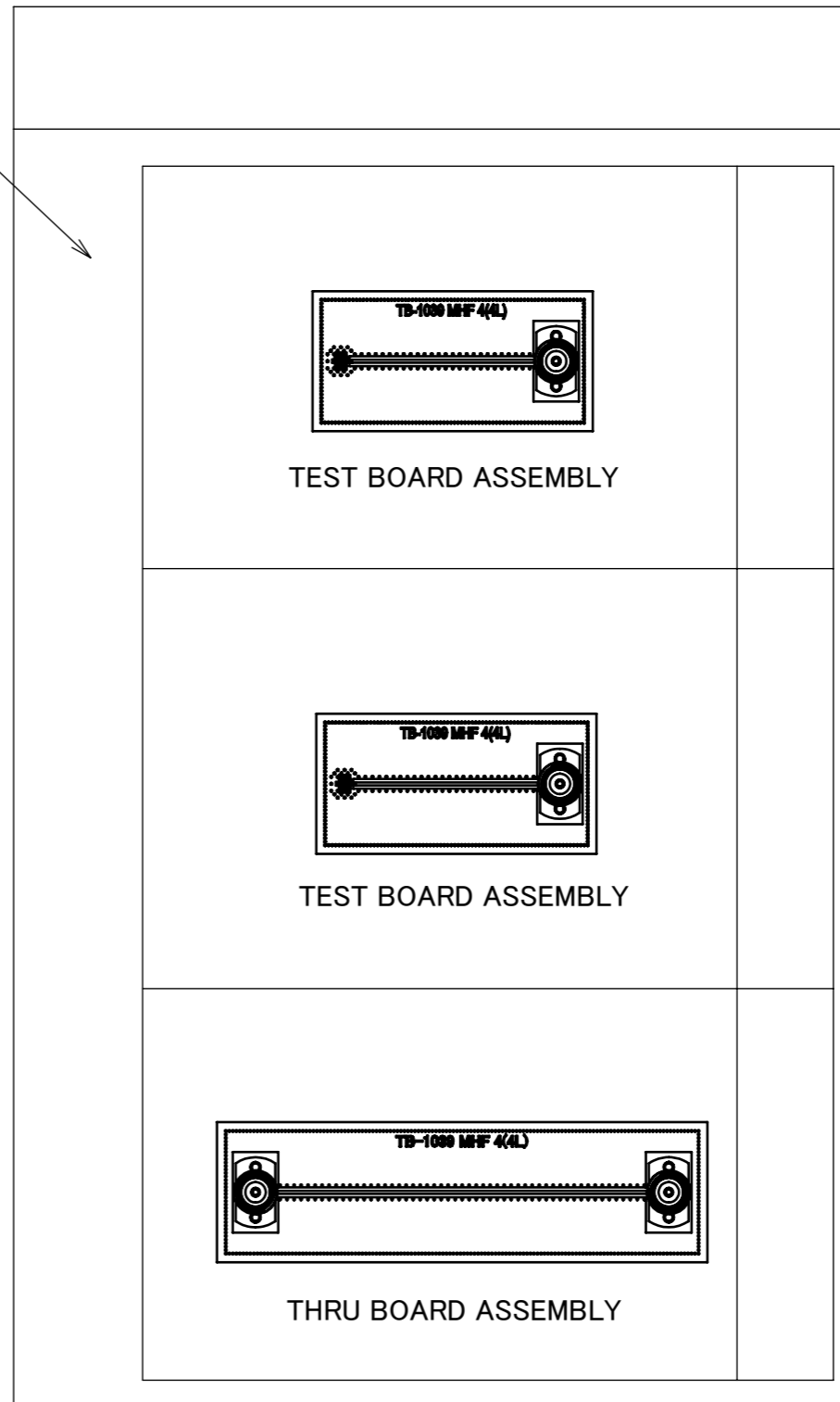


<SMALL BAG>
REUSABLE PLASTIC BAG



<SMALL BAG>
REUSABLE PLASTIC BAG

<LARGE BAG>
REUSABLE PLASTIC BAG



PACKING STYLE

ANGLE	±2°	6 OVER 30 MAX.	±0.3	PROJECTION ⊕	SERIES No. R1R1R0	CUSTOMER COPY		
6 MAX.	±0.2	30 OVER 120 MAX.	±0.5					
GENERAL TOLERANCE.				TITLE MHF® 4L SI TEST BOARD ASSEMBLY	SCALE 1:1 UNIT mm	I-PEX		
DWG.	DATE							
CHK.								
APP.								
				DWG. No.	91602	SIZE A3	SHEET 2/2	REV. 0