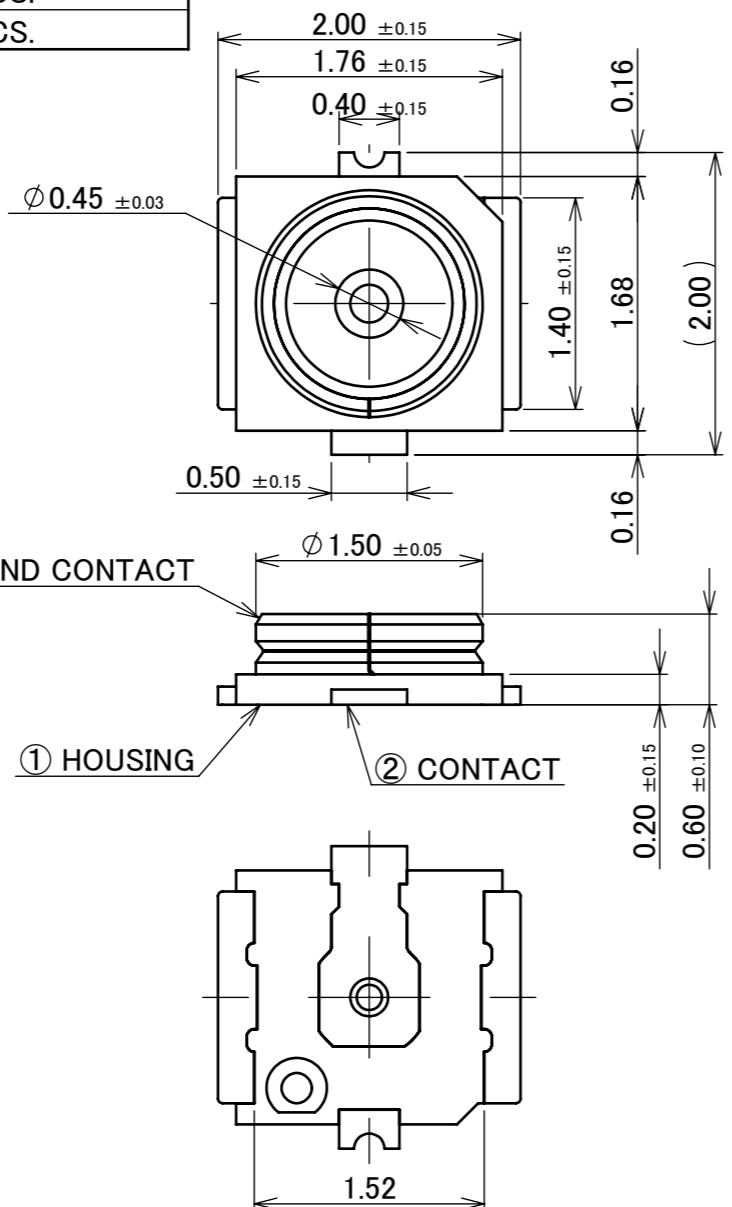
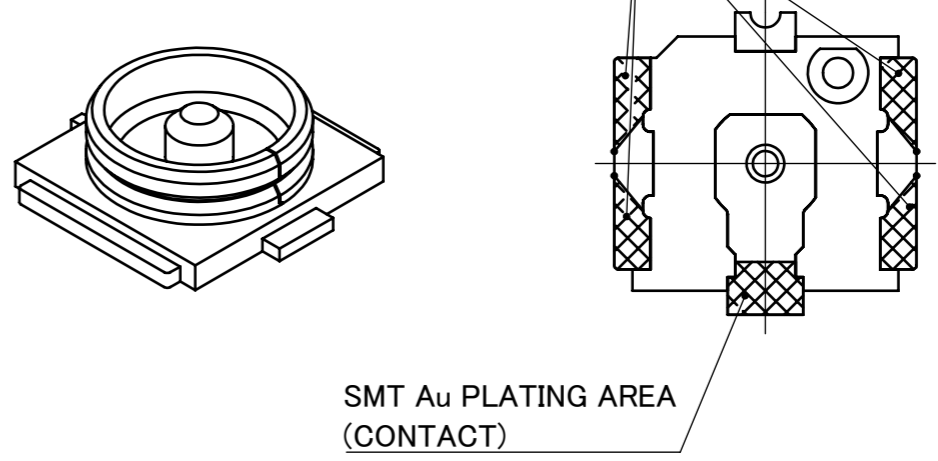


Recommended P/N 20579-001E

PART NO.	PACKING QUANTITY / REEL
20579-001E	10,000 PCS.
20579-001E-01	20,000 PCS.



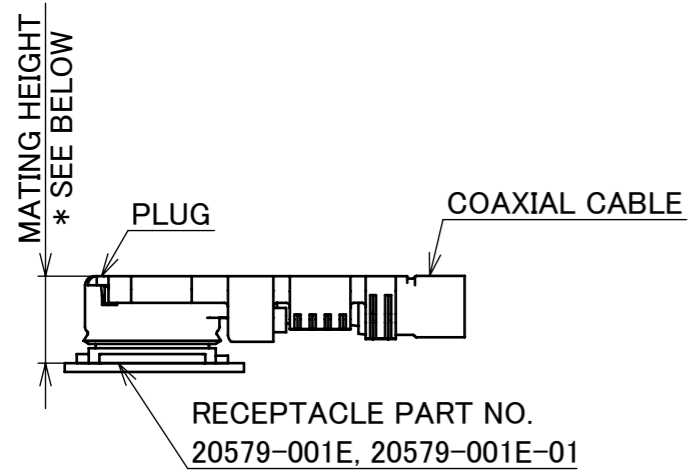
SMT Au PLATING AREA (GROUND CONTACT)



SMT Au PLATING AREA (CONTACT)

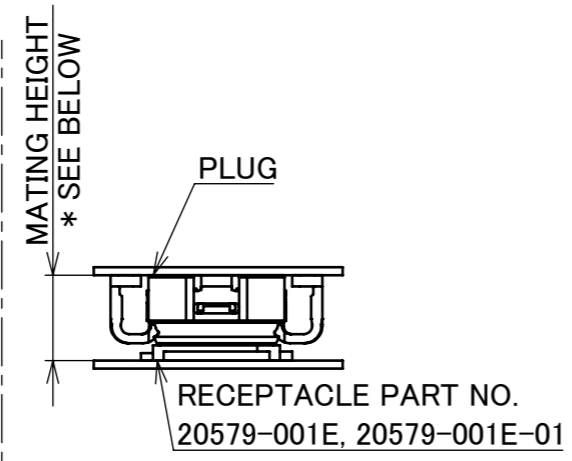
NOTES.

- APPLICABLE CONNECTOR (CABLE SIZE)
 MHF 4 PLUG: 20611-001R (Φ0.81), 20448-00*R-081 (Φ0.81), 20448-001R-081E (Φ0.81)
 MHF 4L PLUG: 20572-001R-08 (Φ0.64, Φ0.81), 20565-001R-** (Φ0.83, Φ0.95, Φ1.13), 20632-001R-37 (Φ1.37)
 MHF 4 SMT PUG: 20462-001E
- COPLANARITY: 0.1 mm MAX.



* MATING HEIGHT
 1.2 MAX. WITH 20611-001R, 20572-001R-08, 20448-00*R-081, 20448-001R-081E
 1.4 MAX. WITH 20565-001R-**
 1.7 MAX. WITH 20632-001R-37

MATING CONDITION
 WITH MHF 4/MHF 4L PLUG
 (S = 10/1)



* MATING HEIGHT
 1.2 MAX. WITH 20462-001E

MATING CONDITION
 WITH MHF 4 SMT
 (S = 10/1)

NO.	DESCRIPTION	MATERIAL	FINISH, REMARKS
3	GROUND CONTACT	PHOSPHOR BRONZE	ALL OVER Ni 1.00 μm MIN. CONTACT PART: Au 0.05 μm MIN., SOLDERING PART Au AREA: 0.03 μm MIN.
2	CONTACT	BRASS	ALL OVER Ni 1.00 μm MIN. CONTACT PART: Au 0.05 μm MIN. SOLDERING PART Au AREA: 0.03 μm MIN.
1	HOUSING	LCP	UL94V-0, BLACK

8	Z190288	SEI	2019/02/28	TAK	ANGLE	±2°	6 OVER 30 MAX.	±0.3	PROJECTION ⊕	SERIES No. R1	CUSTOMER COPY
7	Z181544	Y.I	2018/11/27	Ken	6 MAX.	±0.2	30 OVER 120 MAX.	±0.5			
6	Z181449	Y.I	2018/11/07	Ken	GENERAL TOLERANCE.				TITLE MHF® 4L RECEPTACLE	SCALE 20:1	UNIT mm
5	Z171402	M.N	2017/12/01	Ken	DWG.	DATE		2014/09/22			
4	Z171330	M.N	2017/11/15	Ken	K.Hashiba	DATE					
3	Z170882	M.N	2017/08/02	Tom	CHK.	DATE		2014/09/22	DWG. No. 20579	SIZE A3	SHEET 1/7 REV. 8
REV.	ECN	BY	DATE	APP.	APP.	DATE		2014/09/22			
REVISION RECORD					T.Takano		2014/09/22				

FOR MHF 4L PLUG

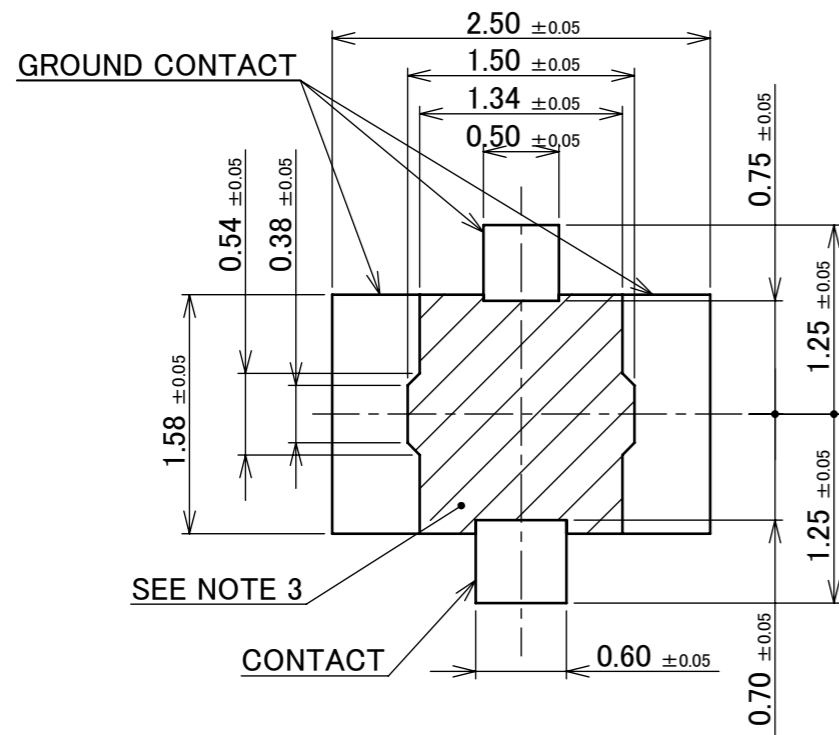
ITEMS	SPECIFICATION	
APPLICABLE CONNECTOR PART No.	20572-001R-08 (CABLE Φ0.81 TYPE)	20565-001E-13 (CABLE Φ1.13 TYPE)
RATING VOLTAGE	60 V AC (R.M.S)/DC	
RATING FREQUENCY	DC ~ 6GHz	
OPERATING TEMPERATURE	233~363 K(-40°C~+90°C)	
VSWR	1.3 MAX. AT DC~3GHz, 1.4 MAX. AT 3~6GHz, 1.85 MAX. AT 3~12GHz	
MAIN CONTACT RESISTANCE	INITIAL : 20 mohm MAX. / AFTER TEST : ΔR 20 mohm MAX.	
GROUND CONTACT RESISTANCE	INITIAL : 20 mohm MAX. / AFTER TEST : ΔR 20 mohm MAX.	
INSULATION RESISTANCE	INITIAL : 500 Mohm MIN. / AFTER TEST : 100 Mohm MIN.	
DIELECTRIC WITHSTANDING VOLTAGE	200 V AC 1 MINUTE	
DURABILITY	30 CYCLES	
MATING FORCE (INITIAL / AFTER TEST)	INITIAL : 30 N MAX. / AFTER TEST : 30 N MAX.	
UNMATING FORCE (INITIAL / AFTER TEST)	INITIAL : 20 N MAX. 5 N MIN. / AFTER TEST : 20 N MAX. 3 N MIN.	
PRODUCT SPECIFICATION	PRS-1907	
TEST REPORT	TR-14097	
PACKING STANDARD	20579-001E: PST-14004 20579-001E-01: PST-14067	
INSTRUCTION MANUAL	HIM-12011	HIM-12012

ANGLE	±2°	6 OVER 30 MAX.	±0.3	PROJECTION 	SERIES No. R1	CUSTOMER COPY
	6 MAX.	±0.2	30 OVER 120 MAX.			
GENERAL TOLERANCE.				TITLE MHF® 4L RECEPTACLE	SCALE -	UNIT mm
DWG.	DATE					
CHK.	DATE					
APP.	DATE					
				DWG. No.	20579	SIZE A3
				SHEET	2/7	REV. 8

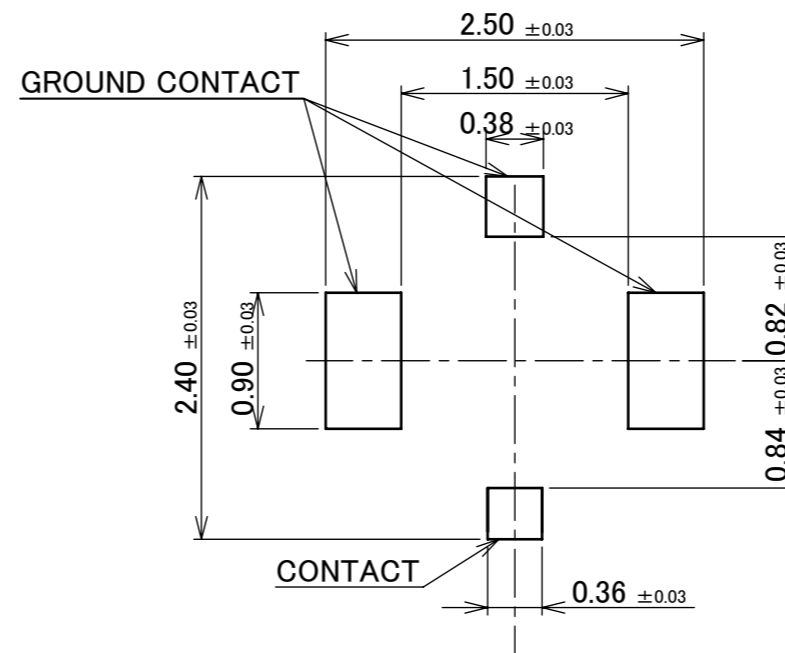
FOR MHF 4 SMT PLUG

ITEMS	SPECIFICATION
APPLICABLE CONNECTOR PART No.	20462-001E (MHF 4 SMT PLUG)
RATING VOLTAGE	60 V AC (R.M.S)/DC
RATING FREQUENCY	DC~6GHz
OPERATING TEMPERATURE	233~363 K(-40°C~+90°C)
VSWR	1.3 MAX. AT DC~3GHz, 1.4 MAX. AT 3~6GHz, 1.85 MAX. AT 3~12GHz
MAIN CONTACT RESISTANCE	INITIAL : 20 mohm MAX. / AFTER TEST : Δ R 20 mohm MAX.
GROUND CONTACT RESISTANCE	INITIAL : 20 mohm MAX. / AFTER TEST : Δ R 20 mohm MAX.
INSULATION RESISTANCE	INITIAL : 500 Mohm MIN. AFTER TEST : 100 Mohm MIN.
DIELECTRIC WITHSTANDING VOLTAGE	200 V AC 1 MINUTE
DURABILITY	30 CYCLES
MATING FORCE (INITIAL / AFTER TEST)	INITIAL : 30 N MAX. / AFTER TEST : 15 N MAX.
UNMATING FORCE (INITIAL / AFTER TEST)	INITIAL : 4 N MIN. / AFTER TEST : 2 N MIN.
PRODUCT SPECIFICATION	PRS-1404
TEST REPORT	TR-08022
PACKING STANDARD	20579-001E: PST-14004 20579-001E-01: PST-14067

ANGLE	$\pm 2^\circ$	6 OVER 30 MAX.	± 0.3	PROJECTION 	SERIES No. R1	CUSTOMER COPY	
6 MAX.	± 0.2	30 OVER 120 MAX.	± 0.5				
GENERAL TOLERANCE.				TITLE MHF [®] 4L RECEPTACLE	SCALE -	UNIT mm	
DWG.	DATE						
CHK.	DATE						
APP.	DATE						
				DWG. No.	20579	SIZE A3	
						SHEET 3/7	REV. 8

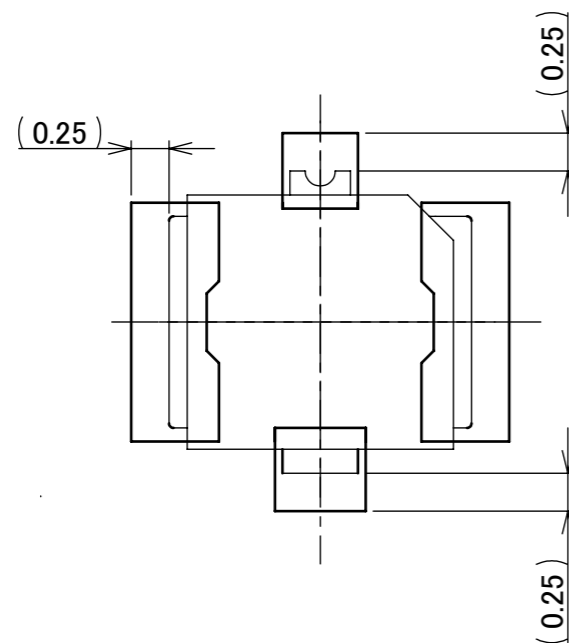


RECOMMENDED FOOTPRINT PATTERN

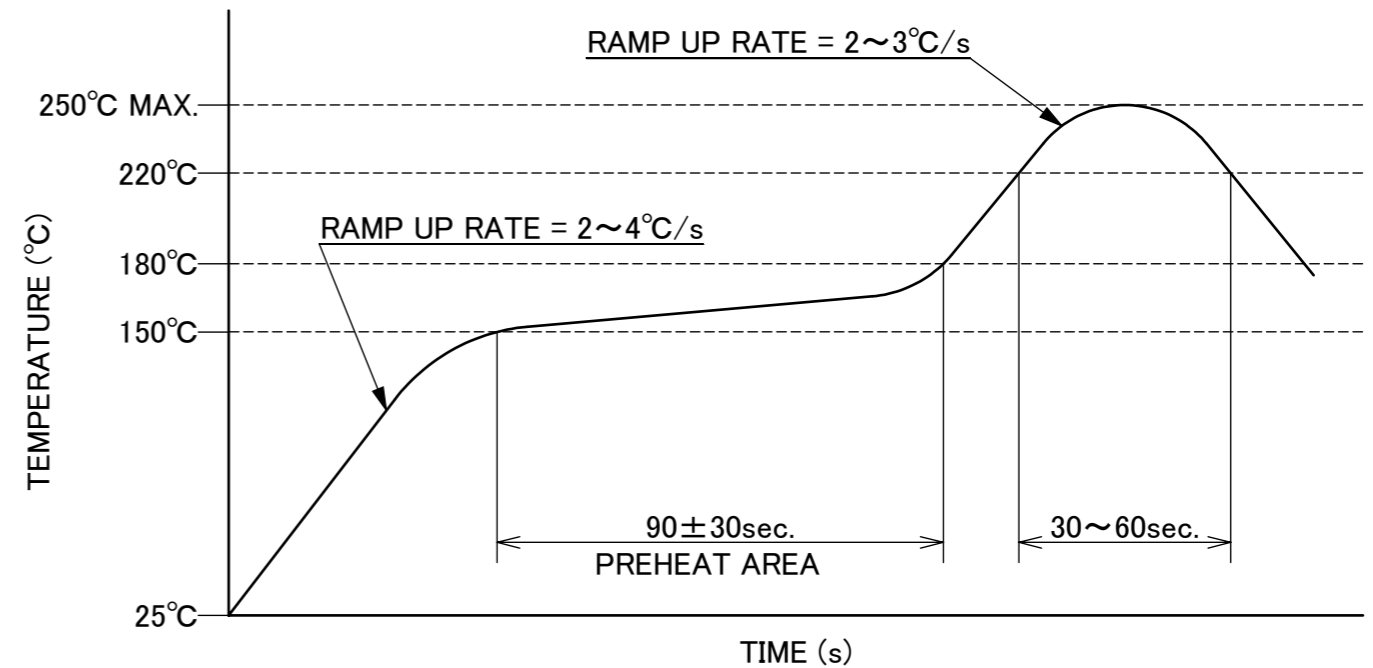


MASK THICKNESS: 0.12 mm

RECOMMENDED METAL MASK LAYOUT



CONNECTOR ON RECOMMENDED FOOTPRINT PATTERN

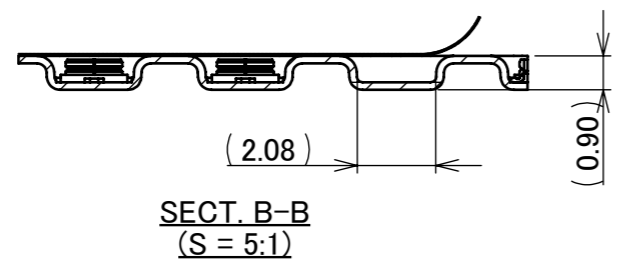
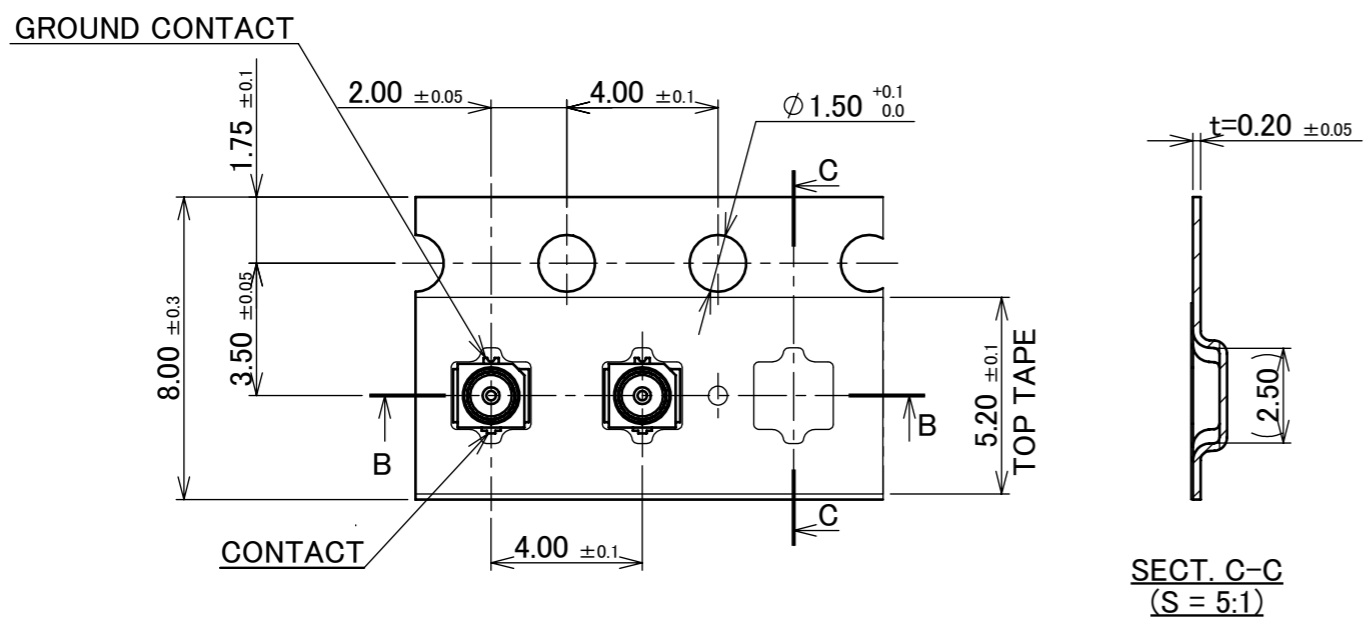
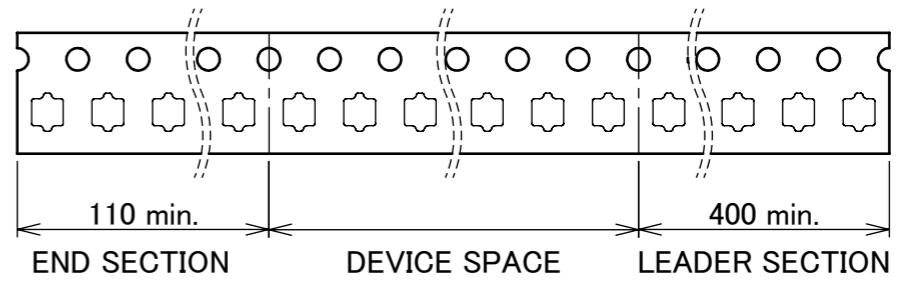
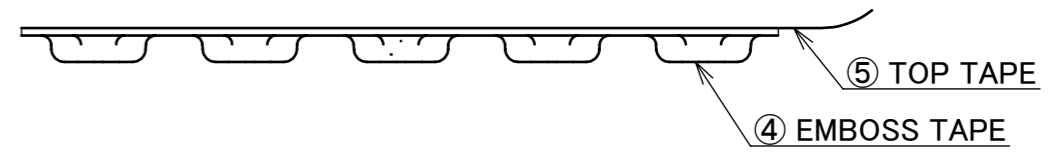
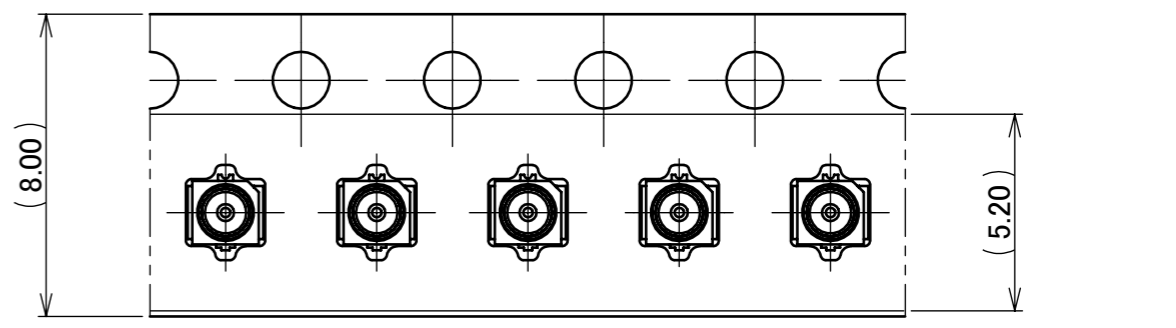
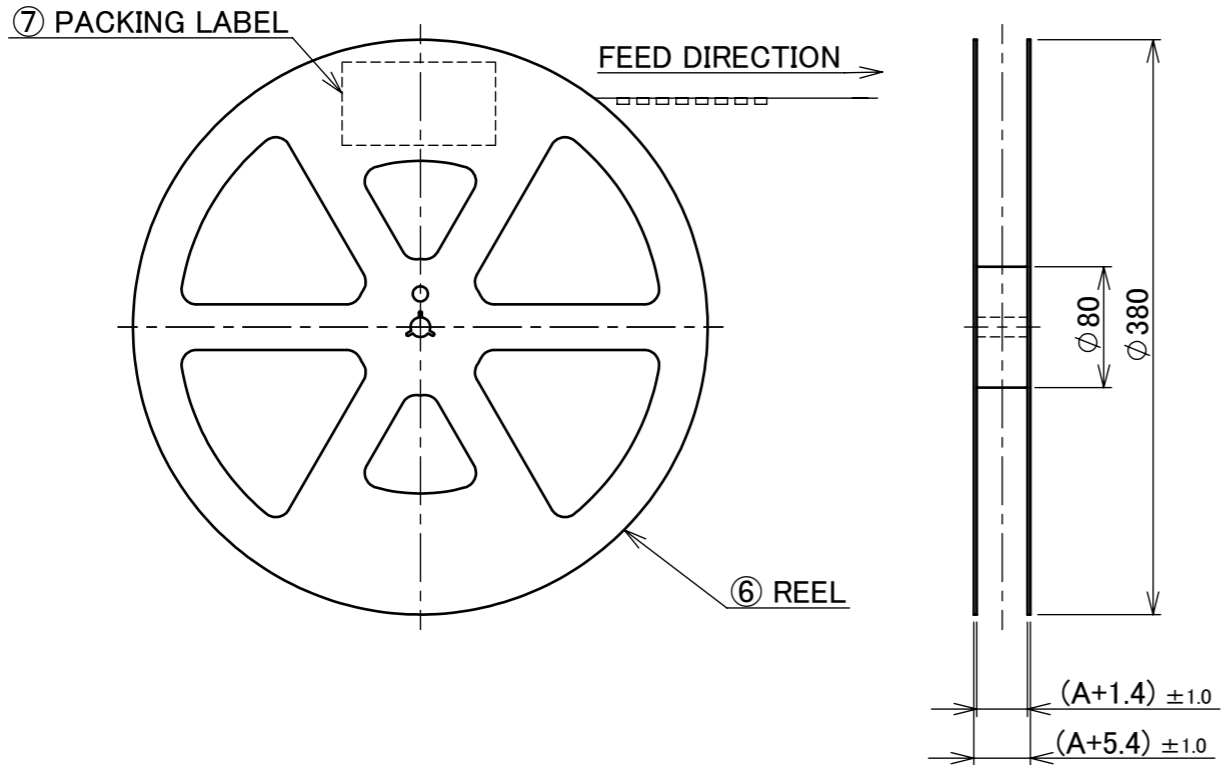


REFLOW TEMPERATURE PROFILE
SENJU METAL INDUSTRY CO., LTD. : M705-SHF(Sn96.5 Ag3.0 Cu0.5)

NOTE 3. CUT OUT PROHIBITION AREA.

ANGLE	±2°	6 OVER 30 MAX.	±0.3	PROJECTION ⊕	SERIES No. R1	CUSTOMER COPY
6 MAX.	±0.2	30 OVER 120 MAX.	±0.5			
GENERAL TOLERANCE.				TITLE MHF® 4L RECEPTACLE	SCALE 20:1	UNIT mm
DWG.	DATE					
CHK.	DATE					
APP.	DATE					
				DWG. No.	20579	SIZE A3
						SHEET 4/7
						REV. 8

PART NO.	A	QTY. PER EMBOSS REEL (PIECES / REEL)	QTY. PER PACKING CARTON (REELS / CARTON)
20579-001E	8	10,000 / REEL	9 REELS/ CARTON = 90,000 PIECES

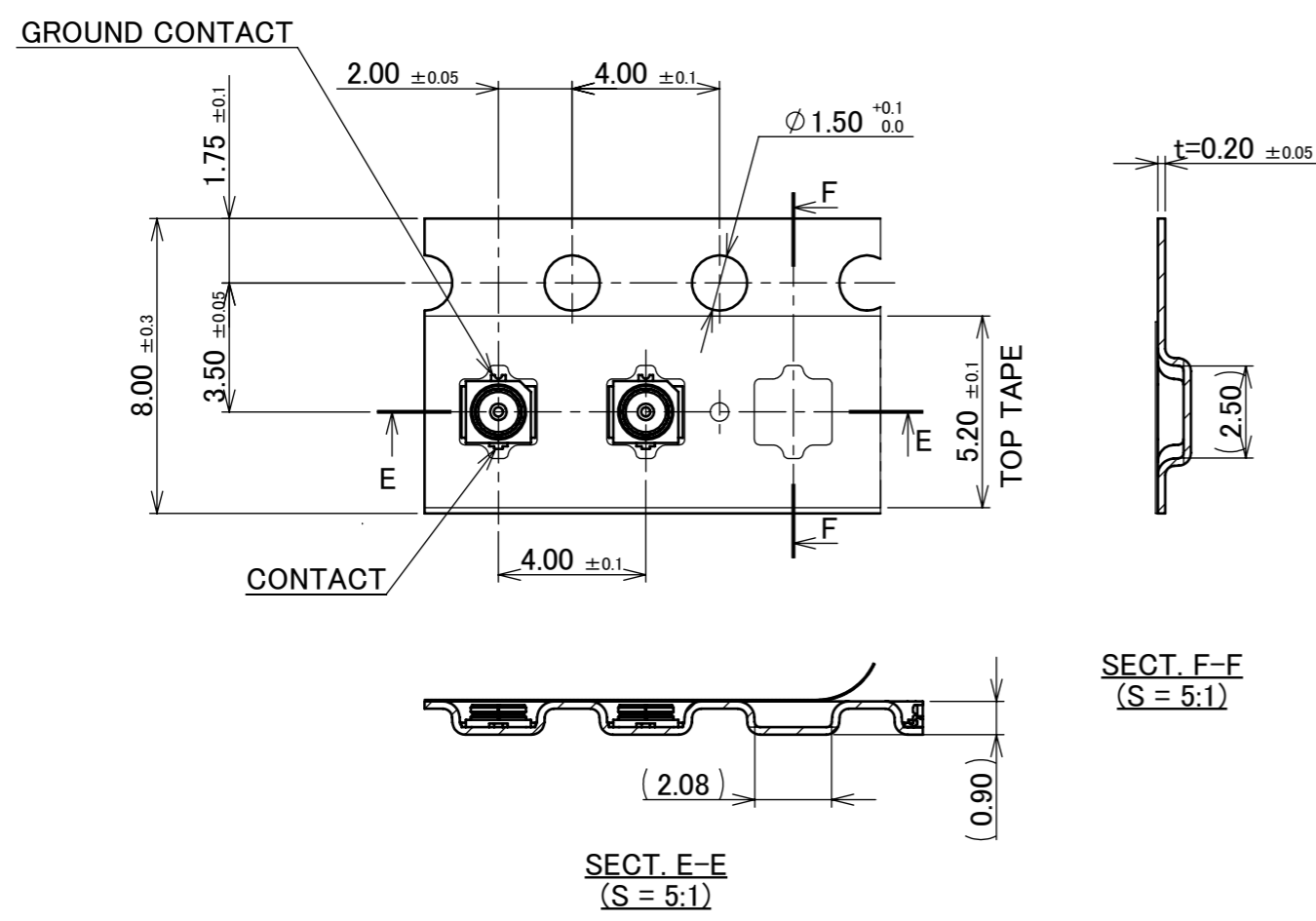
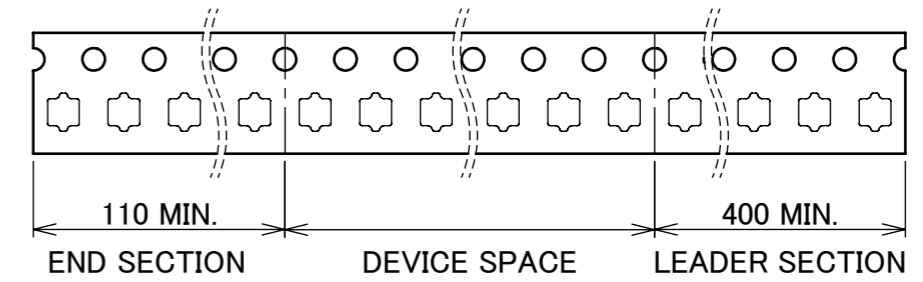
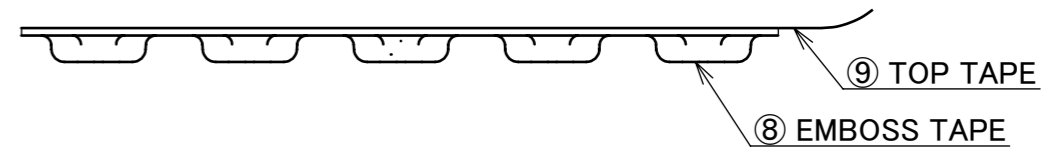
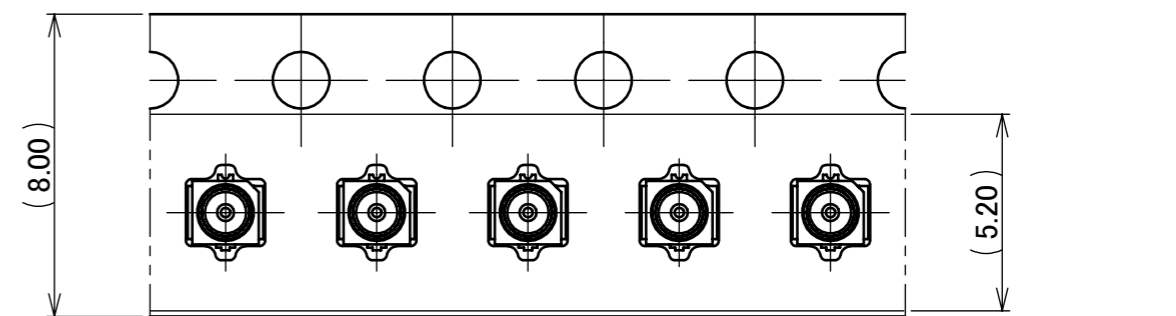
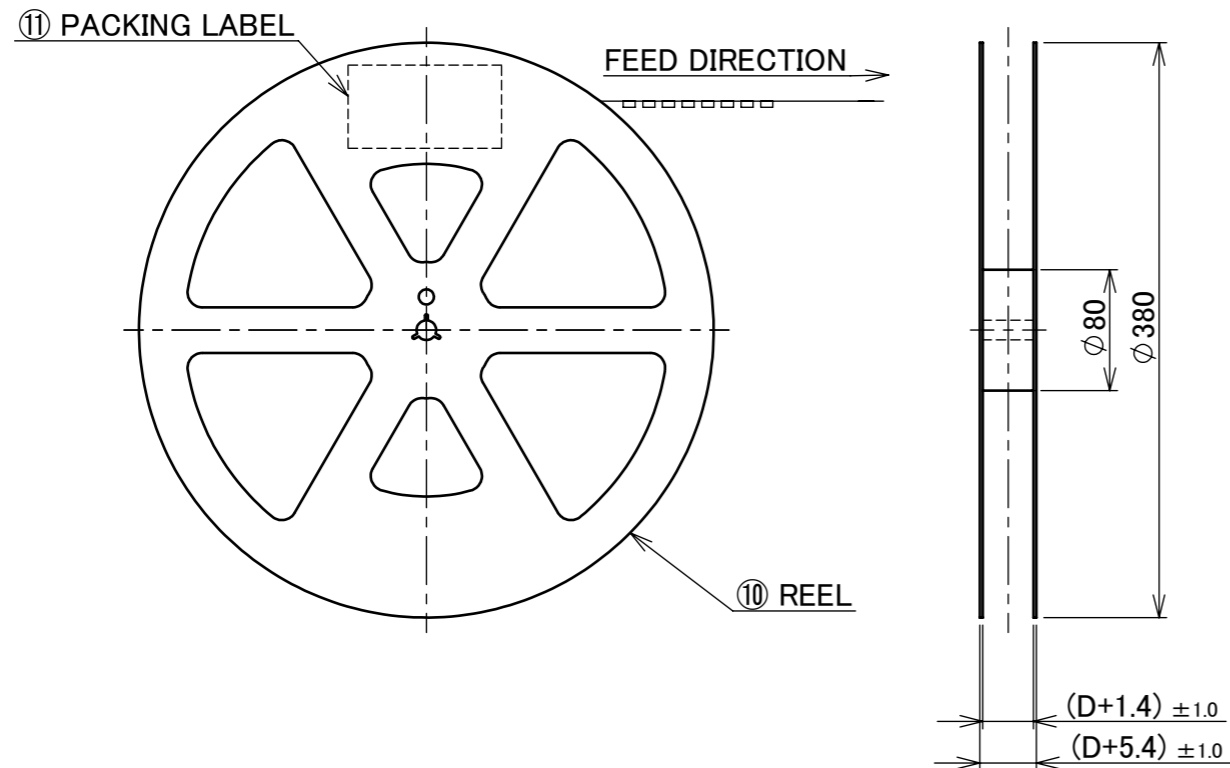


- NOTES.
- TAPING SPECIFICATION FOLLOWS JIS C 0806 (IEC 60286-3).
 - MAKE EMPTY SECTION OF LEADER AND END ON EACH END OF THE TAPE.
 - TOP TAPE SHALL NOT STICK OUT FROM EMBOSS TAPE.
 - TOP TAPE SHALL NOT COVER FEED HOLE.

NO.	DESCRIPTION	MATERIAL	FINISH, REMARKS
7	PACKING LABEL	-	-
6	REEL	PS	ANTI-STATIC TYPE
5	TOP TAPE	PET	ANTI-STATIC TYPE HEAT ACTIVATED
4	EMBOSS TAPE	PS t=0.2	ANTI-STATIC TYPE OR CONDUCTIVE

ANGLE	$\pm 2^\circ$	6 OVER 30 MAX.	± 0.3	PROJECTION	SERIES No.	CUSTOMER COPY
6 MAX.	± 0.2	30 OVER 120 MAX.	± 0.5		R1	
GENERAL TOLERANCE.				TITLE	I-PEX	
DWG.	DATE	MHF [®] 4L RECEPTACLE		SCALE		
CHK.	DATE			-		
APP.	DATE			UNIT		
				DWG. No.	SIZE	SHEET 5/7 REV. 8
				20579	A3	

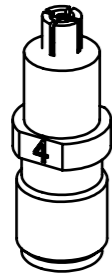
PART NO.	D	QTY. PER EMBOSS REEL (PIECES / REEL)	QTY. PER PACKING CARTON (REELS / CARTON)
20579-001E-01	8	20,000 / REEL	10 REELS/ CARTON = 200,000 PIECES



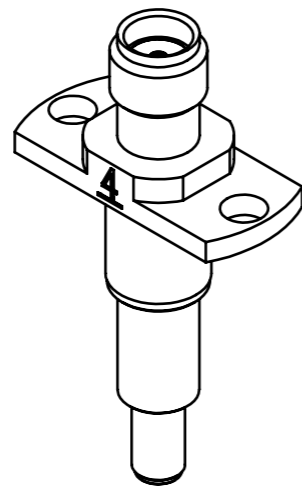
- NOTES.
- TAPING SPECIFICATION FOLLOWS JIS C 0806 (IEC 60286-3).
 - MAKE EMPTY SECTION OF LEADER AND END ON EACH END OF THE TAPE.
 - TOP TAPE SHALL NOT STICK OUT FROM EMBOSS TAPE.
 - TOP TAPE SHALL NOT COVER FEED HOLE.

NO.	DESCRIPTION	MATERIAL	FINISH, REMARKS
11	PACKING LABEL	-	-
10	REEL	PS	ANTI-STATIC TYPE
9	TOP TAPE	PET	ANTI-STATIC TYPE HEAT ACTIVATED
8	EMBOS TAPE	PS t=0.2	ANTI-STATIC TYPE OR CONDUCTIVE

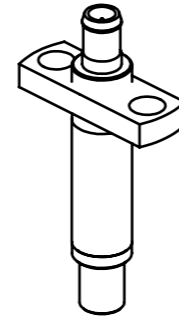
ANGLE	$\pm 2^\circ$	6 OVER 30 MAX.	± 0.3	PROJECTION 	SERIES No. R1	CUSTOMER COPY
	6 MAX.	± 0.2	30 OVER 120 MAX.			
GENERAL TOLERANCE.				TITLE	SCALE	I-PEX
DWG.	DATE			MHF [®] 4L RECEPTACLE	-	
CHK.	DATE				UNIT mm	
APP.	DATE			DWG. No. 20579	SIZE A3	
					SHEET 6/7	REV. 8



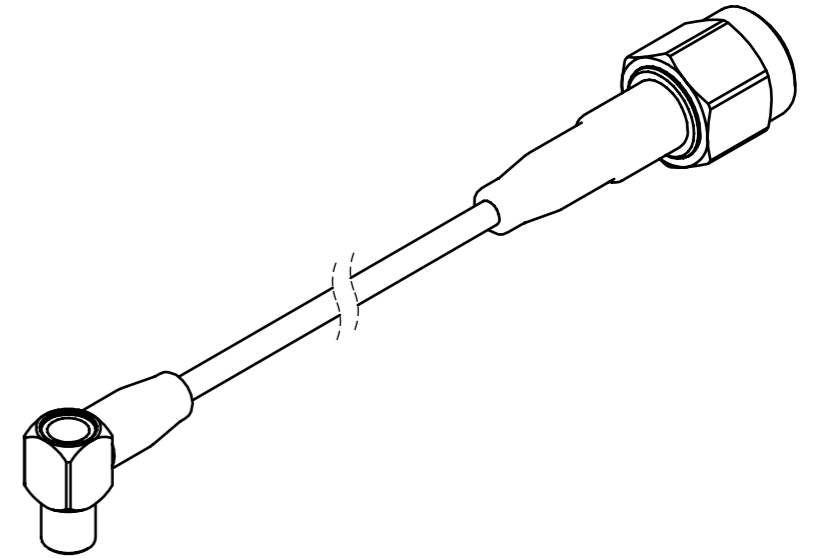
MHF 4 (4L) SMA ADAPTOR
PART NO. 90449-002



MHF 4 SMA ADAPTOR HIGH CYCLE TYPE
PART NO. 90698-0001



MHF 4 RECEPTACLE NARROW PITCH
SMA ADAPTOR HIGH CYCLE TYPE
PART NO. 90576-0001



4.5MM HIGH CYCLE TEST PROBE CABLE ASS'Y
PART NO. 90577-****

* 90576-0001 AND 90577-**** SHOULD BE USED TOGETHER.

ANGLE	±2°	6 OVER 30 MAX.	±0.3	PROJECTION ⊕	SERIES No. R1	CUSTOMER COPY			
6 MAX.	±0.2	30 OVER 120 MAX.	±0.5						
GENERAL TOLERANCE.				TITLE MHF® 4L RECEPTACLE	DWG. No. 20579	SCALE	I-PEX		
DWG.	DATE		2:1						
CHK.	DATE		UNIT mm						
APP.	DATE		SIZE A3						
						SHEET	7/7	REV.	8